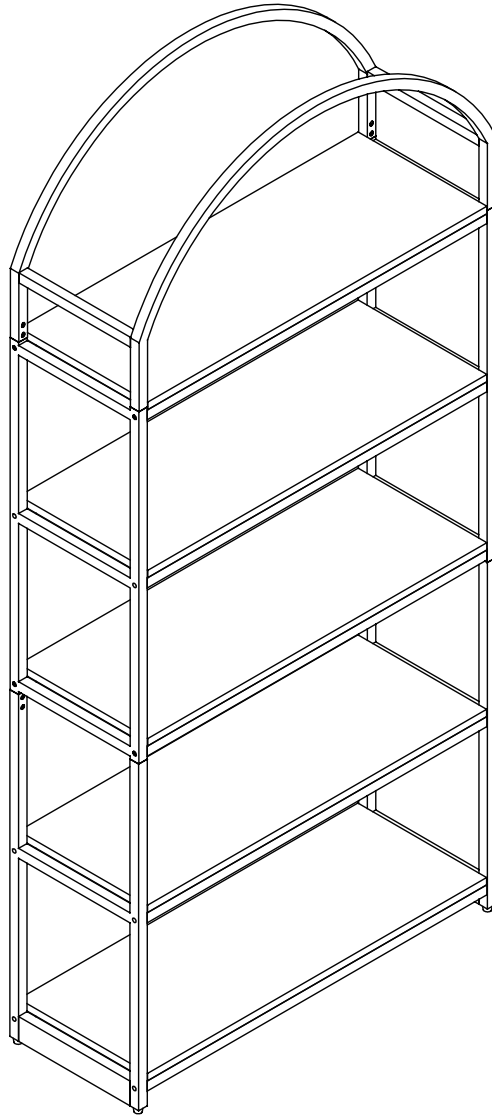


Let's build the

Haven Bookcase

SKU 64004



Scan me!

Inspiration
Digital Instructions
Free Lifetime Warranty

nathan james

Ok, let's get rolling

This should be easy, just follow our instructions and you will be back to Netflix in no time.

Estimated time for assembly



60:00

What you need

- Some of your favourite bubbly or your preferred relaxant
- Use the packaging carton as a working surface to prevent product damage during assembly
- Phillips head screwdriver

Do not use a drill



Weight Limitation



50
lbs per shelf

Toll-free at 1-866-619-1004
Help@nathanjames.com
Nathanjames.com/help

What's included

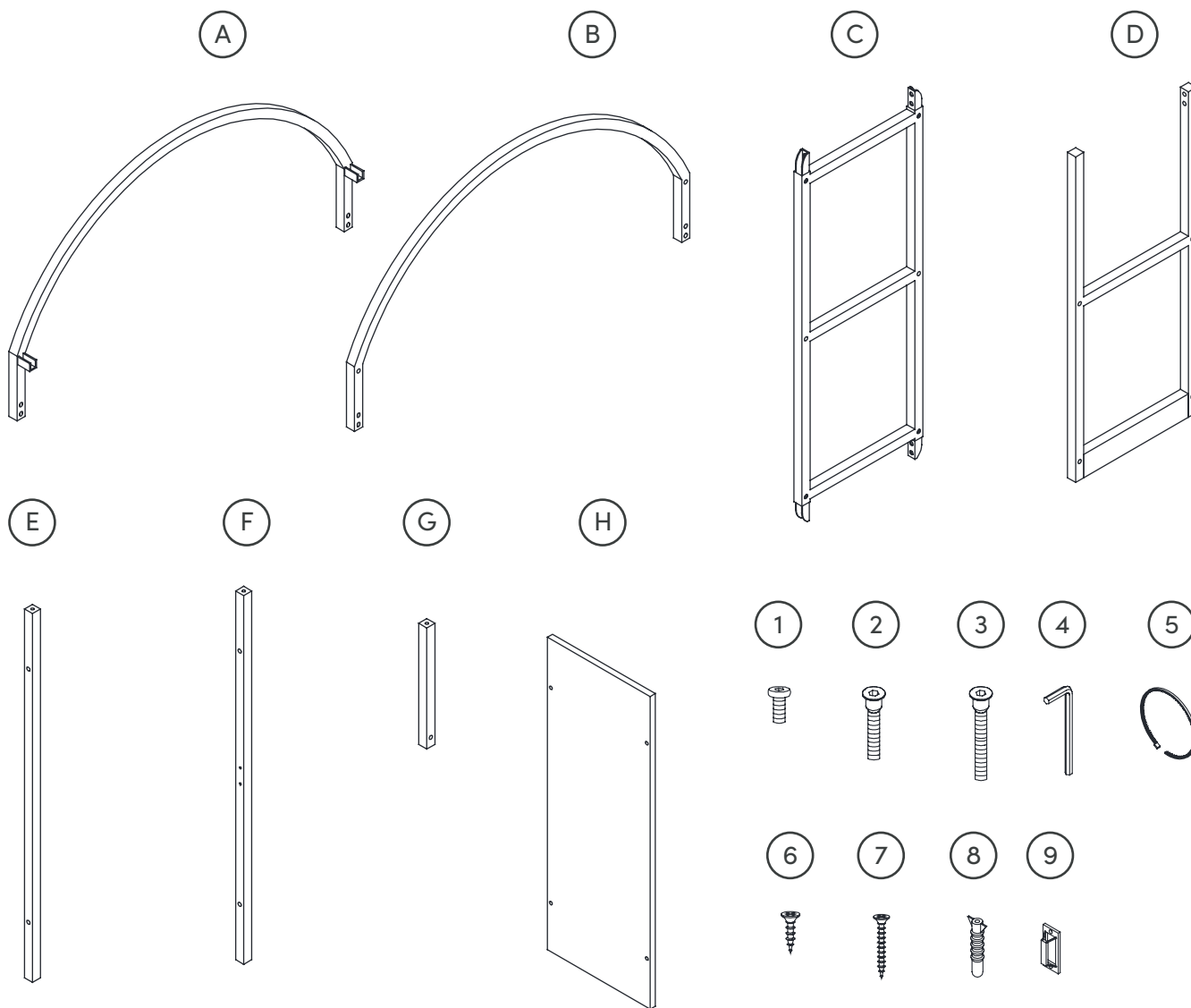
Description	Qty
A Front Top Frame	1
B Back Top Frame	1
C Middle Side Frame	2
D Bottom Side Frame	2
E Shelf Stretchers	9
F Back Top Stretcher	1
G Top Side Stretcher	2
H Shelf	5
1 M6*12mm Bolt	18
2 M6*30mm Bolt	20
3 M6*45mm Bolt	22
4 Allen Key	1
5 Plastic Strap (for anti-tip)	1
6 M3.5*14mm Screw	2
7 M4*35mm Screw	2
8 Wall Anchor (for anti-tip)	2
9 Plastic Bracket (for anti-tip)	2

Scan me!

Inspiration
Digital Instructions
Free Lifetime Warranty



The goods



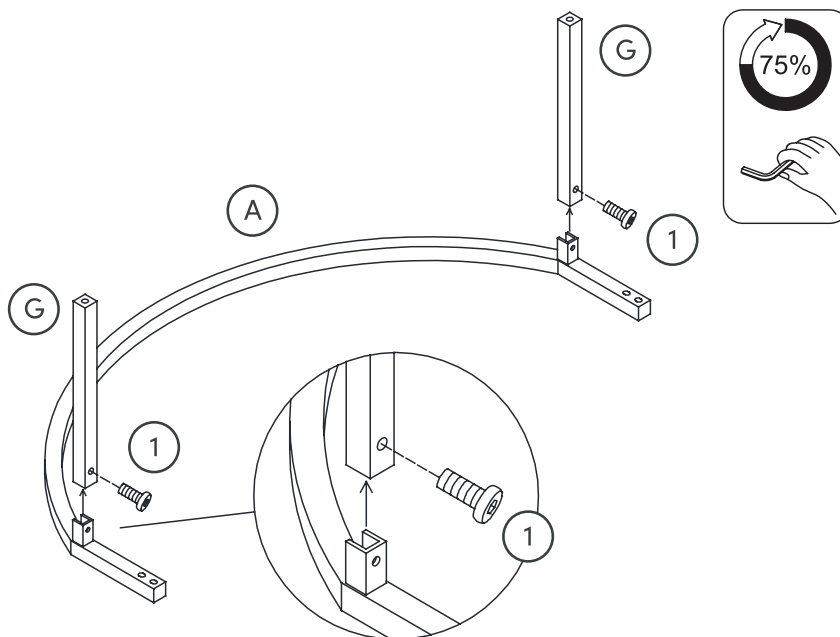
IMPORTANT

1. Do not tighten bolts / screws completely until all bolts / screws are lined up and inserted into holes.
2. Do not over tighten screws and bolts to avoid stripping.
3. Please use hand tools to assemble this product. Do not use power tools.



Step 1

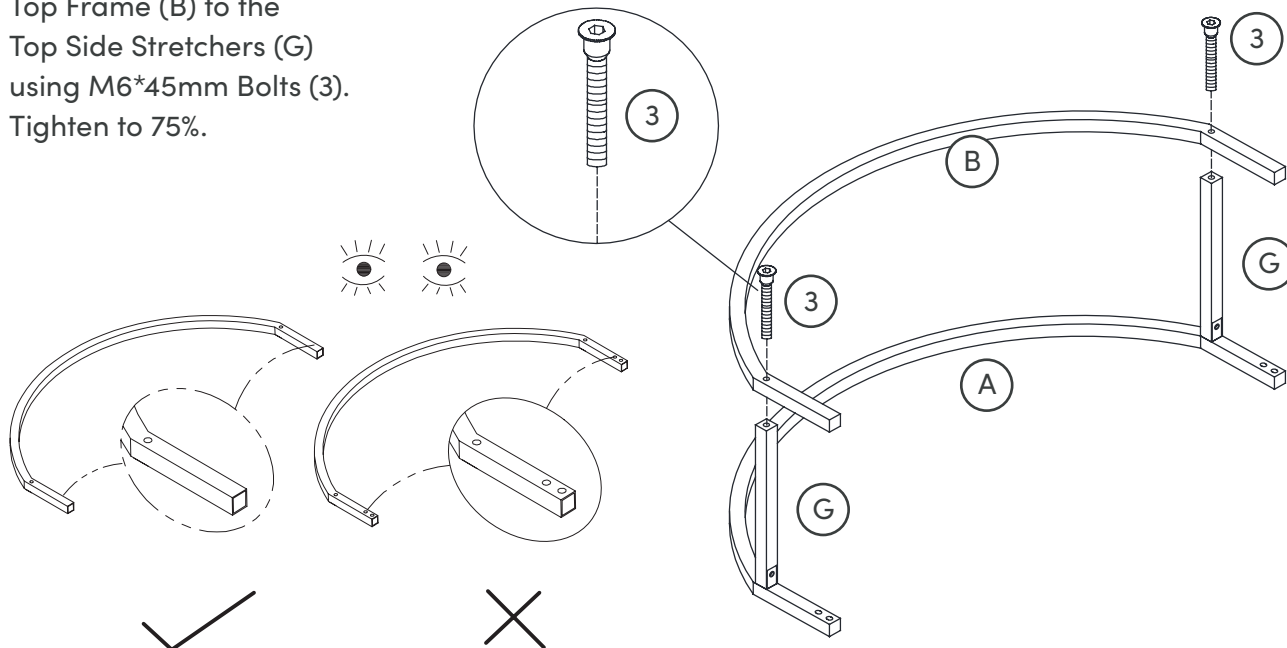
It's as easy as it looks! Attach the Top Side Stretchers (G) to the Front Top Frame (A) using M6*12mm Bolts (1). Tighten to 75%.



Step 2

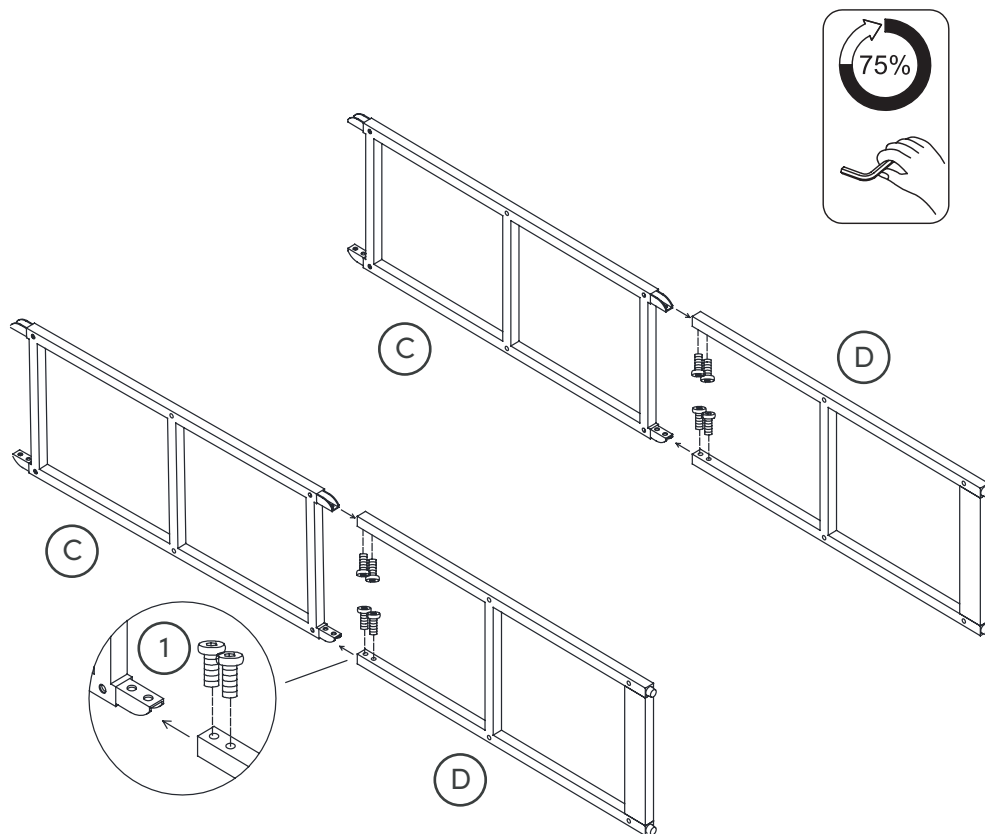
I know...we're thinking the same thing, I'm hungry. Luckily, this assembly is very easy and will be done in no time.

Now attach the Back Top Frame (B) to the Top Side Stretchers (G) using M6*45mm Bolts (3). Tighten to 75%.



Step 3

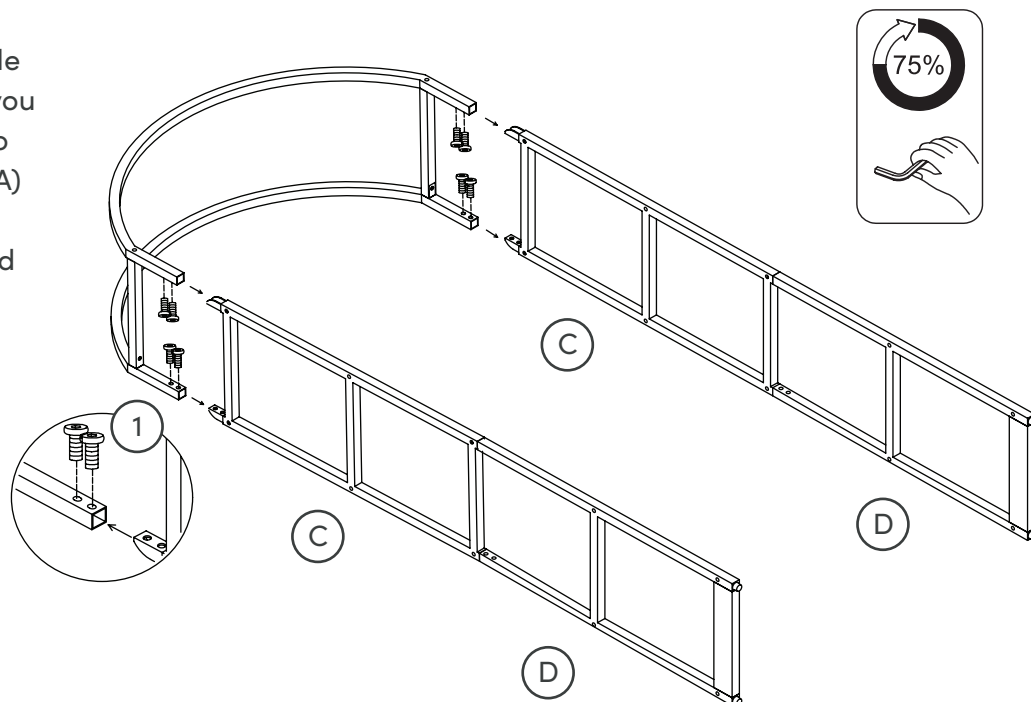
Now attach the Middle Side Frames (C) to the Bottom Side Frames (D) using the M6*12mm Bolts (1). Tighten to 75%.



Step 4

This thing is really starting to come together!

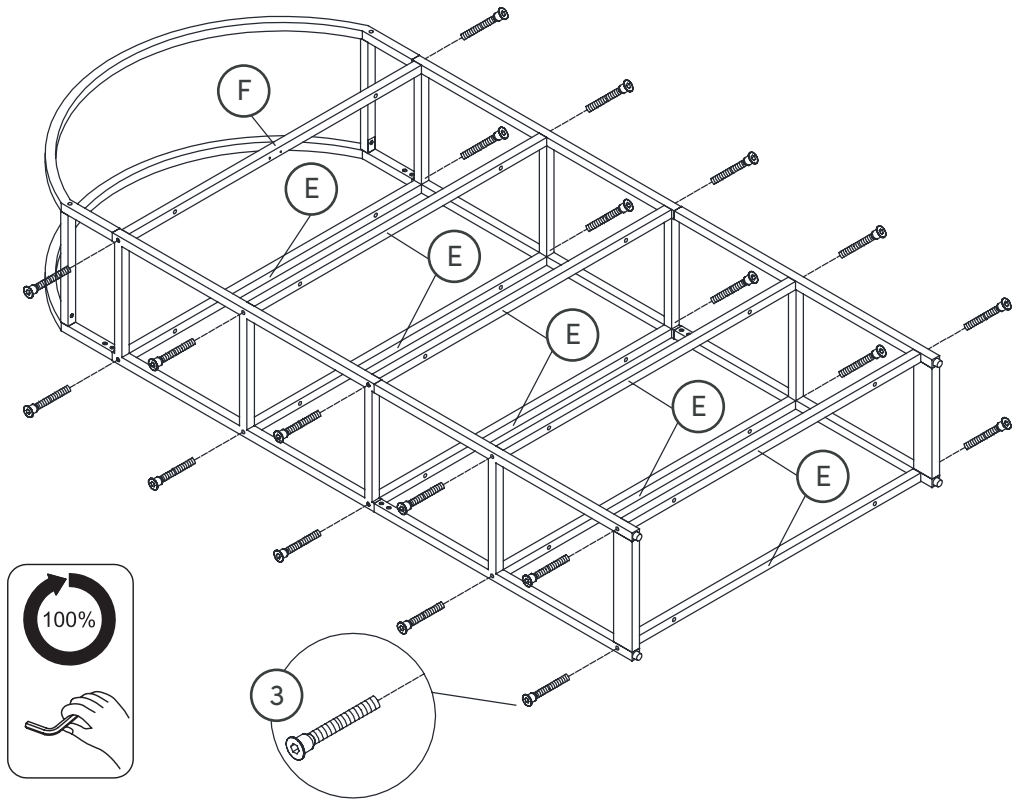
Next, attach the Middle Side Frames (C) that you assembled in Step 3 to the Front Top Frame (A) and Back Top Frame (B) that you assembled in Step 2 using the M6*12mm Bolts (1). Tighten to 75%.



Step 5

Time to start working on the shelves!

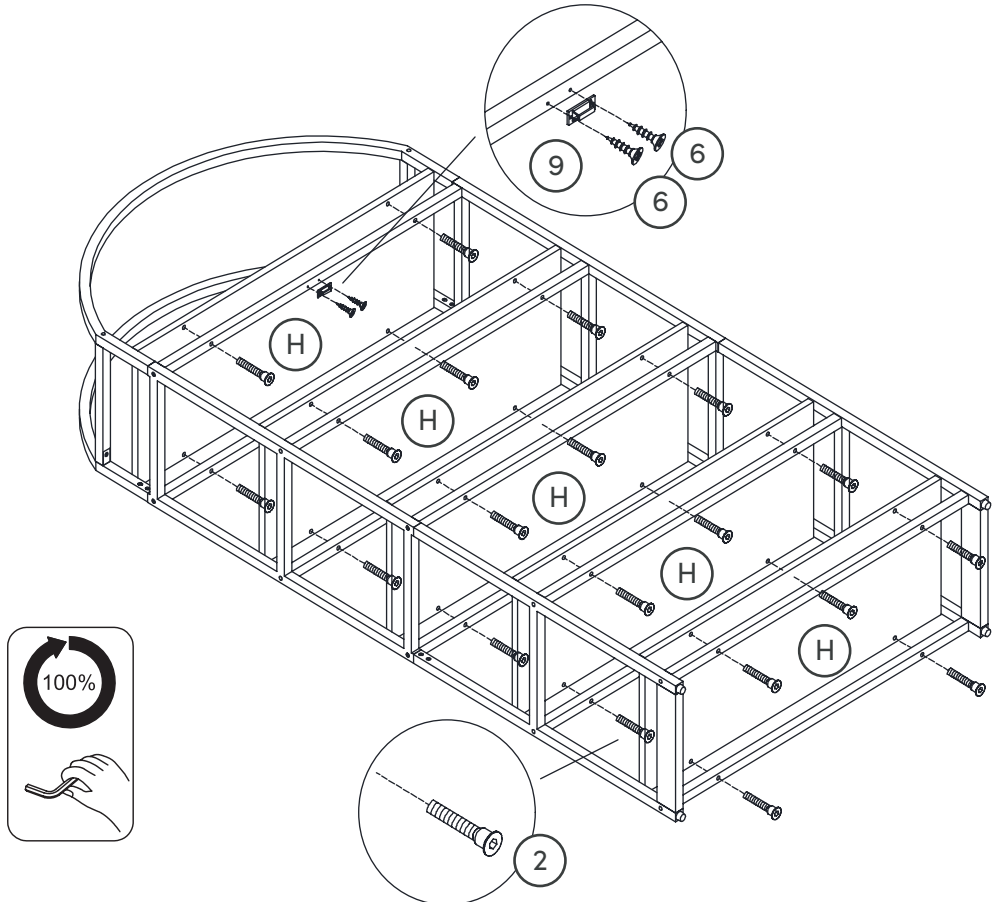
Secure the Shelf Stretchers (E) and the Back Top Stretcher (F) to the rest of the frame using M6*45mm Bolts (3).



Step 6

Secure the Shelves (H) to the frame using M6*30mm Bolts (2).

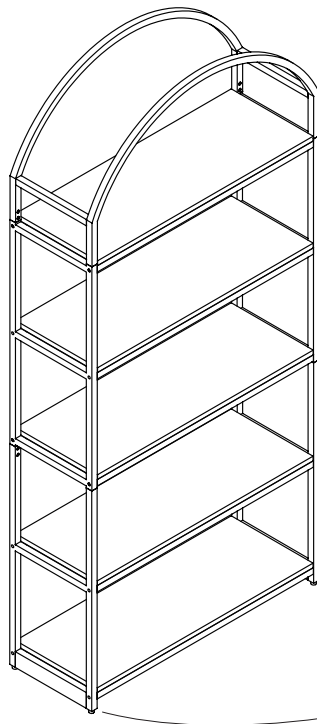
Next, attach the Plastic Bracket (9) to the frame using the M3.5*14mm Screws (6).



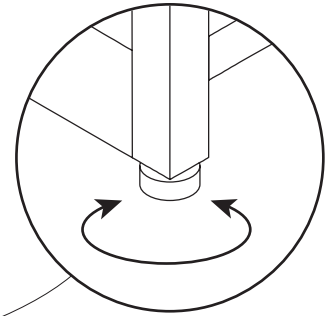
Step 7

You're almost done! You should be a professional bookcase assembler or something.

Adjust the feet of the bookcase until stable.



Wobbly or unlevel?
Adjust feet until stable!

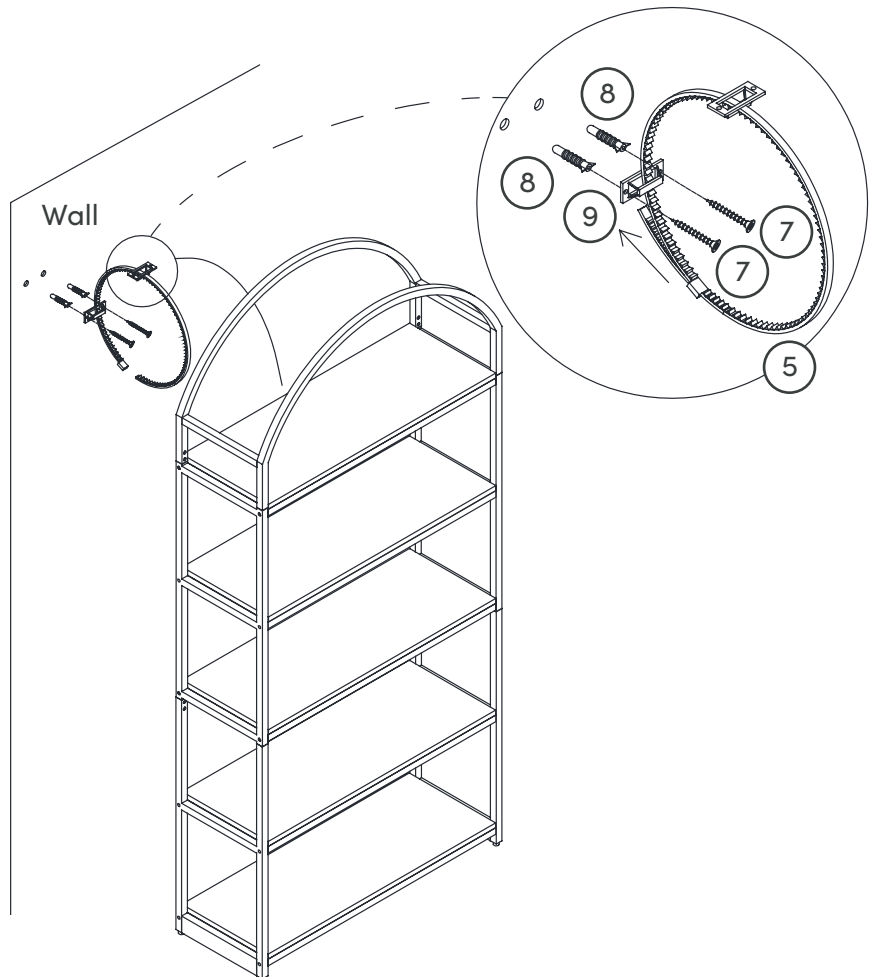


Step 8

Now for the final step—securing the bookcase to the wall for some extra stability.

Insert the Wall Anchors (8) into the wall. Then secure the Plastic Bracket (9) to the wall using the M4*35mm Screws (7). Finally, run the Plastic Strap (5) through the Plastic Brackets (9) on the wall and bookcase frame.

Ta-da! Time for a shelfie!



No heartburn, when we handle the return

Give us a call **1-866-619-1004** or shoot us a message at **help@nathanjames.com** we will issue you a free replacement with **zero hassle**.

Our way



Give us a call



Replacement



You

Their way



Re-package item



Schedule pick up



Track package



Replacement



You

We really don't want you to go through the hassle of re-packaging your item and sending it back, because let's be honest...nobody has time for that.



Safety first, fun later

We want your Haven Bookcase to last as long as possible, so we recommend that you tighten the screws 2 weeks after assembly and for added safety check the tightness of all screws every 2 months.

For proper care and treatment please check our website at NathanJames.com/products

Safe use of this product starts with you.

Use this bookcase responsibly with the primary concern for your safety. Follow assembly instructions carefully and inspect product upon receipt and each use.

Nathan James and its parent companies cannot be held legally responsible for any injuries or death resulted from failure to follow instructions or improper use of this product.

Do not modify the structure of this product in any way.

Our products have been tested to meet specific safety measures as they were originally intended to be sold. Any modifications will present the risk of creating significant safety issues which NJ will not be responsible for.

Proper use

- DO NOT** use for commercial purposes
- DO NOT** frolic on bookcase
- DO NOT** use bookcase as foot stool
- DO NOT** leave spilled liquid on shelves
- DO NOT** use bookcase if damaged
- DO NOT** make temporary repairs
- DO NOT** use outdoors



We are only in business if you're happy

For starters, thanks for being you.

☎ Toll-free at 1-866-619-1004

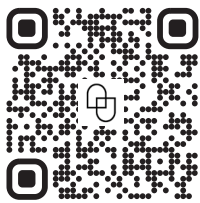
✉ Help@nathanjames.com

🌐 NathanJames.com/help

We do our best to ensure your furniture arrives without any problems, but occasionally mistakes happen—as humans we are imperfect beings. In the event that a part is damaged or missing, we will be more than happy to provide you with replacement part(s) for free.

Warranty

This product comes with a lifetime warranty from the date of purchase. Please use your phone to scan the QR code to register your product or visit <https://goo.gl/i9dk3q>



Did we do alright? Please spread the love!

If you are happy with your product, tell your friends and family about us or even better leave us a review online. Spreading the word gives us the opportunity to make more people happy and keep our prices low for your next purchase.

Brooklyn Burden

Founder, Nathan James

