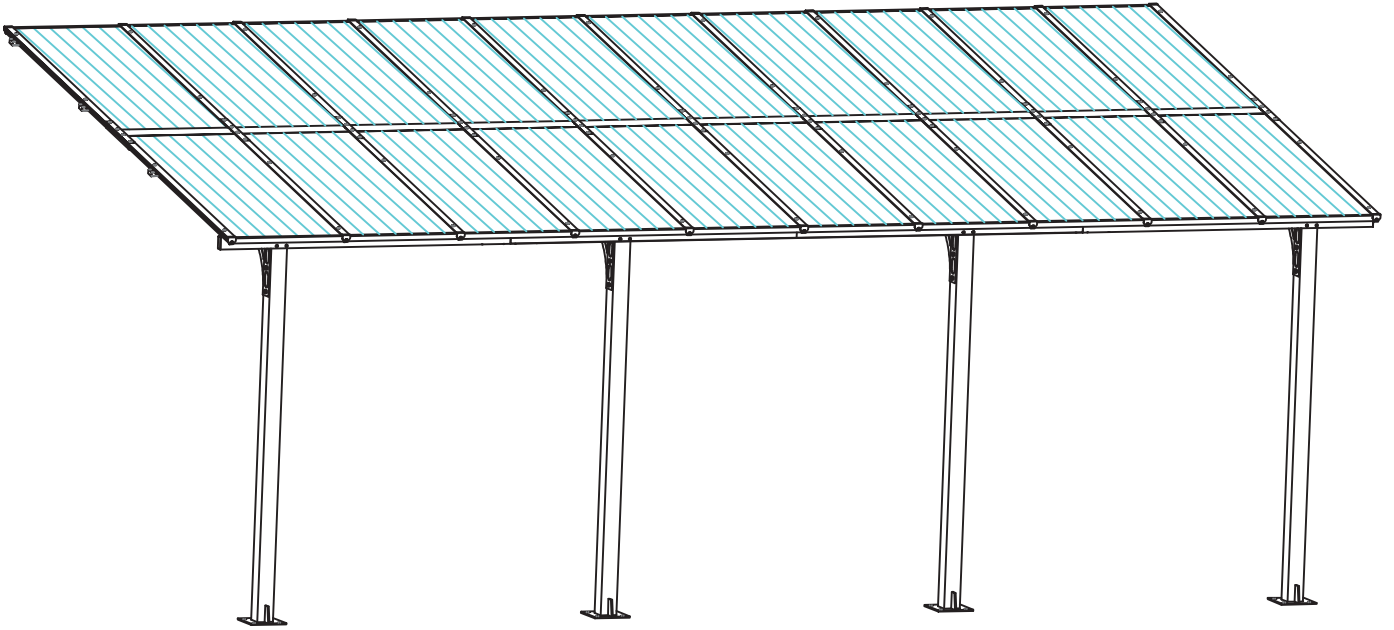


# ASSEMBLY INSTRUCTIONS SS16440

10'X20' freestanding gazebo

Thanks for choosing our product. Please kindly check parts listed below and read this manual carefully, then assemble them step by step. Please feel free to contact us for any questions.

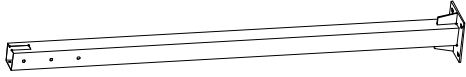


## Attention

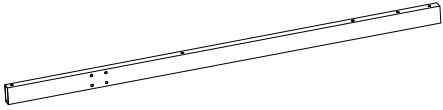
1. We care about every customer's using experience, please feel free to chat us if has anything missing or damaged or any advice, efficient solution would be offered soon.
2. Recommend 3-4 persons to assemble together.
3. Please use ladder when you install the top.
4. Please keep your children away when you assembly. This item contatins small parts which can be swallow by chilren.

# 10X20Parts List BOX A

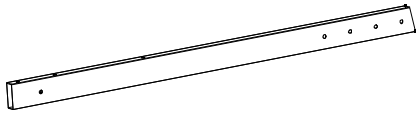
A x2



B x2



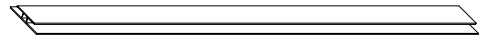
C x2



C2x2



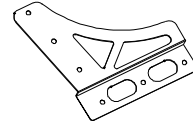
G x10



N3x12



P x4



E x6

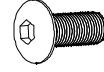


# 10X20Parts List BOX A

X x24

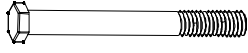


W x134



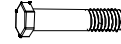
M6\*15

Z x12



M10\*95

Z2 x12



M10\*45

R x22



W3x56



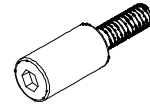
M6\*40

W2x44



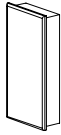
M6\*45

Y x16



M6\*12

U x2



Z1 x88



U1x6



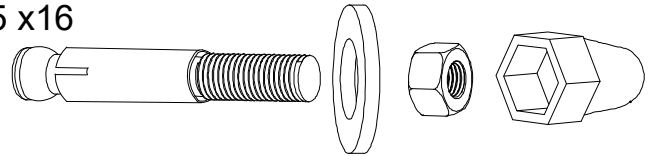
X2x44



U2x4



Z5 x16

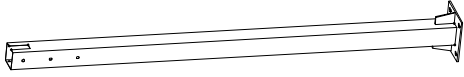


Z3

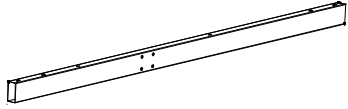


# 10X20Parts List BOX B

A x2



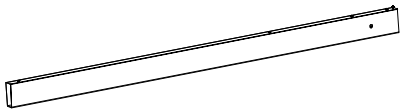
B5x2



C x2



C2x2



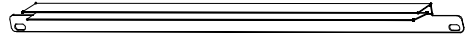
D4x3



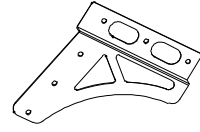
E x10



Fx20



P1x4



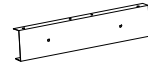
Sx11



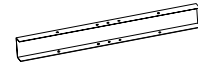
T x11



N2x4

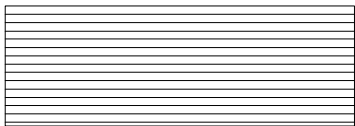


N x3

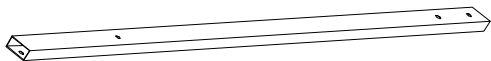


# 10X20Parts List BOX C

K1x20



D x6



E x6

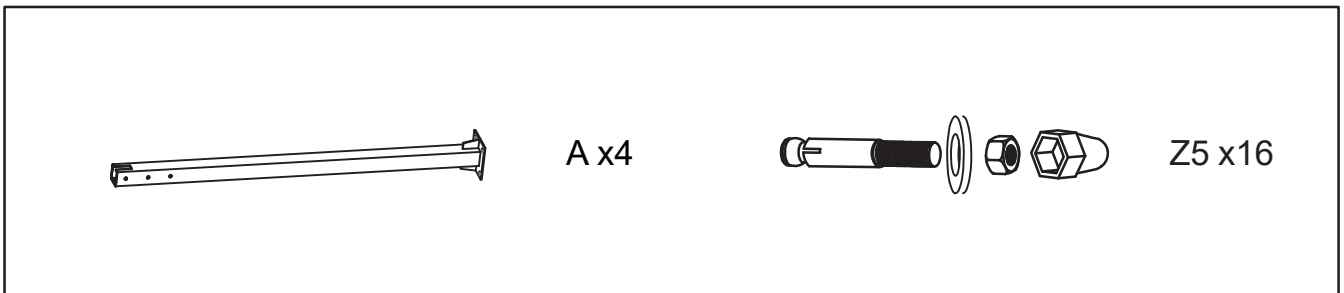
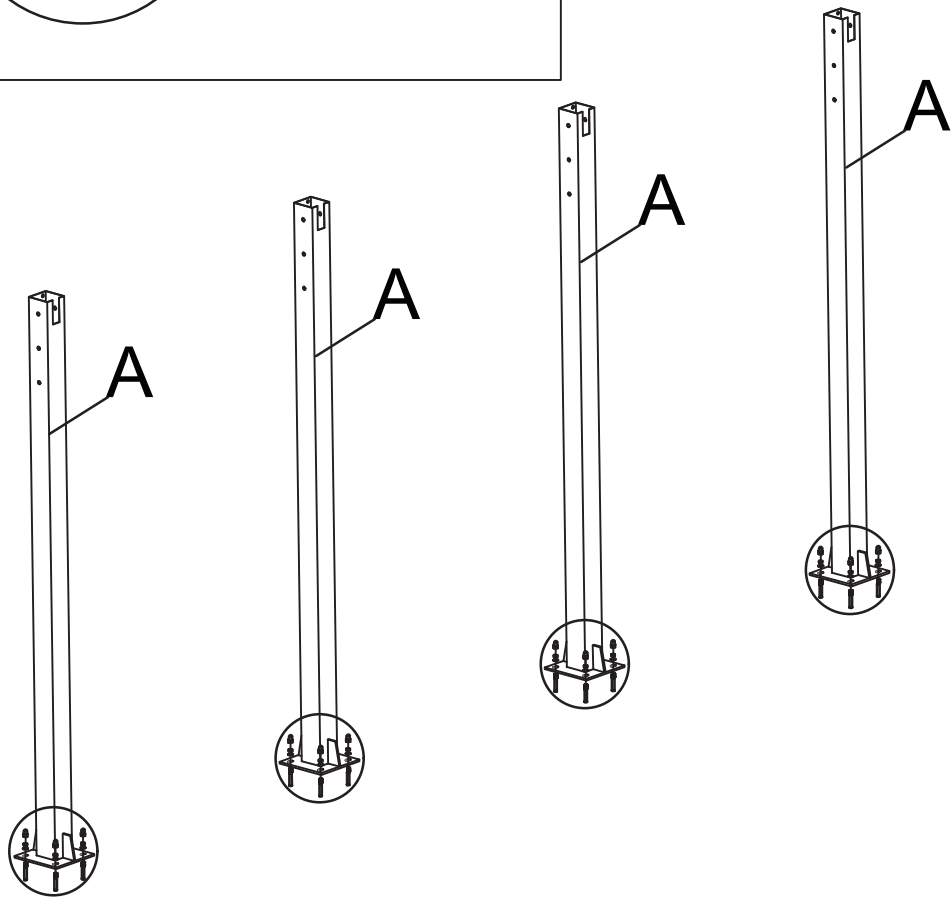
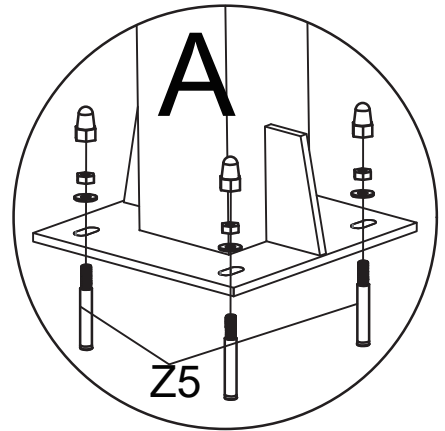
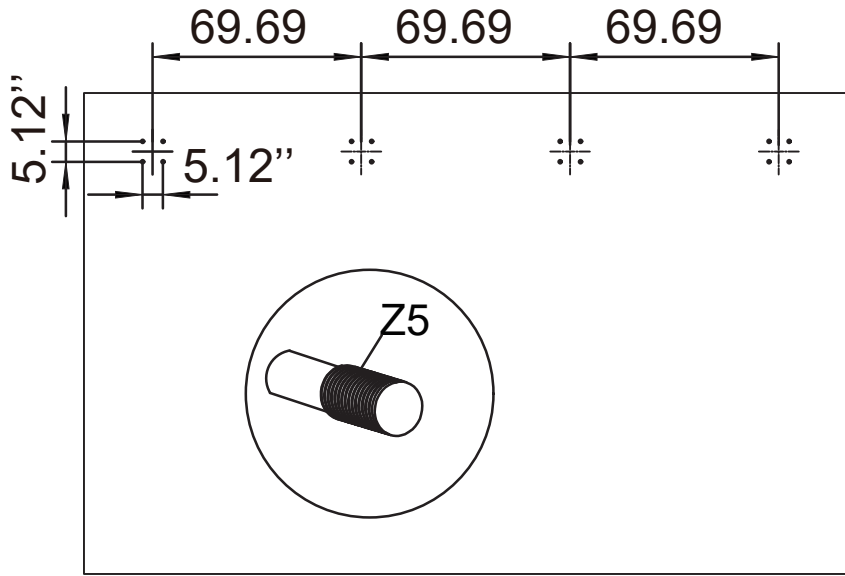


D2x6



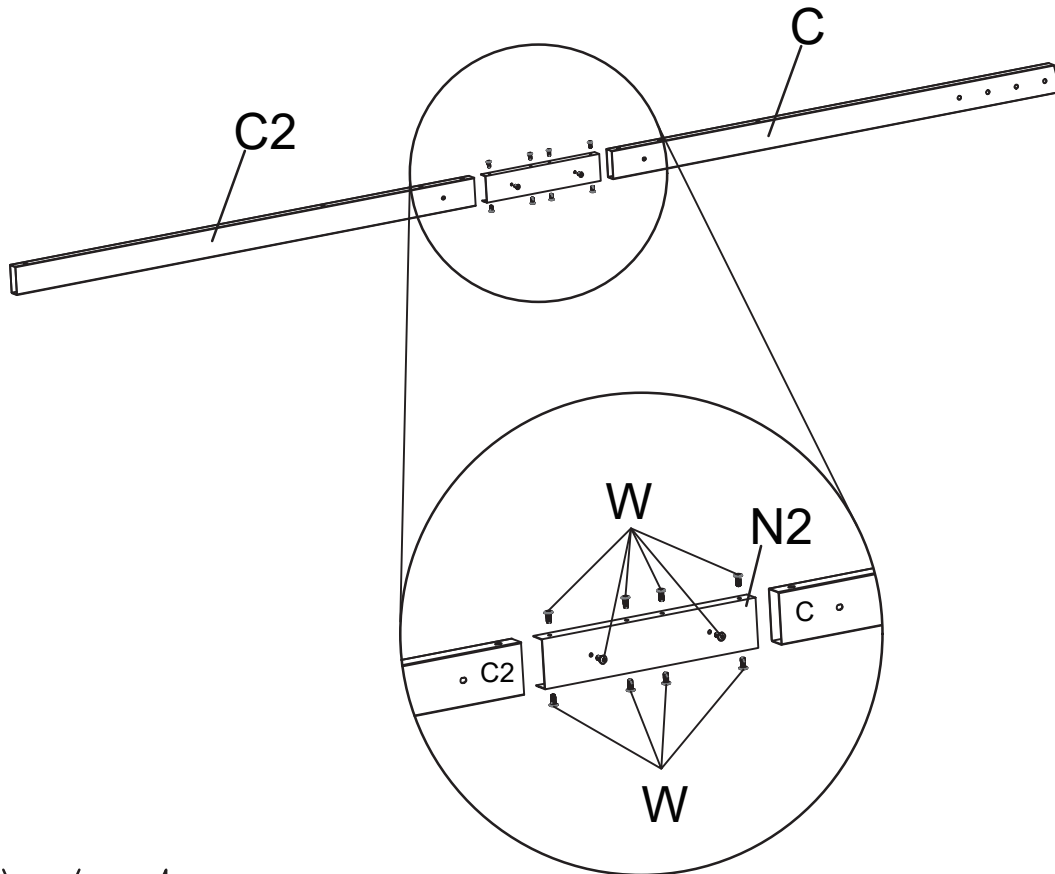
STEP 1

Measure the distance between the two legs and fix the legs first for subsequent installation.







STEP2

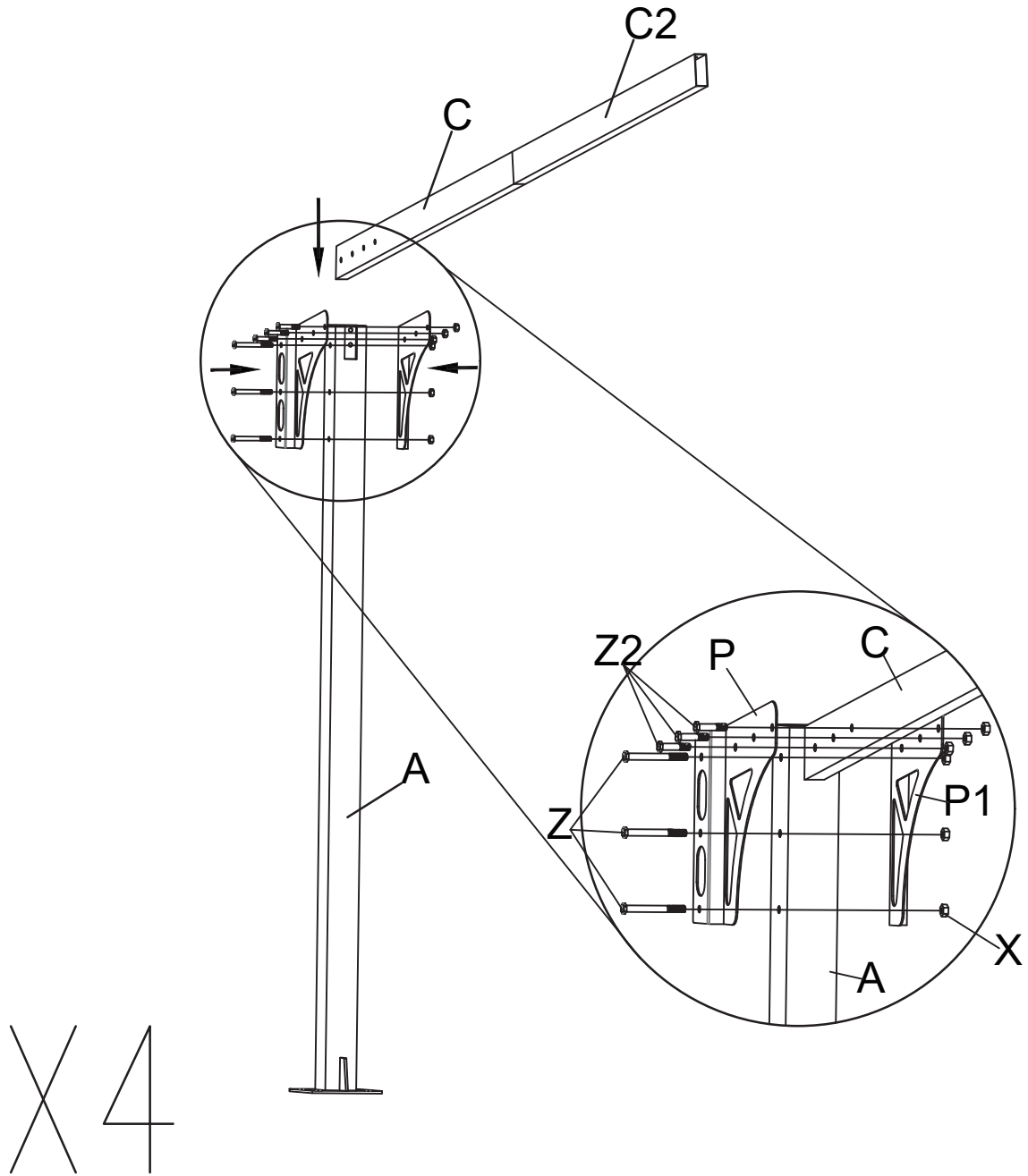
Please note the installation position of the two types of screws.



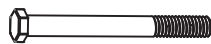
X 4

	C x4		N2 x4
	C2 x4		W x40

STEP 3



P x4



Z x12

X x24

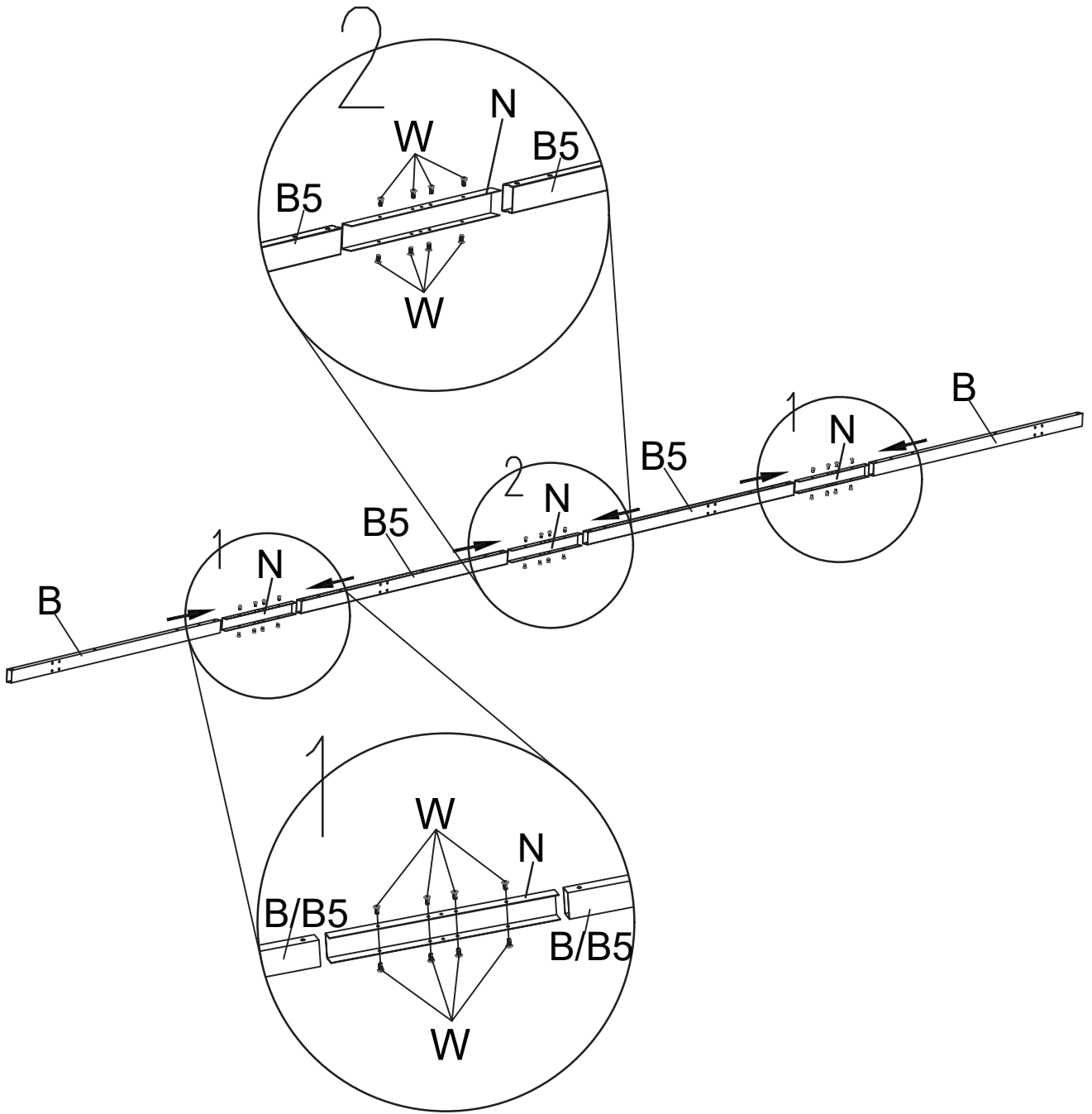






P1 x4



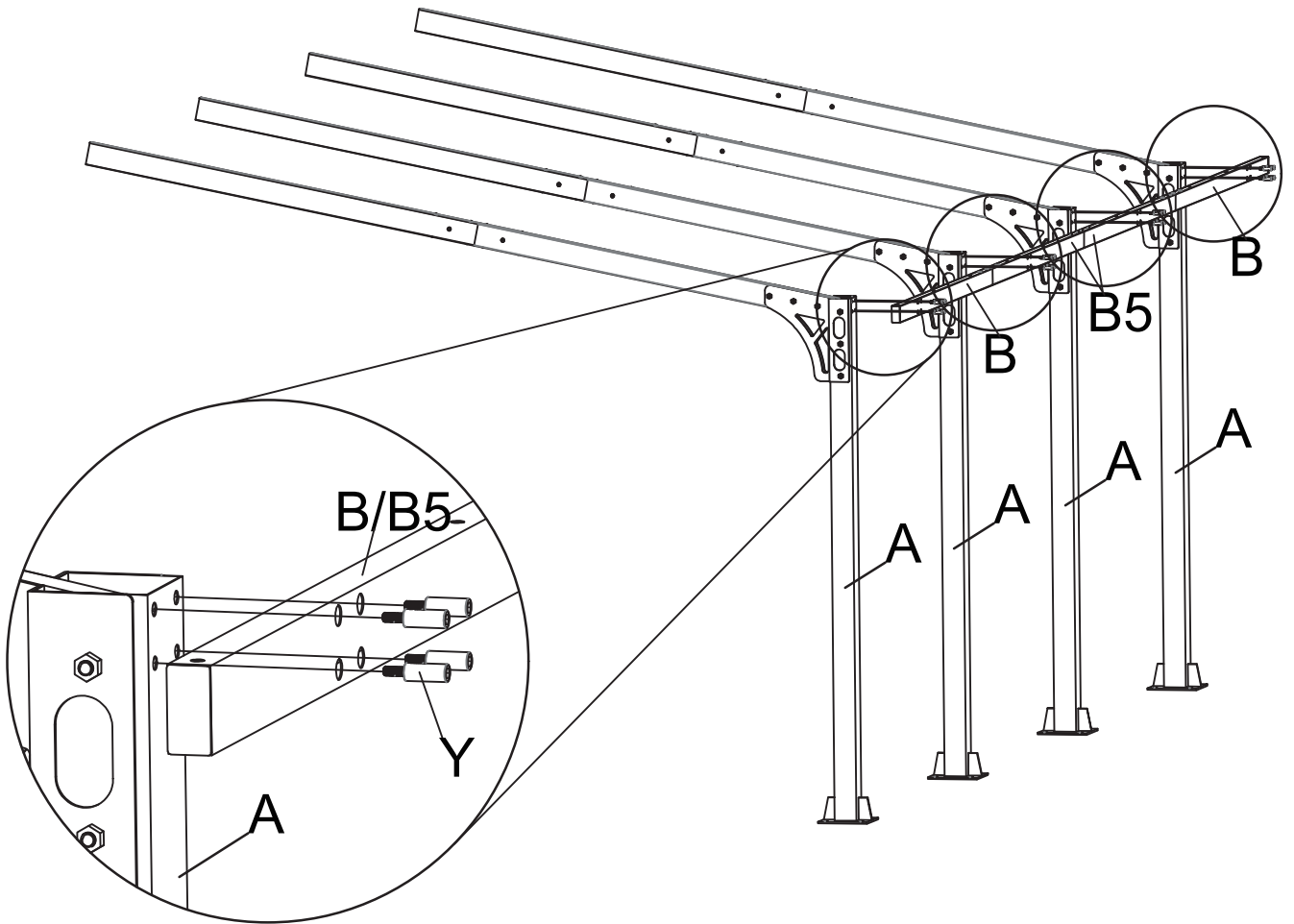
Z2 x12

STEP4



	B x2		N x3
	B5 x2		W x24

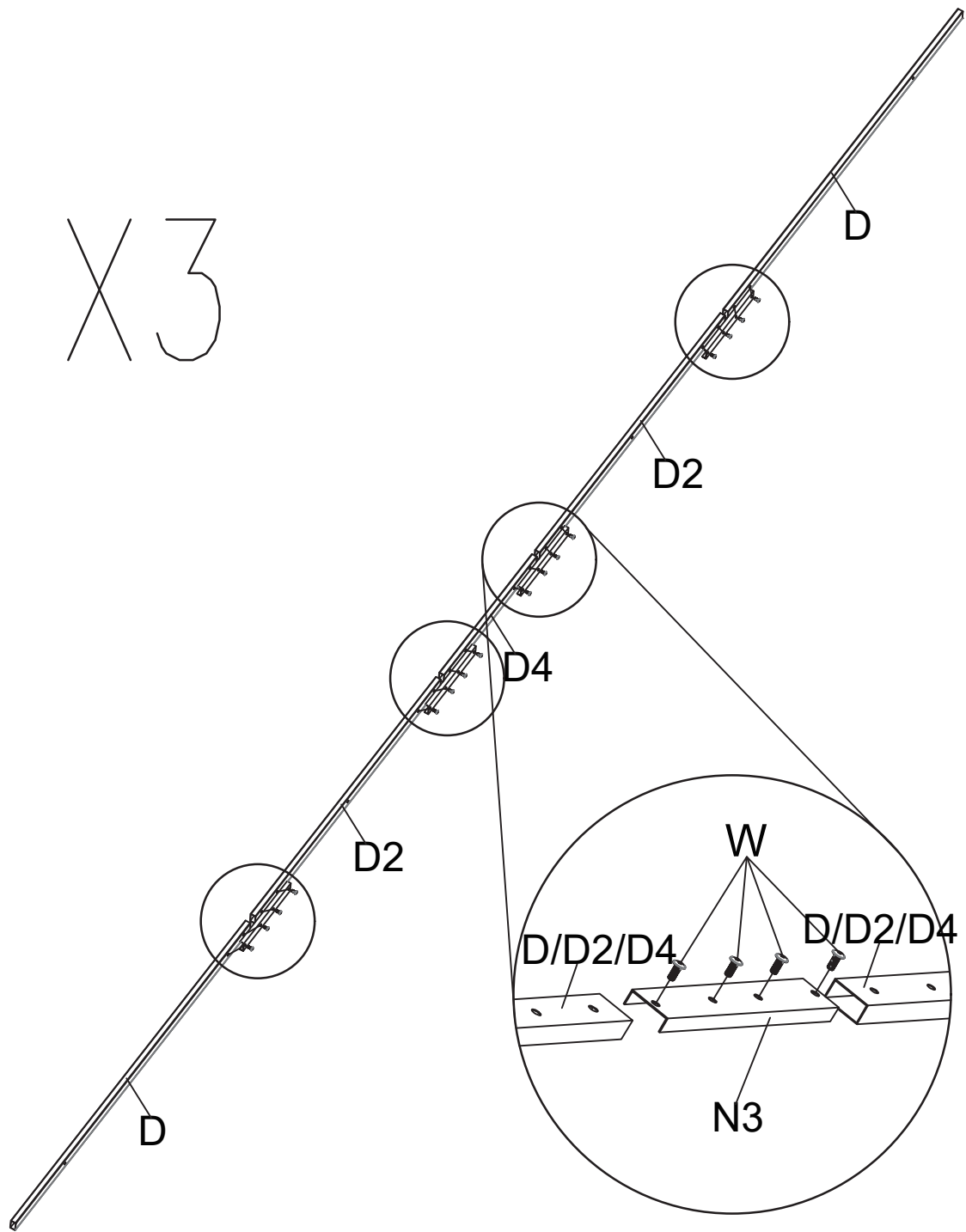
STEP 5








Y x16

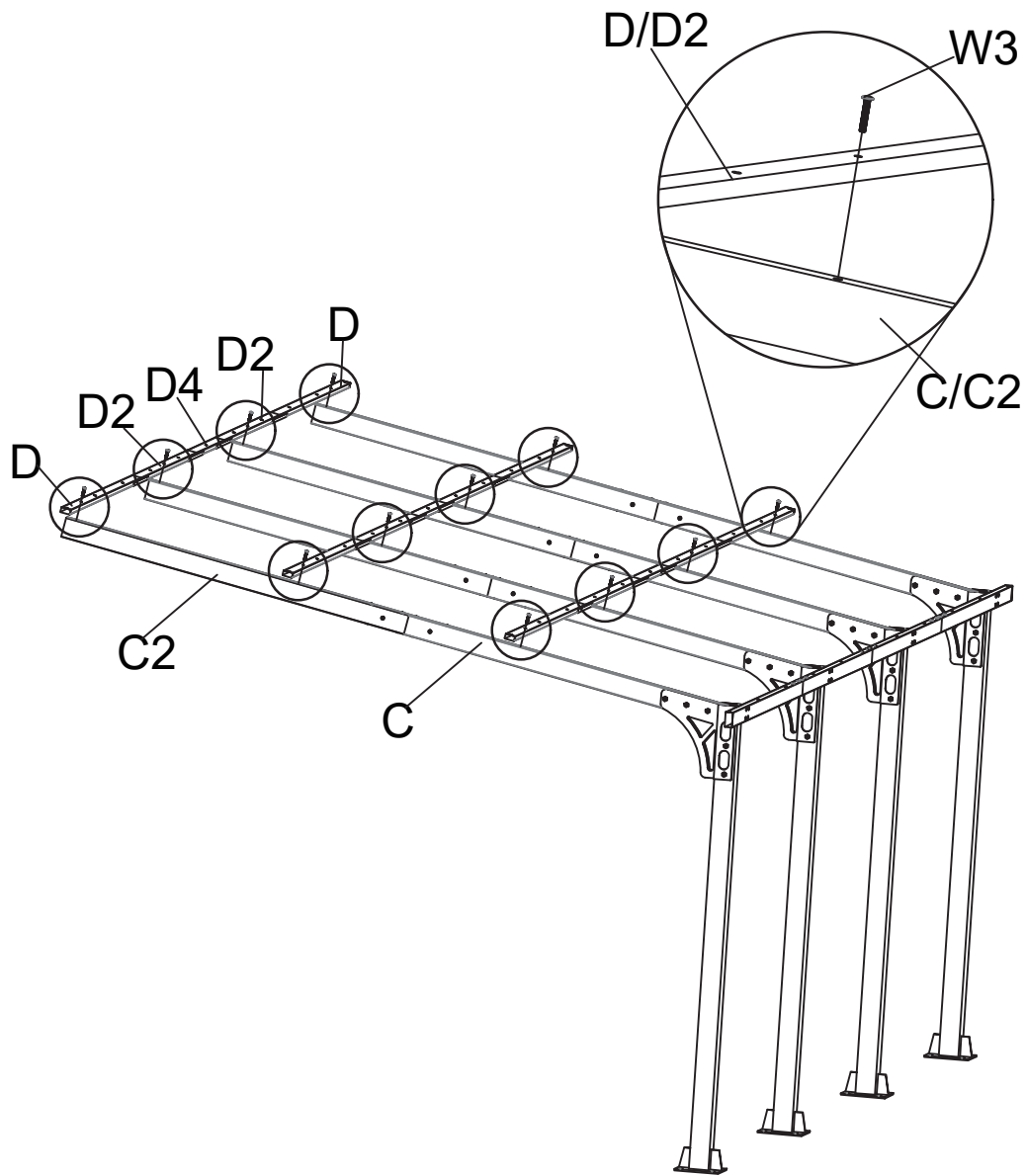
STEP6

X3



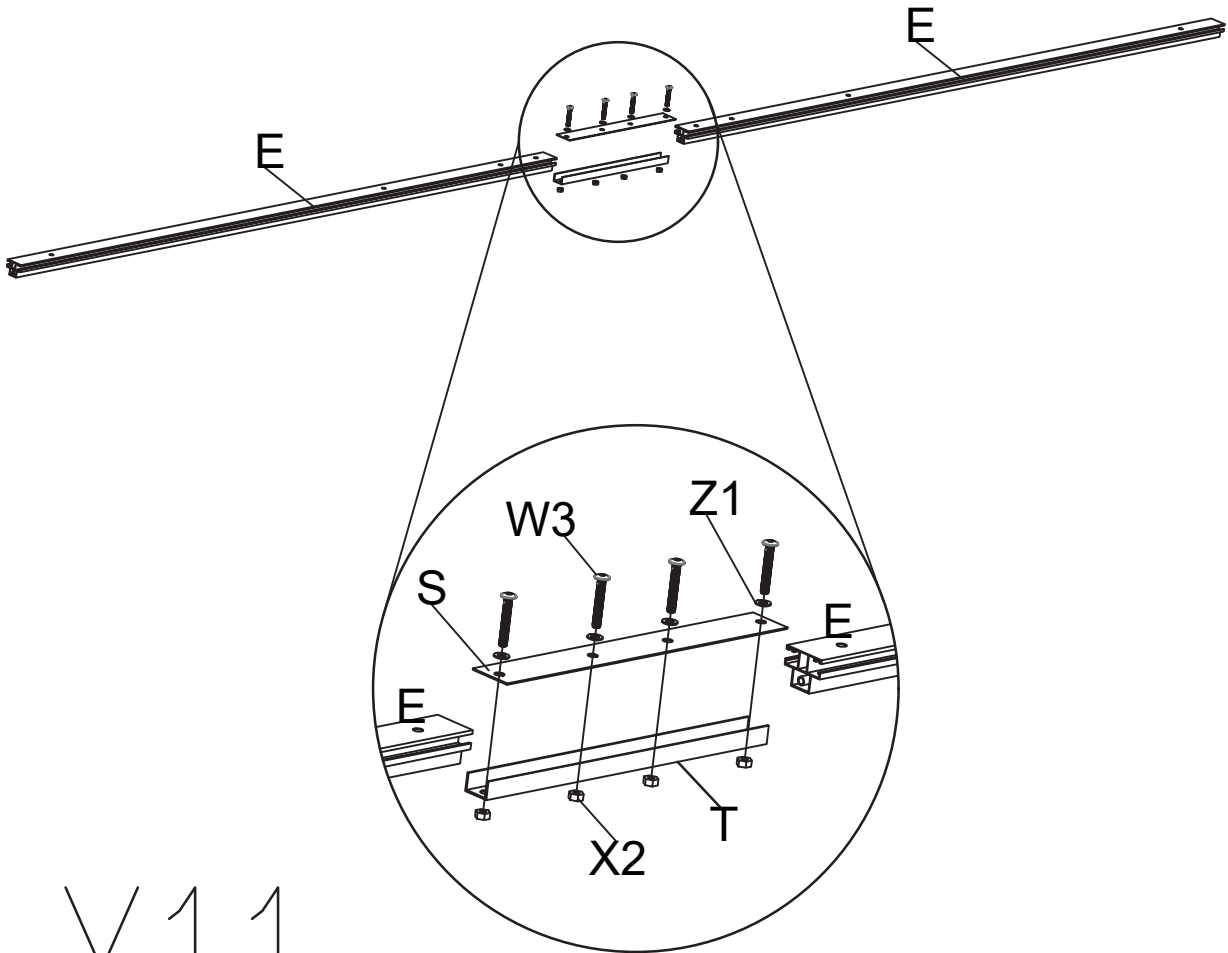
	D x6		N3 x12
	D2 x6		W x48
	D4 x3		

STEP 7









W3 x12

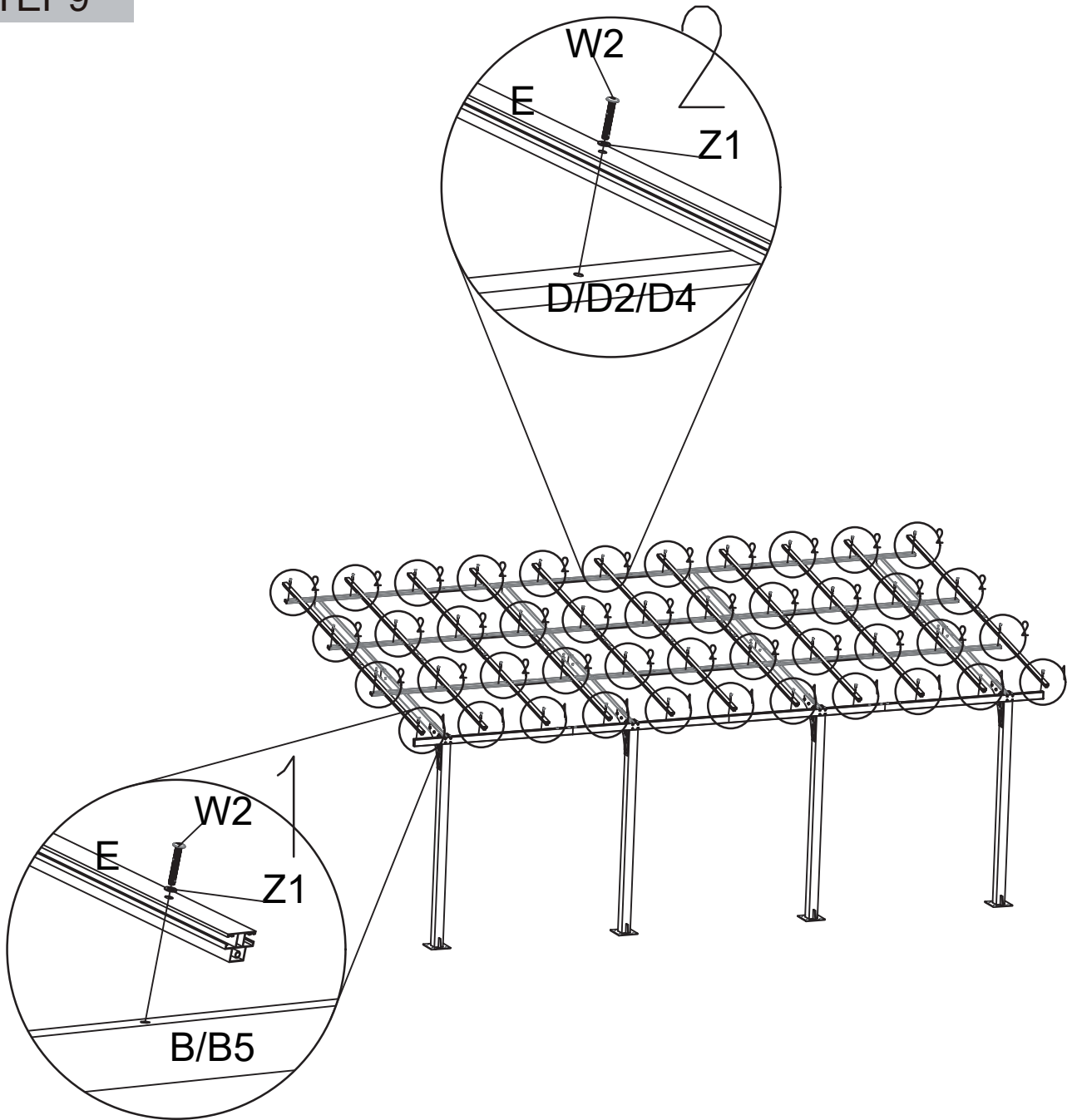
STEP8



X11

 S x11	 T x11	 W3 x44
		 Z1 x44
	E x22	 X2 x44

STEP9

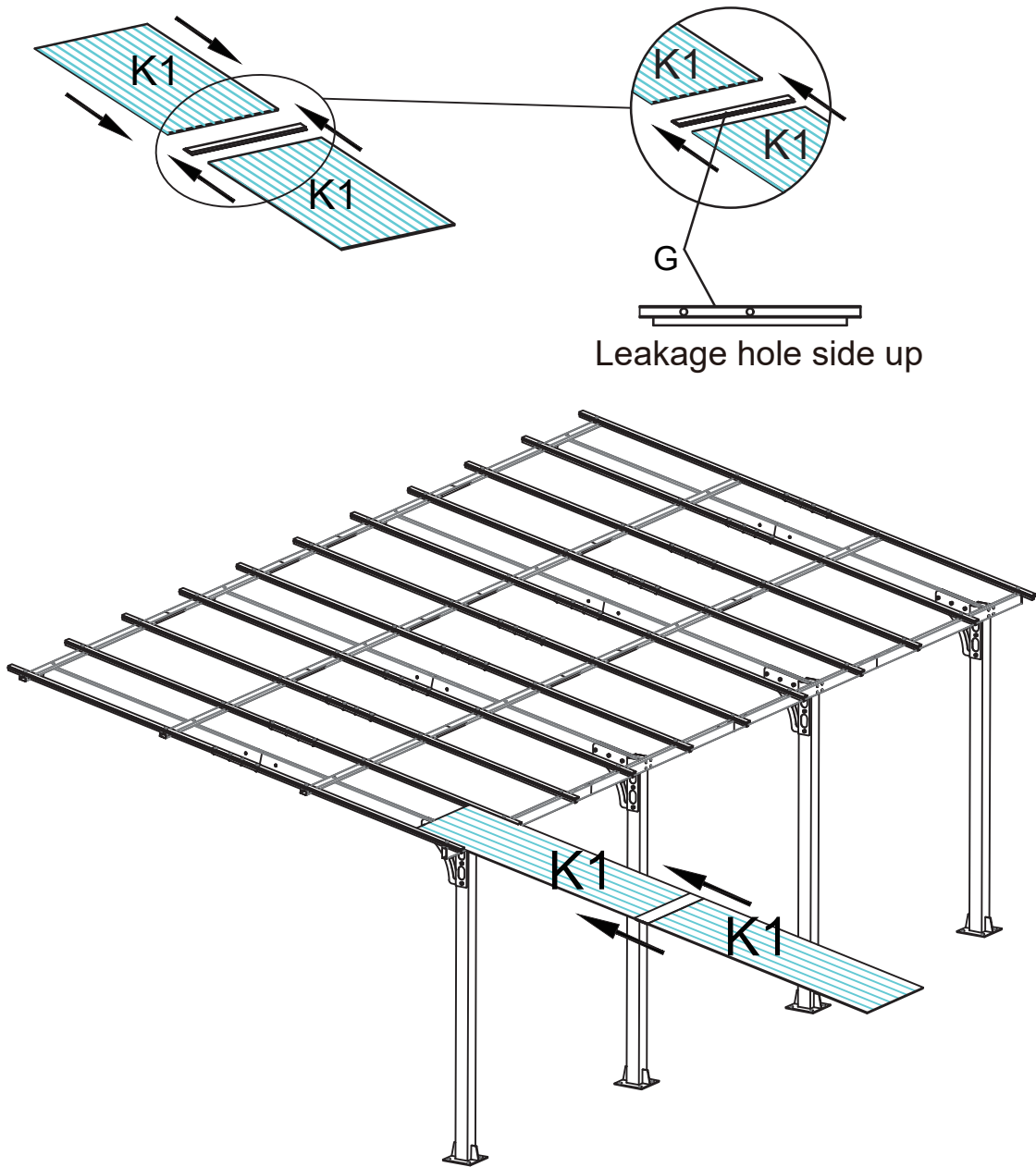


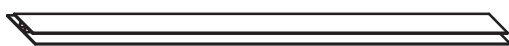
W2 x44

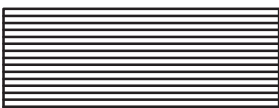


Z1 x44

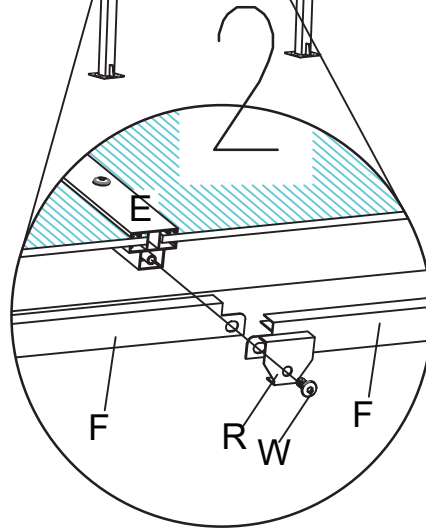
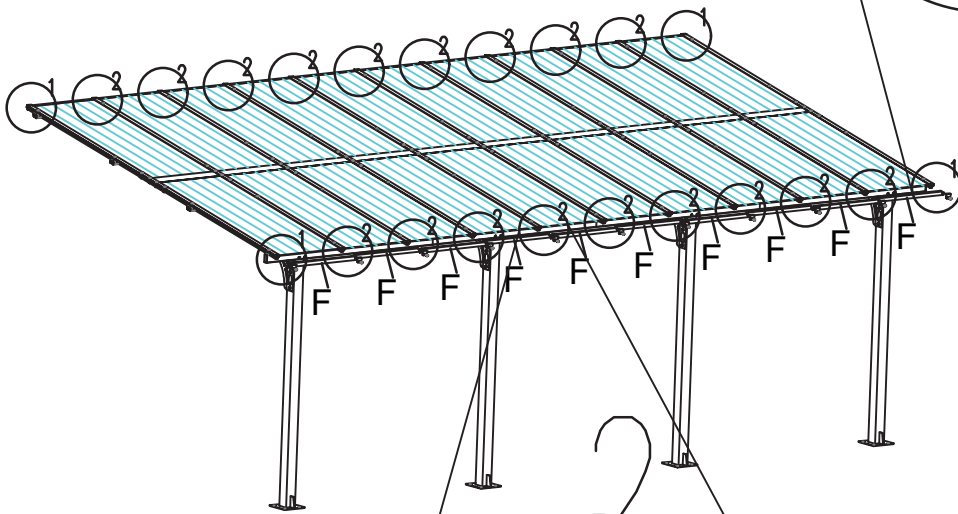
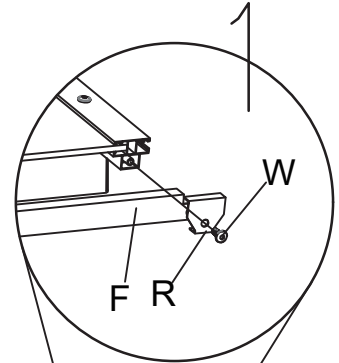
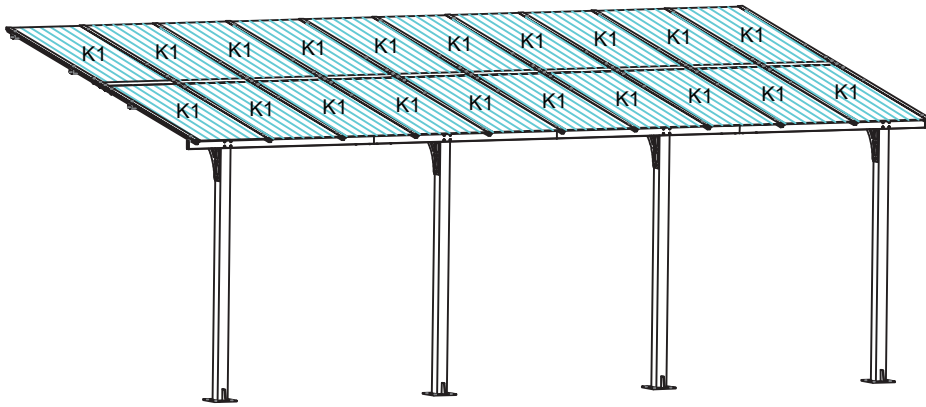
STEP 10



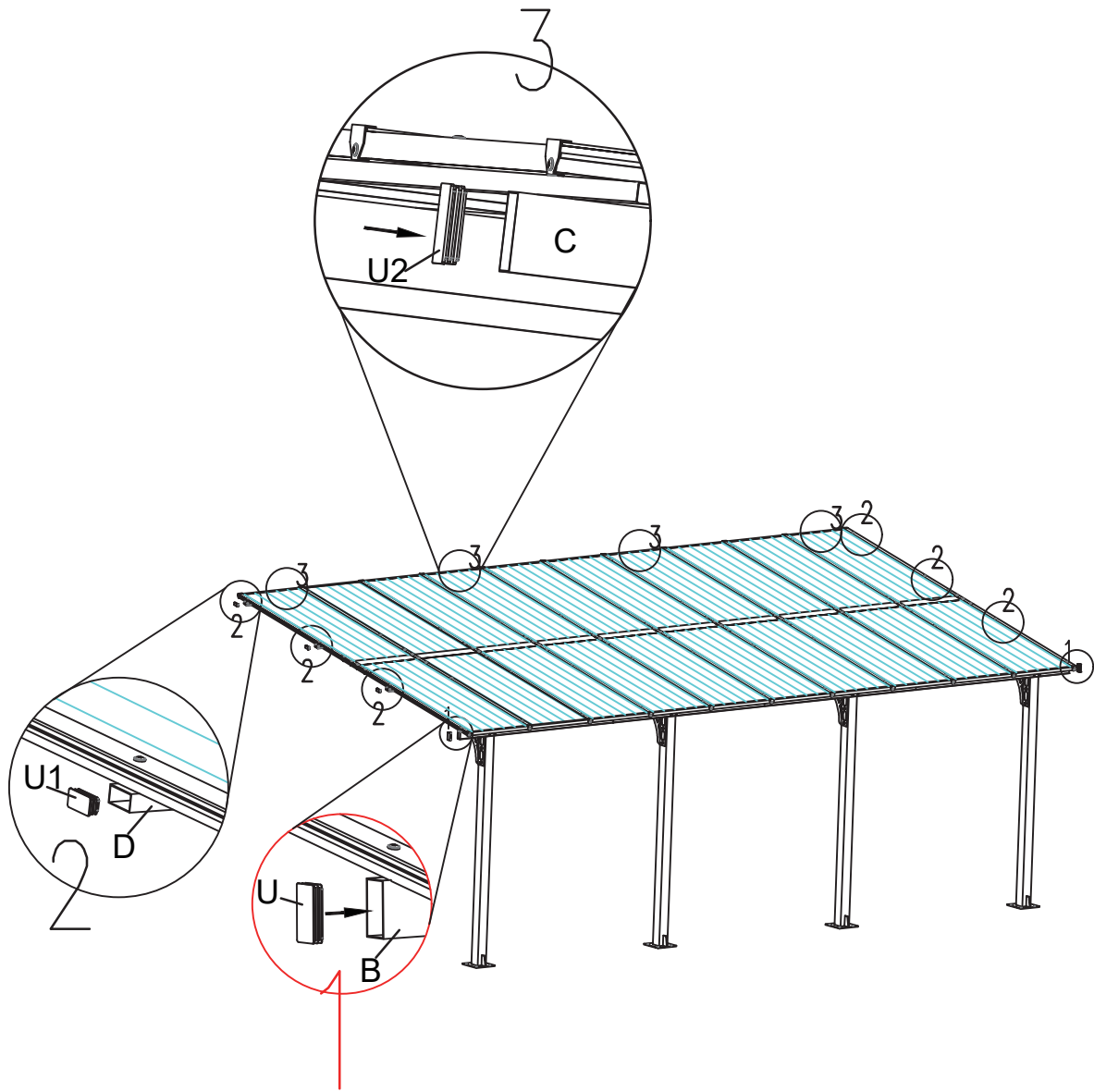
 G x10

 K1 x20

STEP11



STEP 12



U x2



U1 x6



U2 x4