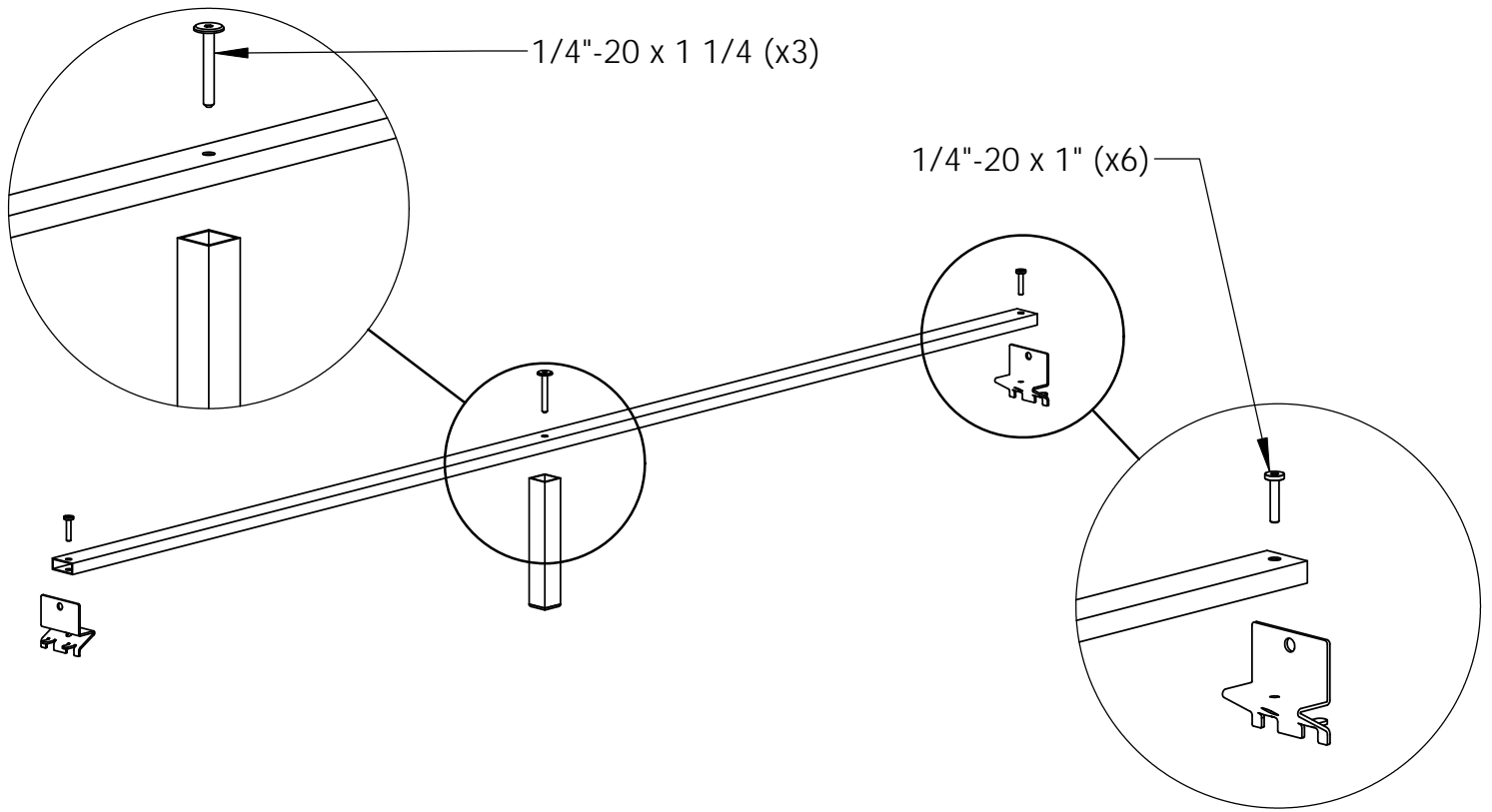
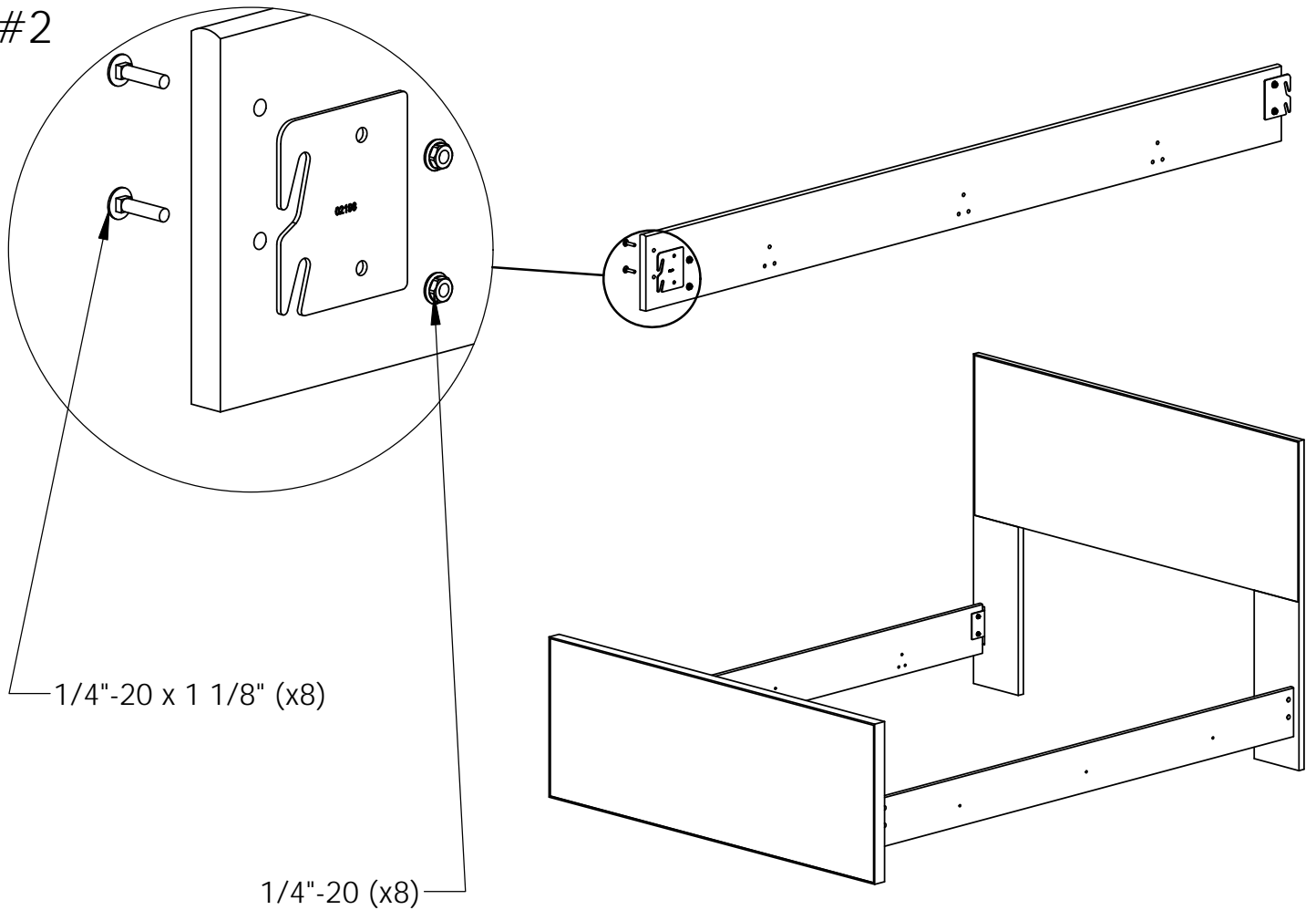


#1

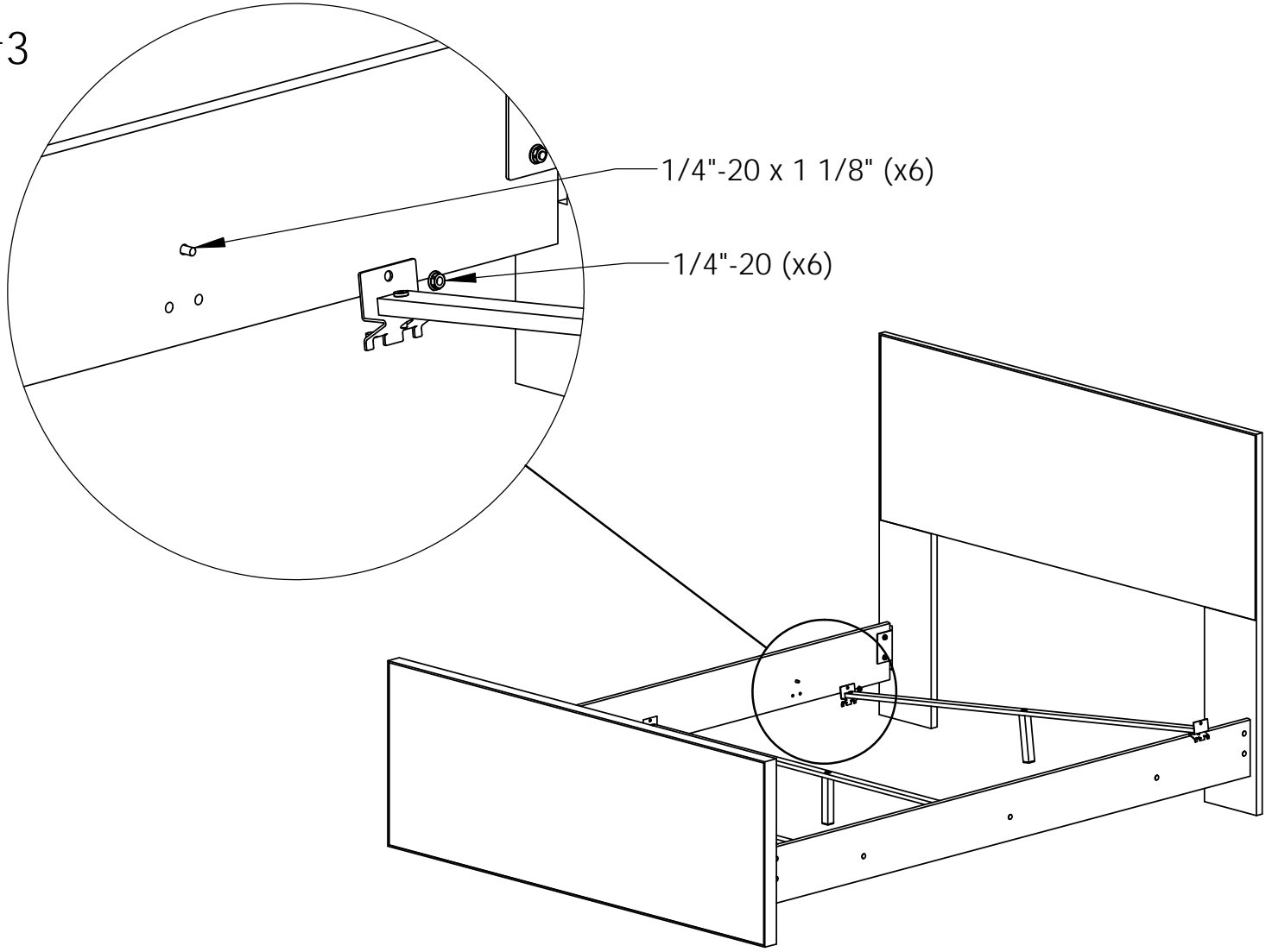
Rev.	Description	Date	Cad/Eng



#2



#3



#4

