

ASSEMBLY INSTRUCTIONS

ASSEMBLY TIPS :

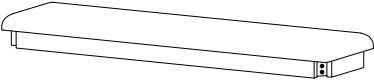
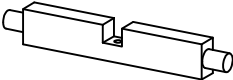

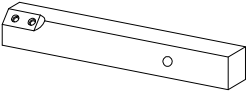
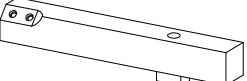
1. Remove hardware from box and sort by size
2. Please check to see that all hardware and parts are present prior to start of assembly.
3. Please follow attached instruction in the same sequence as numbered to assure fast & easy assembly.





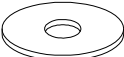


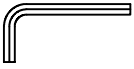
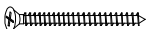
Warning !

1. Don't attempt to repair or modify parts that are broken or defective. Please contact the store immediately.
2. This product is for home use only and not intended for commercial establishment

PARTS IDENTIFICATION

A		CUSHION SEAT WITH FRAME	1 PC
B		SIDE STRETCHER	2 PCS
C		SUPPORT BAR	2 PCS
D		LEFT BENCH LEG	2 PCS
E		RIGHT BENCH LEG	2 PCS

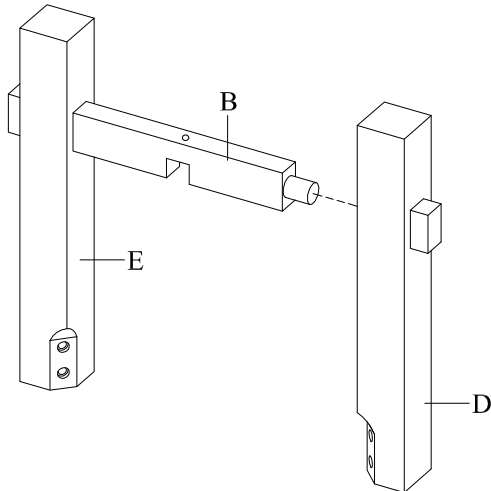
HARDWARE IDENTIFICATION

1		LONG BOLT	8 PCS
2		SHORT BOLT	4 PCS
3		LARGE FLAT WASHER	8 PCS
4		SMALL FLAT WASHER	4 PCS
5		LOCK WASHER	12 PCS
6		ALLEN WRENCH	1 PC
7		SCREW	4 PCS

ASSEMBLY INSTRUCTIONS

STEP 1

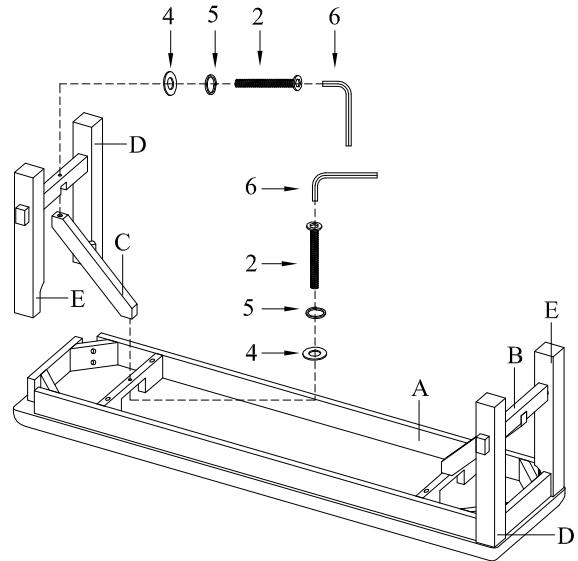
Align and insert side stretcher (B) to left (D) and right (E) bench leg.



STEP 2

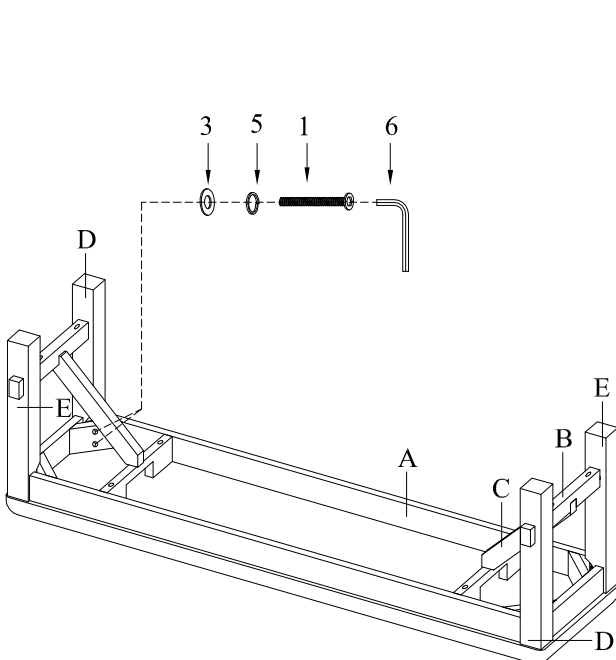
2.1 Place the cushion seat with frame (A) upside down on a soft surface. Align and fasten support bar (C) to side stretcher (B) using short bolt (2), lock washer (5) and small flat washer (4). DO NOT FULLY TIGHTEN AT THIS STEP.

2.2 Align and fasten support bar (C) to cushion seat with frame (A) using short bolt (2), lock washer (5) and small flat washer (4). DO NOT FULLY TIGHTEN AT THIS STEP.



STEP 3

Align and fasten left (D) and right (E) bench leg to cushion seat with frame (A) using long bolt (1), lock washer (5) and large flat washer (3). THEN FULLY TIGHTEN ALL THE BOLTS AT STEP 2.1, 2.2 and 3 WITH ALLEN WRENCH (6).



STEP 4

Insert screw into bottom of stretchers and fully tighten with screw driver (NOT INCLUDED).

