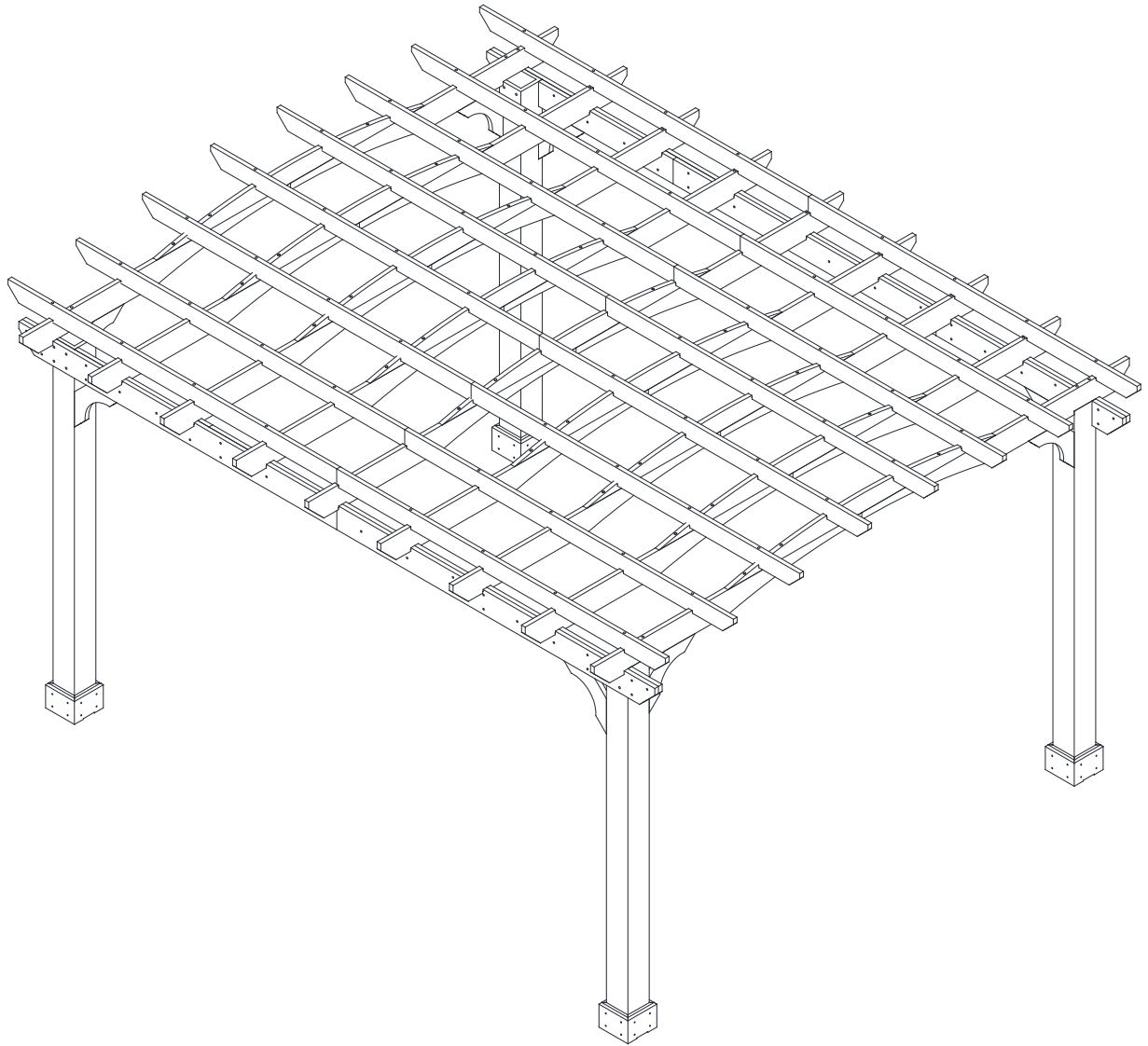




Wood Pergola



Instruction Manual



www.veikous.com



customerservice@veikous.com

STOP

**MISSING A PART?
CALL US BEFORE GOING
BACK TO THE STORE**

The store where you made your purchase
Does not stock parts for this item.
If you have assembly questions or you are missing or
have damaged parts, please call

1-858-324-1911

(Mon - Fri, 10:00 am to 7:00 pm EST)

you can also e-mail customerservice@veikous.com

or visit www.veikous.com

Please prefer email contact. Due to busy lines,
there may be a wait for calls to be answered.

Please have the following information ready when you make your call:

- The model number of the product is printed on the package box
 - Description of the part from the parts list
-
- Read entire assembly manual, paying special attention to the important tips and safety information .
 - Ensure there are no missing pieces by first separating and identifying all parts.
 - Make sure to check packing material for small parts that may have fallen out during shipment.
 - Structures are not intended for public use. The Company does not warranty any of its residential structures subjected to commercial use such as: Daycare, Preschool, Nursery School, Recreational Park, or any similar Commercial Application.
 - This manual contains helpful information concerning assembly preparation, installation procedure and required maintenance.
 - Always keep safety in mind as your structure is being built.
 - Keep these instructions for future reference.



1. Two or more people are required for assembly.



2. You will need one or more stepladders.



3. Wearing protective gloves is recommended.



4. You may need a safety hat.



5. Use the hex keys in the box.



6. Please use a Phillips screwdriver.











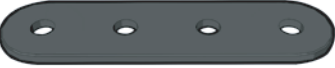


7. Do not fully tighten screws prior to complete assembly.

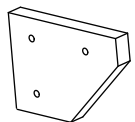


8. For ease of construction, you may need to use a drill.

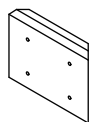
Parts Identification

Hardware

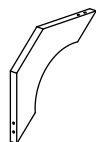
	20mm	Ⓜ x16
	50mm	Ⓜ x140
	70mm	Ⓜ x16
	90mm	Ⓜ x36
	100mm	Ⓜ x64
	120mm	Ⓜ x22
		Ⓜ x52
		Ⓜ x16
		Ⓜ x8
		Ⓜ x8
		Ⓜ x16



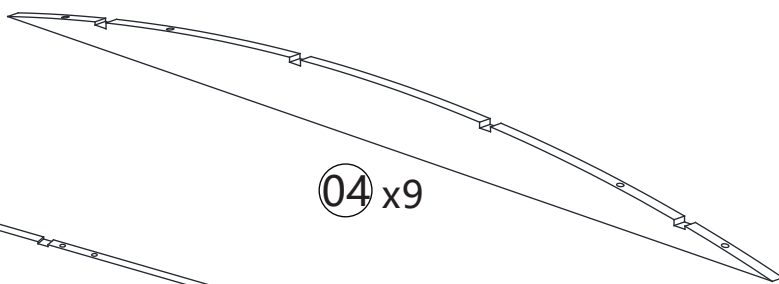
13 x4



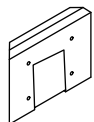
08 x8



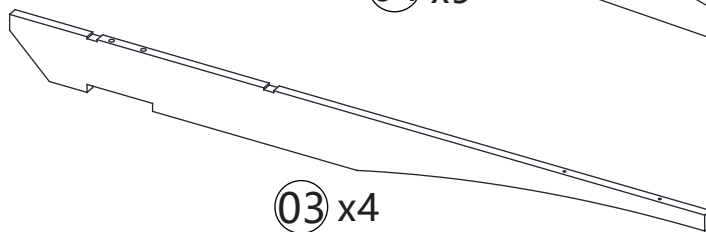
10 x8



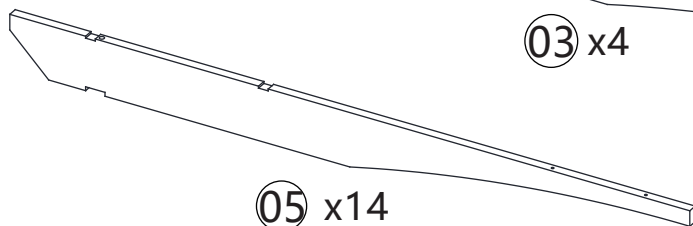
04 x9



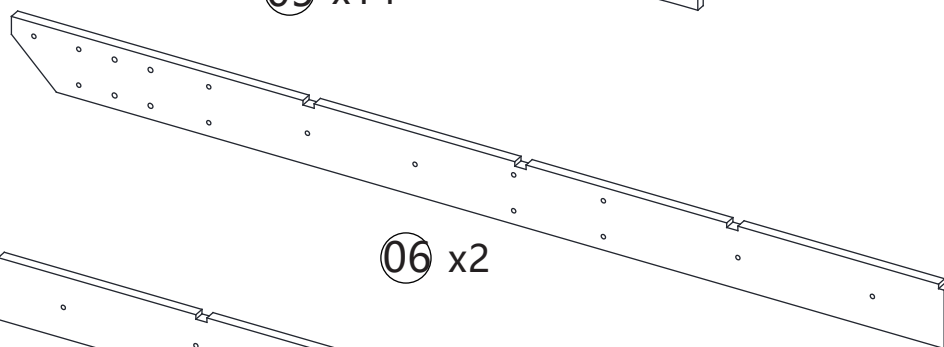
09 x8



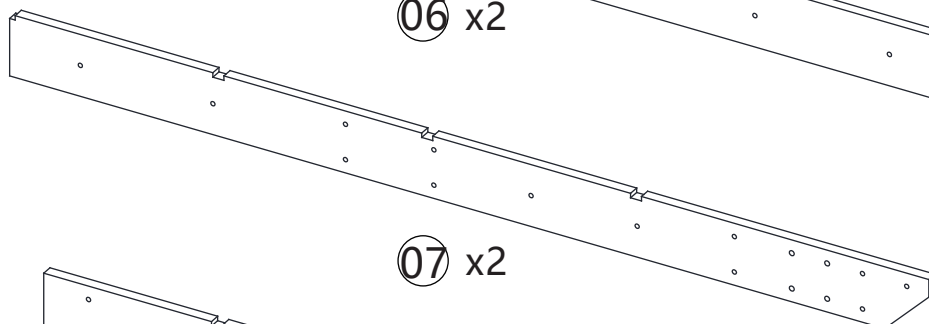
03 x4



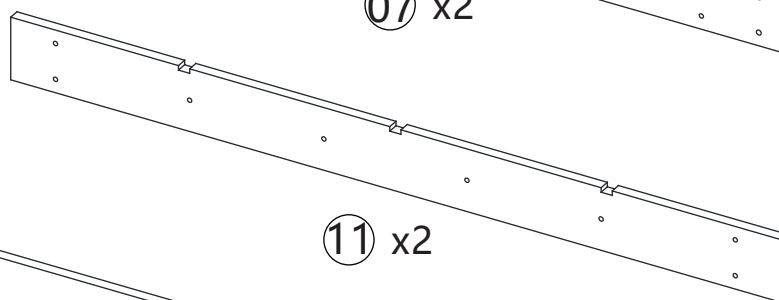
05 x14



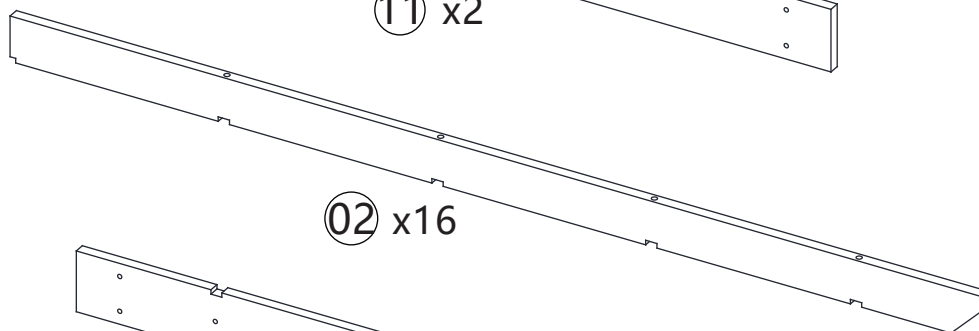
06 x2



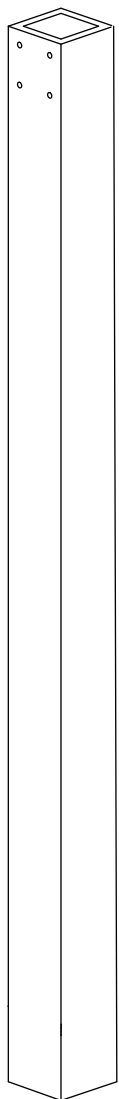
07 x2



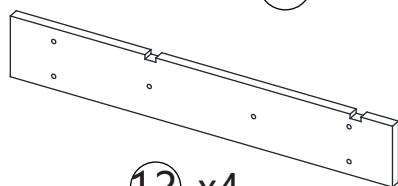
11 x2



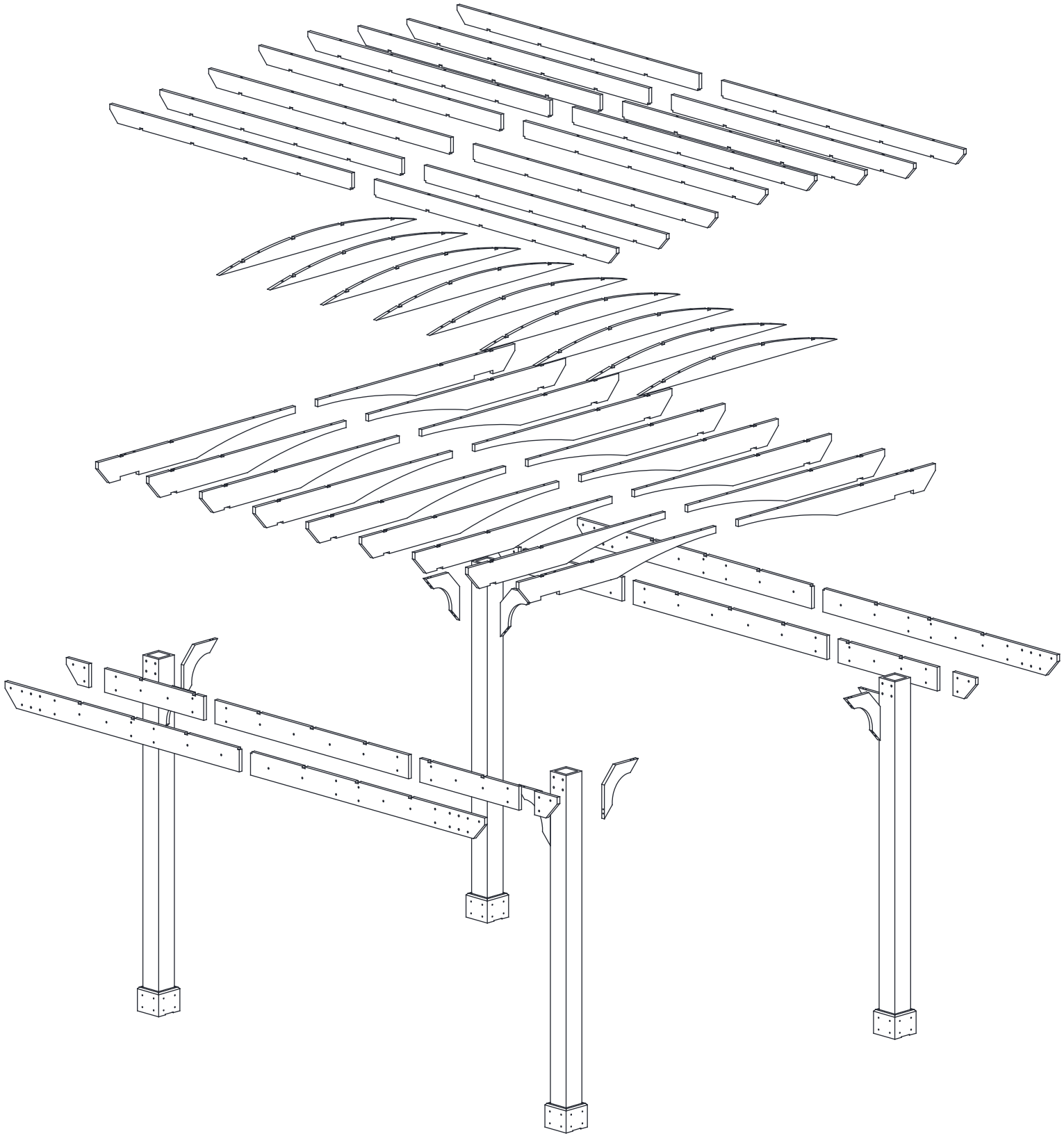
02 x16



01 x4

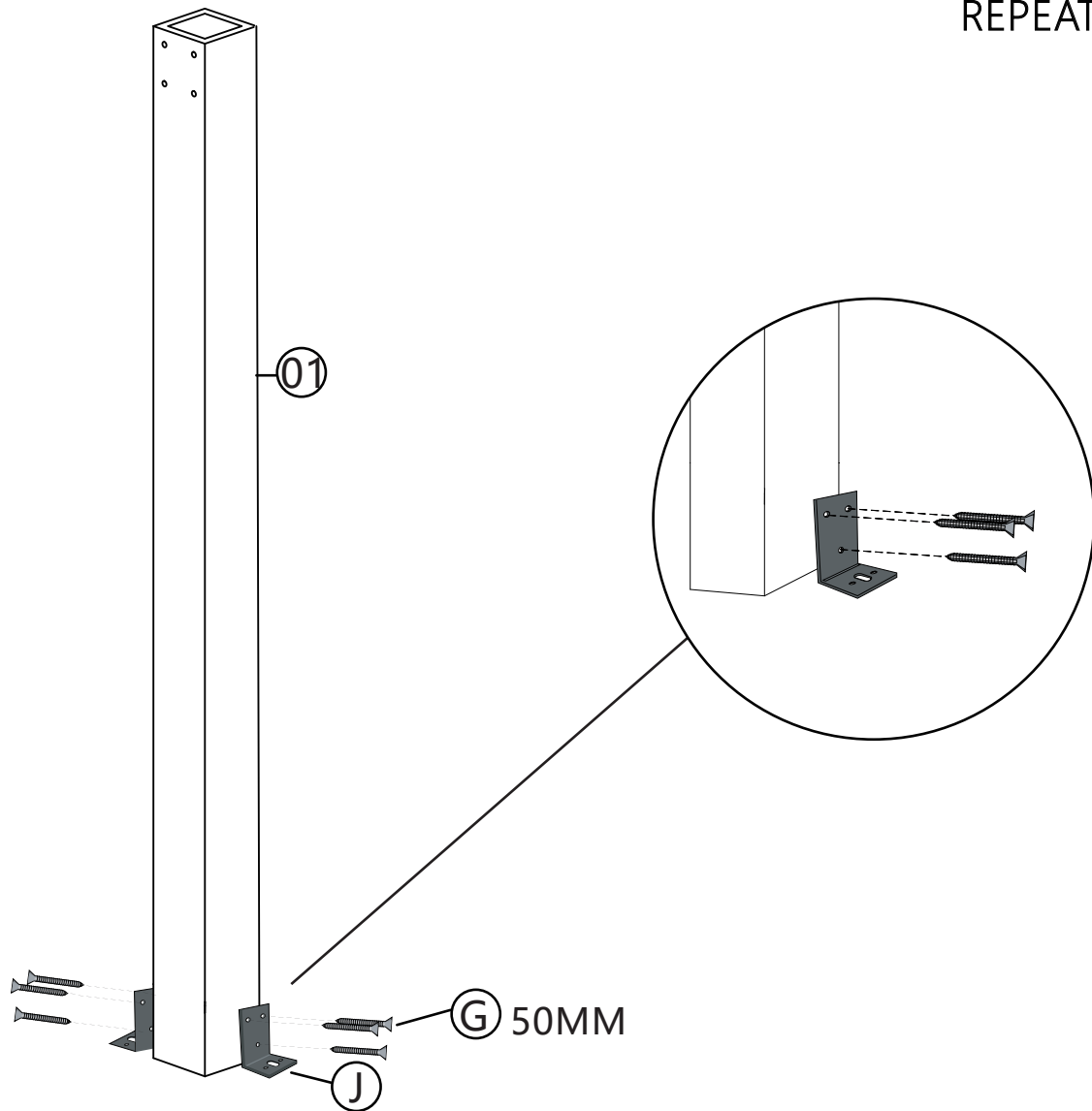


12 x4

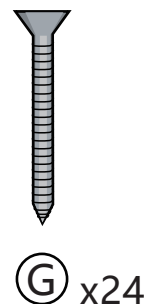
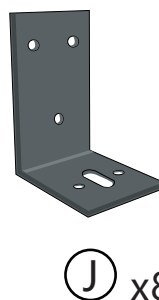
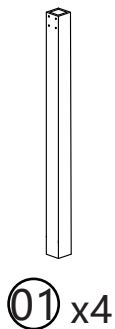


STEP 1-1

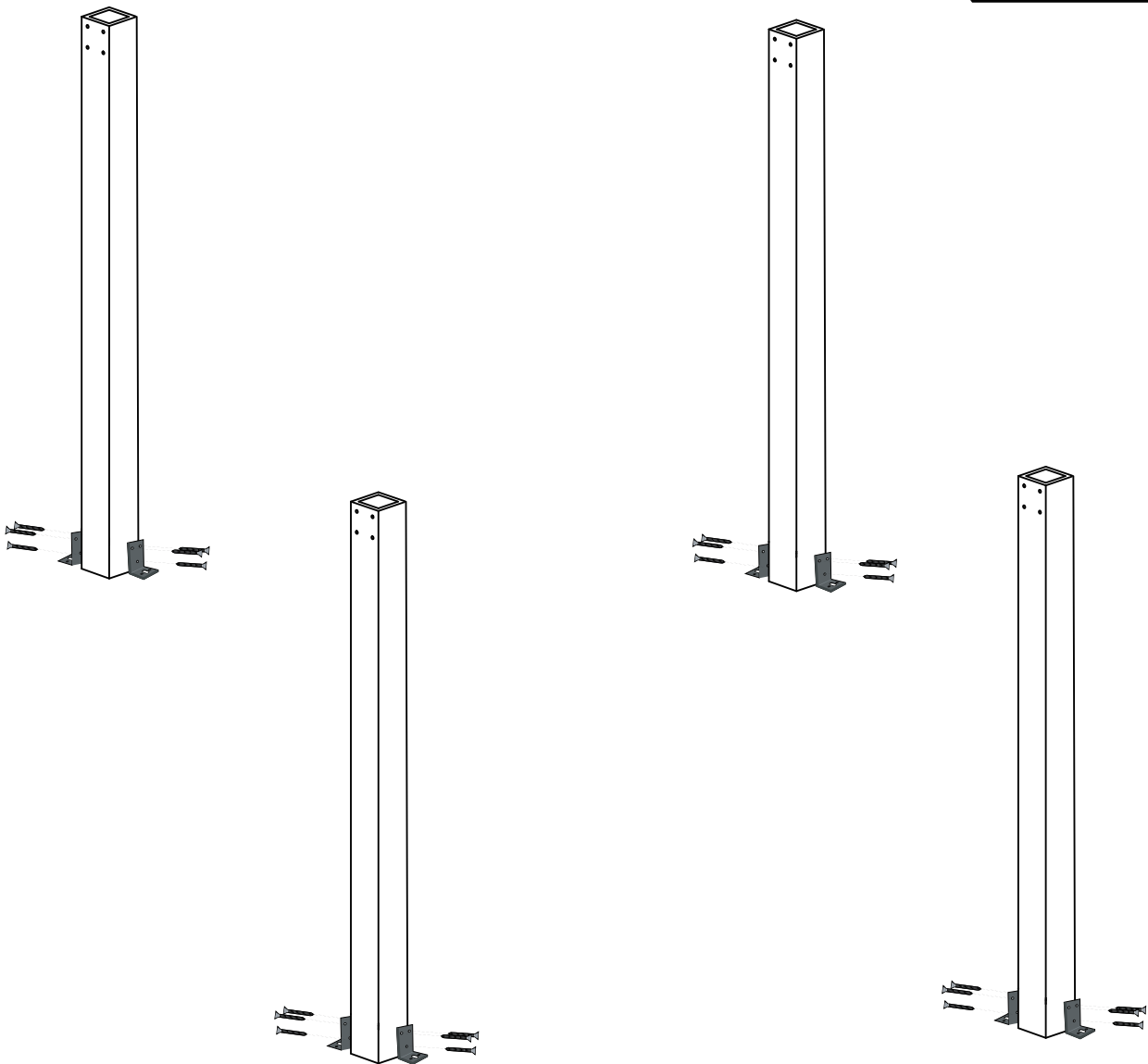
REPEAT 4 TIMES



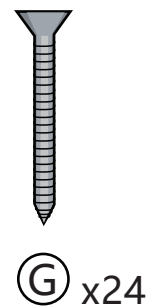
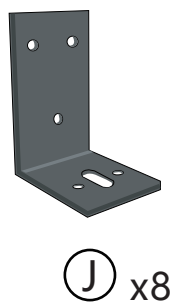
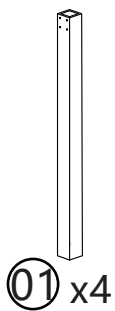
Place an L-shaped Bracket (J) at the bottom of the Post (01), noting that the top and bottom of the Post are different. Place the L-shaped Bracket (J) flush at the bottom, and then fasten it to the Post with three Screws (G) through the pre-drilled holes. Turn the Post around. Install the second Bracket on the Post as shown. (Two L-Brackets per Post).



STEP 1-2

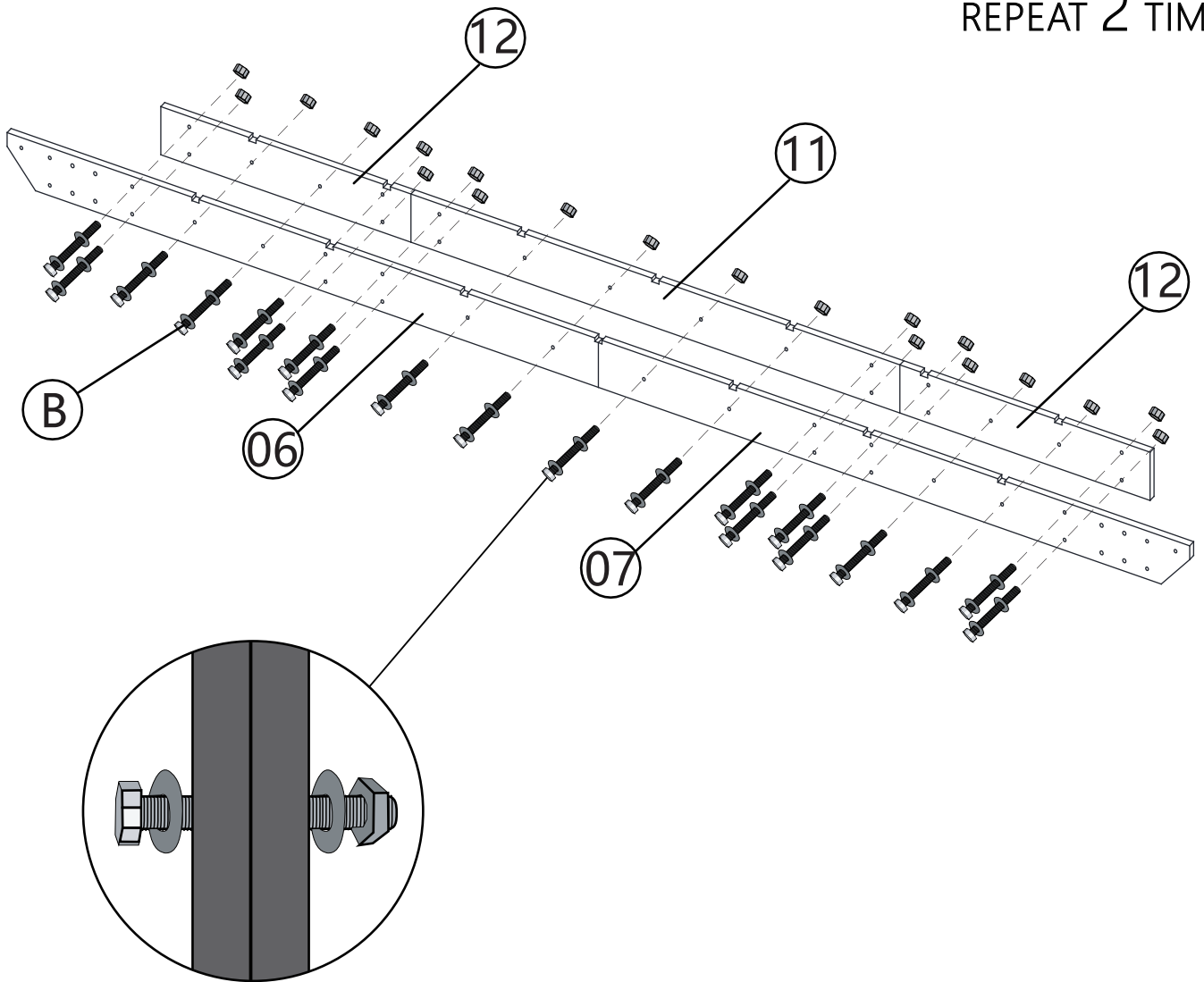


Install the rest six Brackets(J) on the other three Posts(01) as shown.
#Totally four Posts(01), eight L-shaped Bracket (J) and twenty-four Screws(G).

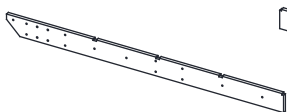


STEP 2

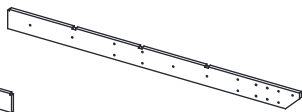
REPEAT 2 TIMES



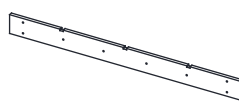
Connect the two long Header Boards(06&07) and three short Header Boards(one11and two 12) together with twenty Screws(B) as shown.



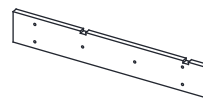
06 x2



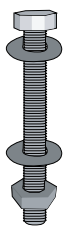
07 x2



11 x2

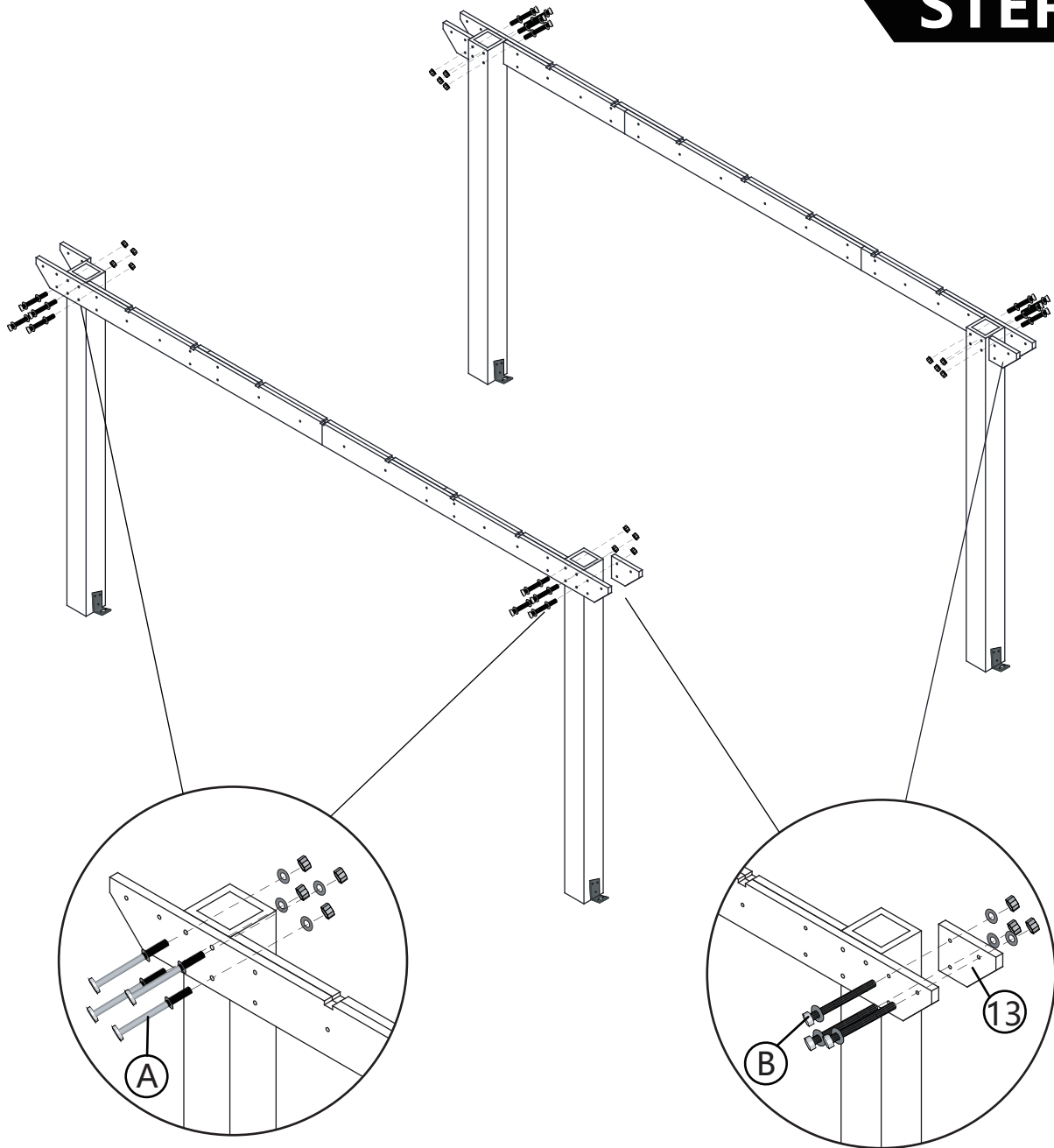


12 x4

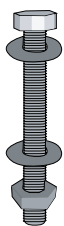


B x40

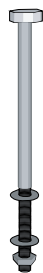
STEP 3



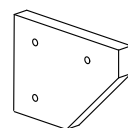
Keep the assembled Header at an angle of 90 and push it against the Post.
Fasten it to the Post with sixteen Screws(A) and twelve Screws(B) through all pre-drilled holes.
(Four Screws(A) and three Screws(B) per Post.)



(B) x12



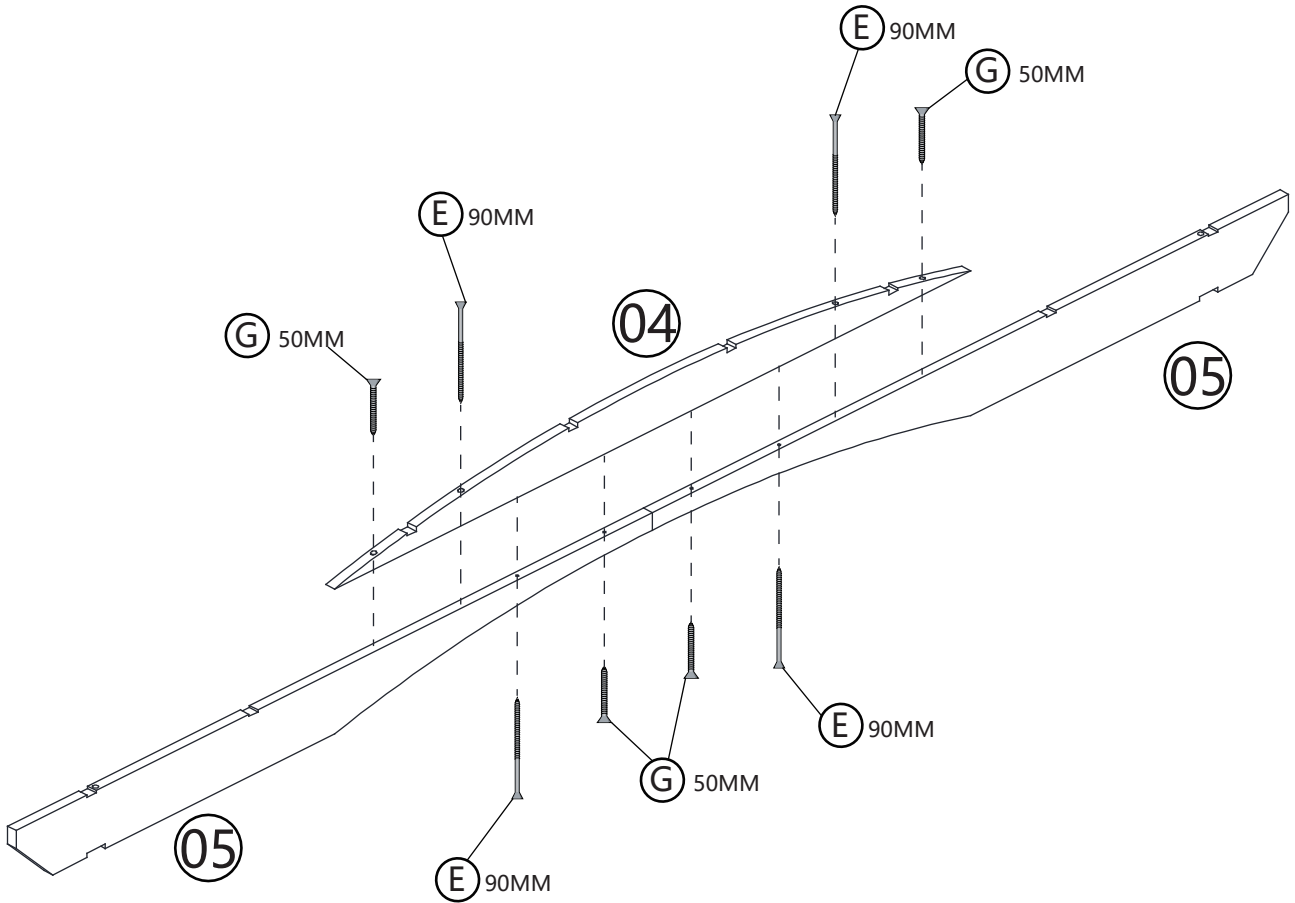
(A) x16



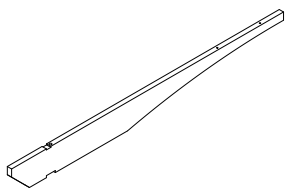
(13) x4

STEP4-1

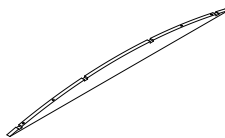
REPEAT 7 TIMES



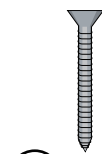
Fasten the Top Rafter Board(04) to the two Bottom Rafter Boards(05) with four Screws(G) and four Screws(E).Then install the rest Rafter Boards.
Finally you will get seven assembled Inner Rafters.



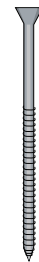
(05) x14



(04) x7



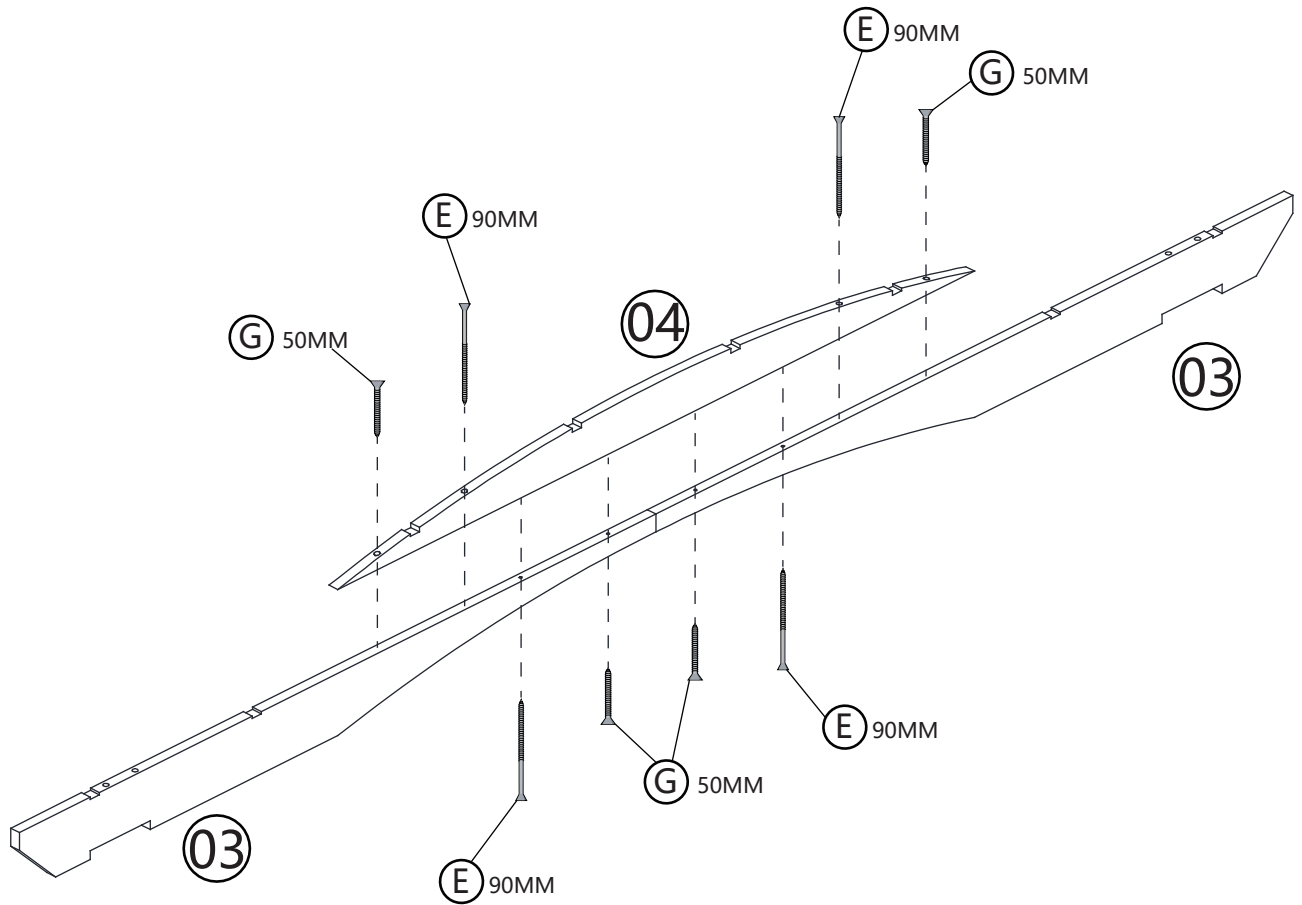
(G) x28



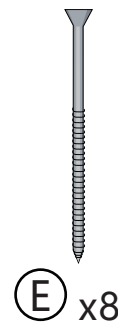
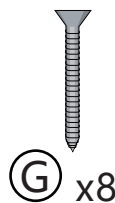
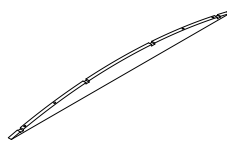
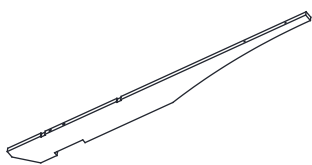
(E) x28

STEP 4-2

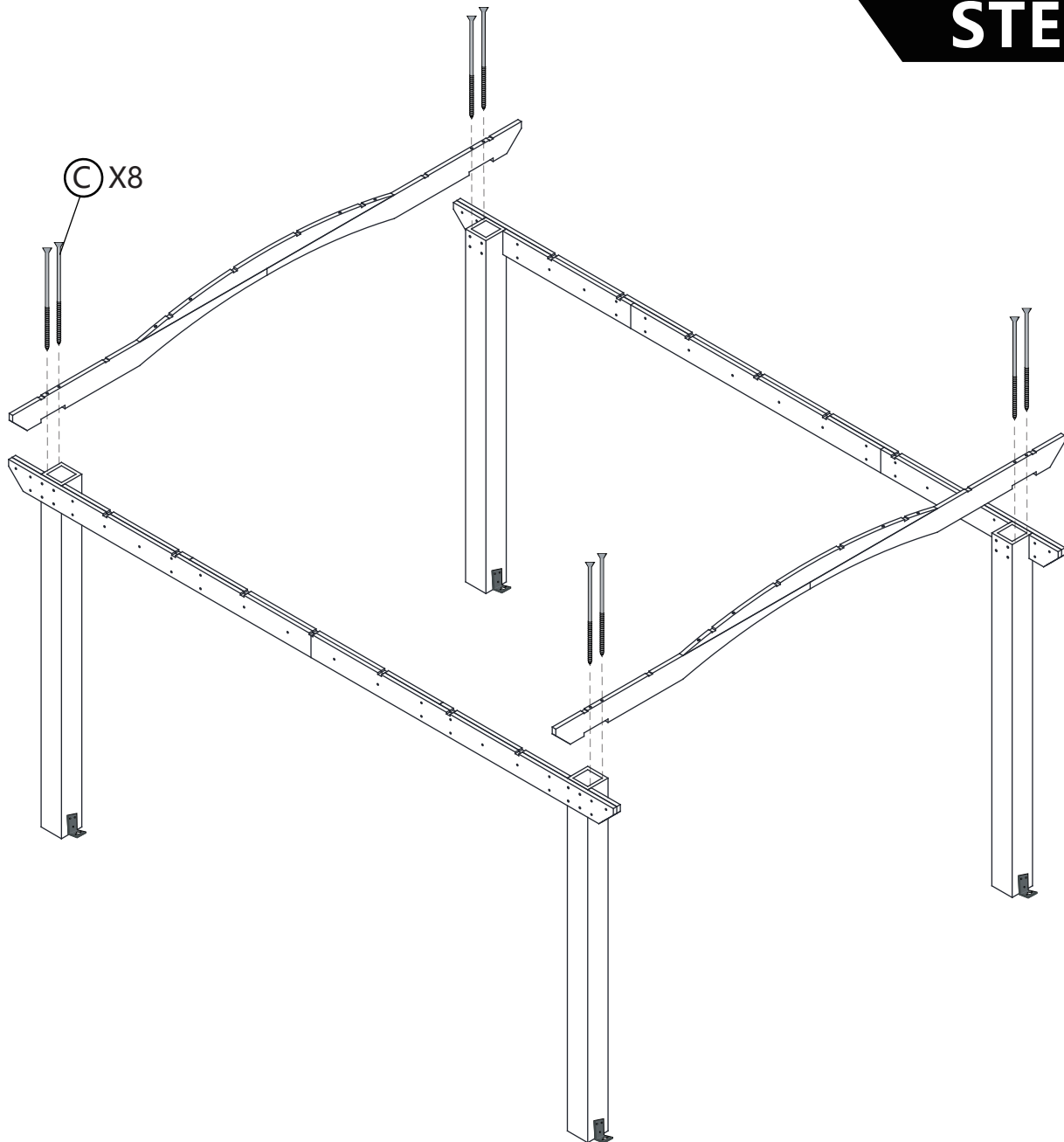
REPEAT 2 TIMES



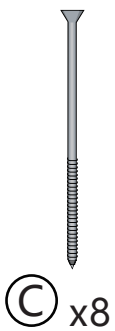
Next, fasten the Top Rafter Board (04) to the two Bottom Rafter Boards (03) with four Screws (G) and four Screws (E). (Totally two Outside Rafters Assembled.)



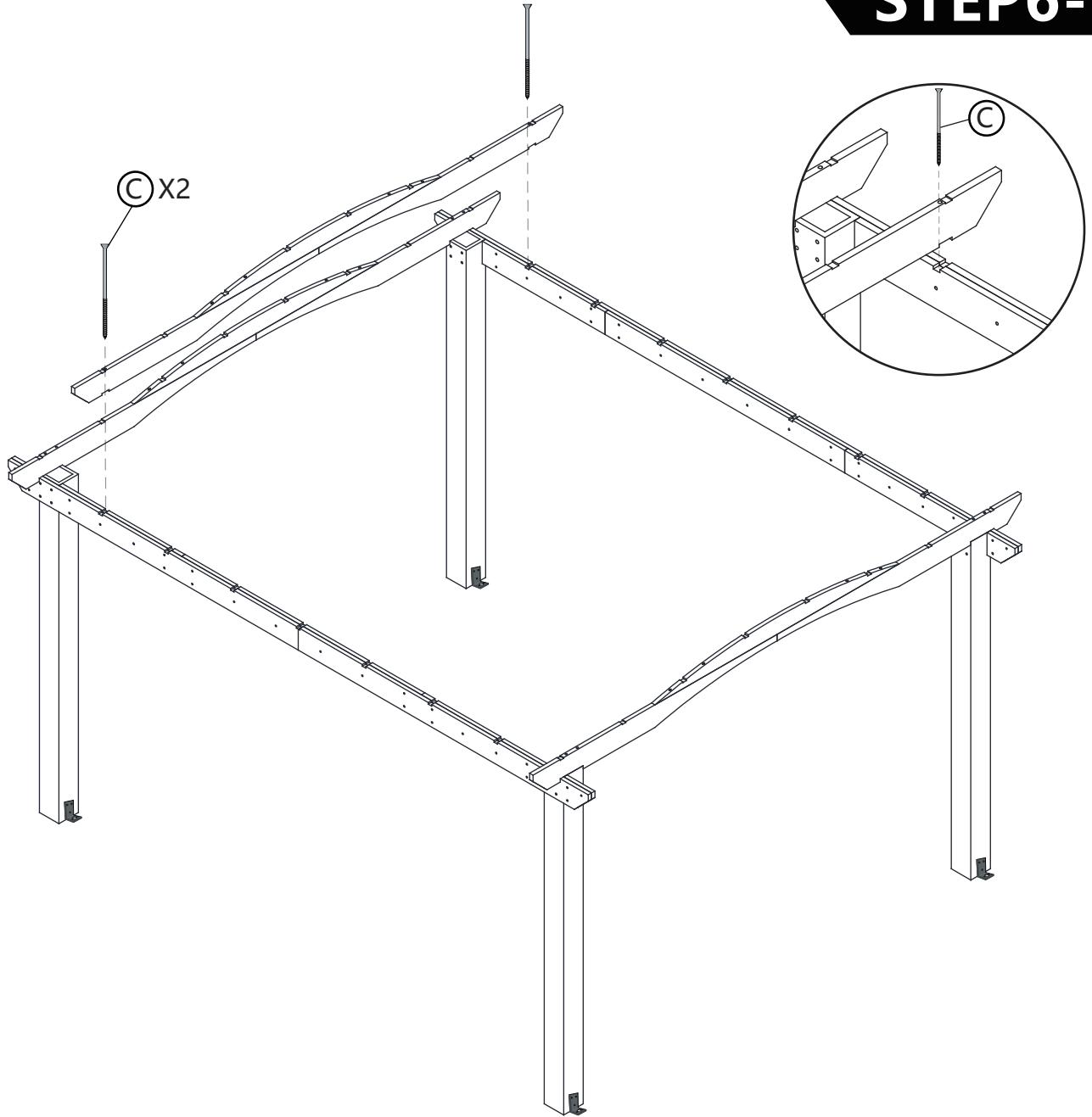
STEP 5



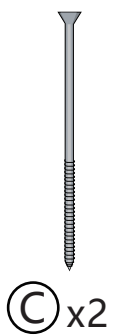
Lift the two Outer Rafts into the notches of the Headers. Place the Rafters so that the marks on the Rafters are flush with the outside of the Headers. Connect the Rafters to the Headers on both sides with eight Screws (C) through the pre-drilled holes. (Two Screws on each side of the Rafter.)



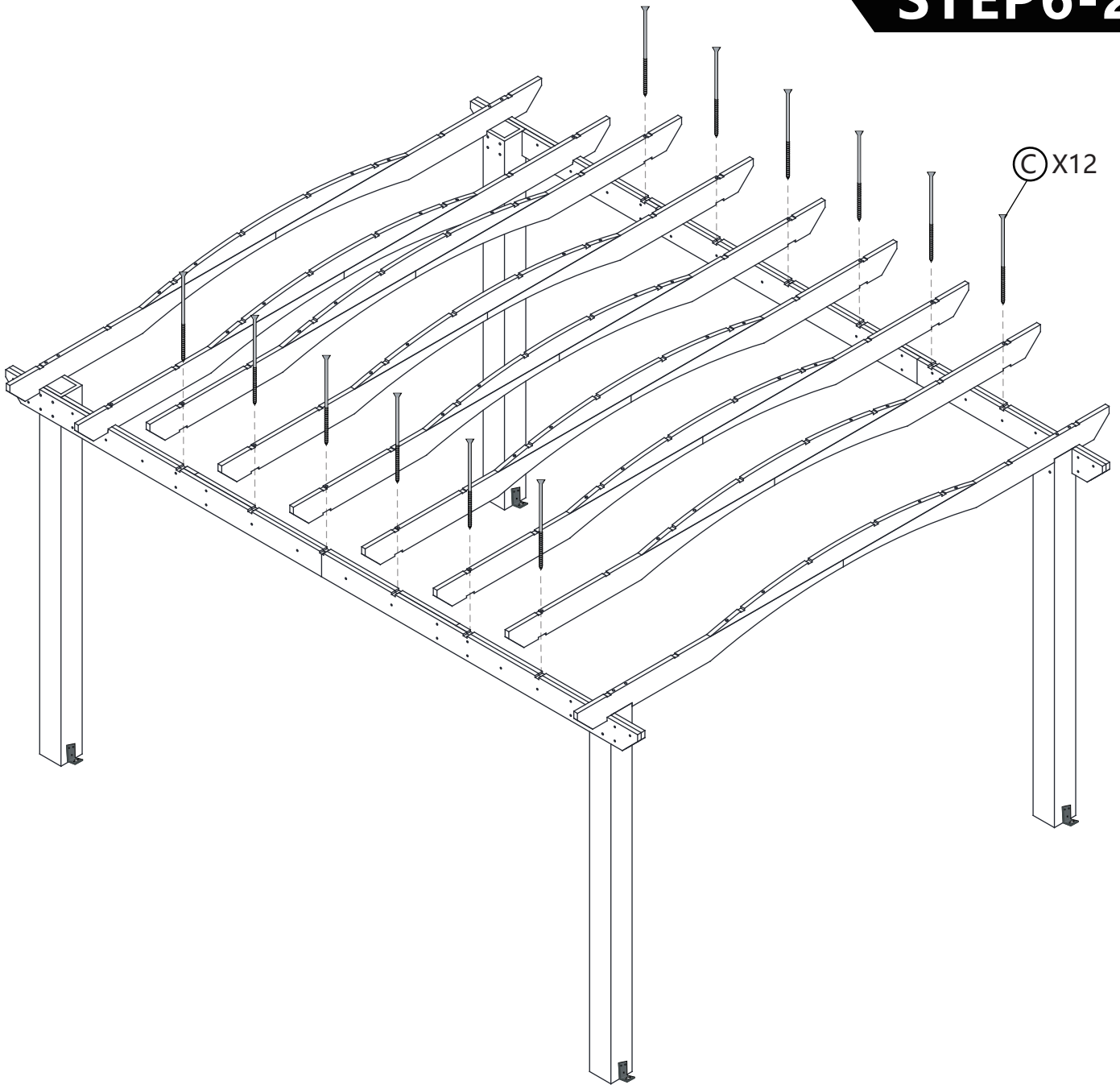
STEP 6-1



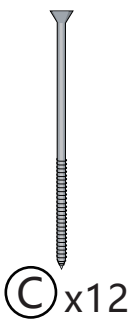
Now install the inner Rafter and lift it into the notches of the Headers.
Connect the Rafter to the Header with two Screws (C)
through pre-drilled holes. (One Screw on each side of the Rafter).



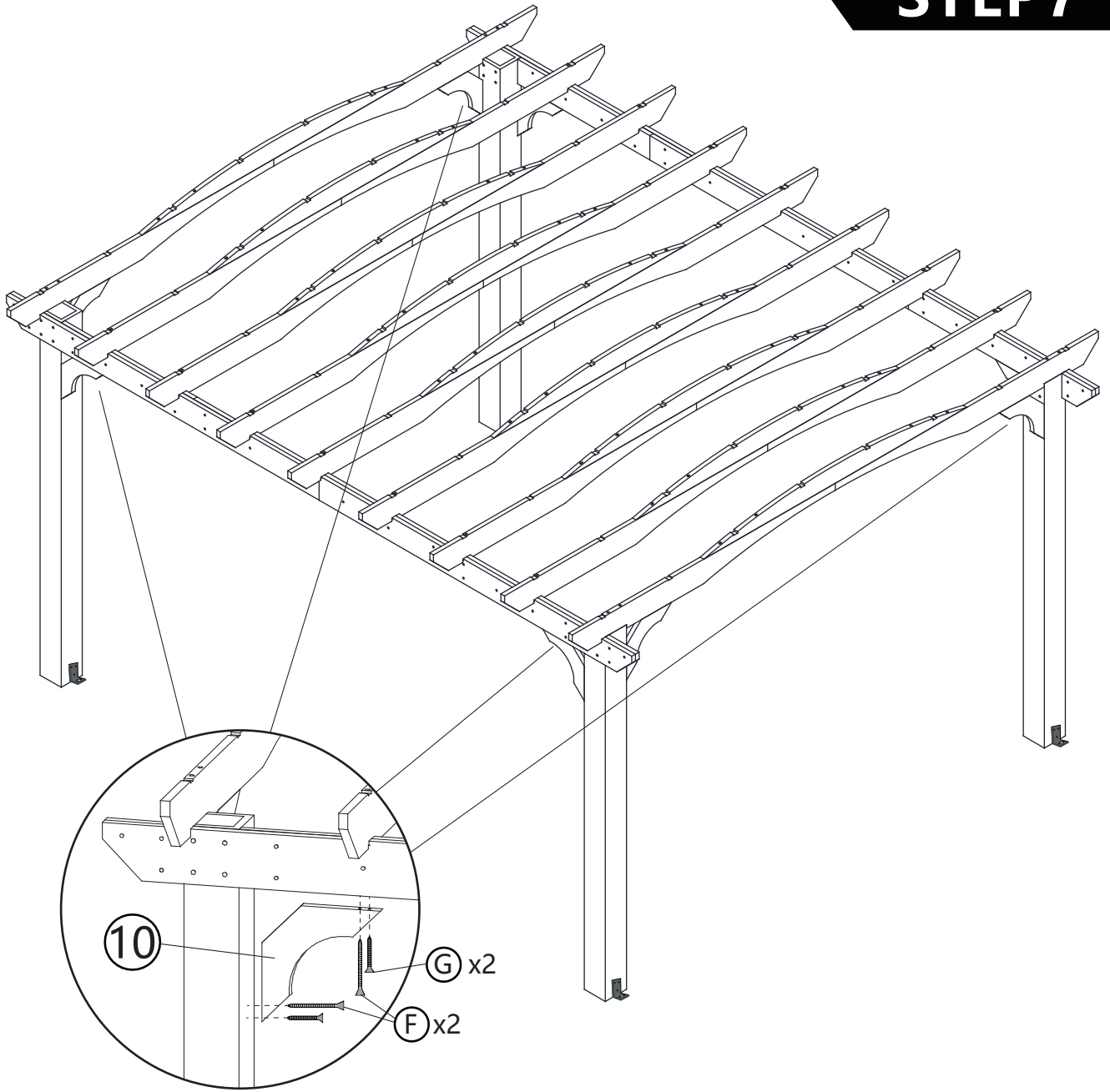
STEP 6-2



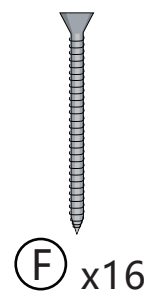
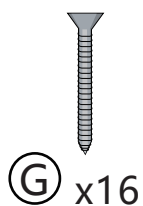
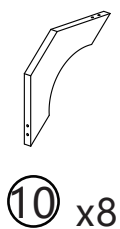
Now install all remaining six Inside Rafters as shown in previous step.



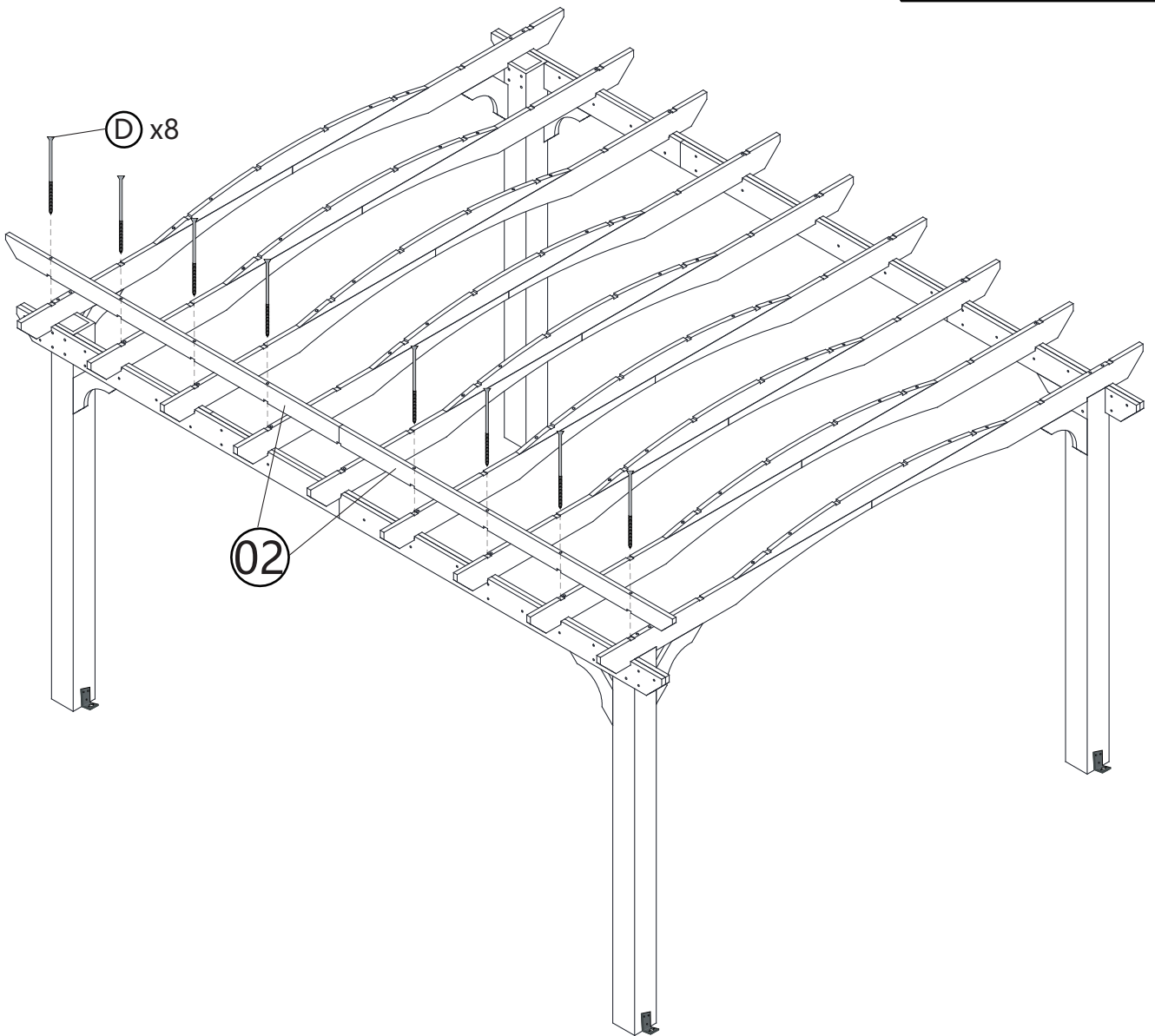
STEP 7



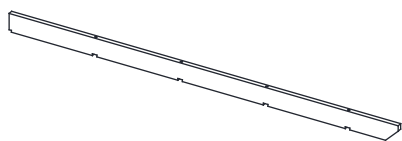
Locate the Brace(10). Make it flush with the outside of the Header and outside of the Post.
Fasten it with four Screws (Two Screw(G) and Two Screws(F))
through pre-drilled holes as shown. (Two into Header and Two into Post)



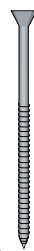
STEP 8-1



Locate the Stringer (02). Put it on the top of the Rafters.
Pay attention to the direction of the Stringer. Position the Stringer
firmly into the notches. Fasten each Rafter with eight Screws (D) through the pre-drilling holes.

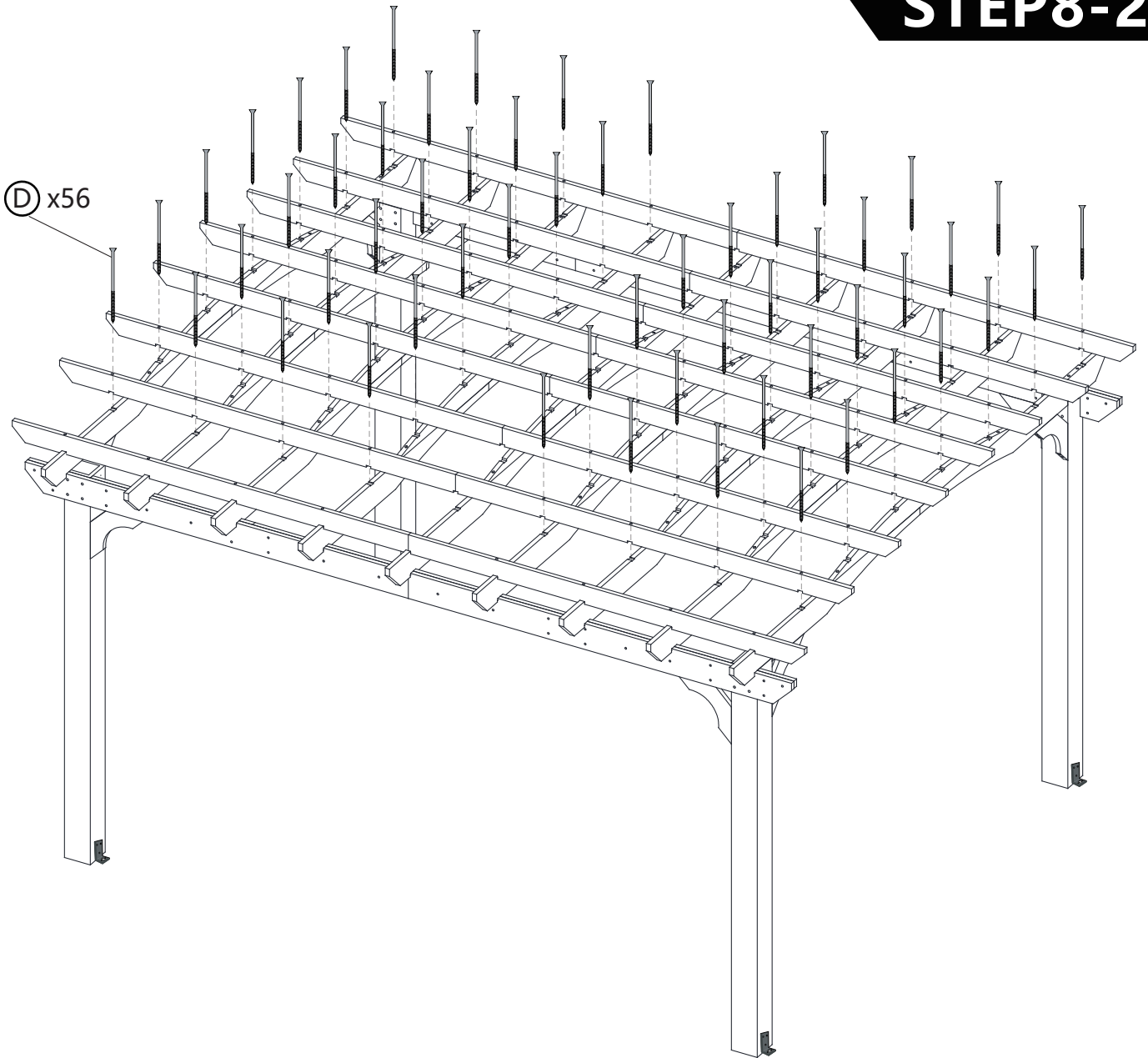


02 x2

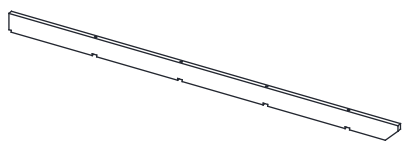


D x8

STEP8-2



Install all remaining Stringers as shown in the previous step.

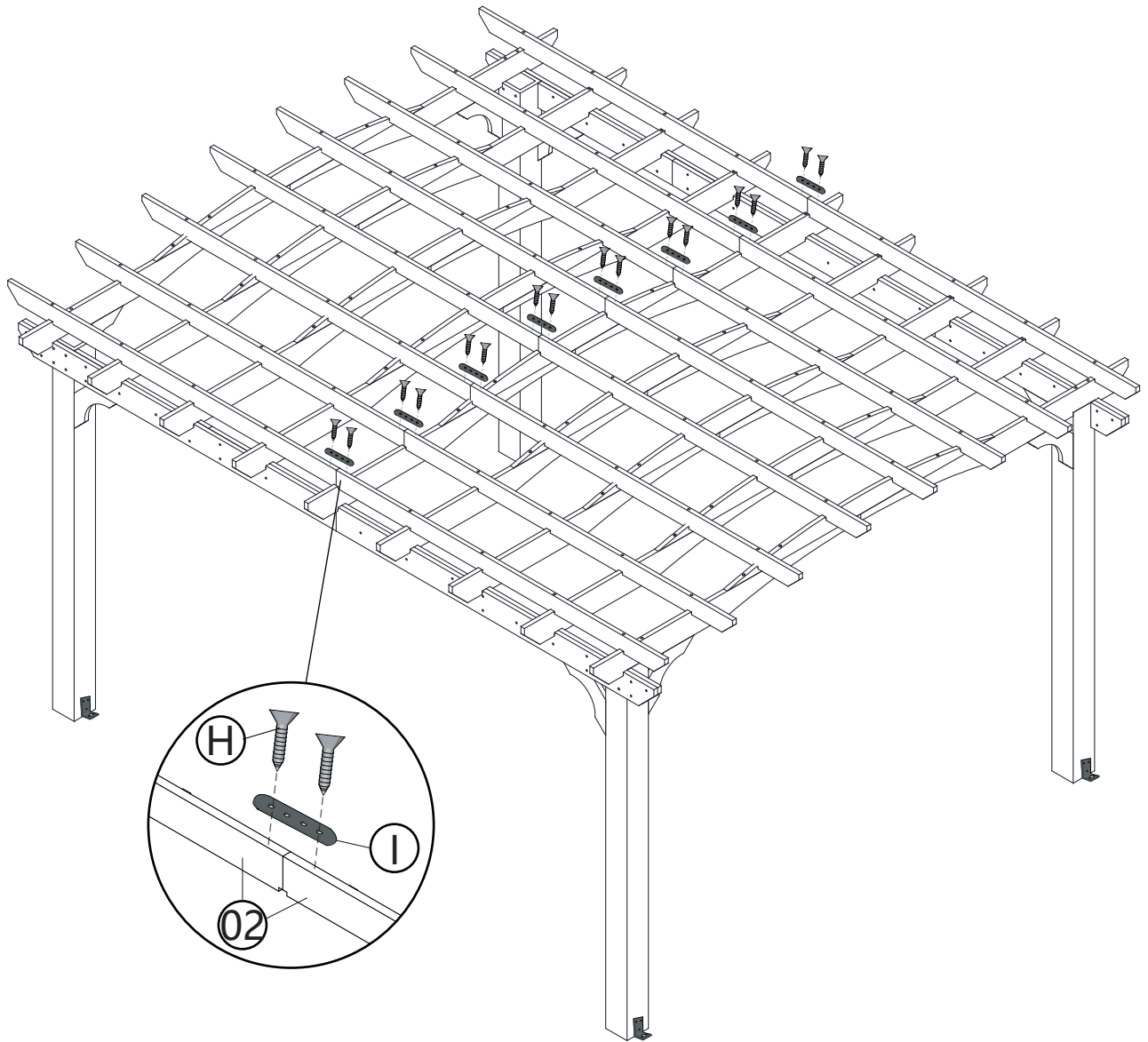


02 x14



D x56

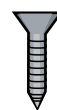
STEP 9



Locate the Part(I).Place it on the top of the Stringers(02). Fasten it with two Screws(H) through pre-drilled hole.Then install all remaining Parts as shown.(Totally sixteen Screws(H))

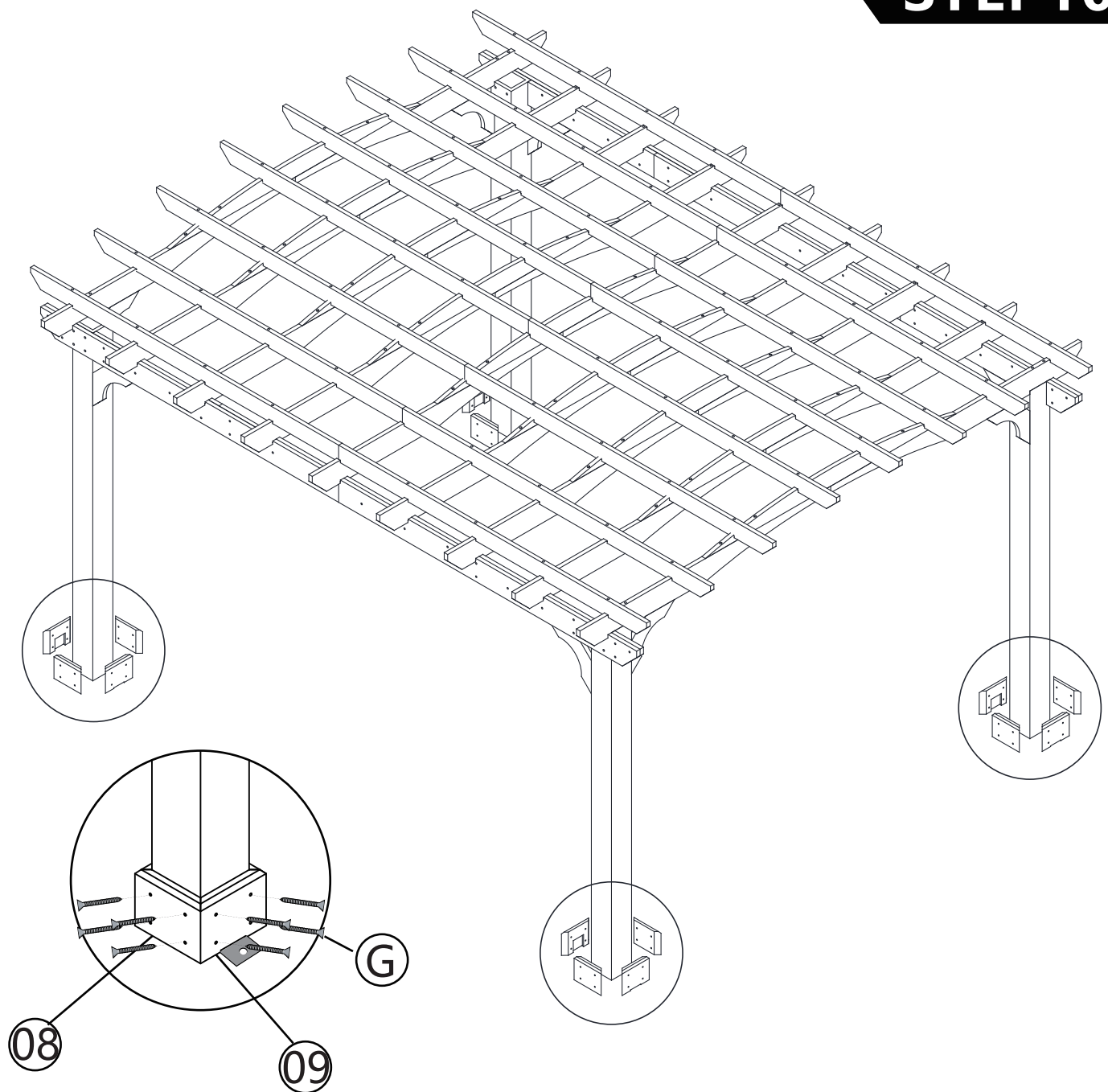


(I) x8

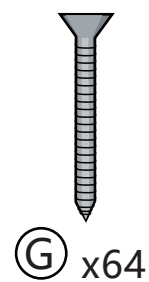
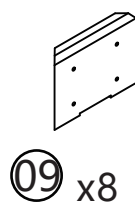
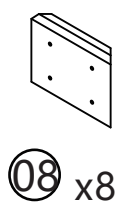


(H) x16

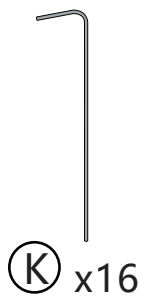
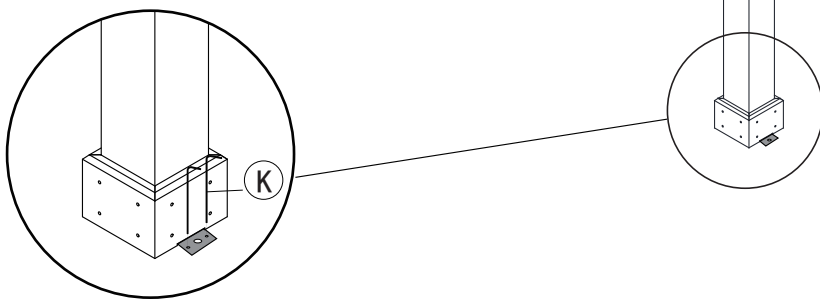
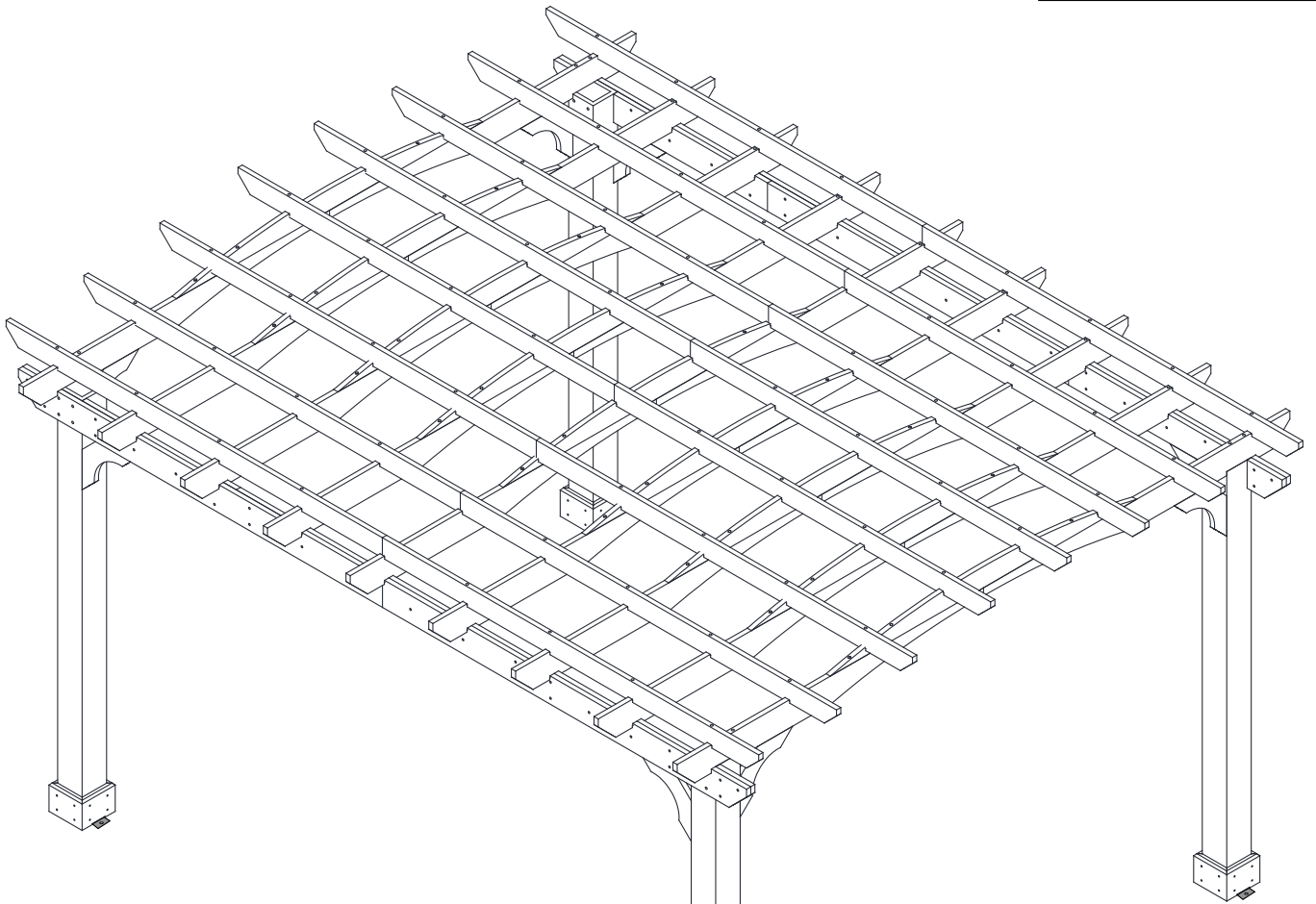
STEP 10



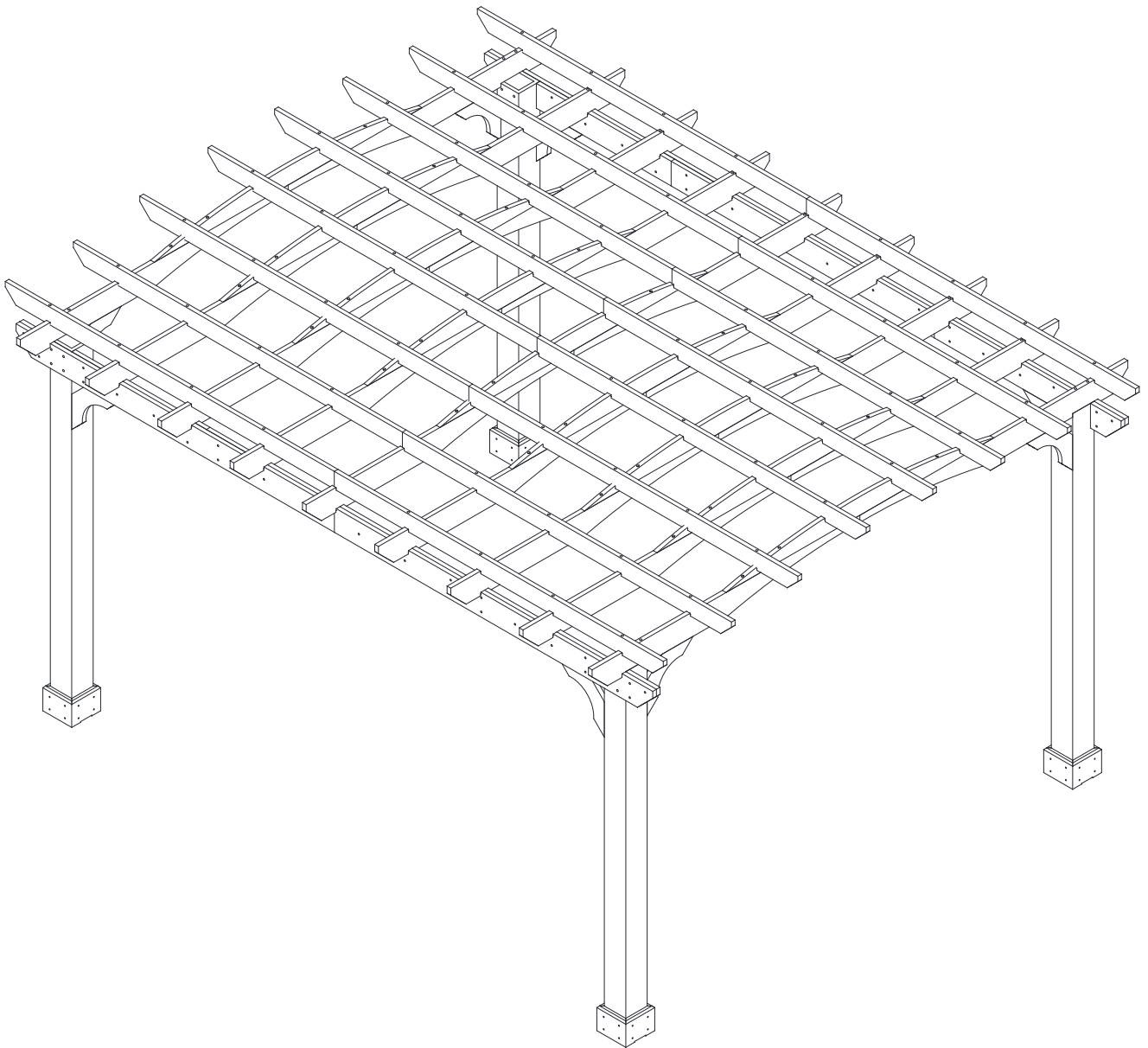
Locate the Post Skirt Pieces (08 & 09). Place the four Post Skirt Pieces against the post on the side. Fasten the Post Skirt Pieces together with sixteen Screws (G) through pre-drilled holes at each Post. Repeat this step on the second Post.



STEP 11



Enjoy your products!



If you have any problem,
please E-mail us at customerservice@veikous.com.