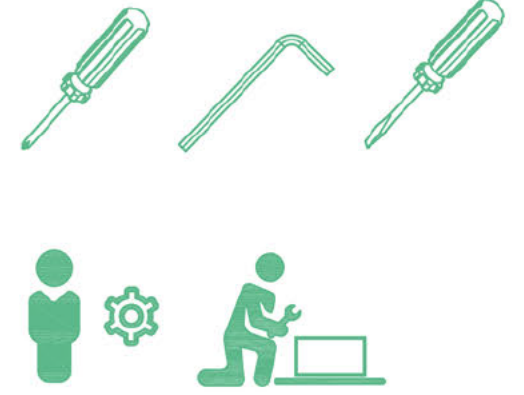


TOOLS:



**UNIT:MM  
PACKAGE-A**

1	4	5	6	7	8	12	13 X 3
1070X457X37	950X416X18	400X192X18	950X376X18	950X192X30	950X60X15	1050X438X60	571X292X3

**UNIT:MM  
PACKAGE-A**

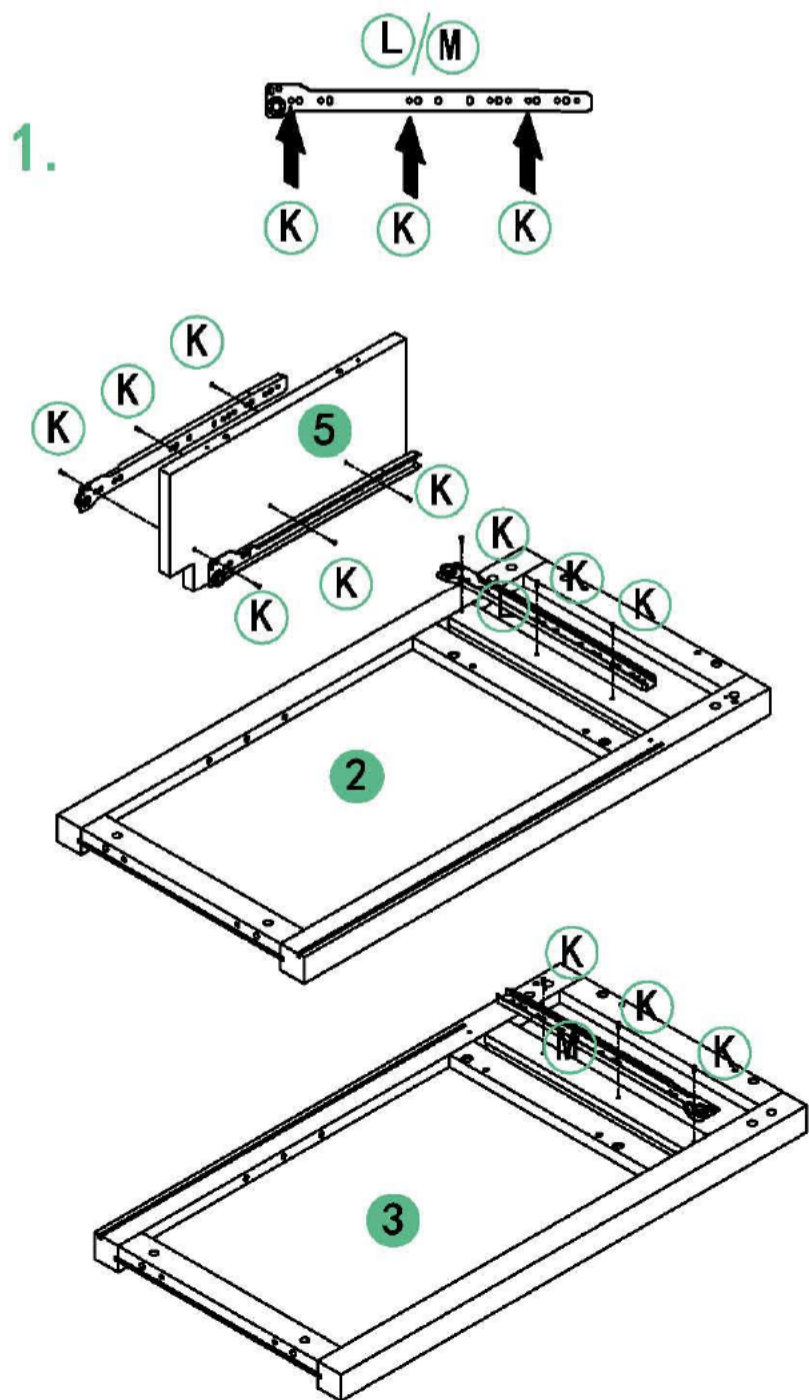
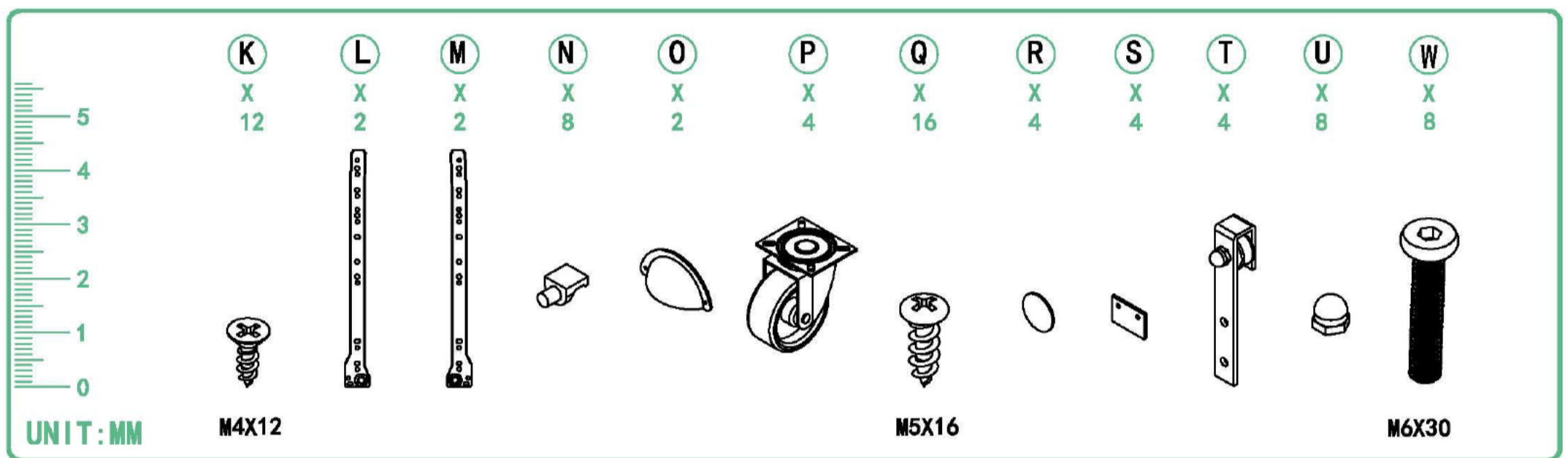
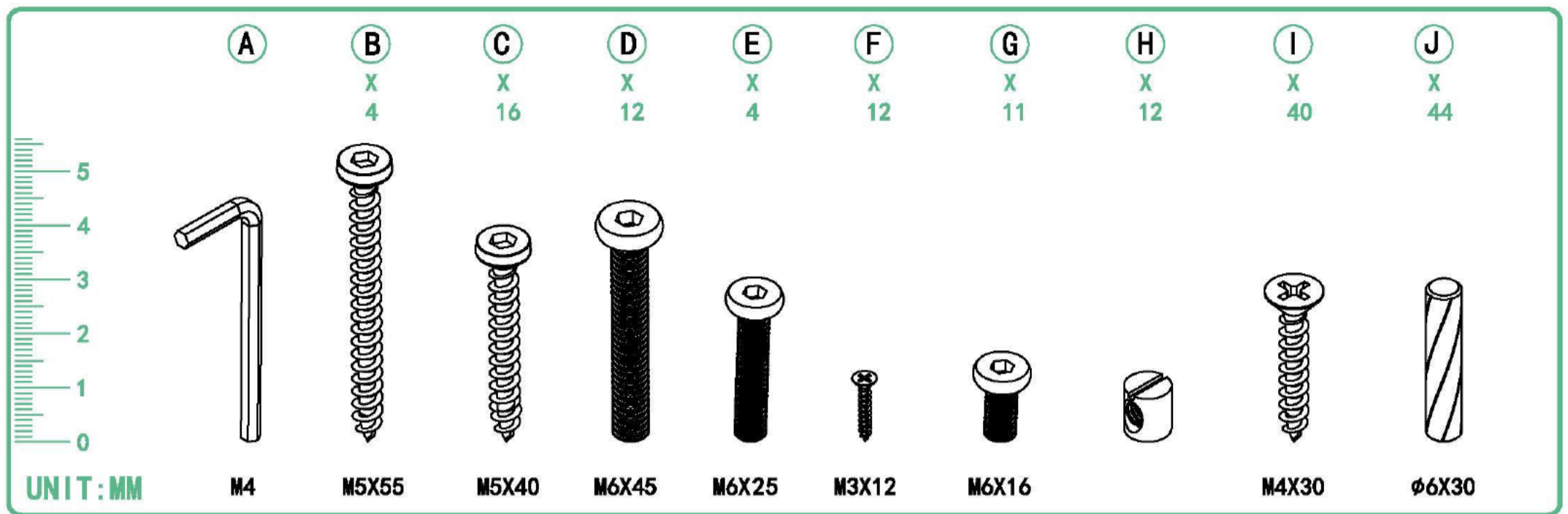
22 X 2	23 X 2	V X 1
416X117X12	425X335X3	

**UNIT:MM  
PACKAGE-B**

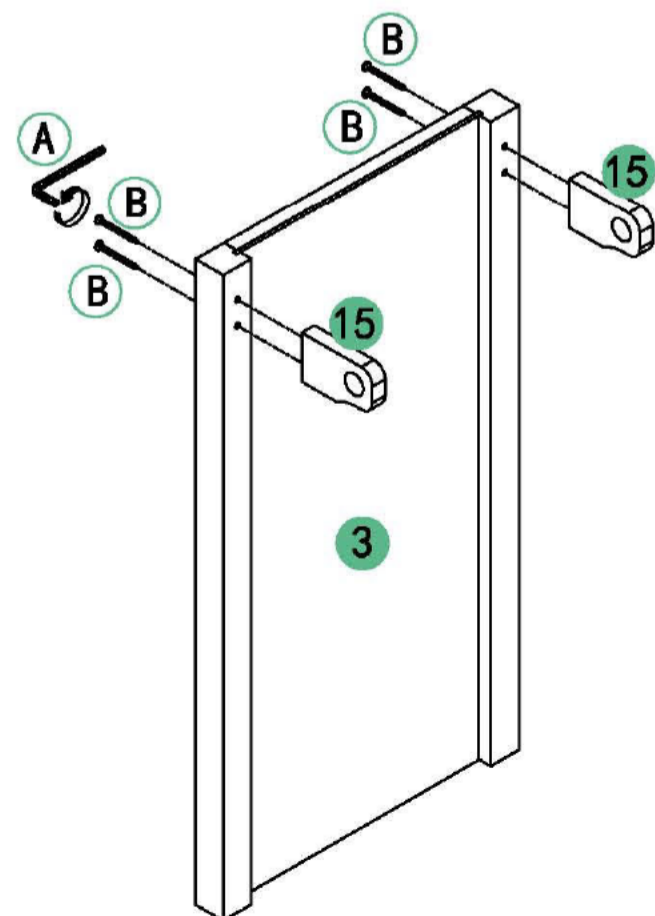
2	3	9	10
790X418X39	790X418X39	562X373X15	562X373X15

**UNIT:MM  
PACKAGE-B**

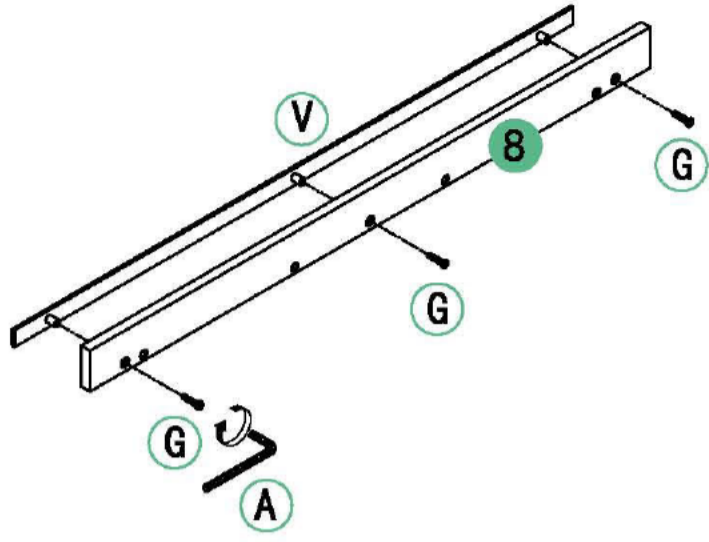
11 X 4	14 X 2	15 X 2	16	17 X 2	18 X 2	19 X 2	20 X 2	21 X 2
370X307X40	562X50X15	100X60X18	435Xø25	555X321X15	359X322X12	462X147X27	350X117X12	350X117X12



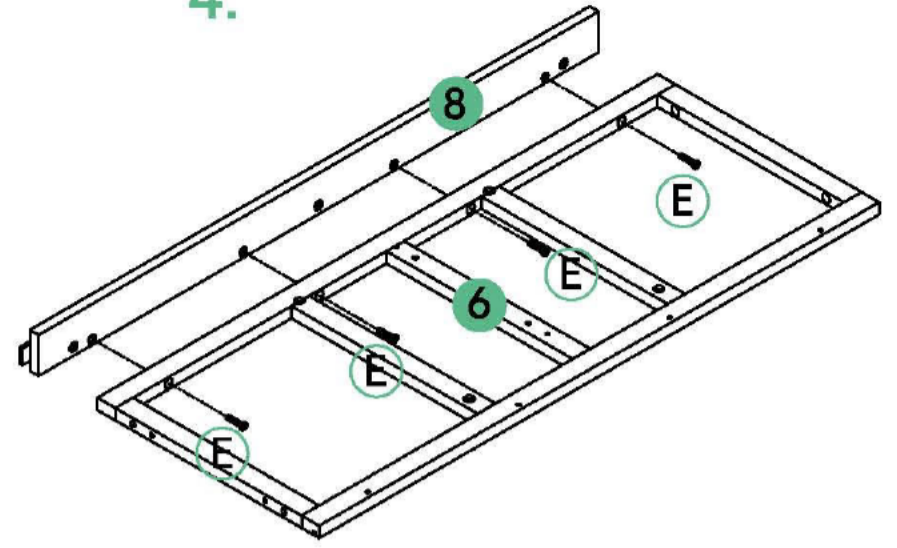
2. If you want to install the round bar on the left, please install it on part 3. If you want to install the round bar on the right, please install it on part 2.



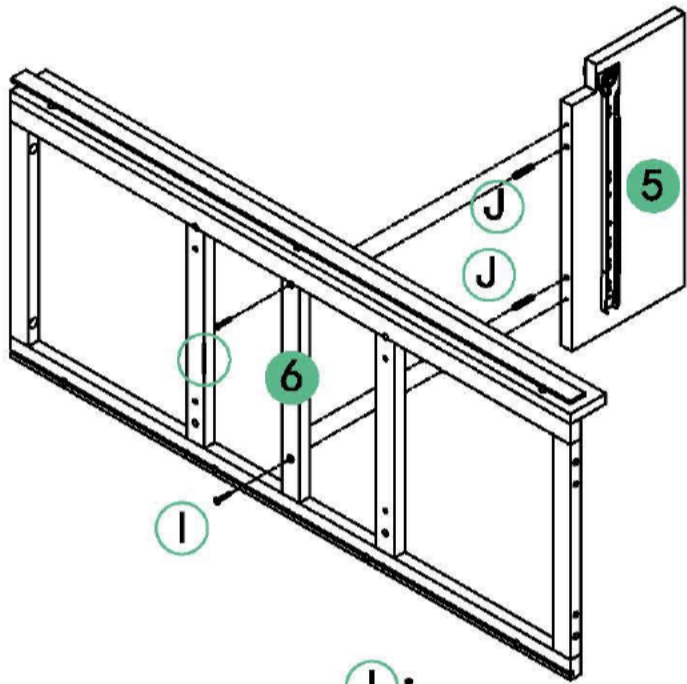
3.



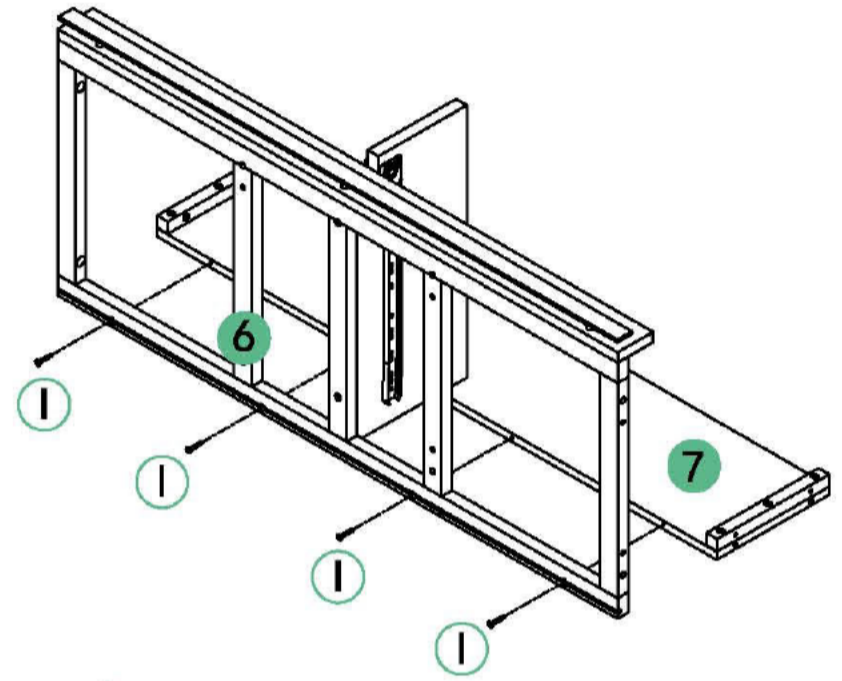
4.



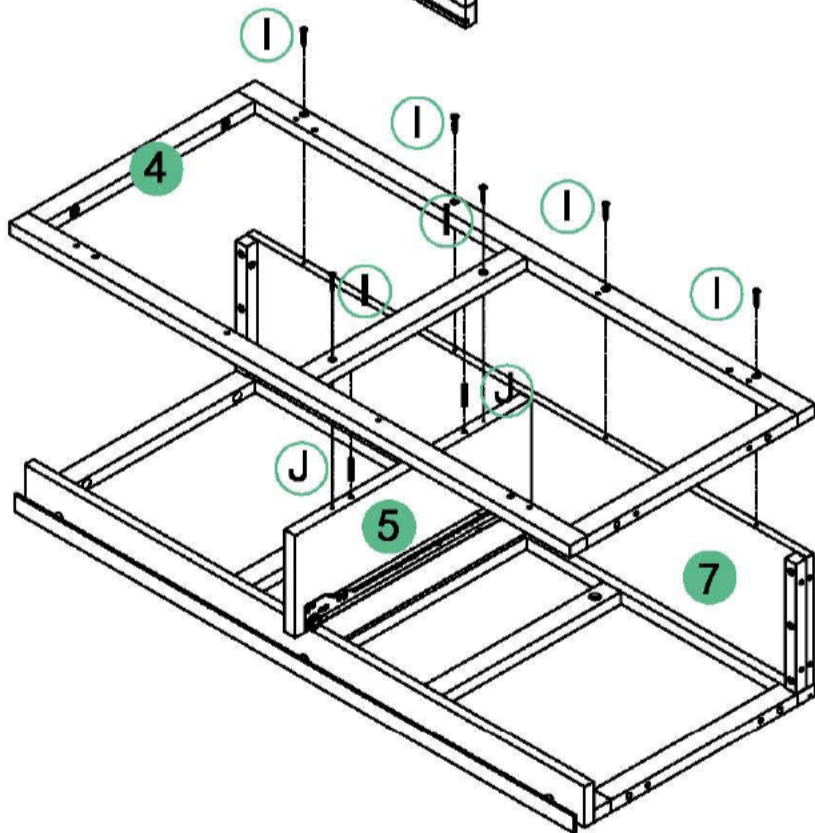
5.



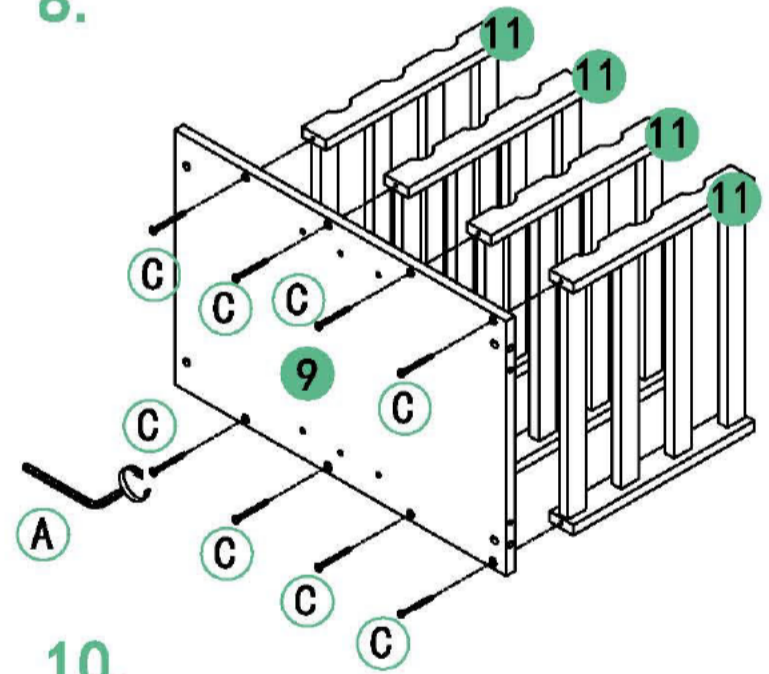
6.



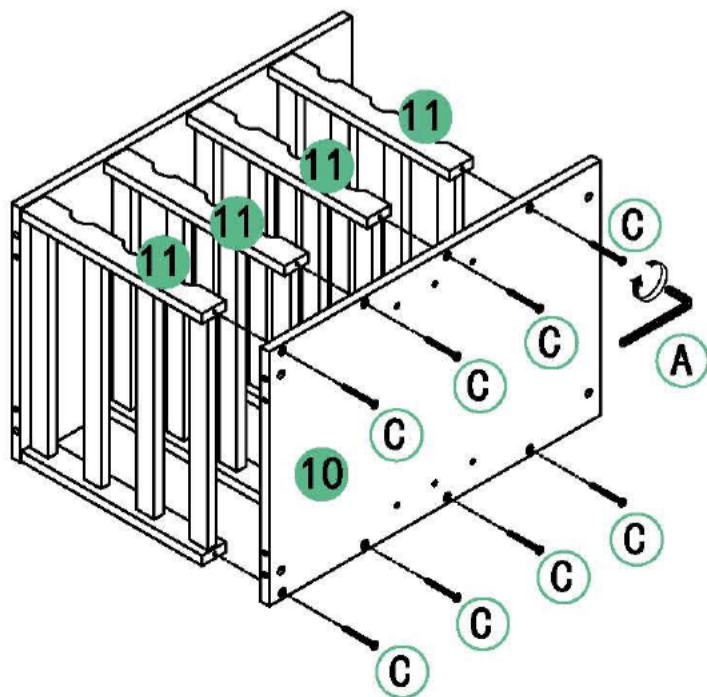
7.



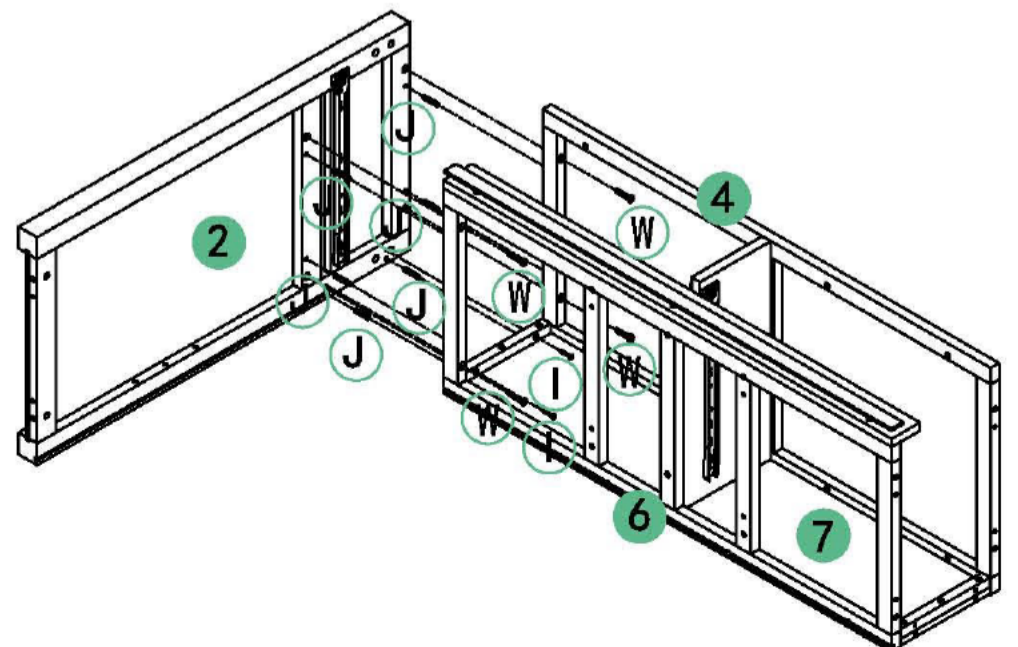
8.



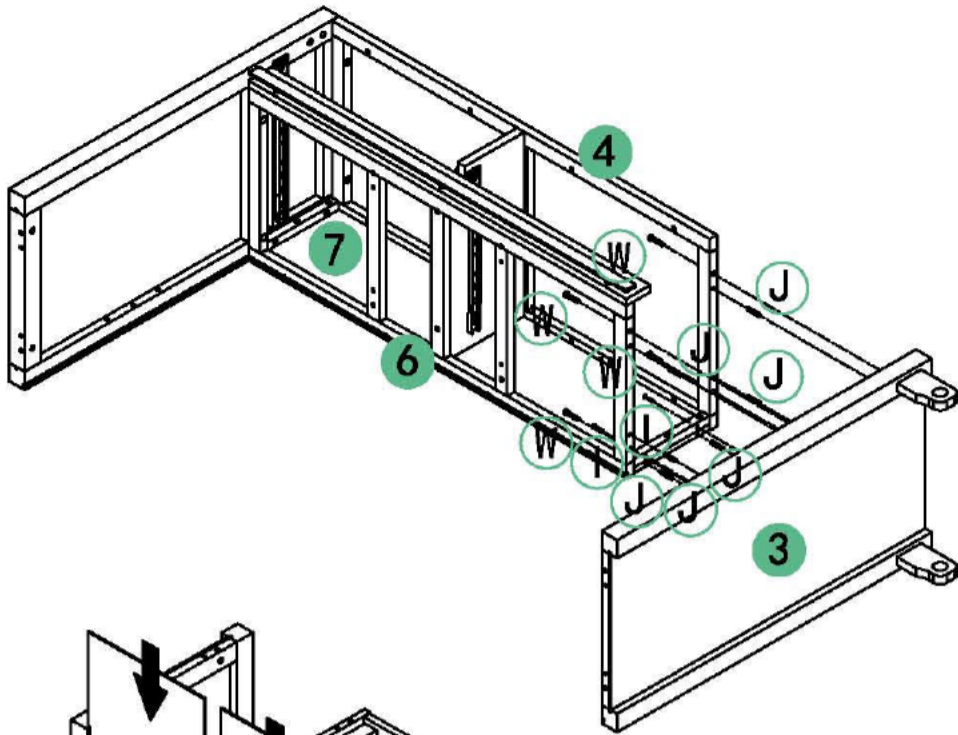
9.



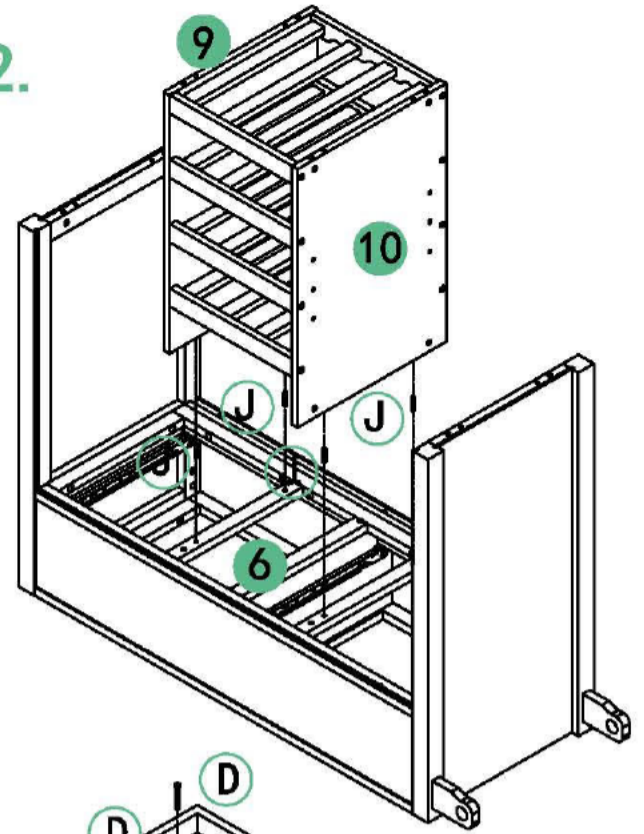
10.



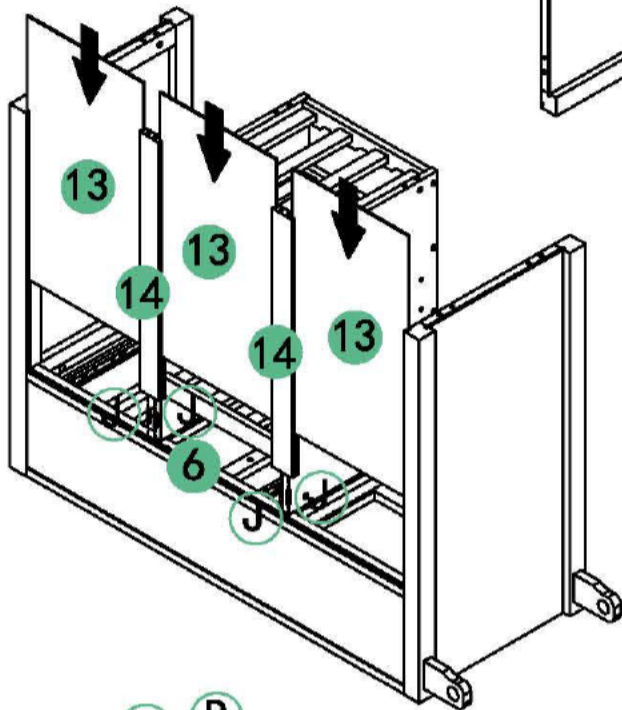
11.



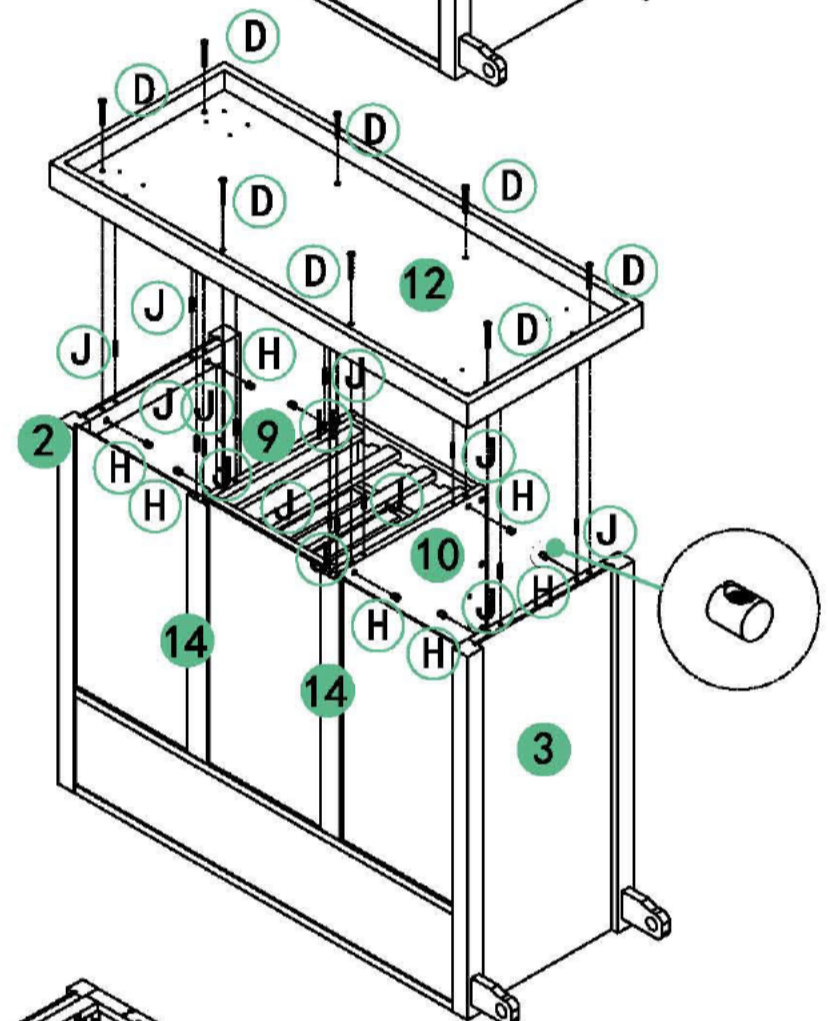
12.



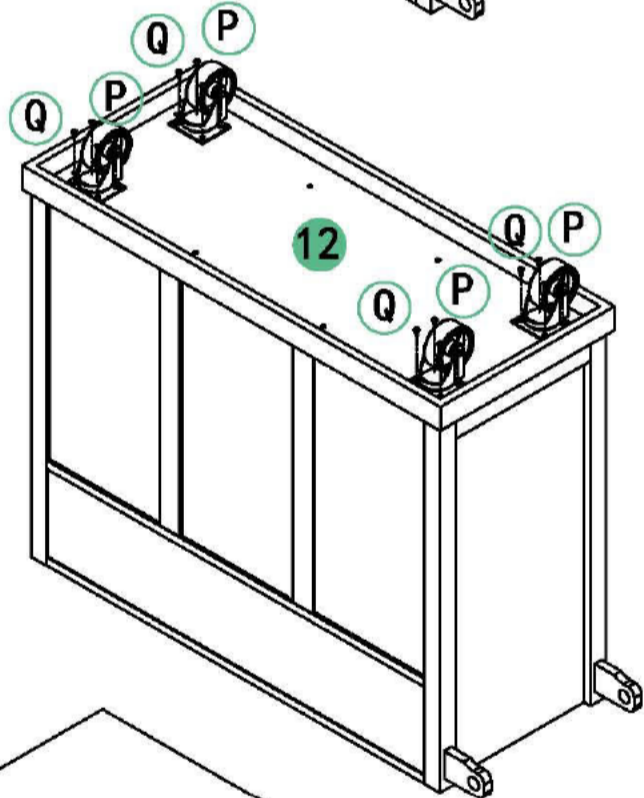
13.



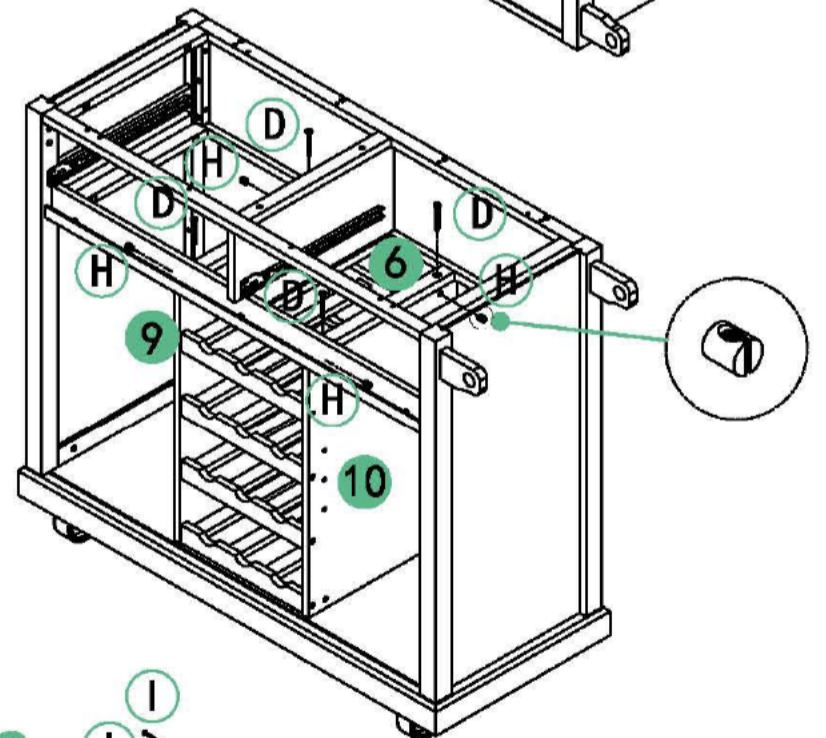
14.



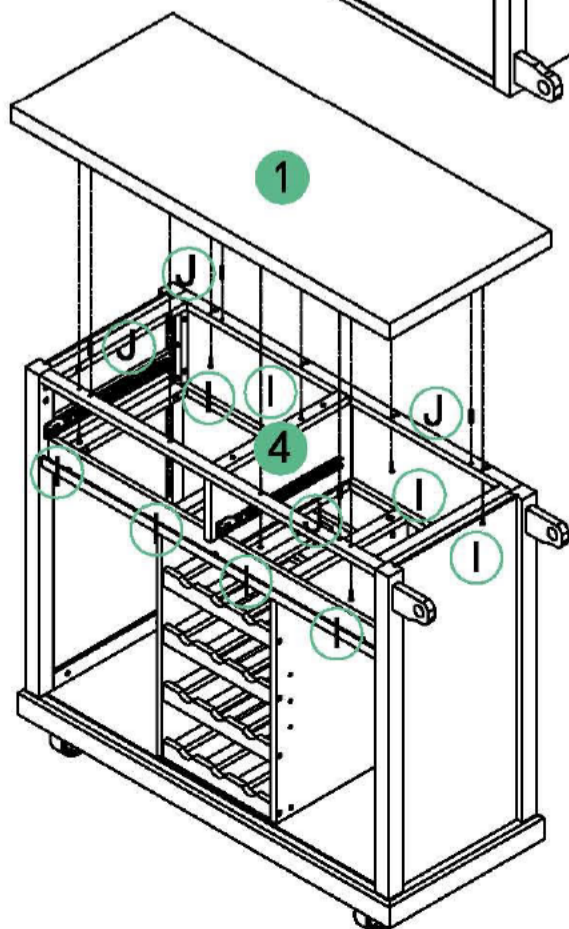
15.



16.

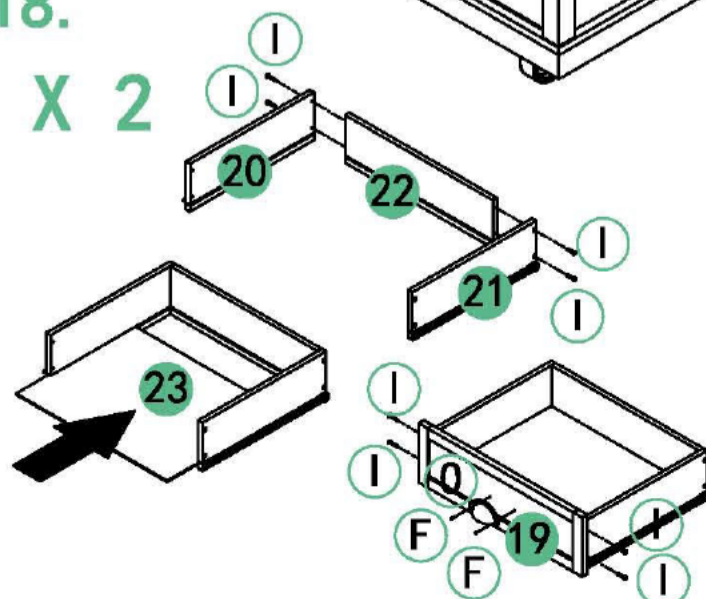


17.

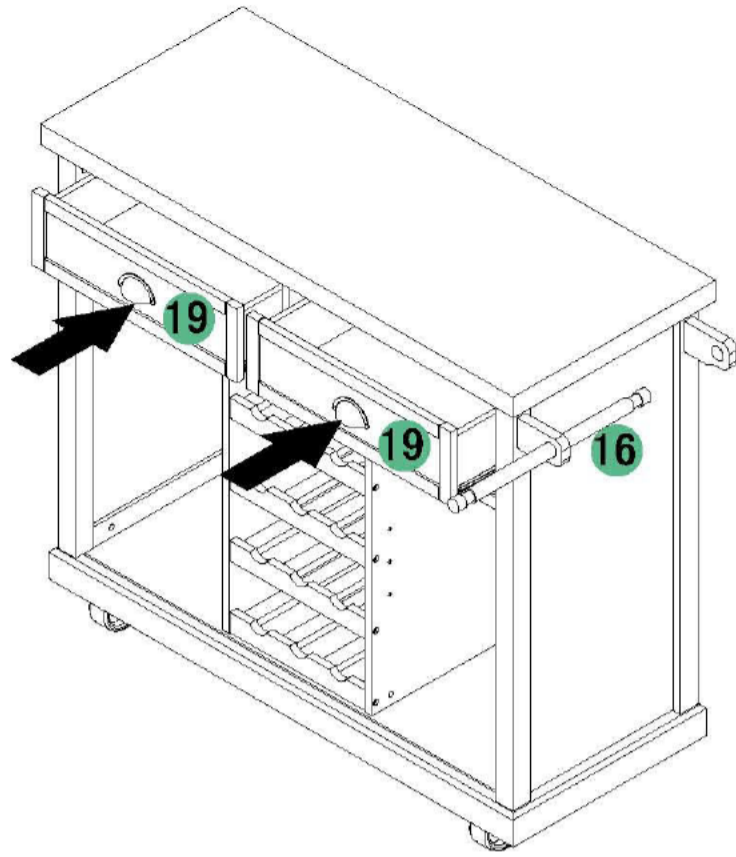


18.

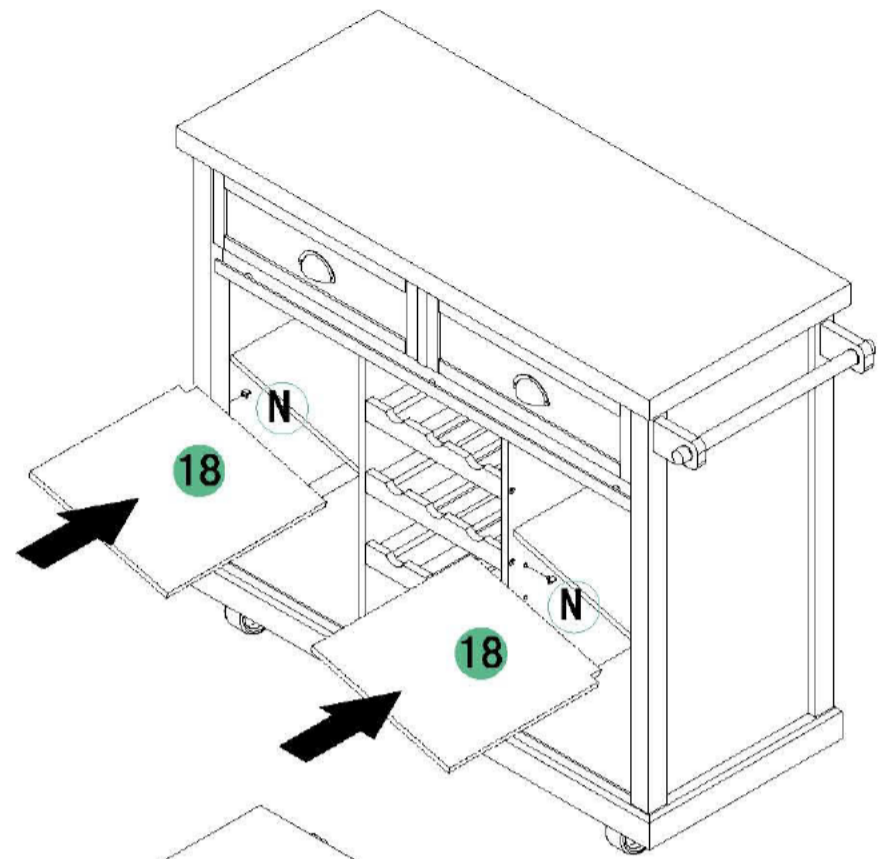
X 2



19.

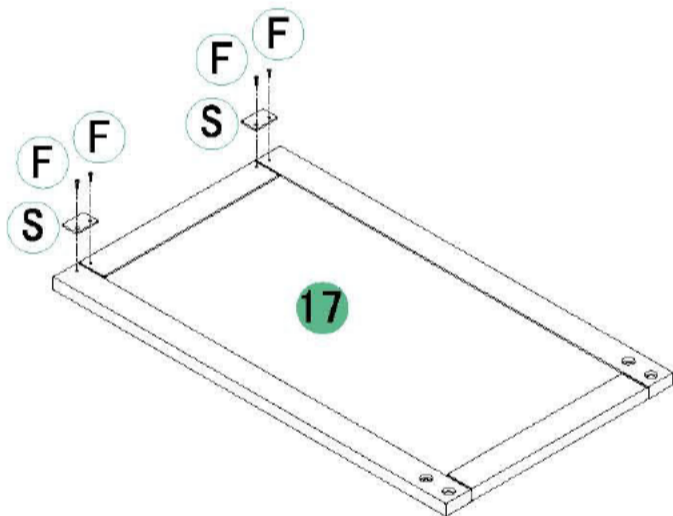


20.

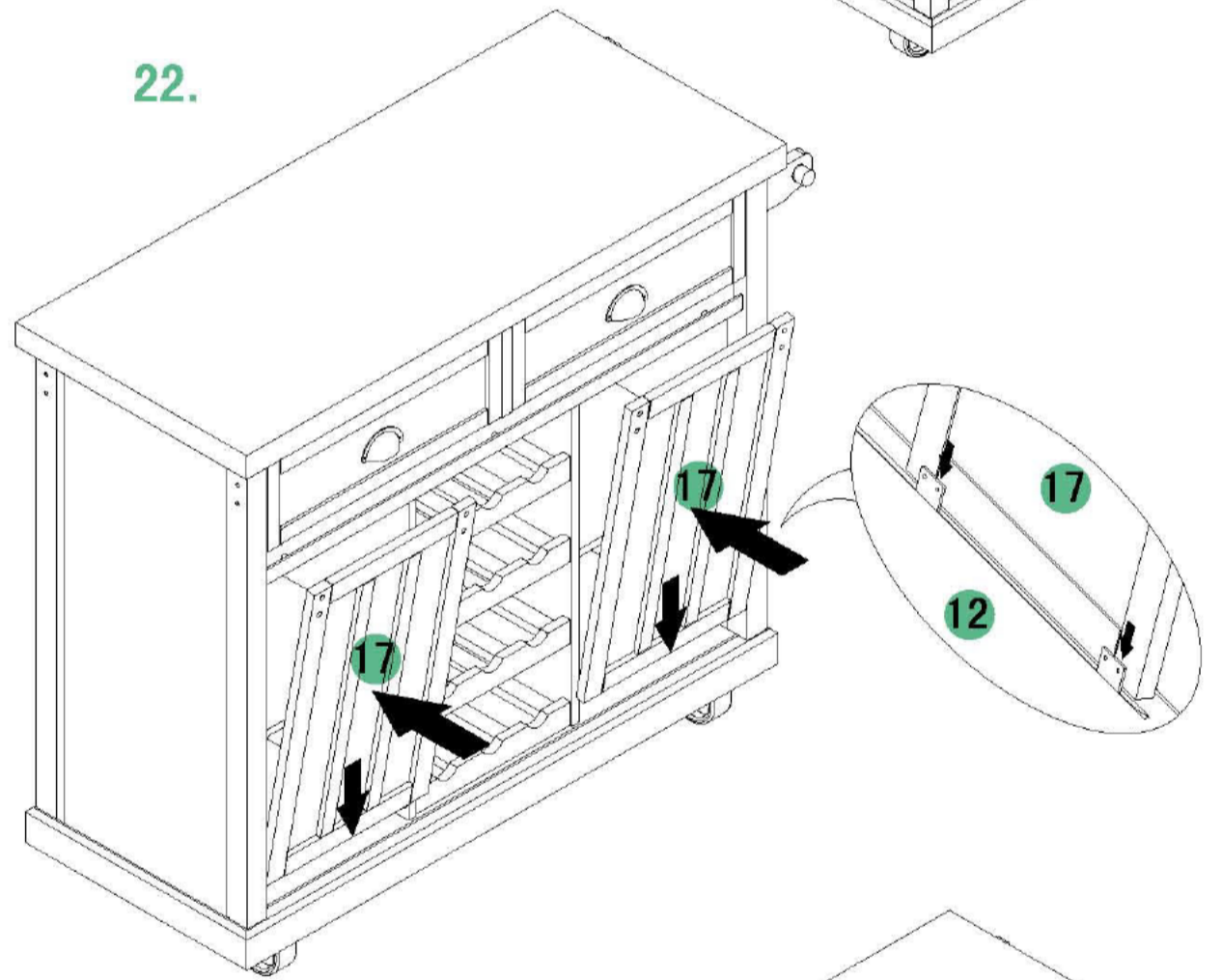


21.

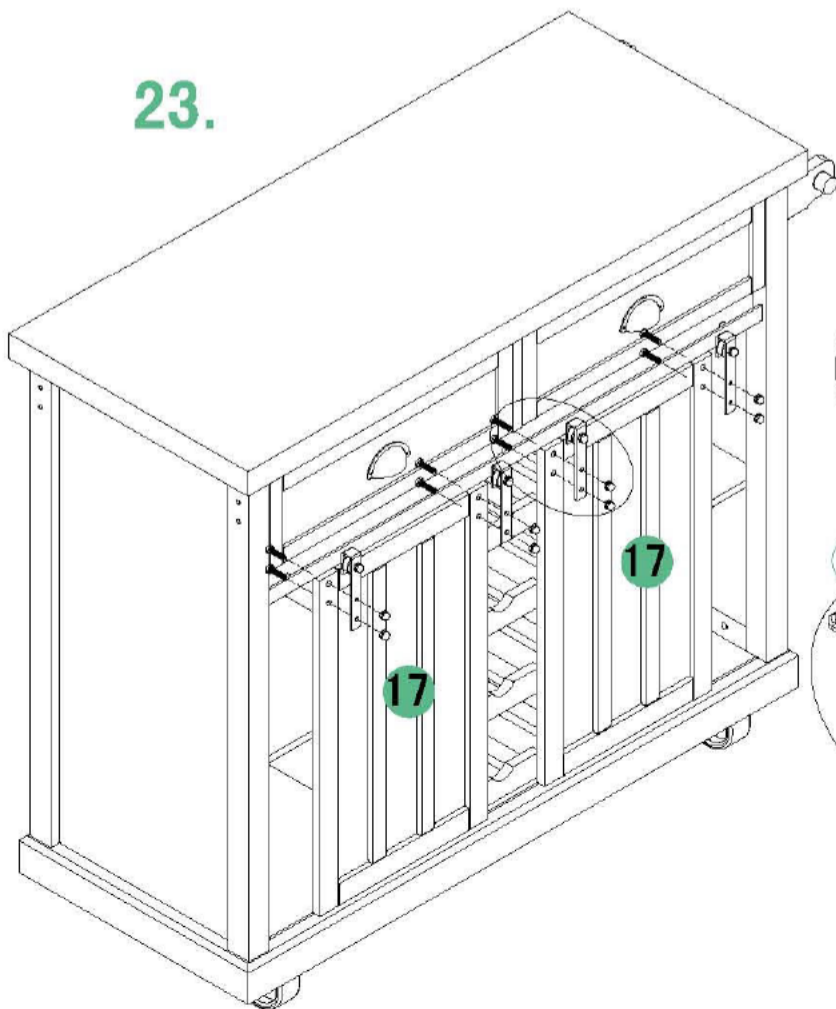
X 2



22.



23.



24.

