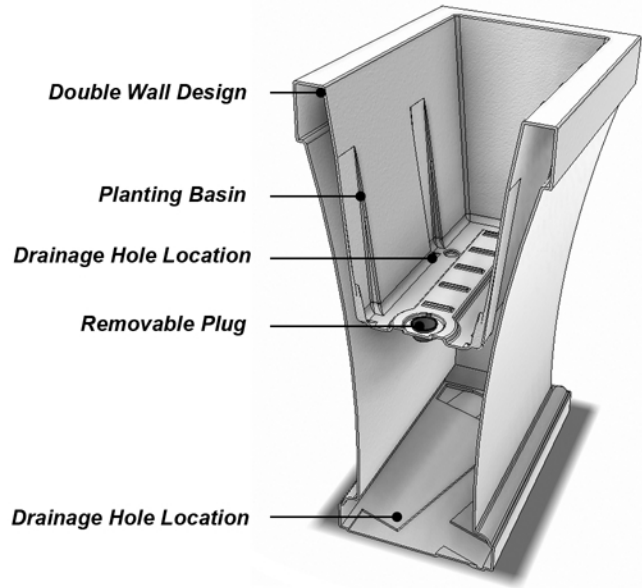


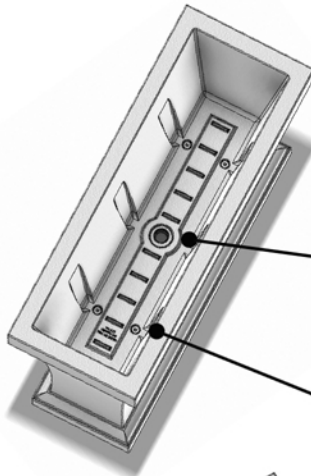


Polyresin Planter
Indoor/Outdoor Use
UV Protected
Shock Resistant



GENERAL INFORMATION:

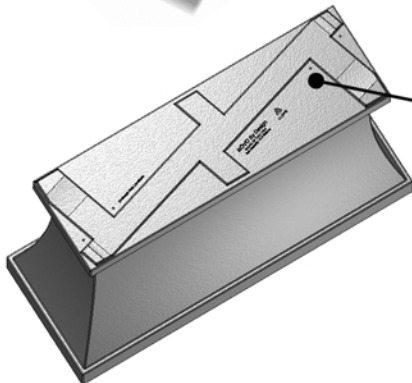
- Molded from durable, all-weather polyethylene
- Drill drainage holes when using planters outdoors
- For increased stability we recommend filling in the inner cavity with sand or gravel
- Rinse clean with a garden hose; for a deeper clean, use a power washer



INSTALLATION TIPS:

To increase stability, remove the rubber plug and use a funnel to fill the inner cavity with sand. Alternatives include pea gravel or crushed gravel. A slightly larger hole may need to be drilled if you choose this option.

For outdoor use drill 1.9 cm (3/4 in) drainage holes in the marked locations. There are 4 recessed areas in the bottom of the planter basin



For outdoor use drill 1.9 cm (3/4 in) drainage holes in the marked locations. There are 4 recessed areas in the bottom of the planter.

