
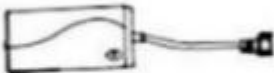






# Assembly Instructions

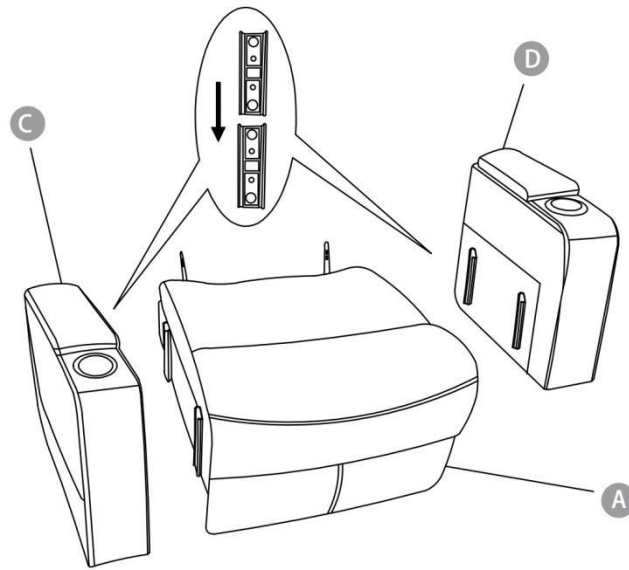
Your recliner comes packaged in 2 **boxes**, which may not arrive on the same day. Please wait an additional 2 to 3 days for all packages to arrive before assembling.

**CAUTION:**  
**DO NOT** use any sharp objects to open plastic wrapped components as damage to product or components may result.

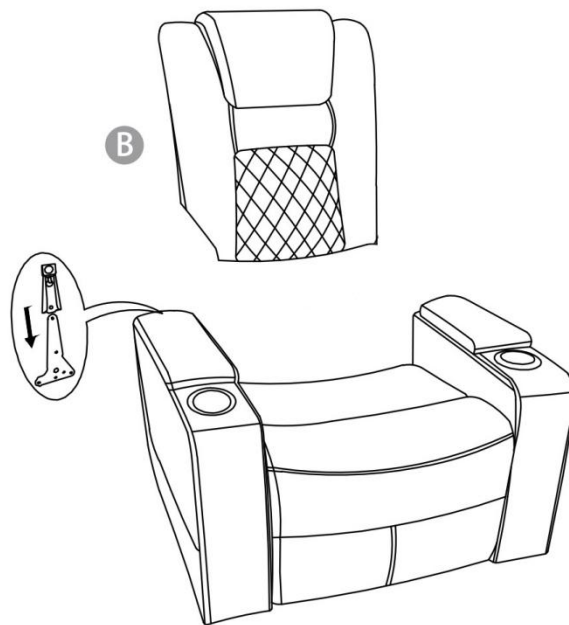
## Package Contents

		
A 1* Chair Seat	E 1* Transformer	F 1* Power Cable
<b>BOX 1</b>		
		
B 1* Chair Back	C 1* Left Armrest	D 1* Right Armrest
<b>BOX 2</b>		

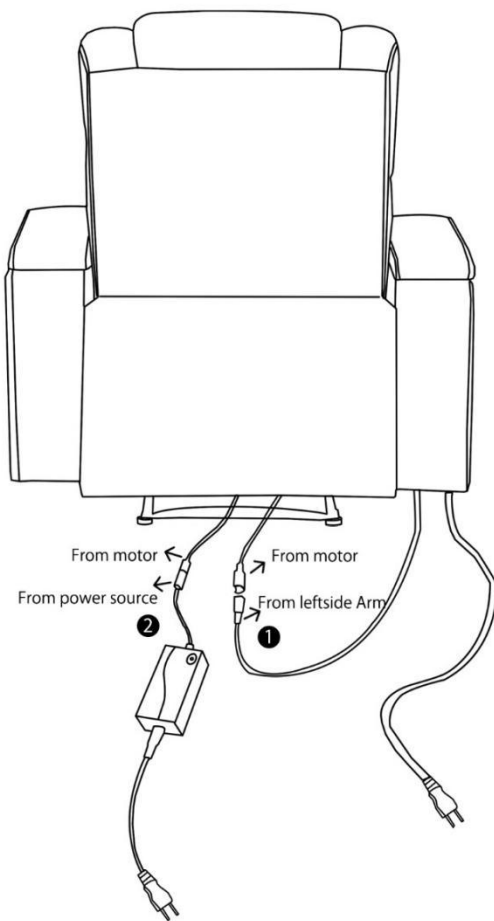
**Step 1** Attach Armrest (C and D) to Chair Seat (A) by aligning the metal grooves on Chair Seat (A) to brackets on the main frame as shown. Ensure the Armrest (C and D) slides down fully over the brackets on the Chair Seat (A).



**Step 2** Attach Chair Back (B) to Chair Seat (A) by aligning the metal grooves on backrest to brackets on the main frame as shown. Ensure the Chair Back (B) slides down fully over the brackets on the Chair Seat (A)



**Step 3:** Connect the power connection plugs as shown behind the seat correspondingly.



No.1 wire connect the motor and the wire from left side armrest.  
No.2 wire connect the motor and power source.  
Plug both the Power Source

## Warnings

1. Please check if the components of the chair are all included and can be used normally.
2. Please DO NOT sit on the armrests and footrest to eliminate the risk of tipping over.
3. Never sit on the footrest when it is open, even a child.
4. If the recliner is damaged or doesn't match the website product, please send clear pictures of the product and label of the carton to our service team, and we'll help you to solve the problem.
5. If the chair still doesn't work, please feed the information back to the customer service in time. We will help solve the problem for you as soon as possible.
6. If you have any questions with the product, please contact us

