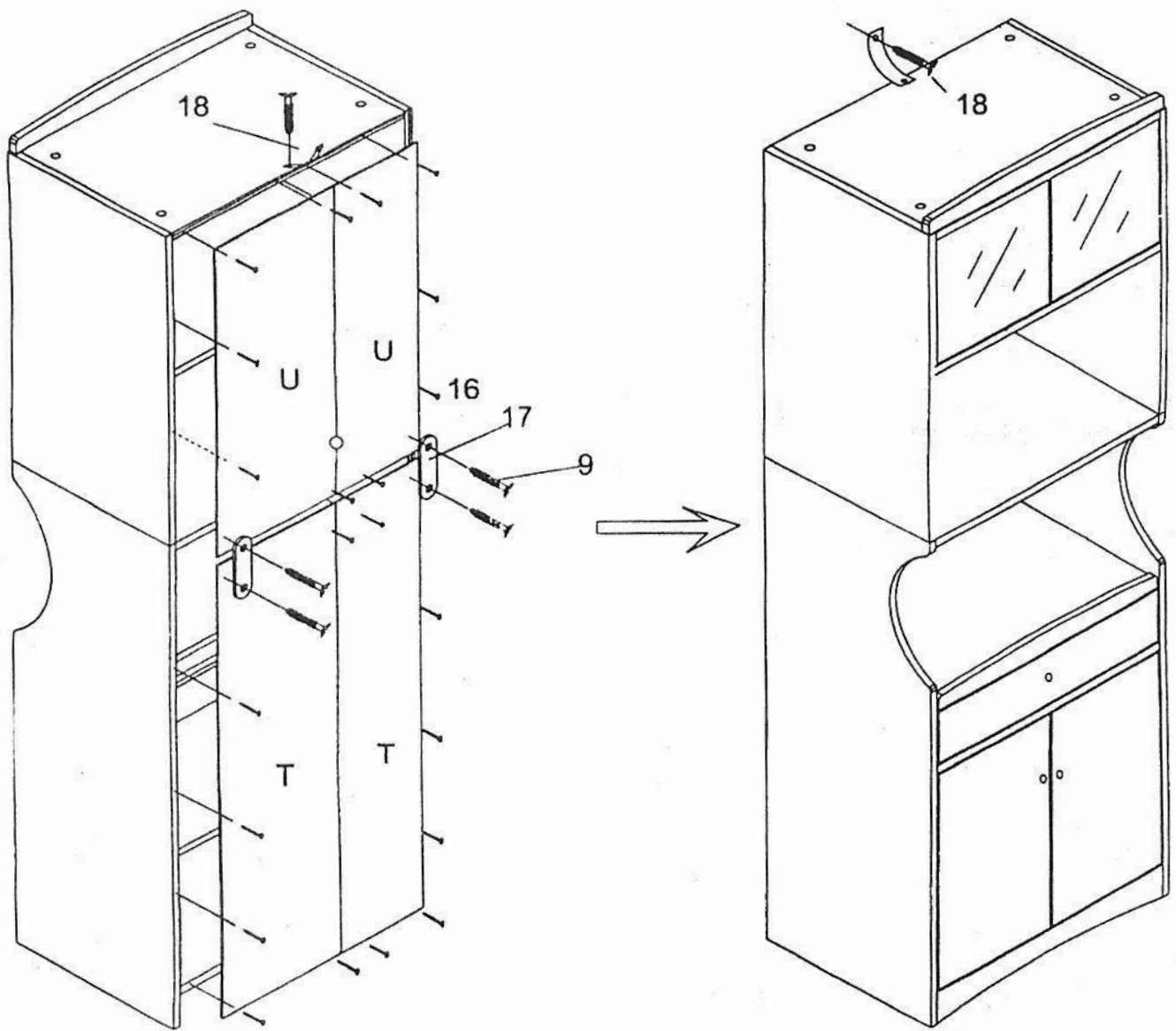


Step 6



WARNING: ALL SCREWS MUST BE TIGHTENED!