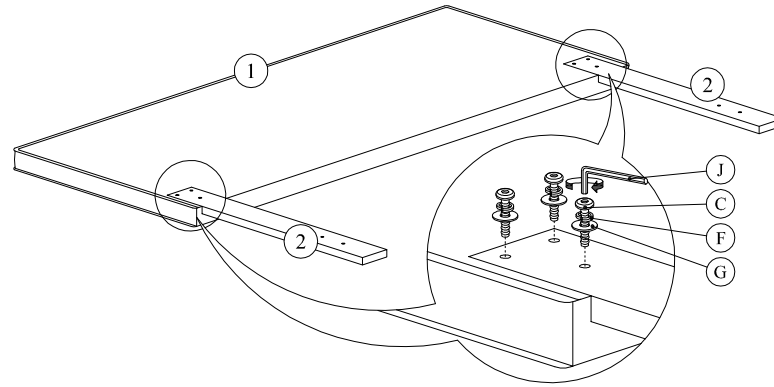


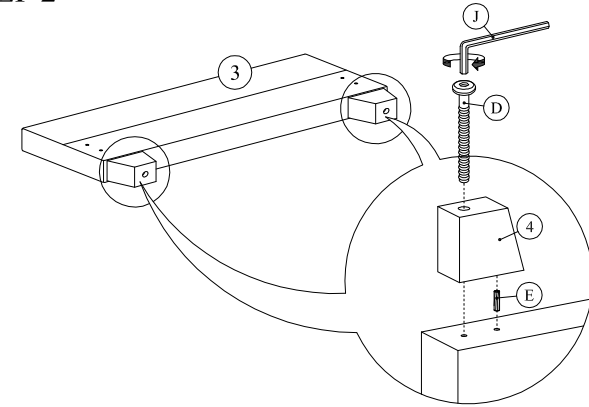
# ASSEMBLY INSTRUCTION

NO	PART LIST	QTY
1	HEADBOARD CUSHION	1PC
2	HEADBOARD LEG	2PCS
3	FOOTBOARD CUSHION	1PC
4	FOOTBOARD LEGS	2PCS
5	SIDE RAIL	2PCS
6	SIDE RAIL	2PCS
7	SIDE RAIL SUPPORT LEG	2PCS
8	SLATS	4PCS
9	SUPPORT LEGS WITH ADJUSTABLE FEET	4PCS
NO	HARDWARE LIST	QTY
A	JCBB SCREW M8 X 20	8PCS
B	JCBC SCREW M6 X 25	8PCS
C	JCBC SCREW M6 X 35	10PCS
D	JCBC SCREW M6 X 70	2PCS
E	WOOD DOWEL	2PCS
F	SPRING WASHER	14PCS
G	FLAT WASHER	14PCS
H	SCREW M4 X 32mm	8PCS
I	L - KEY M5 X 65mm	1PC
J	L - KEY M4 X 65mm	1PC

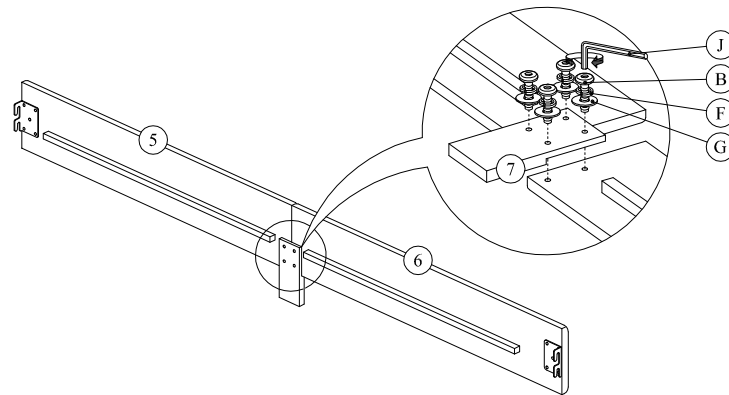
## STEP 1



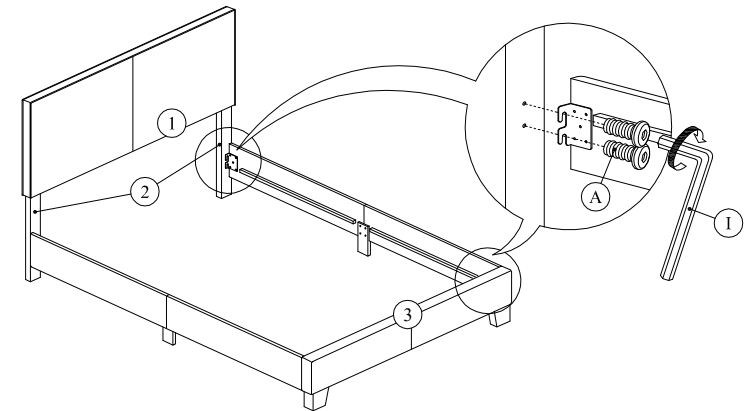
## STEP 2



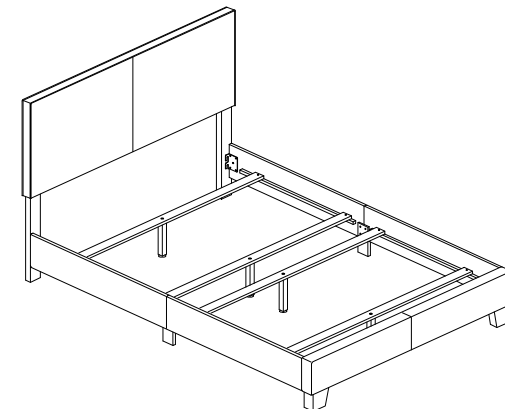
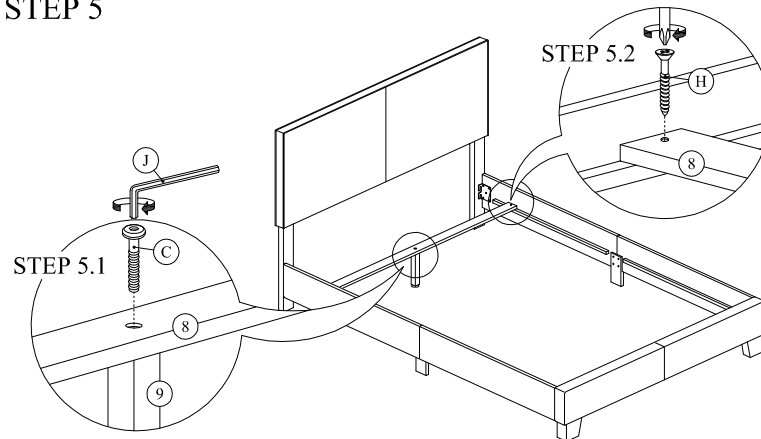
## STEP 3



## STEP 4



## STEP 5



ASSEMBLY COMPLETED