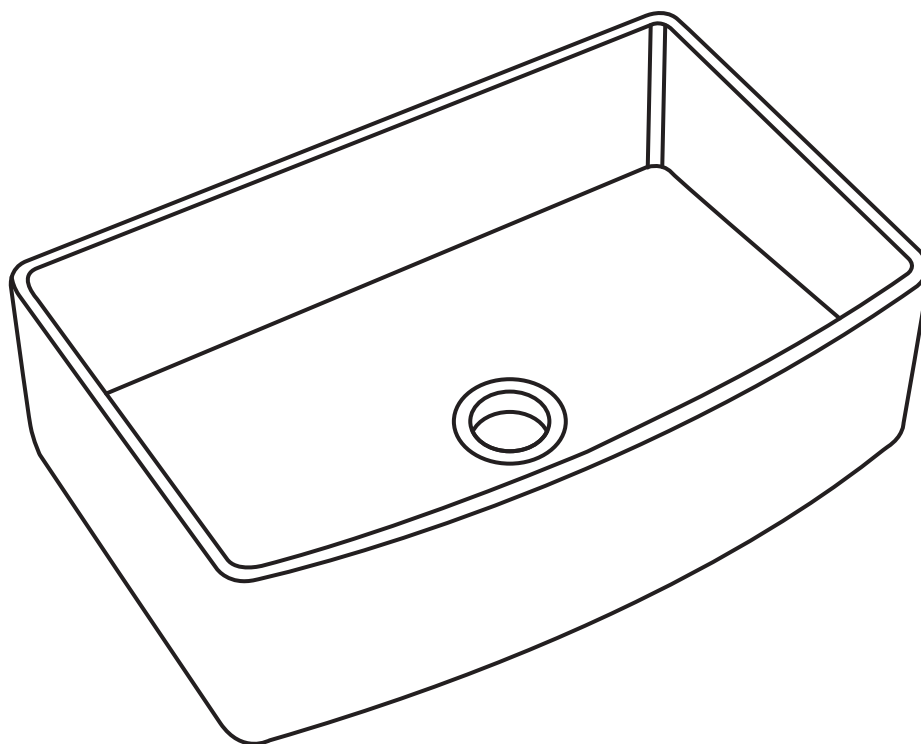


INSTALLATION INSTRUCTIONS

FIRECLAY KITCHEN SINK

CURVED APRON
GRID AND STRAINER INCLUDED

33" X 20"



MODEL# FCA3320



READ ALL INSTRUCTIONS BEFORE UNPACKING THE PRODUCT



INSTRUCTIONS THAT, IF IGNORED, COULD RESULT IN DEATH OR SERIOUS INJURY CAUSED BY INCORRECT HANDLING OR INSTALLATION OF THE PRODUCT. THESE INSTRUCTIONS MUST BE OBSERVED FOR SAFE INSTALLATION.

ATTENTION!



2 PEOPLE ARE REQUIRED TO LIFT AND DURING ENTIRE INSTALLATION OF THIS PRODUCT



INSTALLATION OF THIS PRODUCT BY AN INEXPERIENCED INSTALLER MAY RESULT IN PERSONAL INJURY OR DEATH!

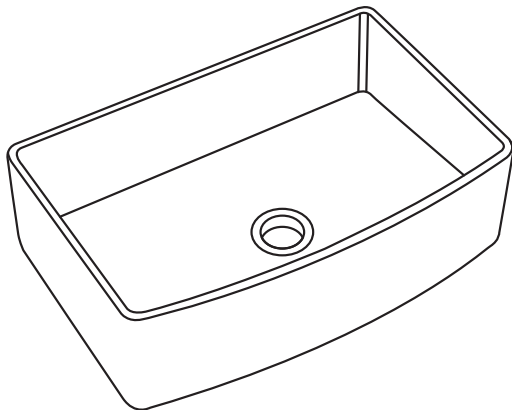


We reserves the right to change, update, modify, alter, redesign this manual/product or its policies without prior notice! It is your responsibility to visit the website to download or contact customer service for the most updated version of the installation instructions.

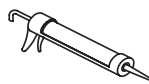
We shall not be liable for any injuries or property damages in connection with this product during installation or use of this product!

- Limited warranty is void on any commercial installation.
- We are not responsible for local code compliance for this product.
- Building and plumbing codes may vary from state-to-state in accordance to your location.
- We are not responsible for providing any compliance certifications.
- We are not responsible to provide any type of certifications for this product.
- Under no circumstances we shall not be liable for any and all incidental damages sustained in connection with this product Neither manufacture, nor distributor, nor retailer is responsible for water damage or flood caused due to use of this product.
- Under no circumstances We shall not be liable for any and all fees, cost of installation/re-installation/removal, subsequent damage or transportation in case of the product defect.

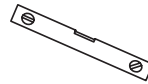
FIRECLAY DOUBLE SINK



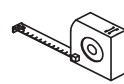
TOOLS REQUIRED FOR INSTALLATION



Silicone



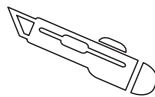
Level



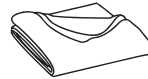
Tape Measure



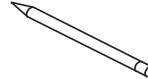
Jigsaw



Knife



Soft Cloth



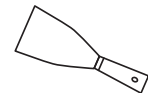
Pencil / Marker



Channel Pliers



Safety Glass



Putty Knife



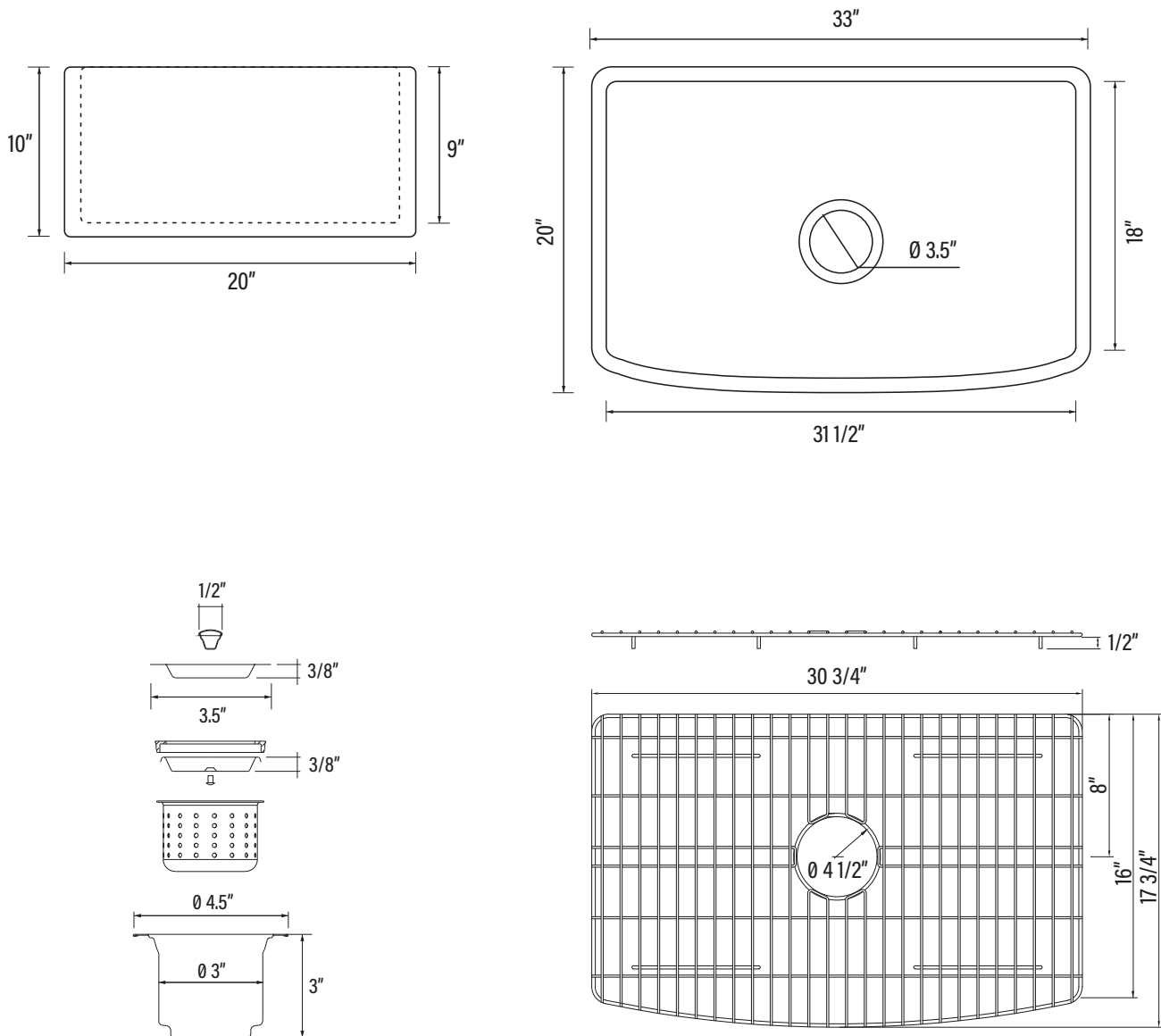
Wrench



Wrench



DIMENSIONS/TECHNICAL DATA MODEL# FCA3320



ATTENTION! Dimensions may vary by up to 3/8". It is highly recommended to pull all dimensions of actual model for installation and measuring purposes.

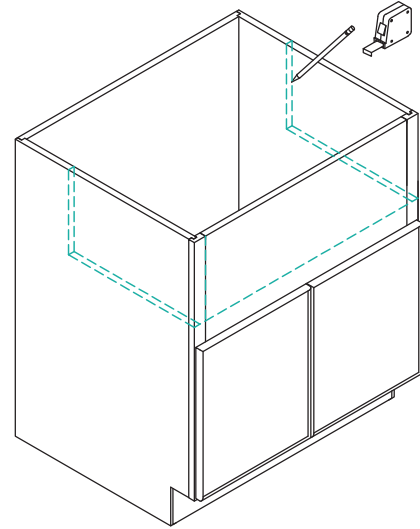


INSTALLATION OPTIONS

- **Fine Fixtures** recommends Under-Counter sink installation. While flush-mount or built-up installation is possible, we don't recommend it.
- With all installations, be sure to allow adequate space for faucet and backsplash installations.
- Under Counter/Solid Surface Installation: As mentioned, Farmhouse sinks may require custom cabinetry, and we recommend that you consult an experienced cabinetmaker to achieve a perfect fit.

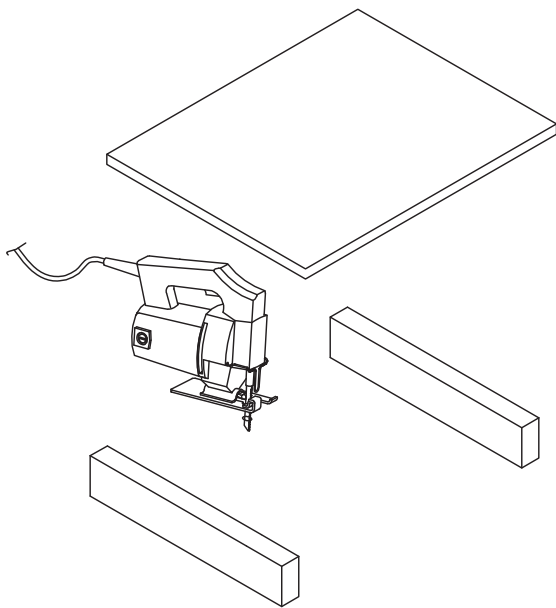
1

TEMPLATE AND CUTOUT



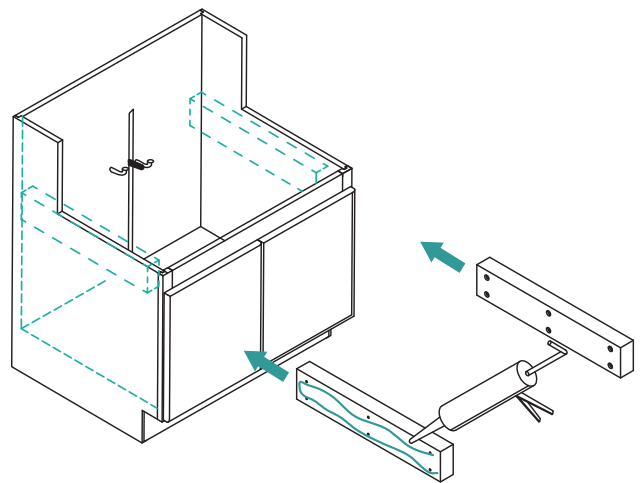
Center sink, and trace outline of sink on countertop using pencil. Proceed to use this outline as guide for cutout, and cut the cabinet to fit the kitchen sink

2



Build support frame or install support bars from front to back along inner cabinet sides. Cut 2 pieces of 2 x 4 beams to fit inside the cabinet, and a plywood board that will sit on top of the beams.

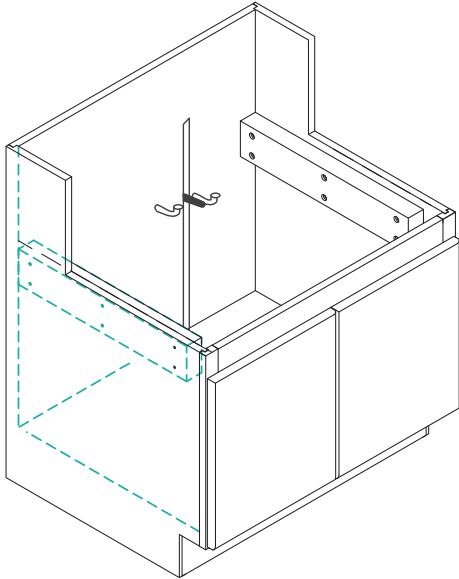
3



Position support frame so that, when installed, sink is in line and level with top of cabinet. We recommend that you screw the beams with wood glue and screws. Keep in mind that frame must support weight of sink and all its attachments.

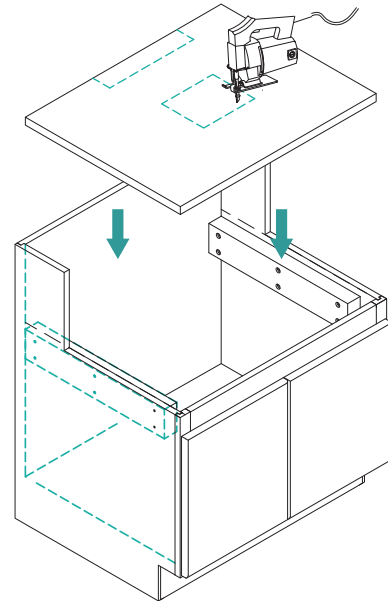


4



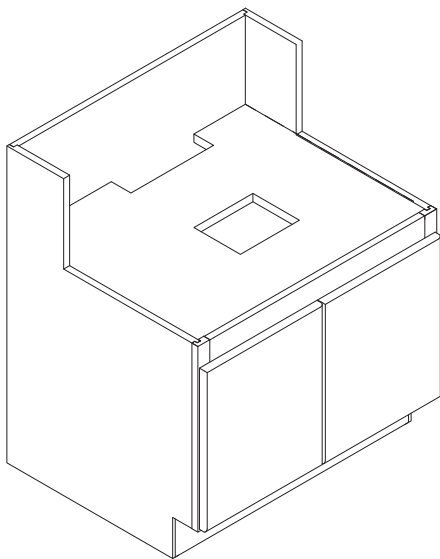
Attach the beams into place with wood glue, allow enough time for the glue to dry then fasten the beams with wood screws into the cabinet.

5



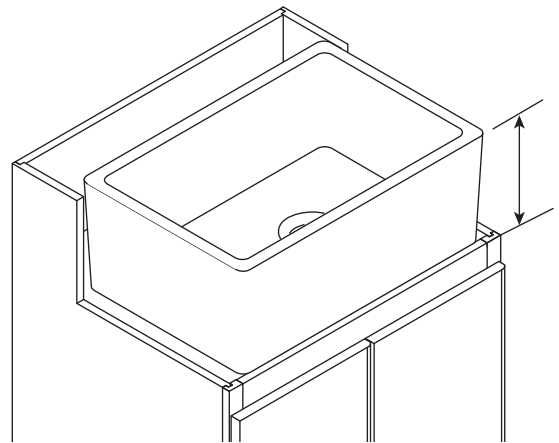
Cut-out the sections where your drain and faucet lines will be, fit the board on top of the beams and verify that it is leveled, If not leveled, adjusted with shims

6



Place the board on the beams, Secure the board to the beams with screws. Verify the board is still leveled, and place the sink over the plywood.. Ensure proper clearance for water supply lines, drains and garbage disposal, if applicable.

7

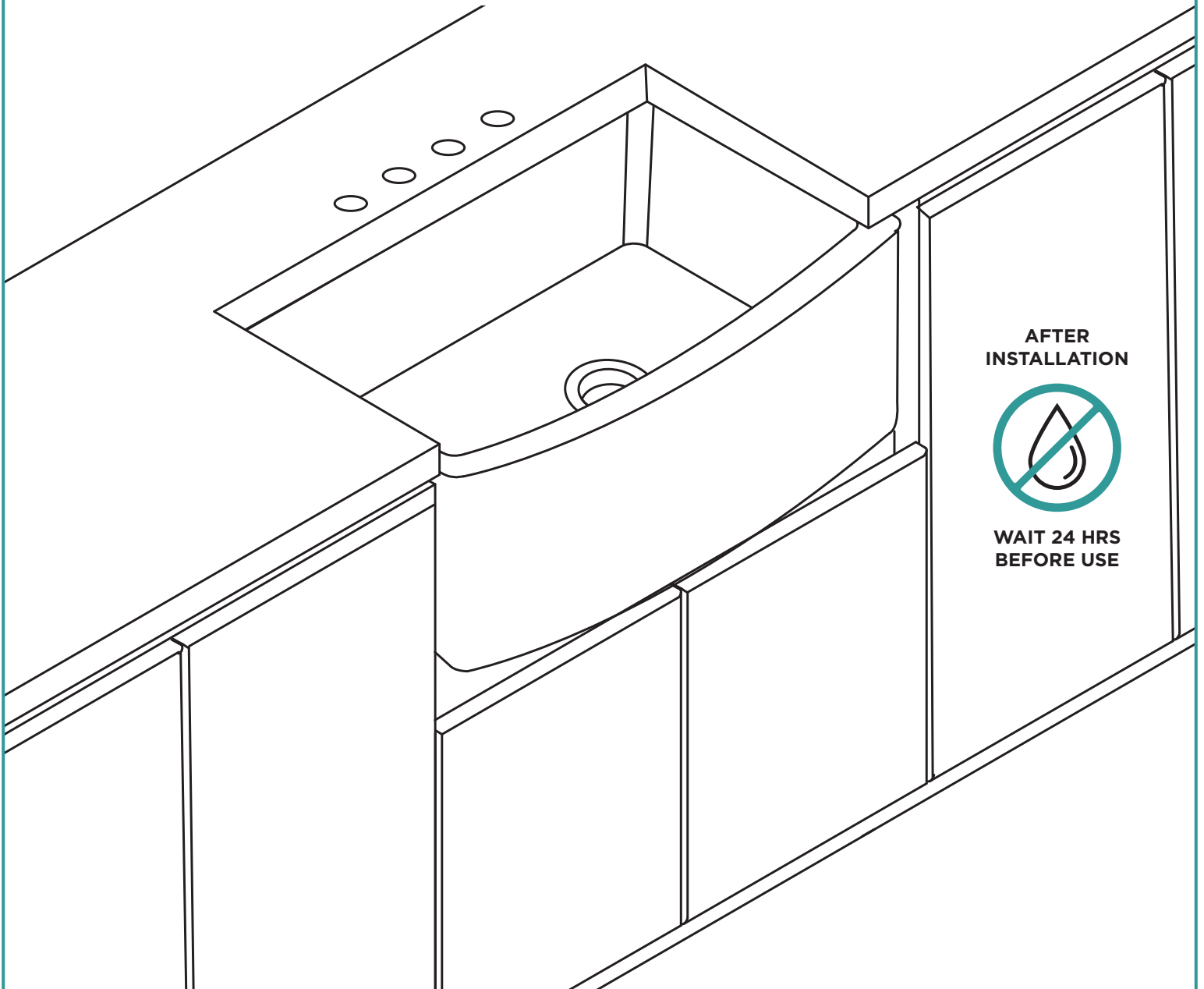


- Test fit sink in newly created opening.
- Check that entire sink weight is supported by the frame.
- Verify that sink is in line and level with top of cabinet.
- If necessary, use shims to level sink.
- Set sink using sealant, fill gaps below sink front and between sink and countertop.
- Hold sink in place and position countertop on sink.
- Remove excess sealant from all surfaces.



ABOUT FIRECLAY AND CARE

- Fireclay sinks are made of clay fired at over 2,300°F, which causes clay to become stonelike.
- This produces a strong and durable material resistant to scratching, staining, fading and discoloration.
- To clean, use a soft, non-abrasive sponge or a cleaning cloth.
- Add mild soap and warm water or a gentle all-purpose cleaner.
- Wipe surface dry with a clean, soft cloth after each use.
- For tough stains, use non-abrasive liquid or cream bathroom cleaner.
- Refrain from soaking dishes for long periods of time, and do not leave coffee grounds or teabags in sink, these may otherwise cause potential stains or damage to finish.





206 WEMBLY ROAD - NEW WINDSOR, NY 12553
P: 718.602.6060 F: 718.963.2082 - E: INFO@FINEFIXTURES.COM
TOLL FREE: 1.877.8FIXTURES
FINEFIXTURES.COM

