



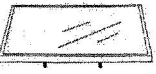

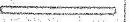

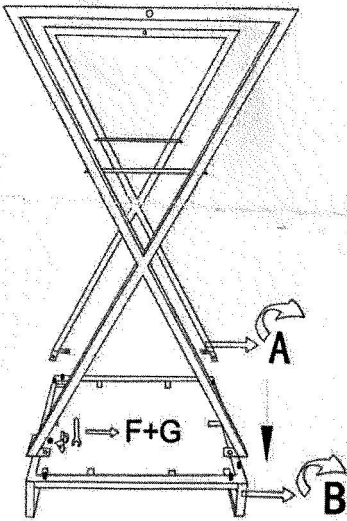


Assembly Instructions

Laying out all the parts and hardware and identifying each part as shown may help you as you assemble the table.

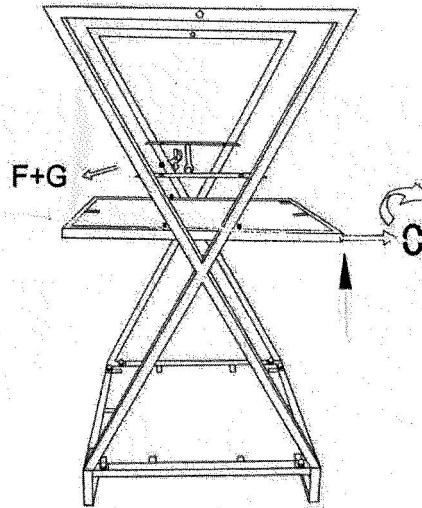
ITEM	PART	DESC.	QTY	ITEM	PART	DESC.	QTY
A		Metal leg	1 pc	E		Bolts	2 pcs
B		Table Top	2 pcs	F		Nuts	12 pcs
C		Shelf	1 pc	G		Wrench	1pc
D		Support	1 pc	H		Allen	1 pc

STEP ONE



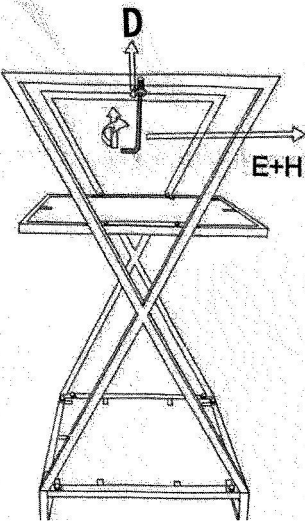
Put table top upside down. Insert metal legs to table top as shown. Please note that should not fully tighten legs at this step in smooth level.

STEP TWO



Attached shelf to the legs as show.

STEP THREE



STEP FOUR

