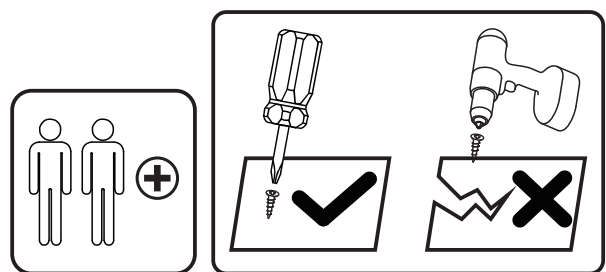
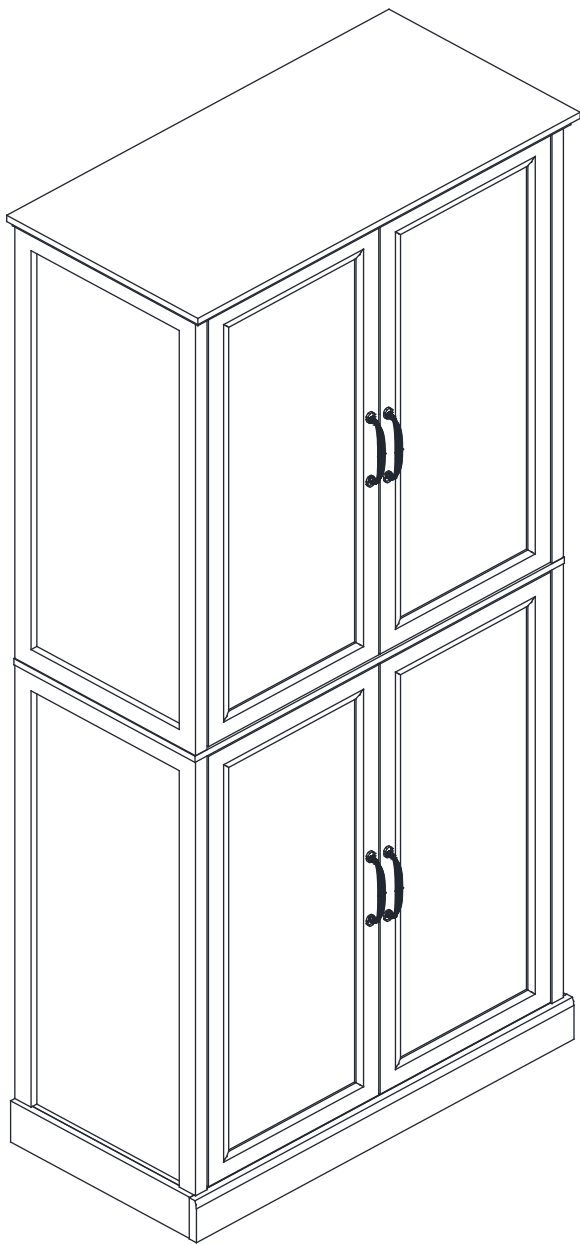
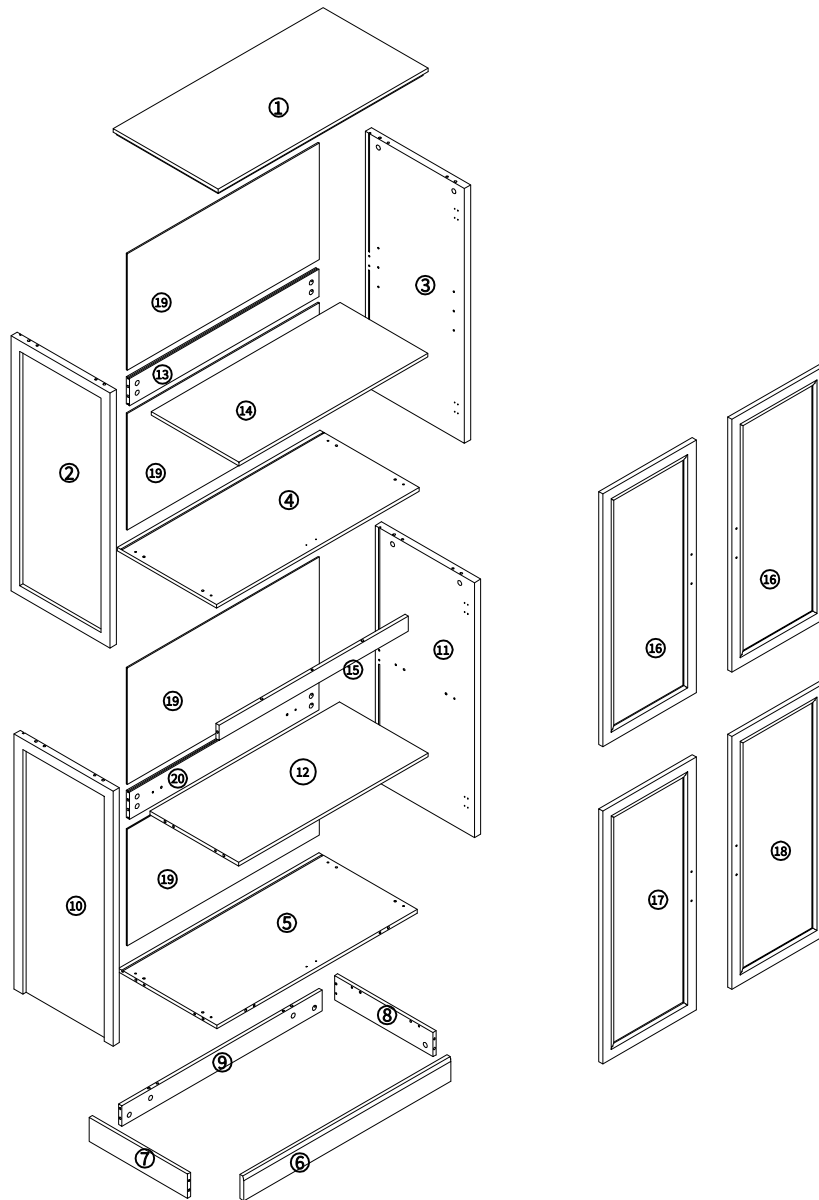


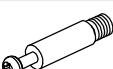






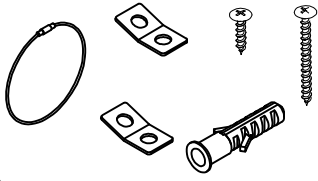










# ASSEMBLY INSTRUCTIONS



## Tools Recommended

THIS INSTRUCTIONS CONTAINS IMPORTANT SAFETY INFORMATION.  
PLEASE READ BEFORE ASSEMBLY AND KEEP FOR FUTURE REFERENCE.

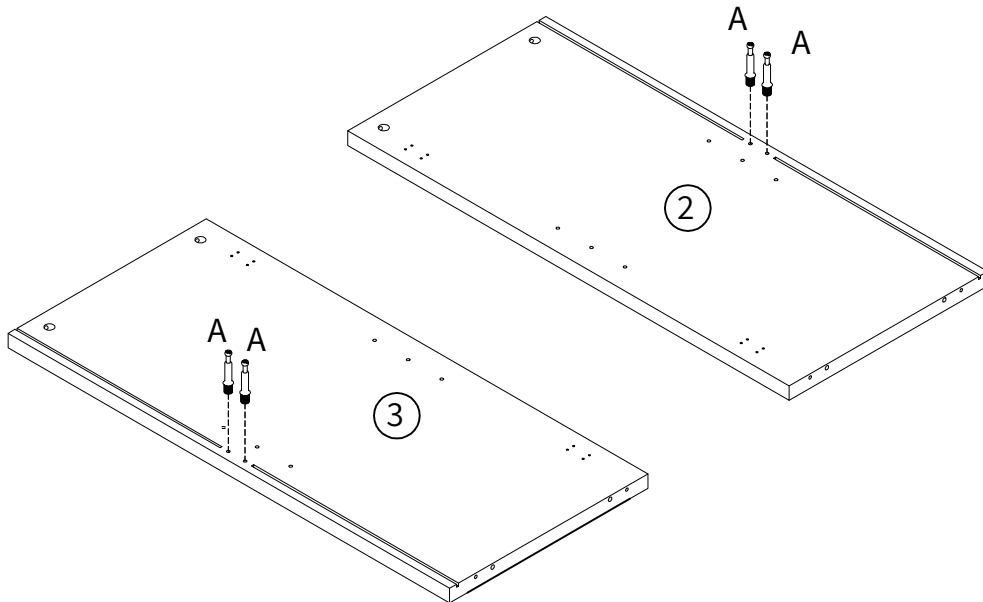


<b>Ax36</b>  M6*35 mm	<b>Bx36</b>  Ø15*10 mm	<b>Cx27</b>  Ø6*30 mm	<b>Dx10</b>  Ø8*M4*35 mm	<b>Ex6</b>  Ø6.5*M3*12MM	<b>Fx4</b>  Curved cam bolt	<b>Gx8</b>  f 9*M4*20MM
<b>Hx2</b> 	<b>Ix16</b>  15*13*10mm	<b>Jx22</b>  f 6.5*M3*16MM	<b>Kx4</b>  Ø5*9*12MM	<b>Lx48</b>  Ø7.5*M3.5*14MM	<b>Mx8</b> 	
	<b>Nx3</b>  45*16*14MM	<b>Ox6</b>  Ø33*12*1MM	<b>Px2</b>  105*20*3MM	<b>Qx8</b>  f 9*M4*14MM	<b>Rx4</b>  Ø6*50mm	

The installation direction should be aligned with the instructions to prevent plate breakage caused by product tipping during installation.

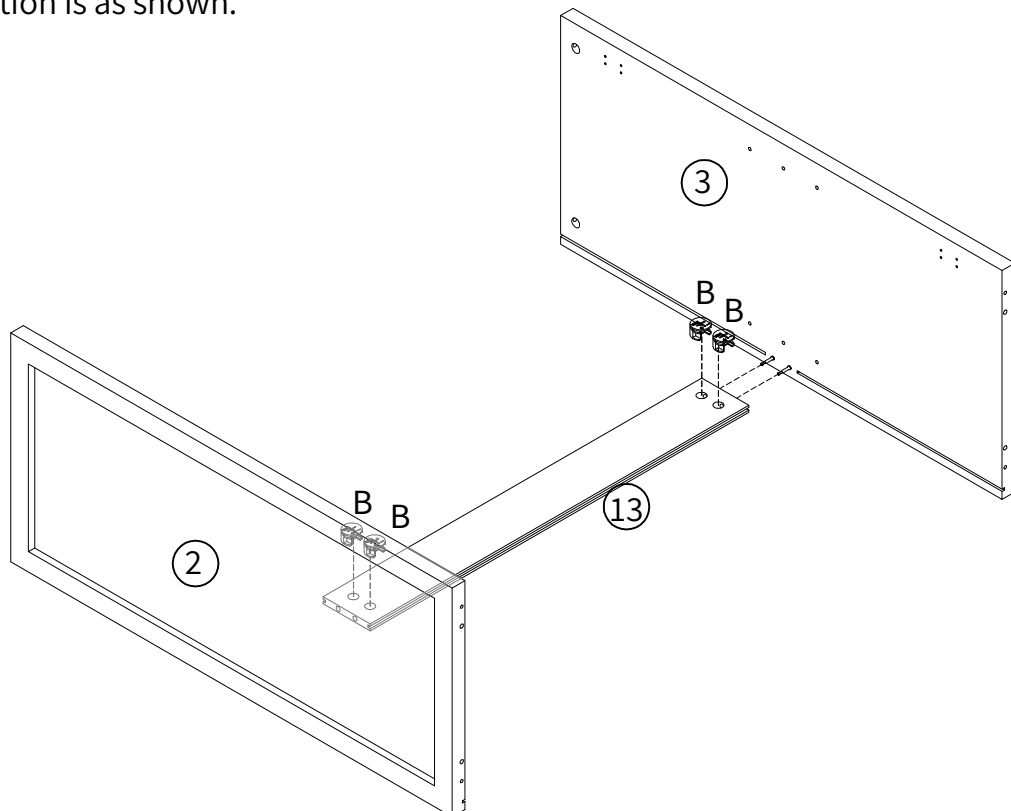
## Step 1

Insert screws(A) into corresponding holes in part ② and ③ as soon.



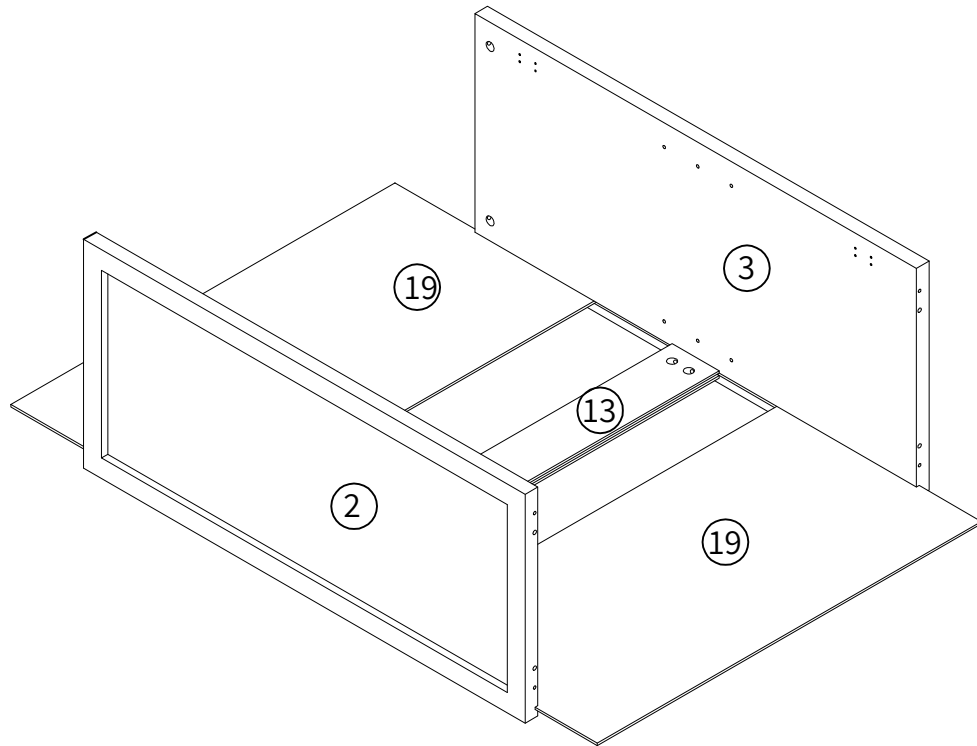
## Step 2

Connect part ②③ to part ⑬ with eccentric wheels (B), put the eccentric wheels (B) into the corresponding holes on part ⑬ and use a screwdriver to turn it clockwise to tighten, the installation position is as shown.



### Step 3

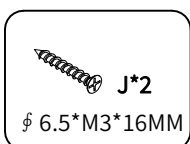
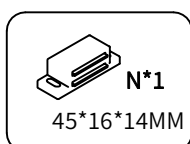
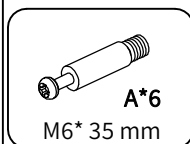
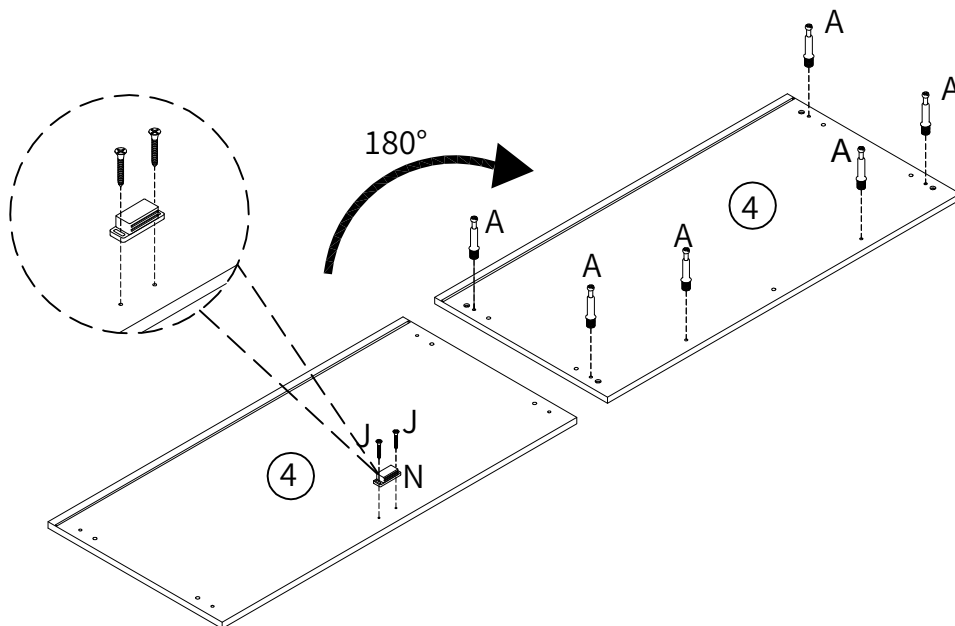
Insert part ⑱ into the corresponding groove of parts ② and ③.



### Step 4

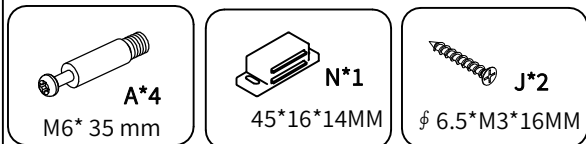
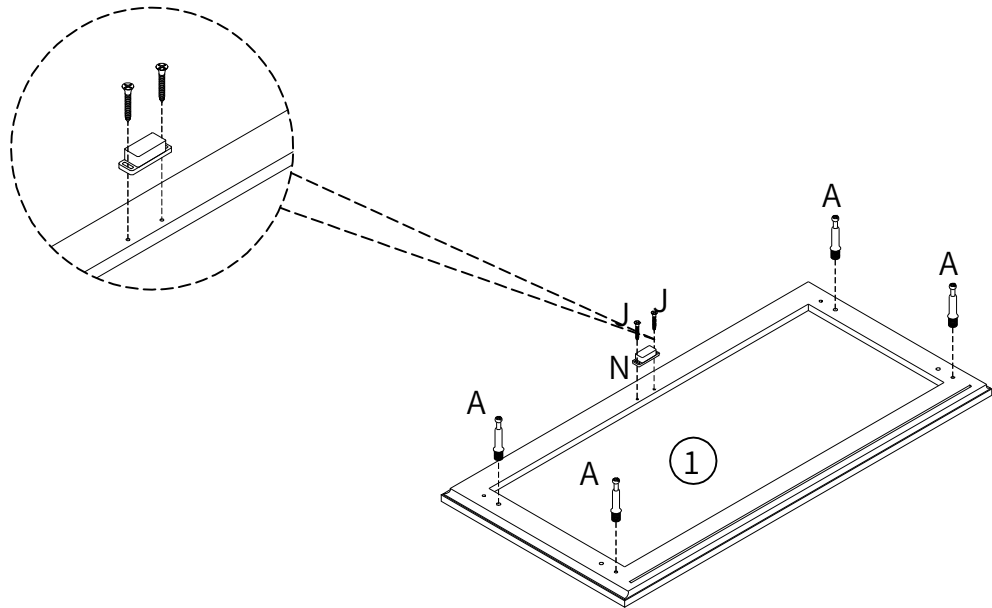
Use self tapping screws (J) to fix magnetic touch (N) on part ④.

Flip part ④ 180°, and insert screws (A) into the corresponding hole on part ④.



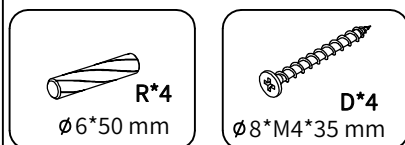
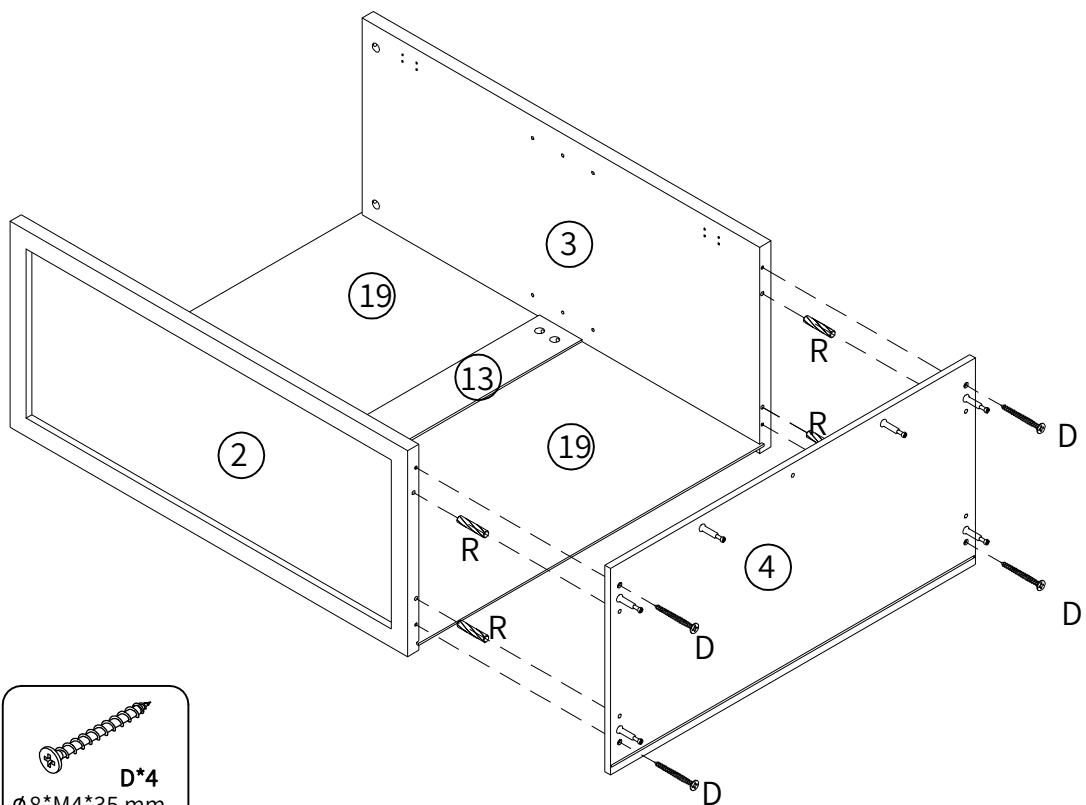
## Step 5

Use self tapping screws (J) to fix magnetic touch (N) on part ①, and insert screws (A) into the corresponding hole on part ①.



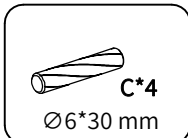
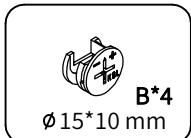
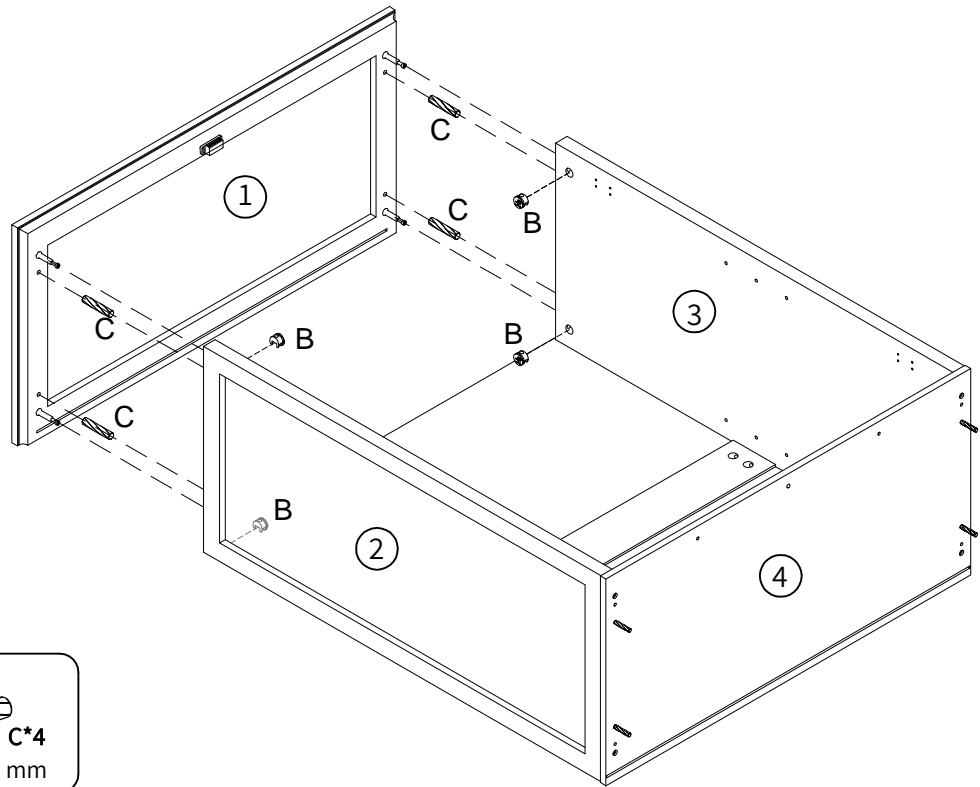
## Step 6

Insert wooden dowel (R) on part ②③, connect part ④ to part ②③ with screw (D).



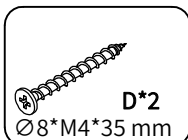
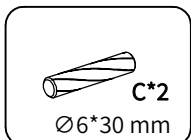
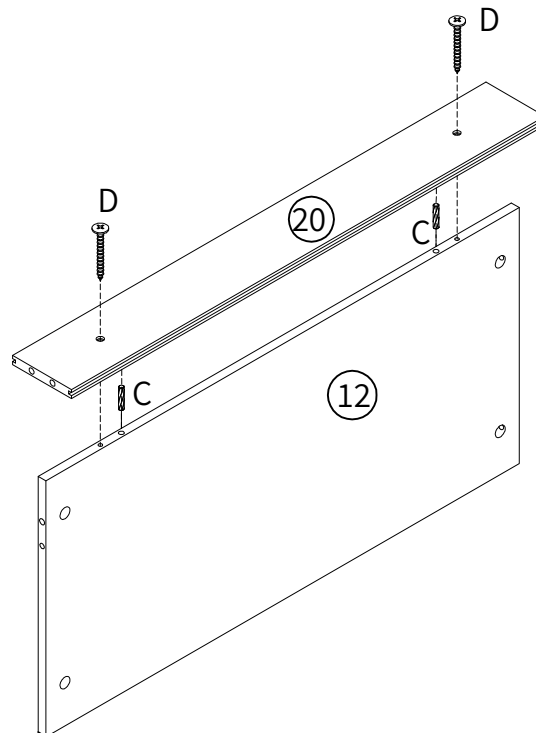
## Step 7

Insert wooden dowel (C) on part ② ③, connect part ① to part ② ③ with eccentric wheels (B), put the eccentric wheels (B) into the corresponding holes on part ② ③ and use a screwdriver to turn it clockwise to tighten, the installation position is as shown.



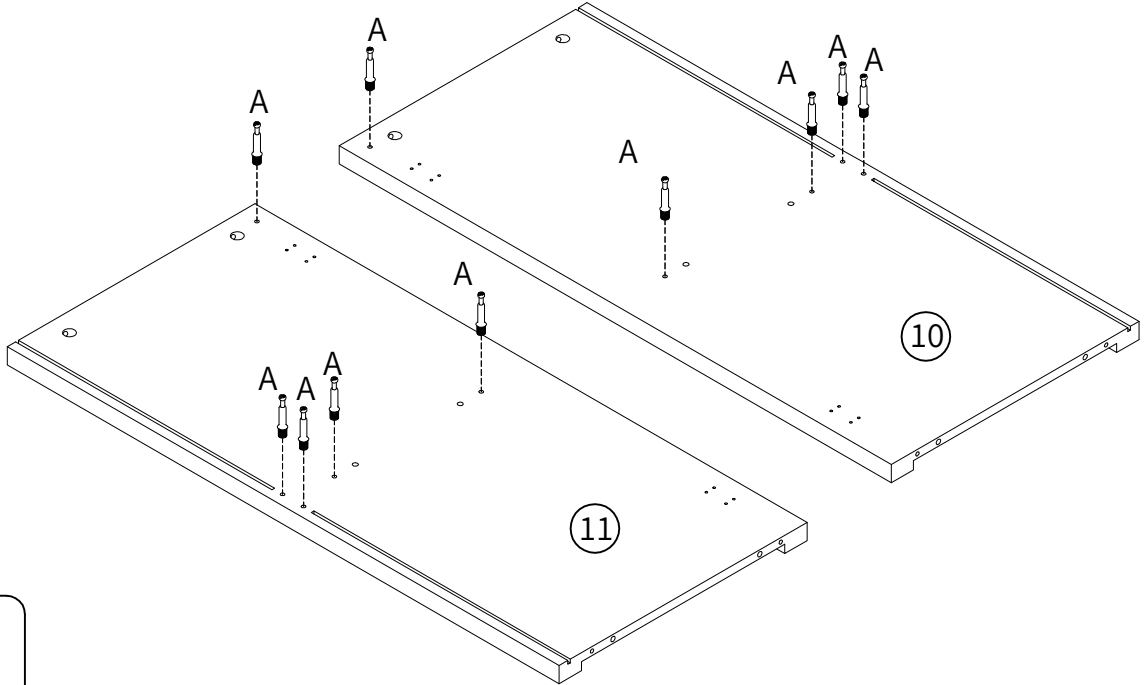
## Step 8

Insert wooden dowel (C) on part ⑫, connect part ⑳ to part ⑫ with screw (D).



## Step 9

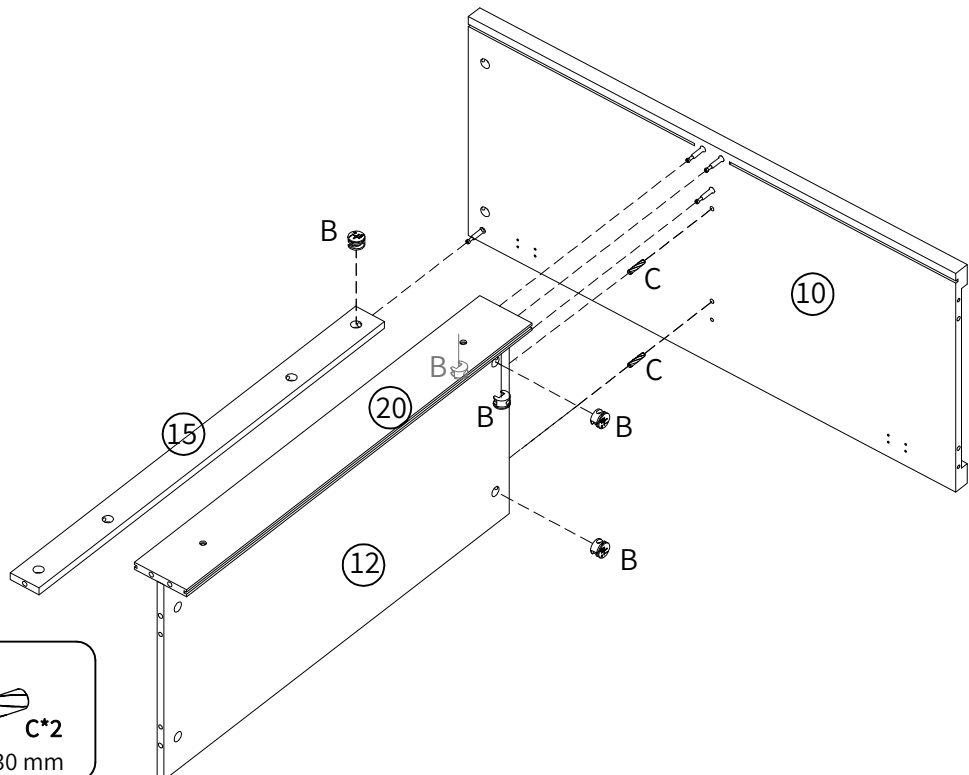
Insert screws(A) into corresponding holes in part ⑩ and ⑪ as soon.



**A\*10**  
M6 x 35 mm

## Step 10

Insert wooden dowel(C) on part ⑫, connect part ⑫⑮⑳ to part ⑩ with eccentric wheels (B). Put the eccentric wheels (B) into the corresponding holes on part ⑫⑮⑳ and use a screwdriver to turn it clockwise to tighten, the installation position is as shown.

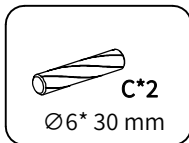
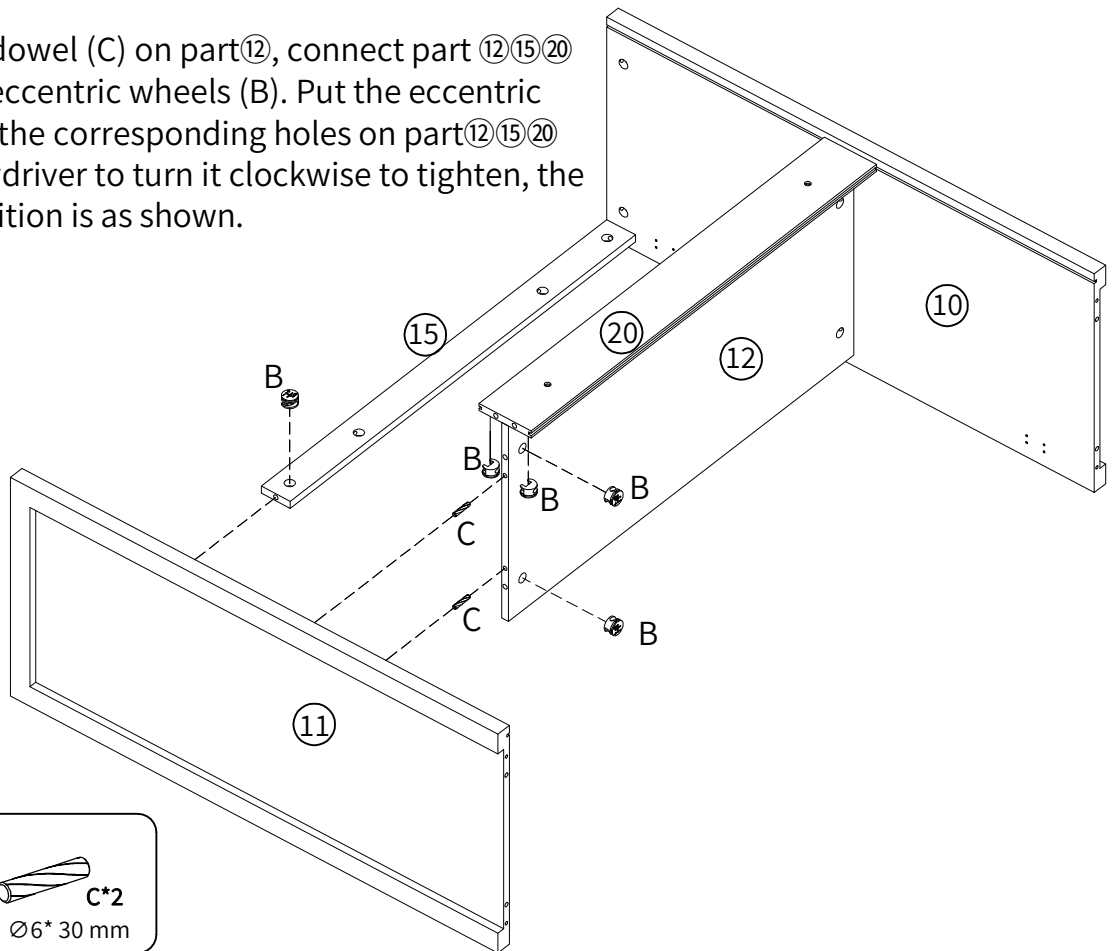


**B\*5**  
Ø15\*10 mm

**C\*2**  
Ø6\*30 mm

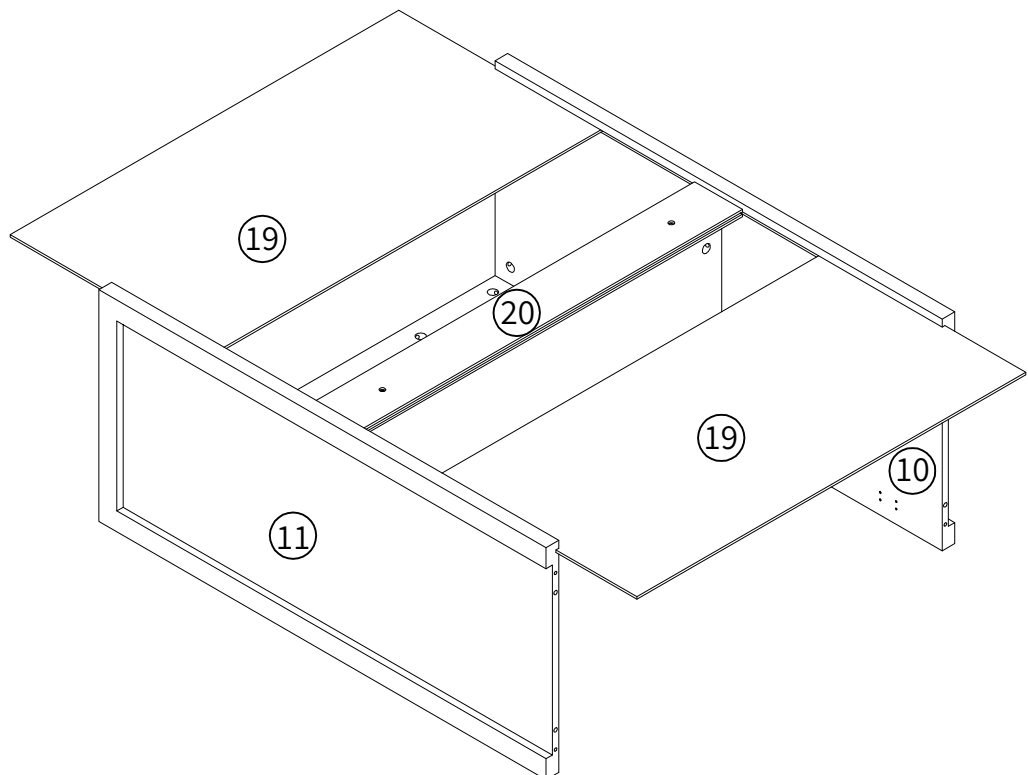
## Step 11

Insert wooden dowel (C) on part ⑫, connect part ⑫⑮⑳ to part ⑪ with eccentric wheels (B). Put the eccentric wheels (B) into the corresponding holes on part ⑫⑮⑳ and use a screwdriver to turn it clockwise to tighten, the installation position is as shown.



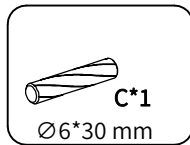
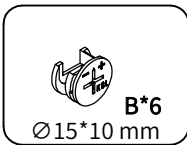
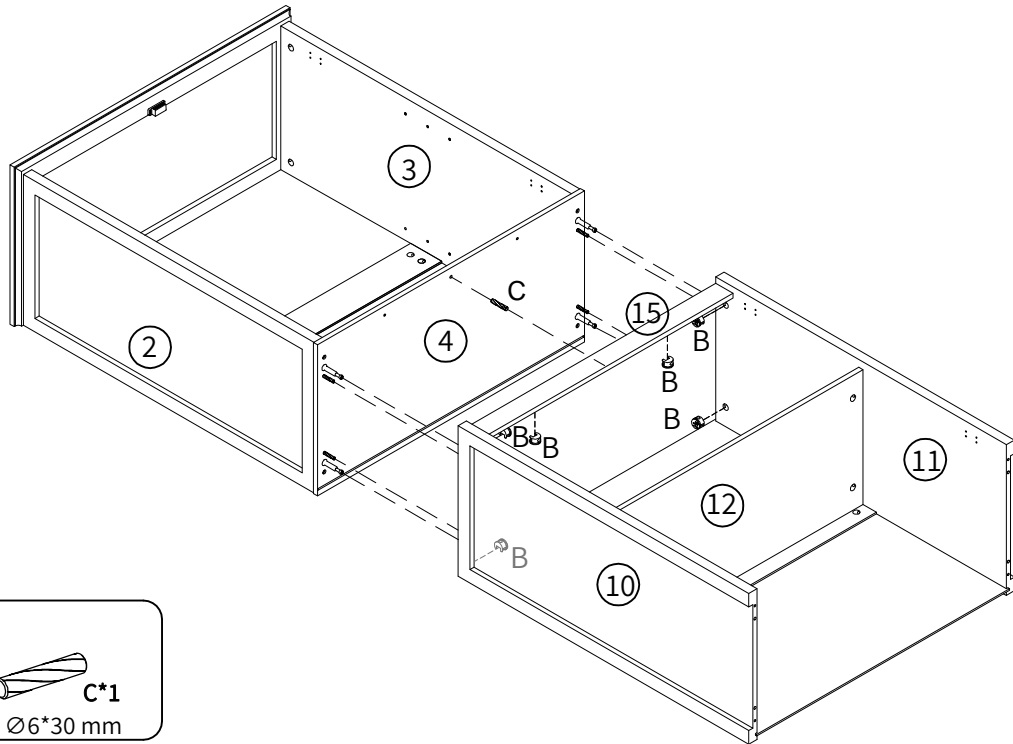
## Step 12

Insert part ⑲ into the corresponding groove of parts ⑩ and ⑪.



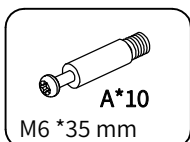
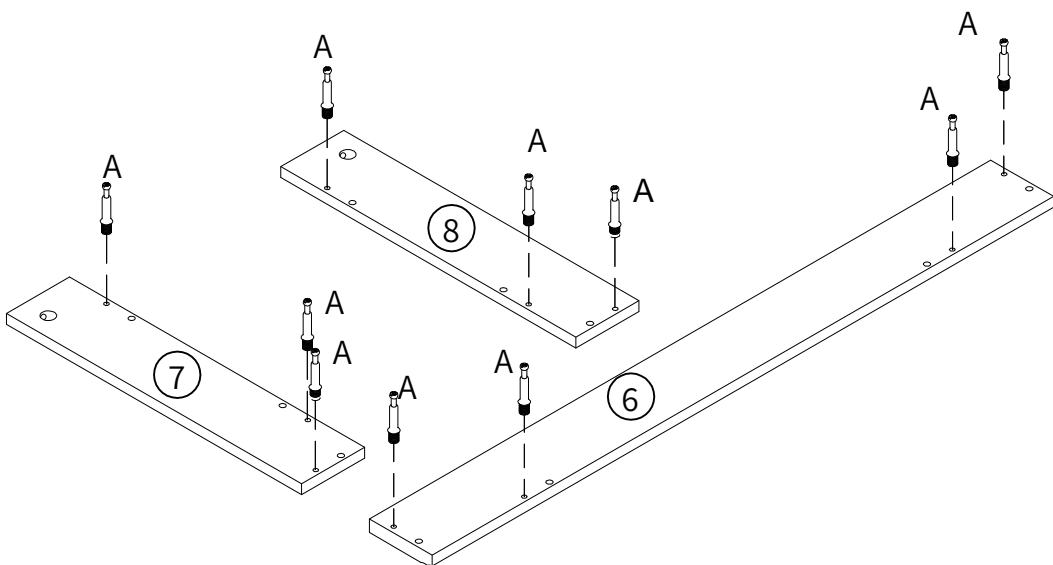
## Step 13

Insert wooden dowel (C) on part ④, connect part ⑩⑪⑮ to part ④ with eccentric wheels (B). Put the eccentric wheels (B) into the corresponding holes on part ⑩ ⑪ ⑮ and use a screwdriver to turn it clockwise to tighten, the installation position is as shown.



## Step 14

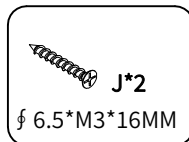
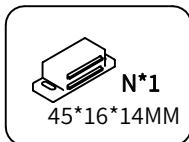
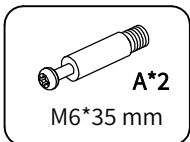
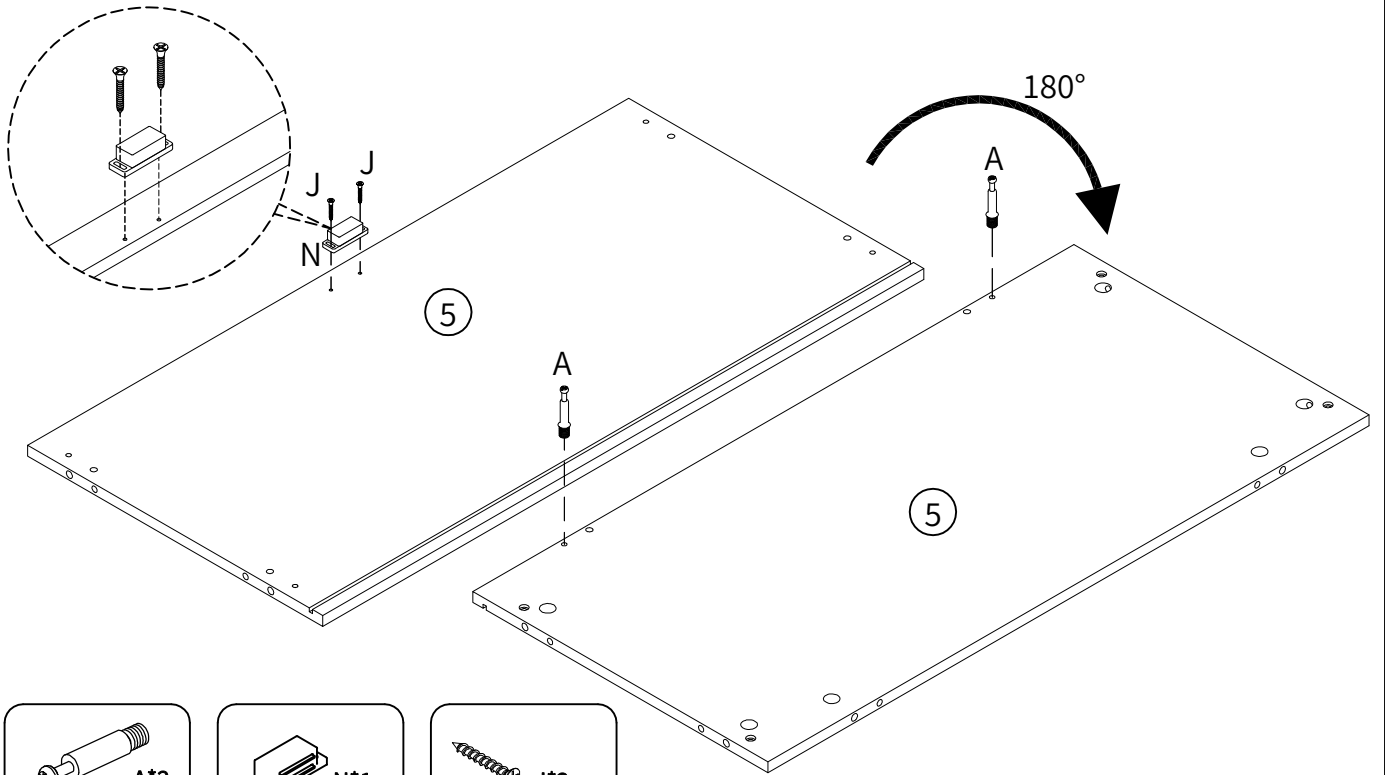
Insert screws (A) into corresponding holes in part ⑥, ⑦ and ⑧ as shown.



## Step 15

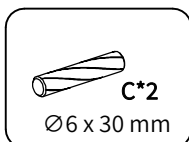
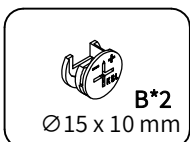
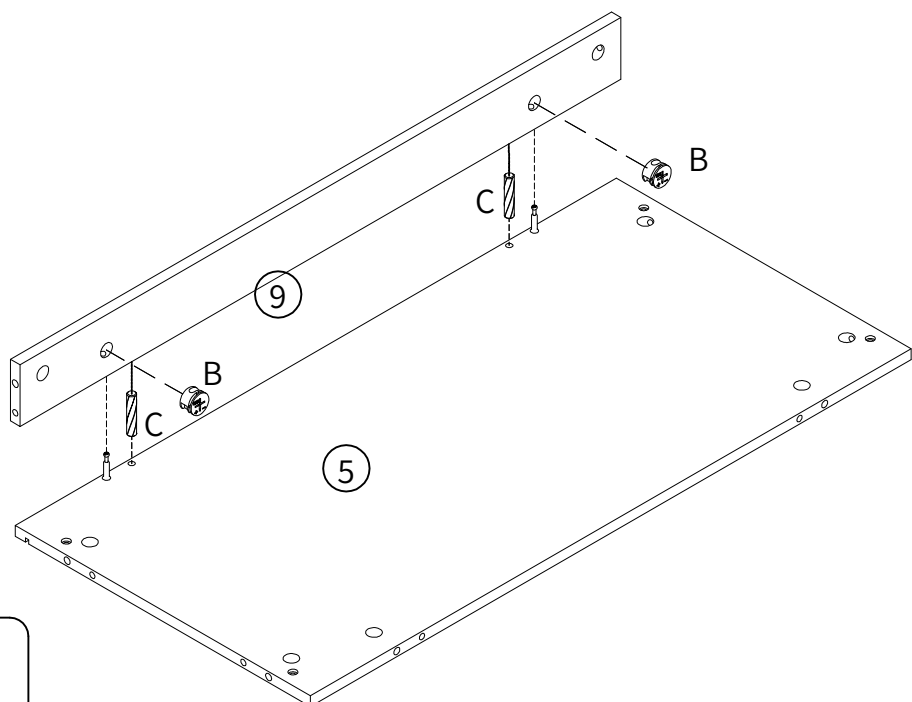
Use self tapping screws (J) to fix magnetic touch (N) on part ⑤.

Flip part ⑤ 180°, and insert screws (A) into the corresponding hole on part ⑤.



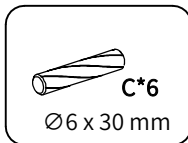
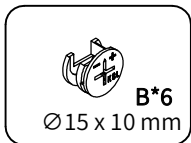
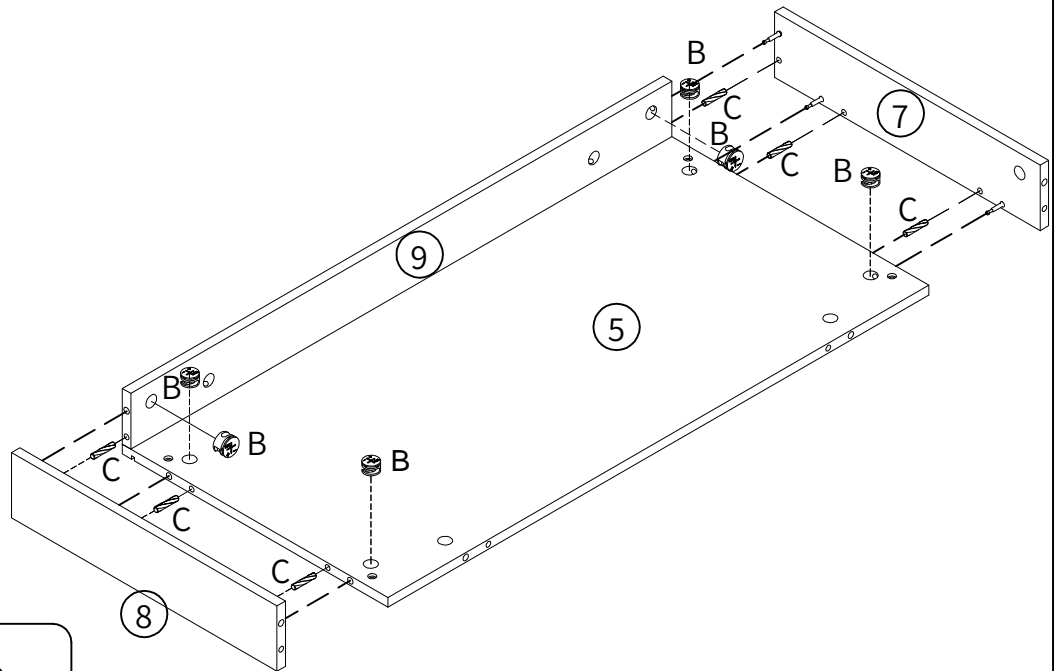
## Step 16

Insert wooden dowel (C) on part ⑤, connect part ⑤ to part ⑨ with eccentric wheels (B). Put the eccentric wheels (B) into the corresponding holes on part ⑨ and use a screwdriver to turn it clockwise to tighten, the installation position is as shown.



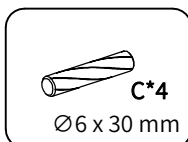
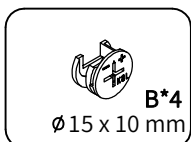
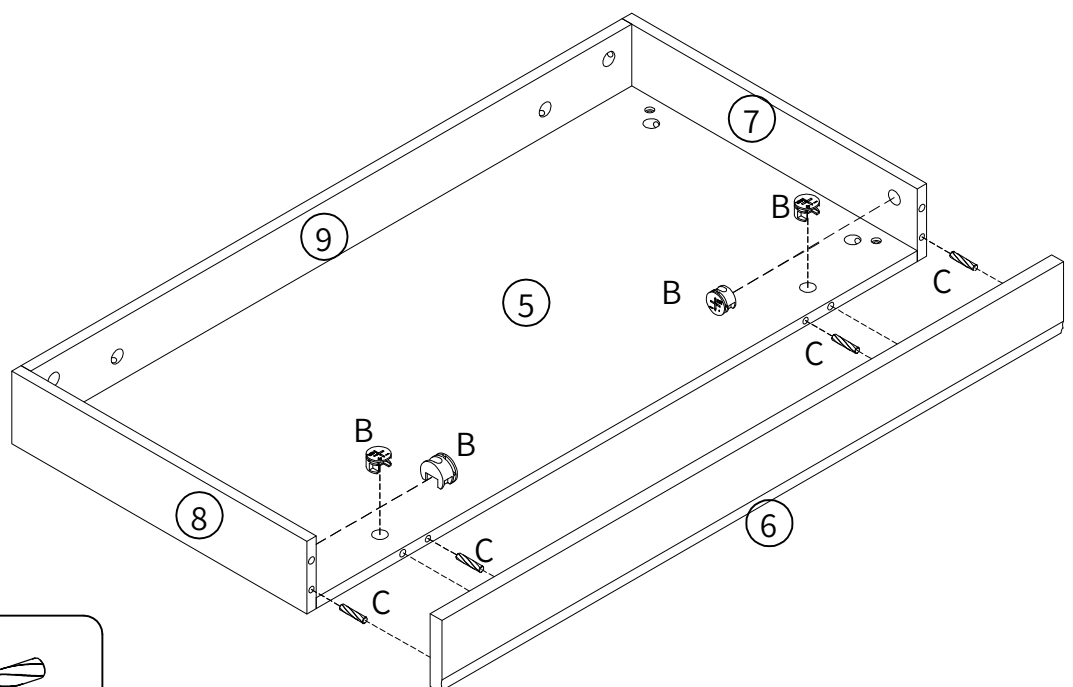
## Step 17

Insert wooden dowel (C) on part ⑤ ⑨, connect part ⑦ ⑧ to part ⑤ ⑨ with eccentric wheels (B). Put the eccentric wheels (B) into the corresponding holes on part ⑤ ⑨ and use a screwdriver to turn it clockwise to tighten, the installation position is as shown.



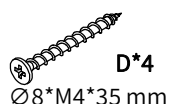
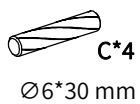
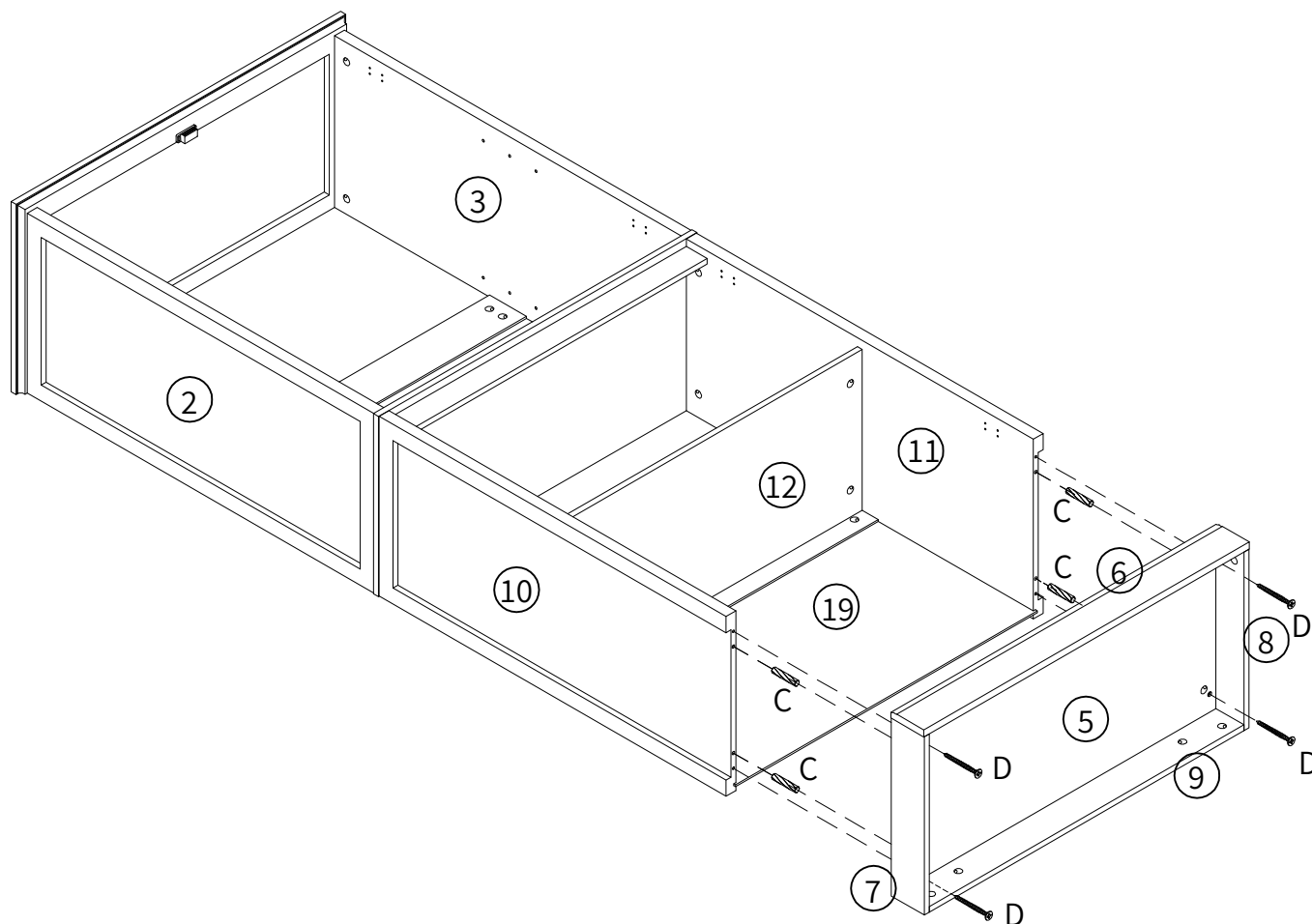
## Step 18

Insert wooden dowel (C) on part ⑤ ⑦ ⑧, connect part ⑥ to part ⑤ ⑦ ⑧ with eccentric wheels (B). Put the eccentric wheels (B) into the corresponding holes on part ⑤ ⑦ ⑧ and use a screwdriver to turn it clockwise to tighten, the installation position is as shown.



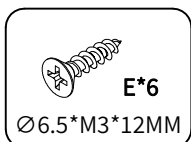
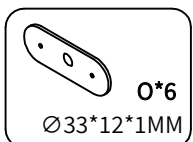
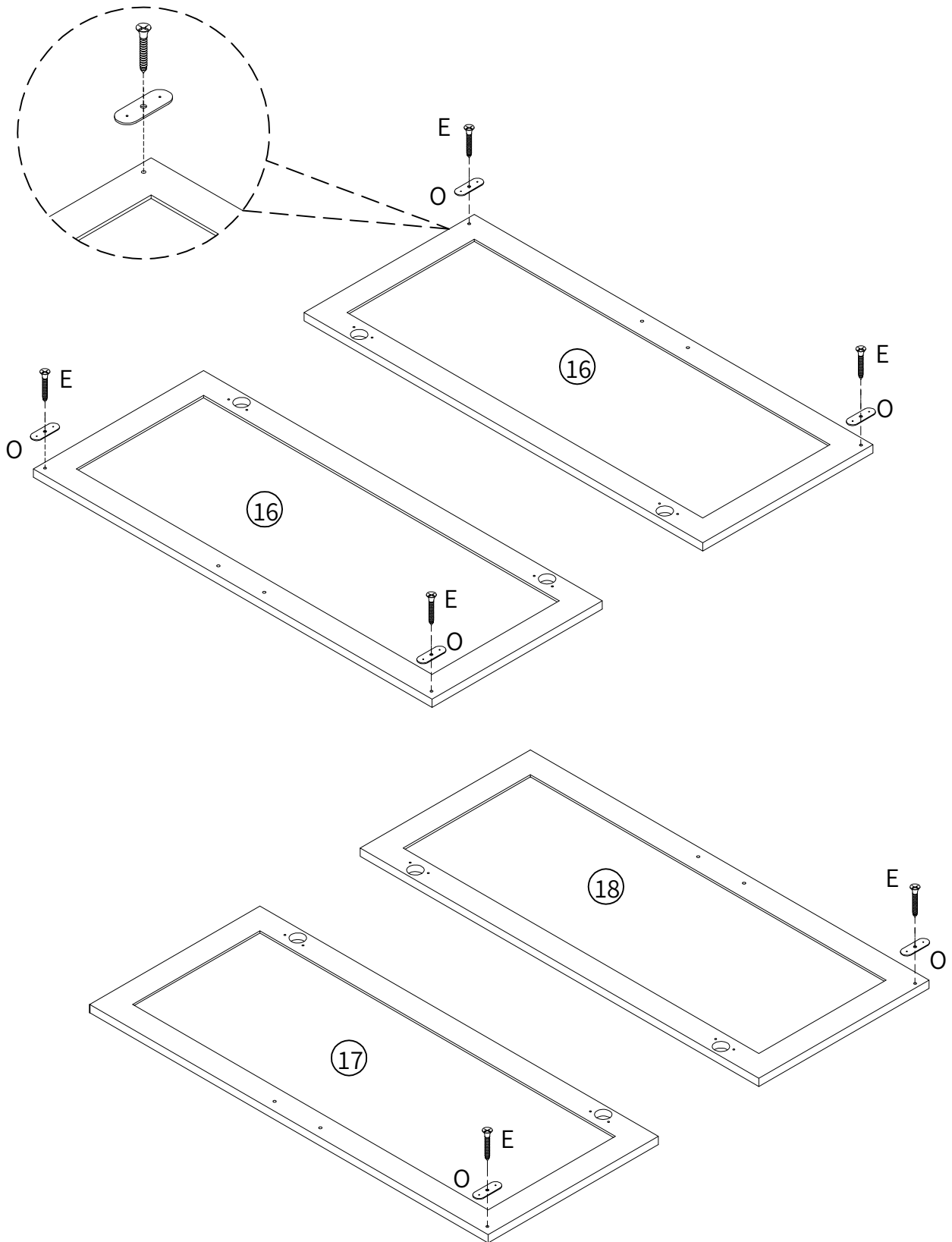
## Step 19

Insert wooden dowel (C) on part⑩⑪, connect the set part ⑤⑥⑦⑧⑨ to part⑩⑪ with screw(D).



## Step 20

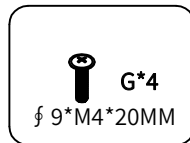
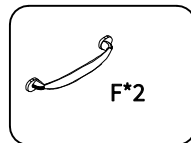
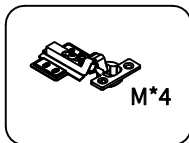
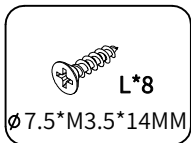
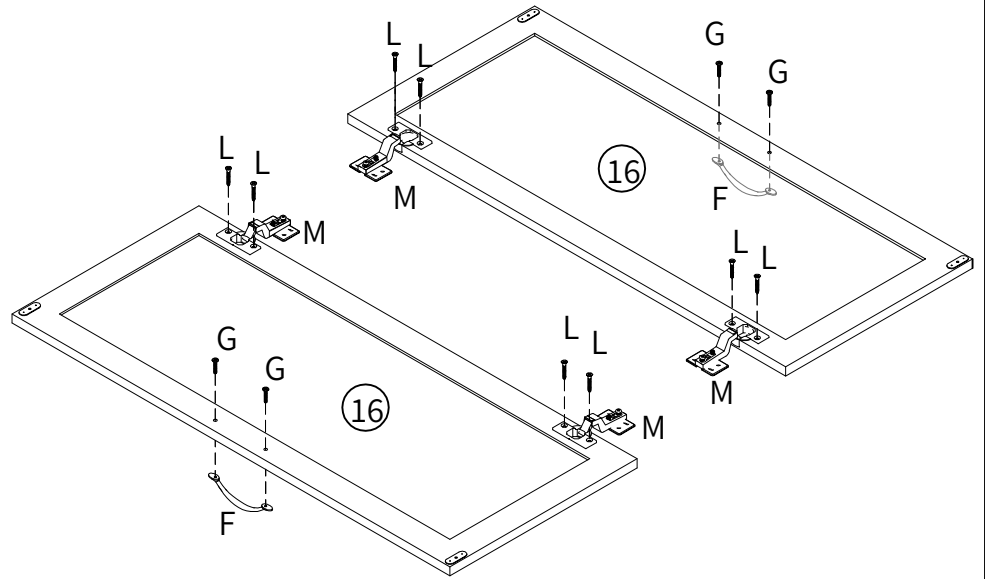
Fix the patches (O) onto parts ①⑥, ①⑦, and ①⑧ with screws (E).



## Step 21

Fix the door handles (F) onto part ⑩ with screws (G).

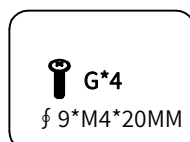
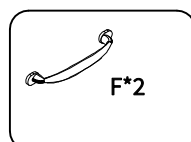
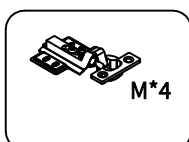
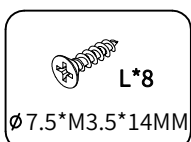
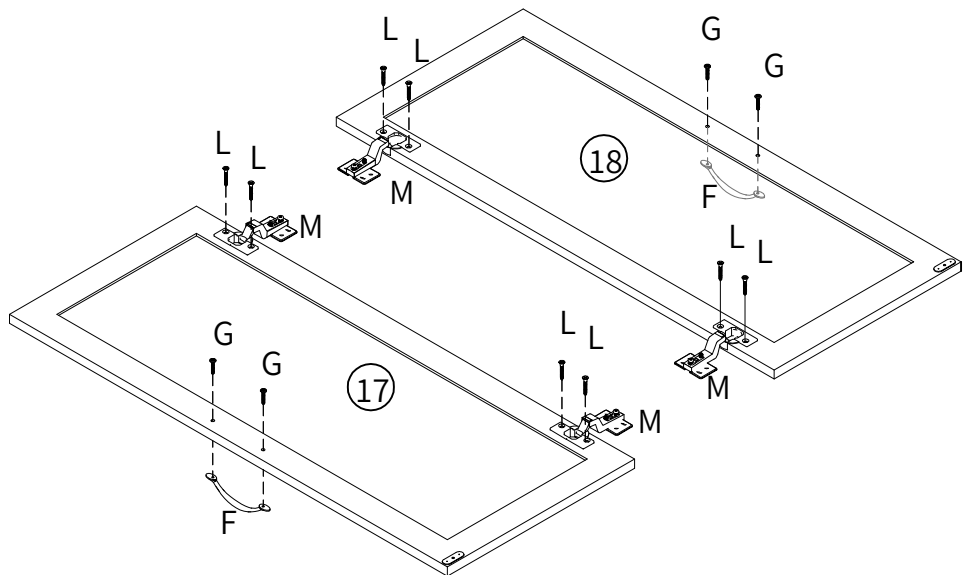
Fix hinges (M) onto part ⑩ with screws (L).



## Step 22

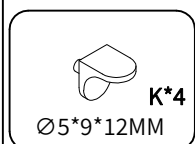
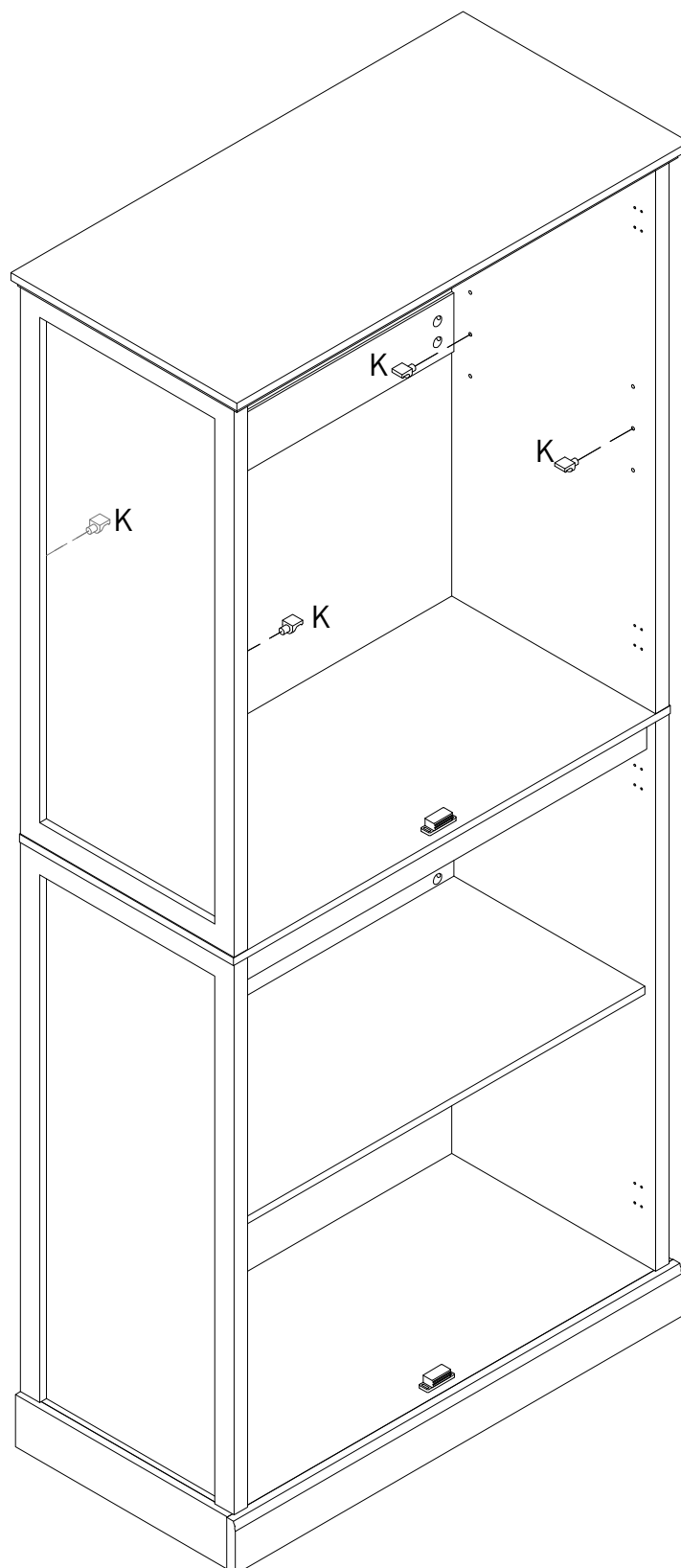
Fix the door handle (F) onto part ⑪ and ⑫ with screws (G)

Fix hinges (M) onto part ⑪ and ⑫ with screws (L)



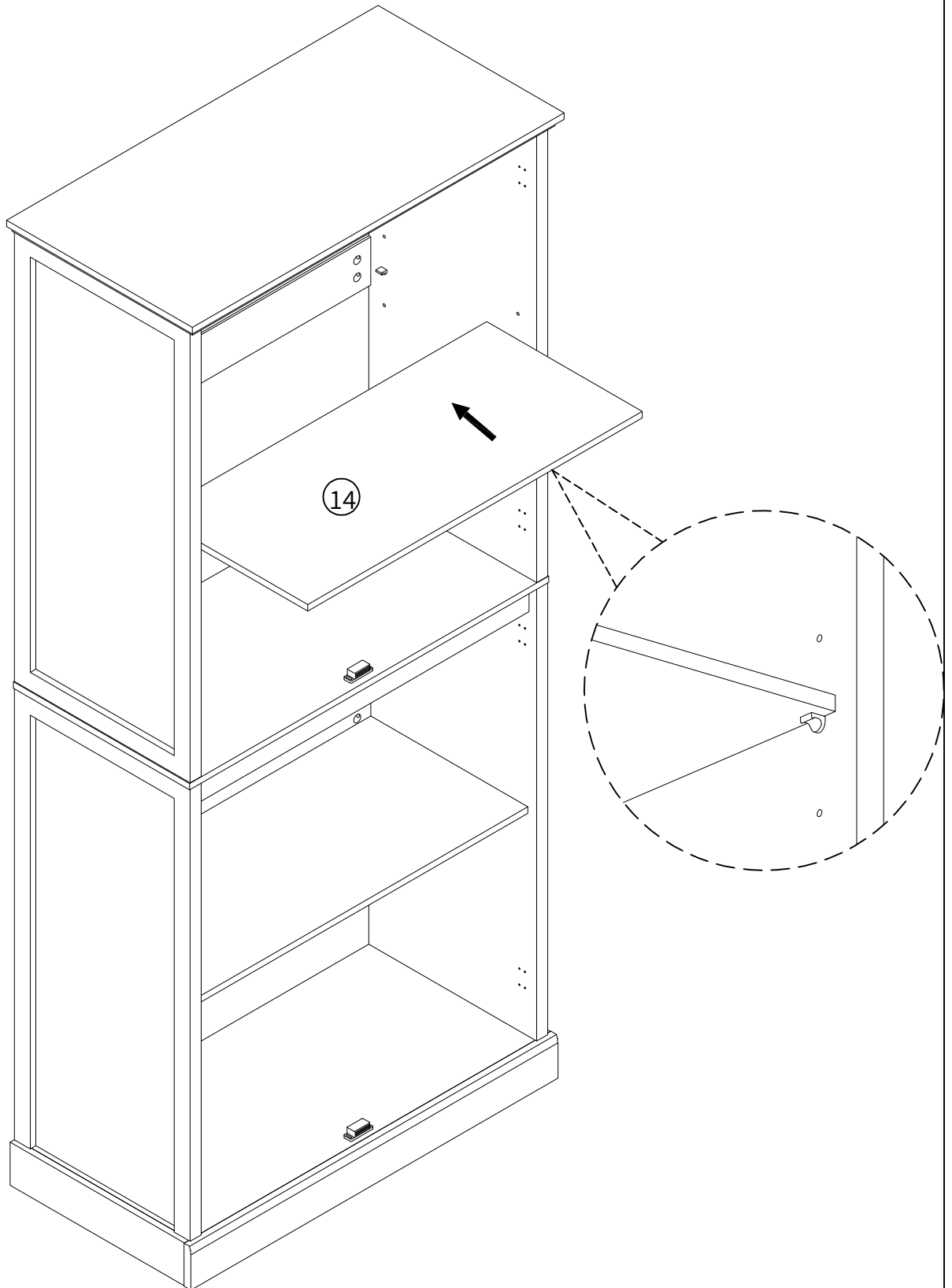
## Step 23

Insert the layer board brackets(K) into the corresponding hole on the side Board.



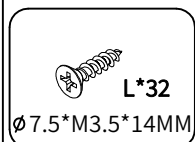
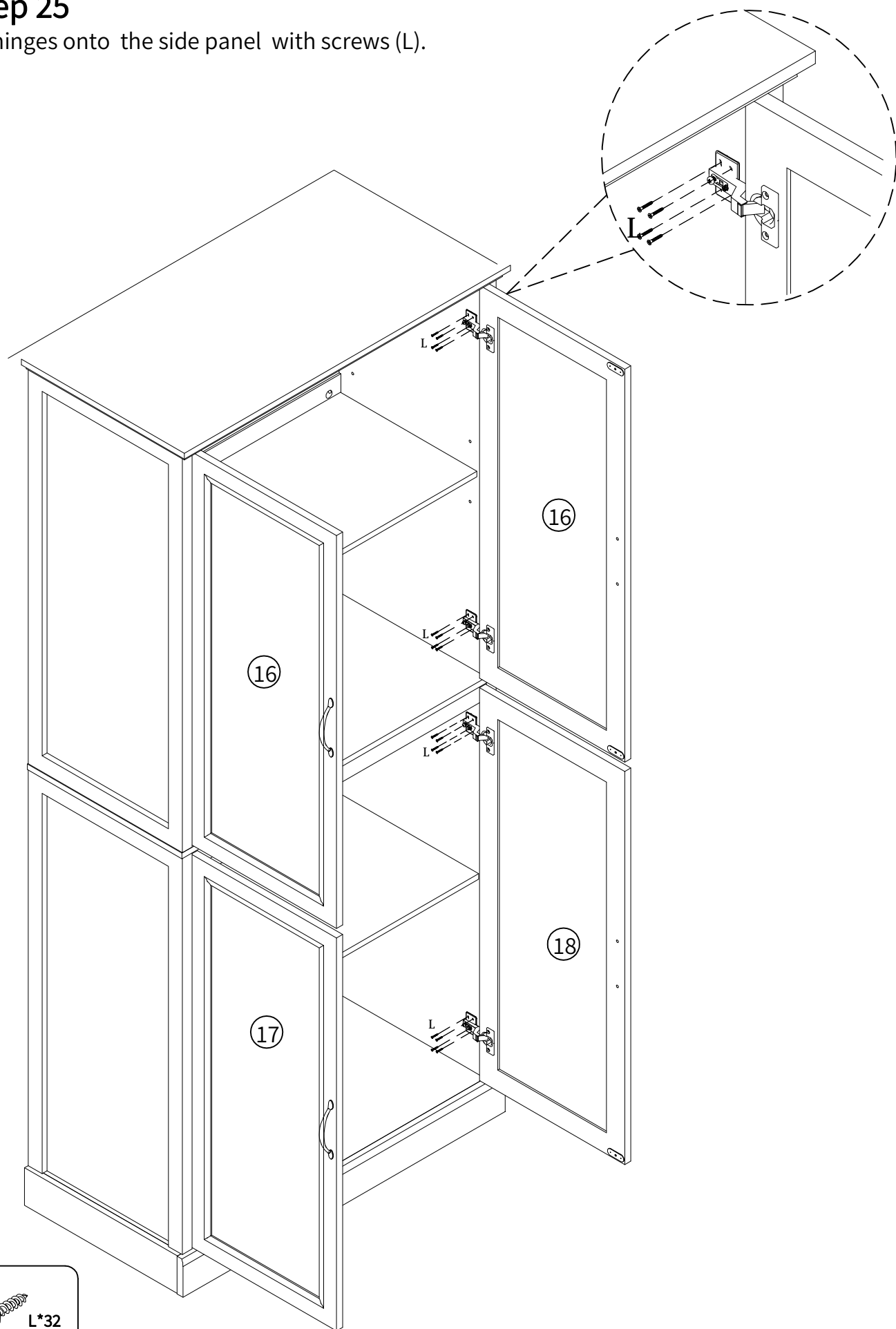
## Step 24

Put on the moving board ⑭ on the layer board brackets.



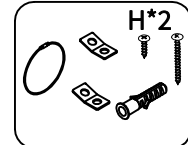
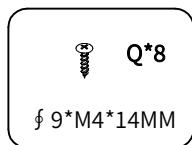
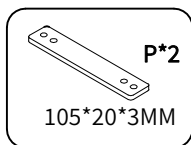
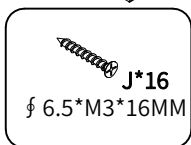
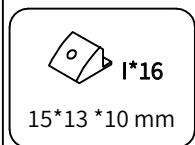
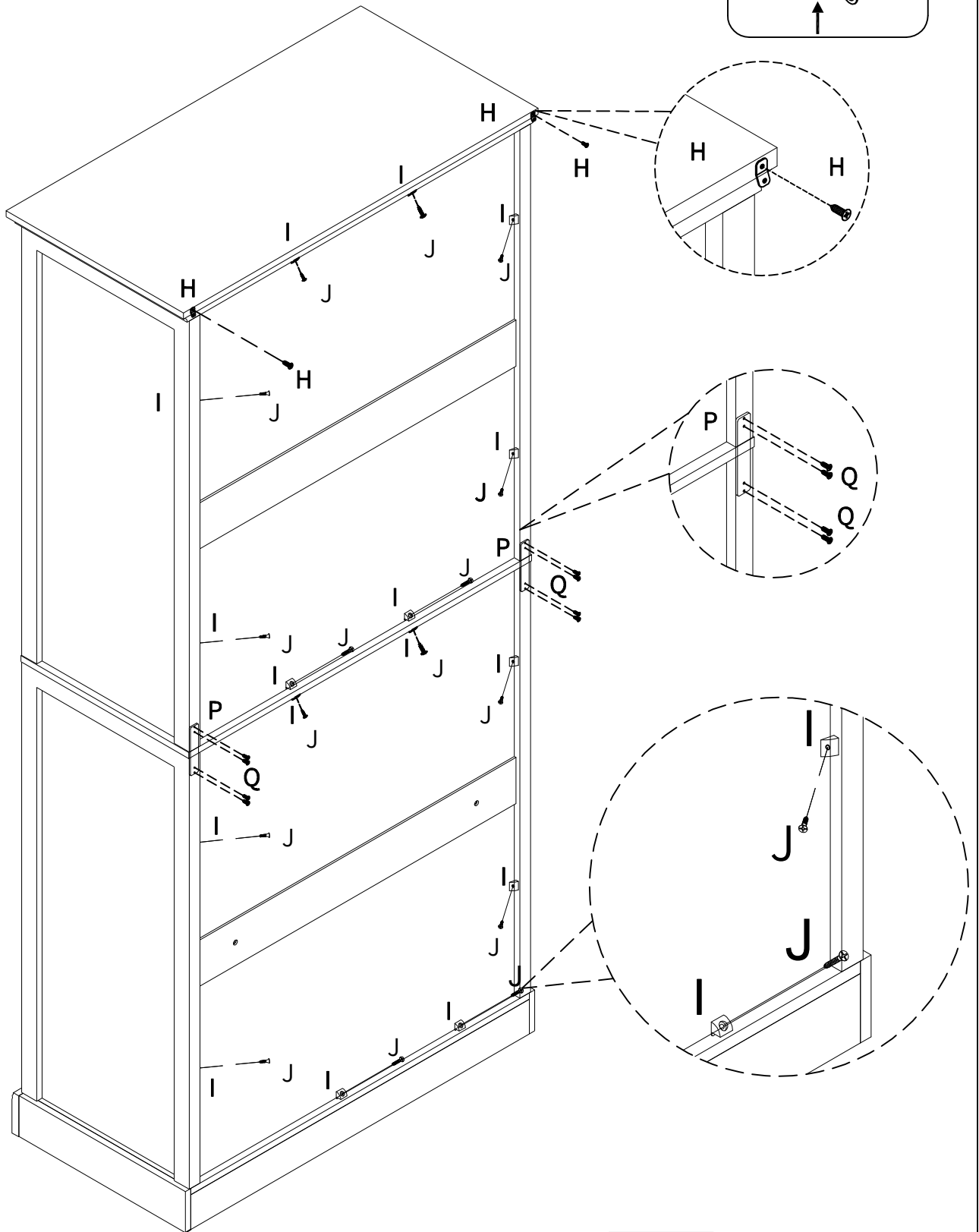
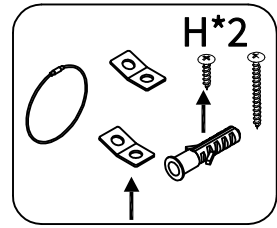
## Step 25

Fix hinges onto the side panel with screws (L).



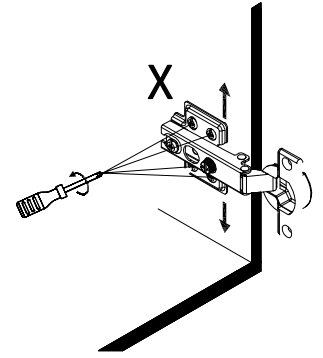
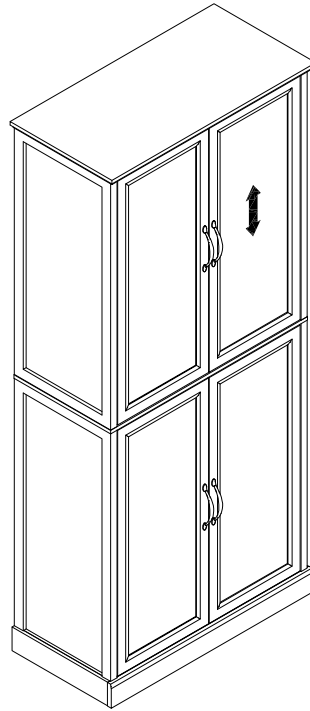
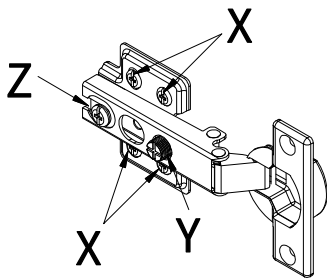
# Step 26

Fix the patches (H) on the top back with screws(H).  
 Fix the backboard buckles (I) onto the backboard with screws(J).  
 Fix the patches (P) on the backplate with screws(Q).

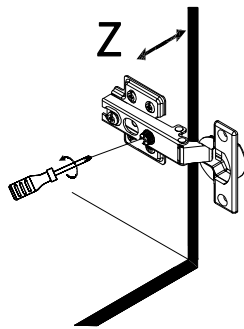
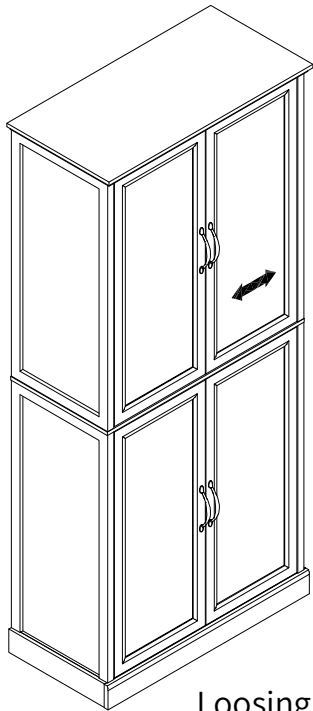


# Step 27

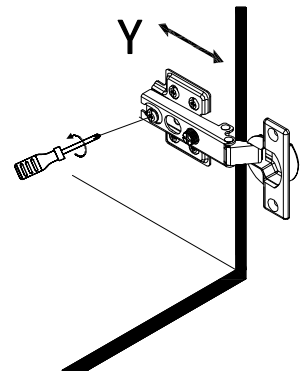
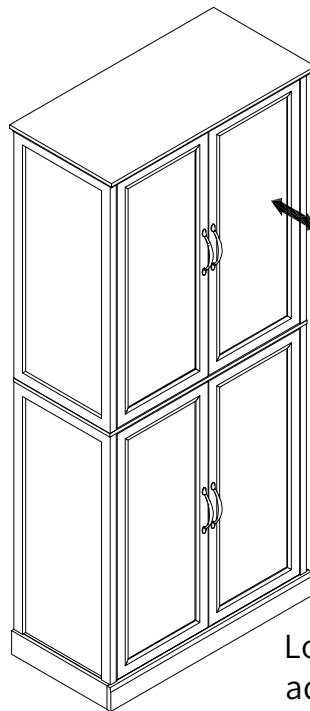
## Hinges Adjustment Tips



Loosening screw X can adjust the door panel vertically.



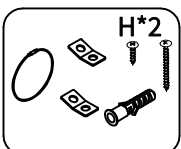
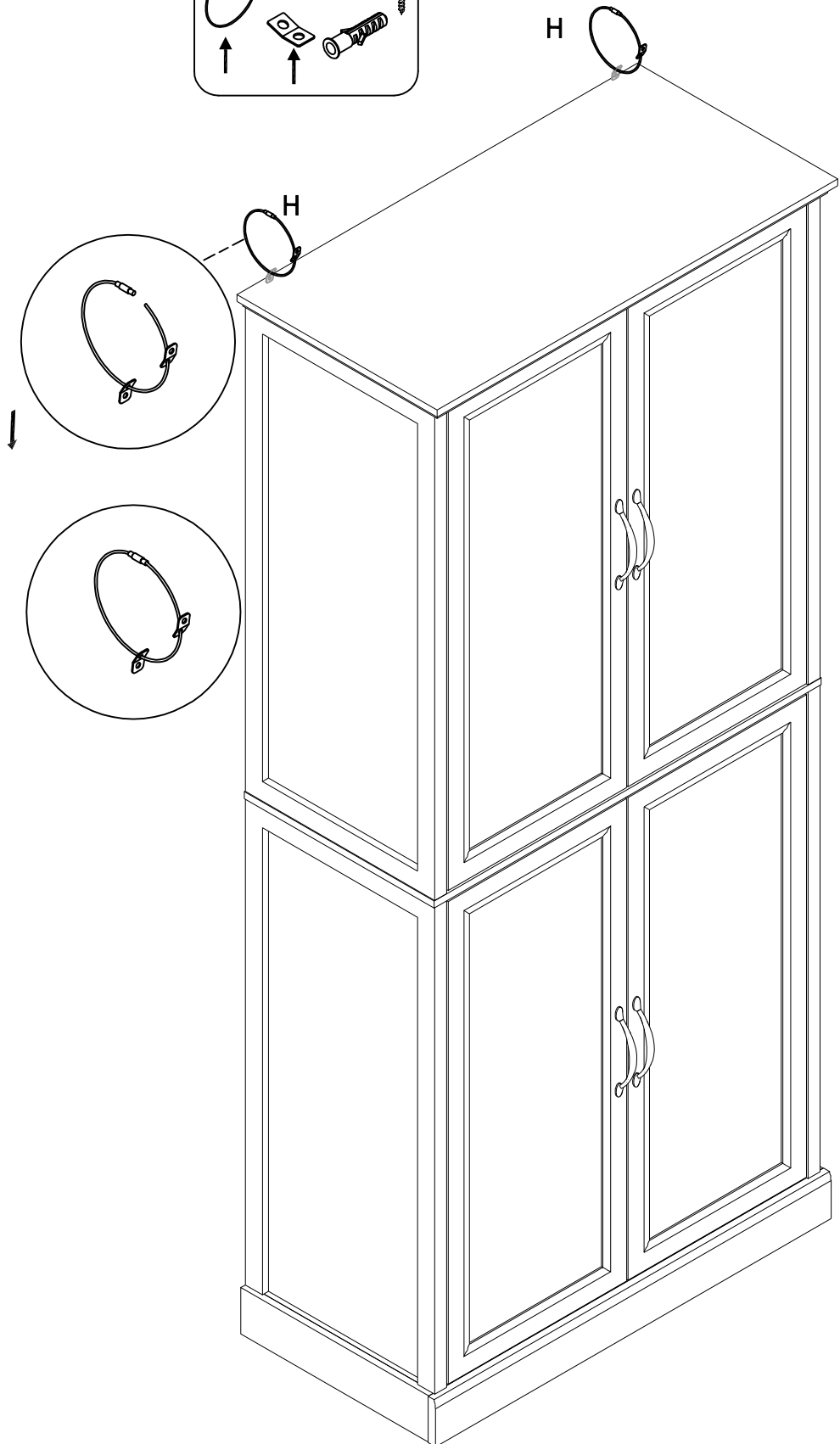
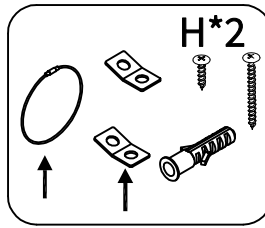
Loosening screw Y can adjust the door panel vertically.



Loosening screw Y can adjust the door panel vertically.

# Step 28

Fix with anti fall hardware (H).



# Step 29

Fix the anti collapse hardware(H) on the wall with screws(H).

