

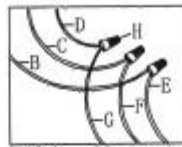
# Installation Instruction

1



turn off the power.

4

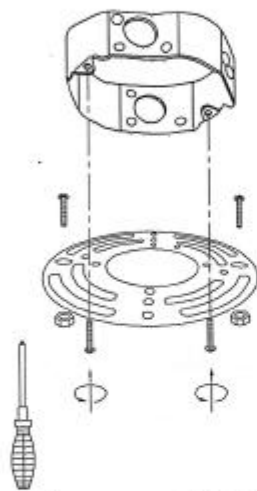


Wire connection

B-Black wire(L) from junction box  
C-White wire(N) from junction box  
D-Green wire or bare copper from junction box  
E-Black wire(L) from fixture  
F-White wire(N) from fixture  
G-Green wire or bare copper from fixture  
H-wire connector x 3

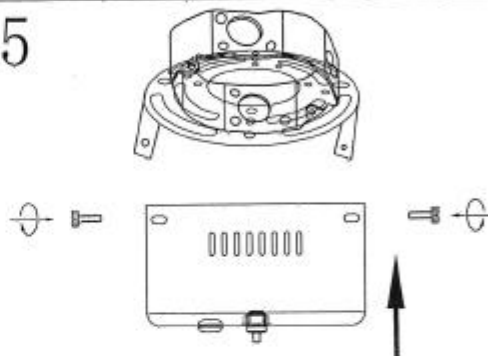
Connect wires

2



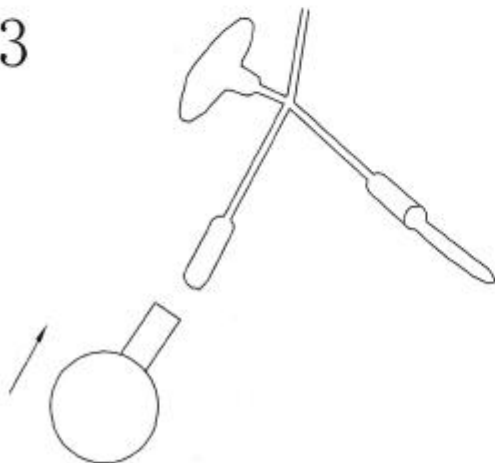
install mounting bracket

5



rise and install canopy to canopy cover

3



install small shade

