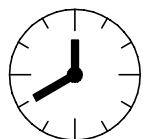
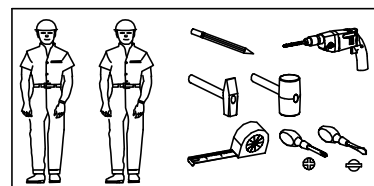
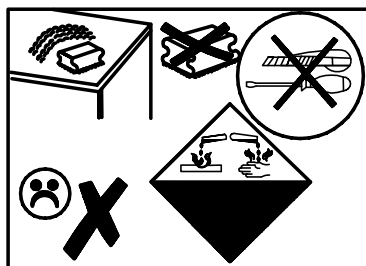
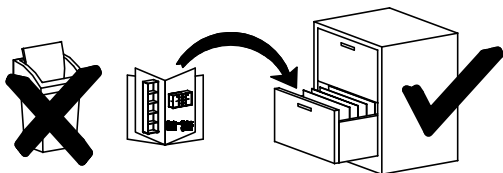
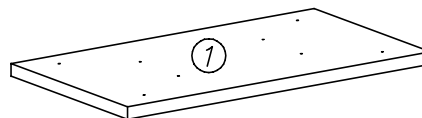
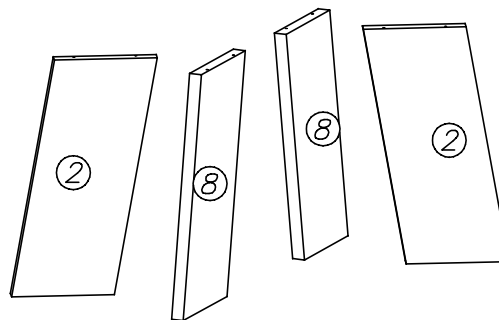
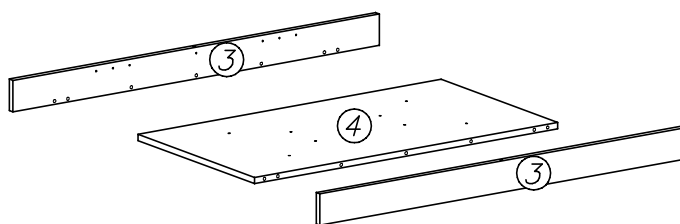
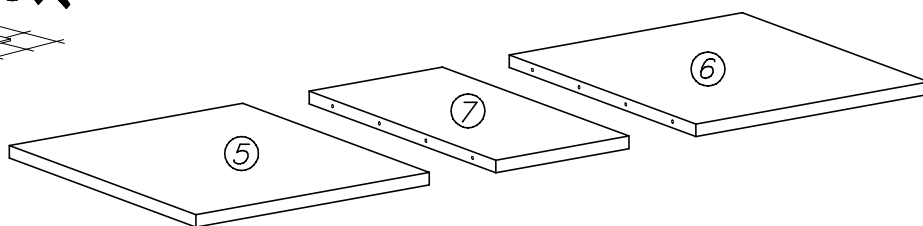
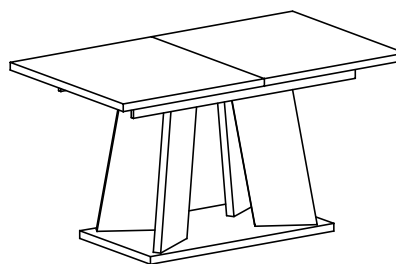
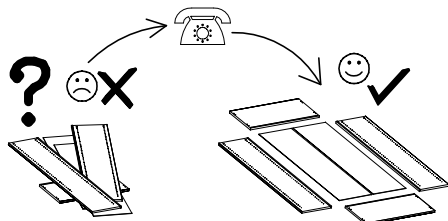
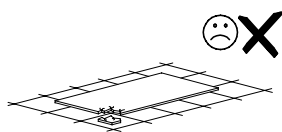
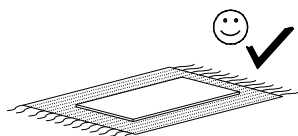
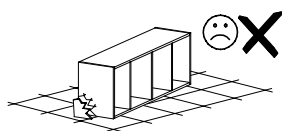
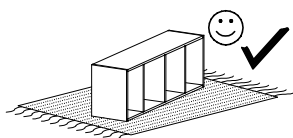


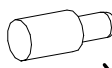




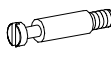
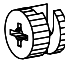

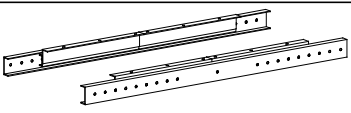
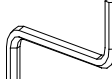


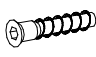
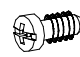

**IMPORTANT INFORMATION:**

- 1) REMOVE THE PROTECTIVE FOIL IF THE TABLE IS IN HIGH GLOSS
- 2) HIGH GLOSS SURFACE HARDENING TIME IS 2 HOURS
- 3) AFTER 2 HOURS, TO CLEAN THE SURFACE, USE ONLY SOFT CLOTHS (E.G. COTTON OR MICROFIBRE CLOTHS AVAILABLE IN STORES). WASH THE SURFACE WITH A 1% MIXTURE OF SOAPY WATER

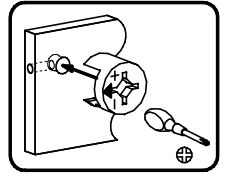
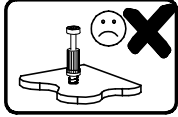
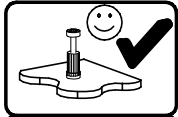
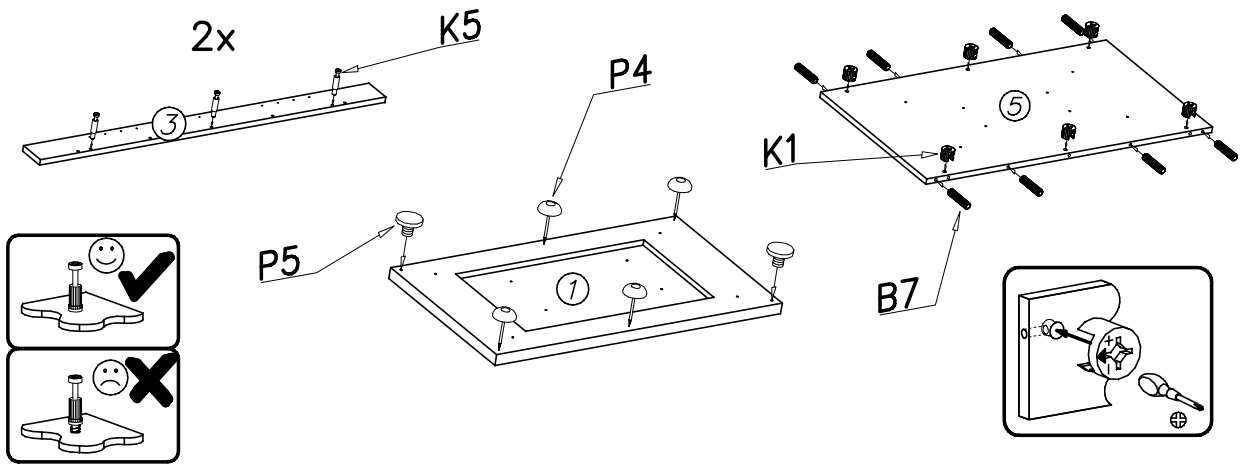


40min

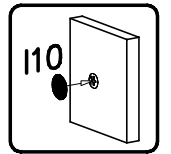
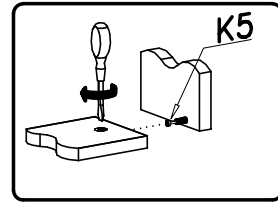
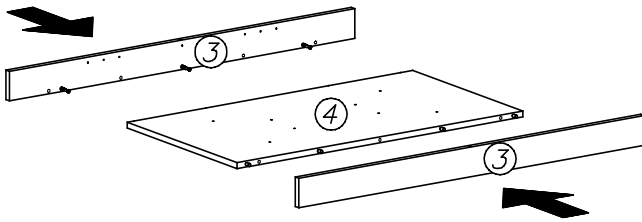


B6  x10	J10  x4	I10  x6	I11  x8		
A5  7 x 60 x4	K5  x6	K1  x6	P4  x4	H13  x1	
W2  x1	P5  x2	B7  8 x 30 x8	A1  7 x 50 x12	G40  4 x 15 x8	G10  6,3 x 13 x30

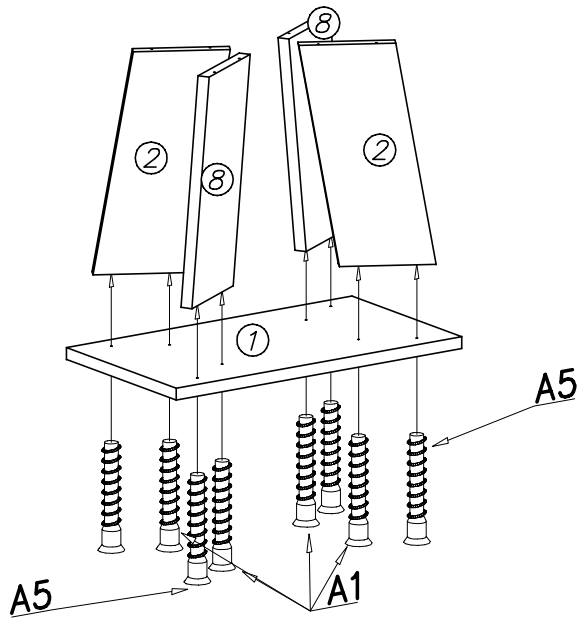
I



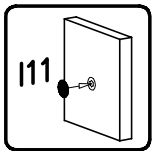
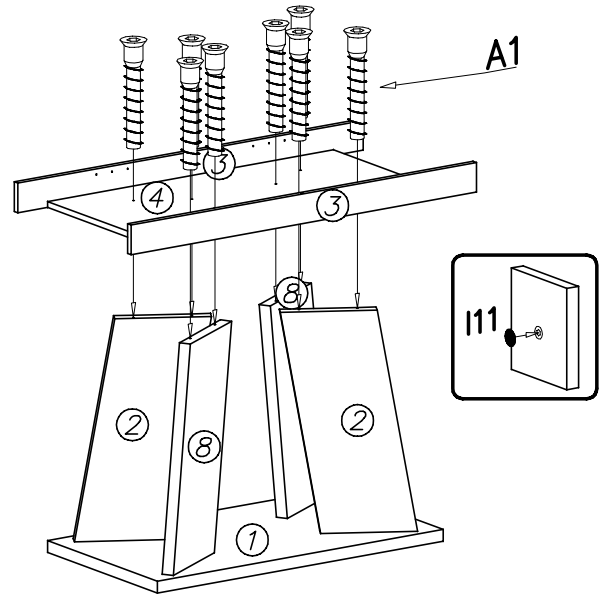
II



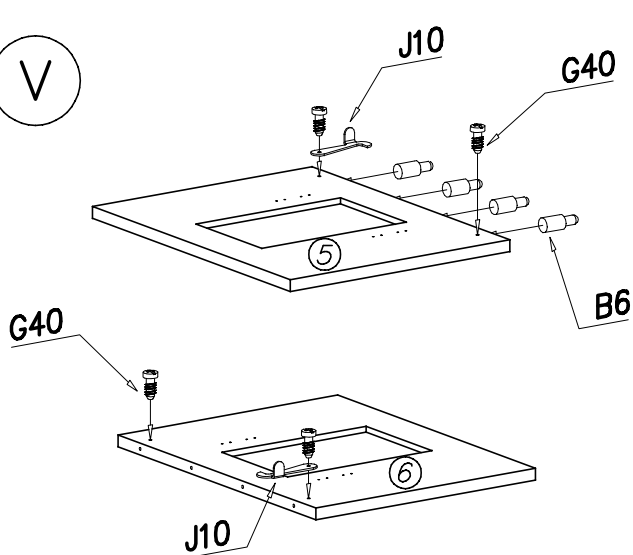
III



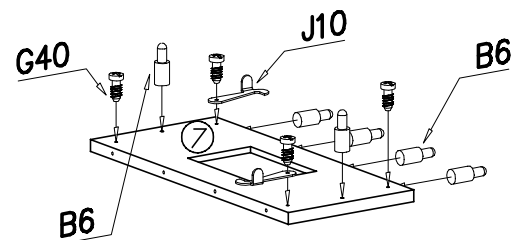
IV



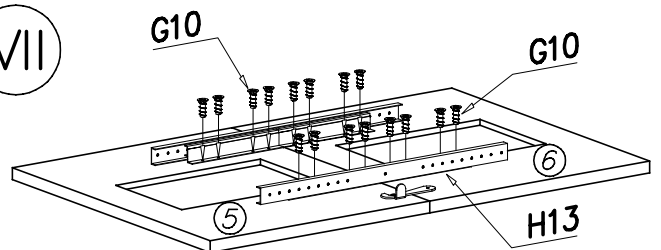
V



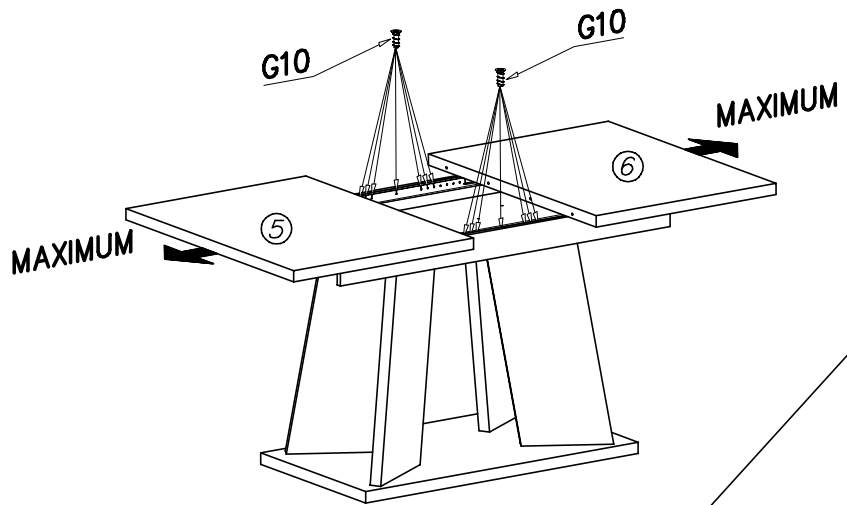
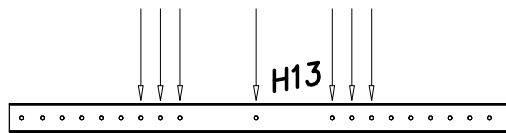
VI



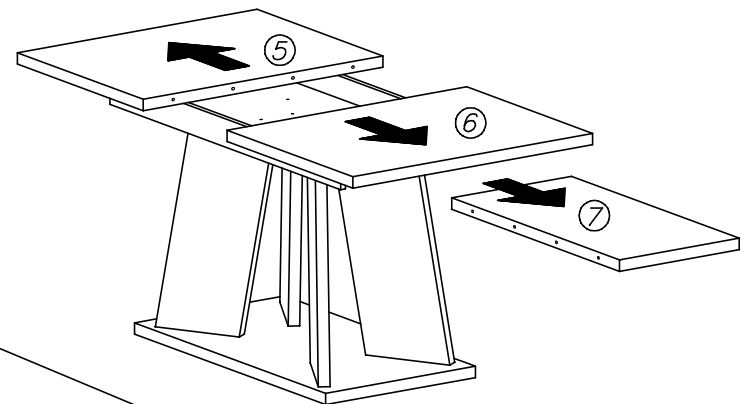
VII



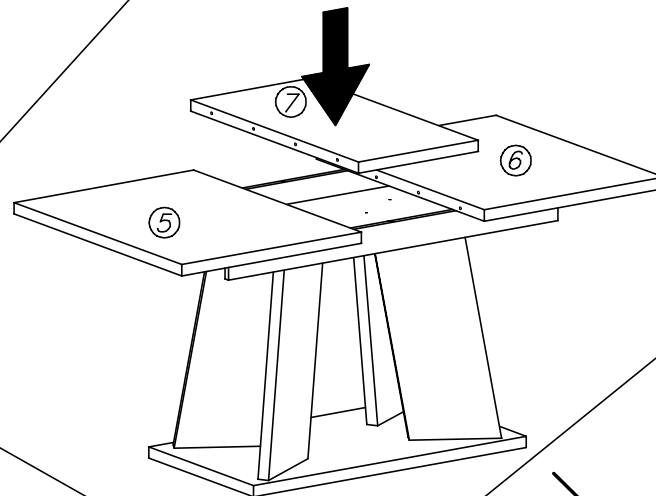
VIII



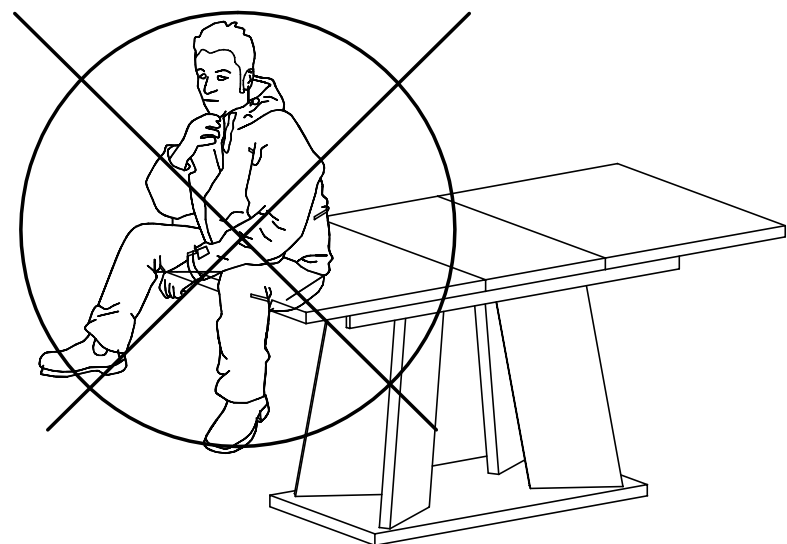
IX



X



XII



XI

