

KING BED ASSEMBLY INSTRUCTION

Thank you for purchasing this quality product. Be sure to check all packing material carefully for small parts which may have come loose inside the carton during shipment. Separate, identify and count all parts and hardware. Compare with the parts list to be sure all parts are present.

IMPORTANT : PLEASE READ INSTRUCTION BEFORE STARTING THE ASSEMBLY.

"DO NOT TIGHTEN SCREWS UNTIL COMPLETELY ASSEMBLED"

"DO NOT OVERTIGHT ANY HARDWARE"

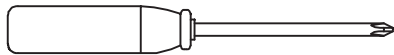
WARNING : SMALL PARTS AND HARDWARE NOT FOR CHILDREN UNDER 3 YEARS. ADULT ASSEMBLY REQUIRED.

TABLE OF CONTENTS

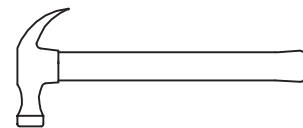
HARDWARES LIST AND PARTS LIST (BED)	PAGE 2 - 4
HARDWARES LIST AND PARTS LIST (DRAWER)	PAGE 5
PARTS' LOCATION	PAGE 6
ASSEMBLY STEPS	PAGE 7 - 14
ASSEMBLY COMPLETED	PAGE 14

ASSEMBLY TOOLS REQUIRED

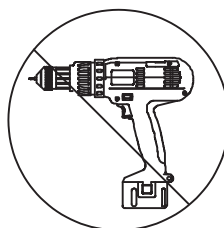
1. Screwdriver (not provide)



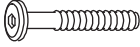


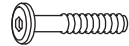
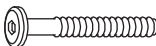








2. Hammer (not provide)



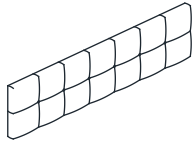
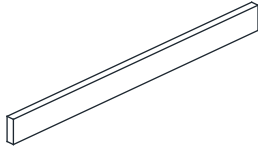
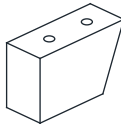
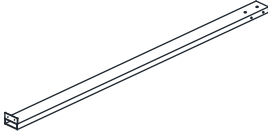
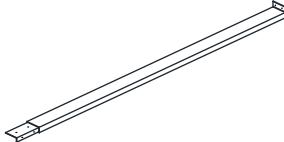
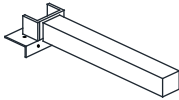
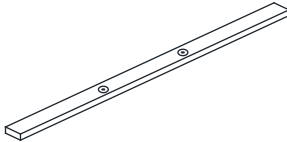
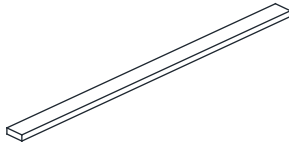
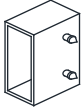
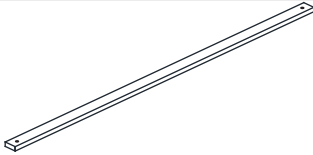
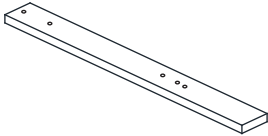
Skip the power drill this time.



HARDWARES LIST (BED)


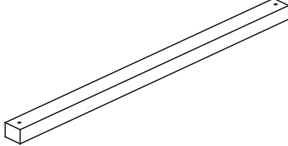
ITEM	DESCRIPTION	DRAWING	QTY
A	JCBB SCREW M8 x 50MM		4 PCS
B	JCBC SCREW M6 x 15MM		8 PCS
C	JCBC SCREW M6 x 20MM		8 PCS
D	JCBC SCREW M6 x 35MM		4 PCS
E	JCBC SCREW M6 x 70MM		2 PCS
F	WOOD DOWEL M8 x 30MM		2 PCS
G	SPRING WASHER M6 x 12MM		4 PCS
H	FLAT WASHER M6 x 19MM		4 PCS
I	SPRING WASHER M8 x 13MM		4 PCS
J	FLAT WASHER M8 x 22MM		4 PCS
K	M4 ALLEN KEY (100MM)		1 PC
L	M5 ALLEN KEY (65MM)		1 PC
M	SUPPORT LEG ADJUSTABLE FEET		8 PCS

PARTS LIST (BED)



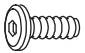


ITEM	DESCRIPTION	DRAWING	QTY
1	HEADBOARD		1 PC
2	FOOTBOARD		1 PC
3	FOOTBOARD LEG		2 PCS
4	SIDE RAIL		2 PCS
5	SIDE RAIL		2 PCS
6	SIDE RAIL LEG		2 PCS
7	SLAT WITH NUT		4 PCS
8	SLAT		8 PCS
9	SOCKET		24 PCS
10	SUPPORT RAIL		2 PCS
11	HEADBOARD LEG		2 PCS

MORE PARTS DETAIL IN NEXT PAGE...

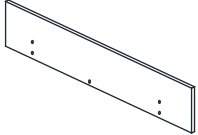
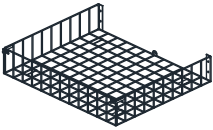

PARTS LIST (BED)

ITEM	DESCRIPTION	DRAWING	QTY
13	SUPPORT LEG WITH HANGER BOLT	 A technical drawing of a support leg, which is a long, thin rectangular bar with a hexagonal end on one side. A hanger bolt is attached to the hexagonal end, extending through the bar.	8 PCS
14	CENTER SUPPORT	 A technical drawing of a center support, which is a long, thin rectangular bar with a small notch or hole at one end.	4 PCS

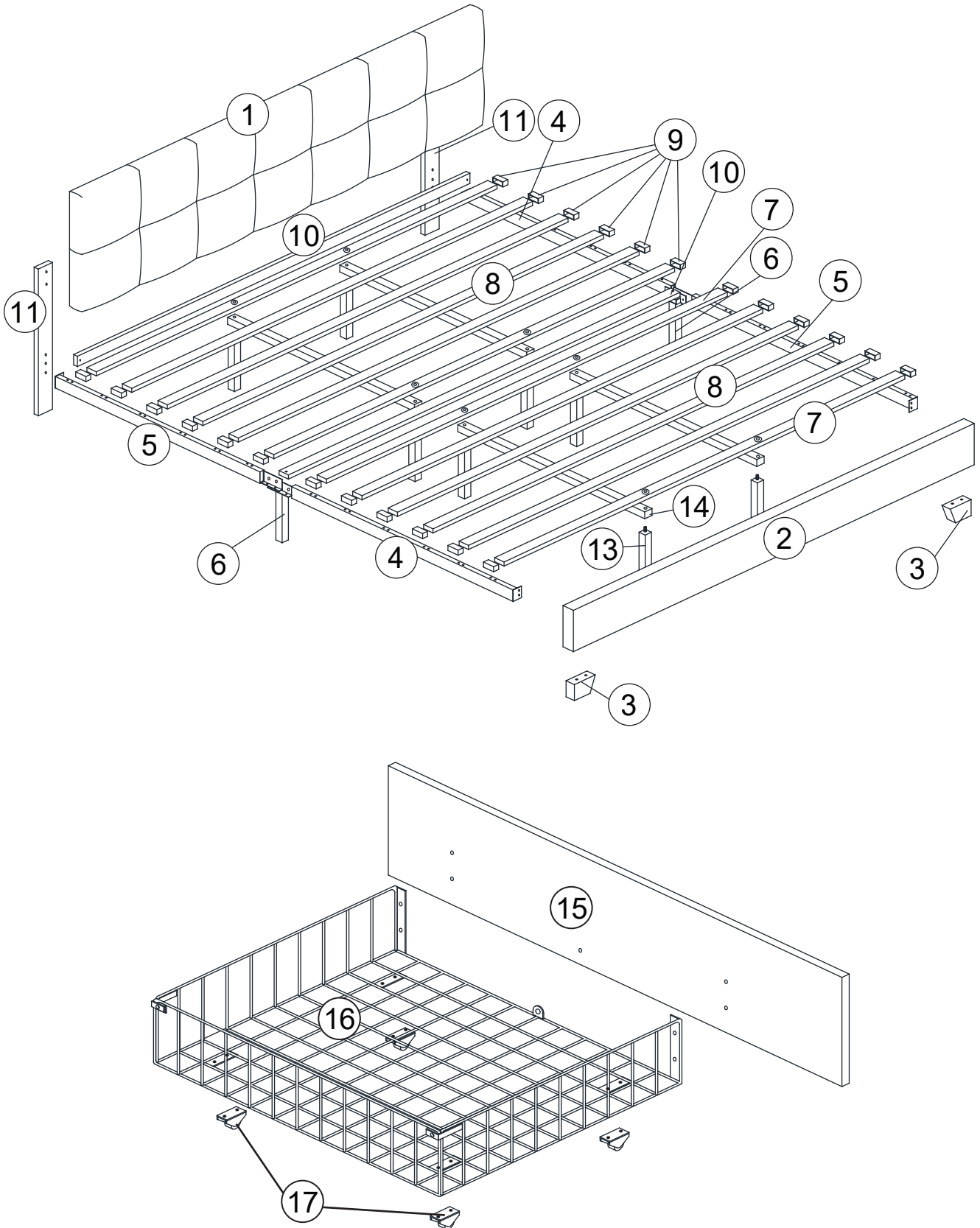
HARDWARES LIST (DRAWER)

ITEM	DESCRIPTION	DRAWING	QTY
N	NUT		40 PCS
O	JCBB SCREW M5 x 11MM		40 PCS
P	JCBC SCREW M6 x 15MM		20 PCS
Q	M4 ALLEN KEY (100MM)		1 PC
R	M3 ALLEN KEY (50MM)		1 PC
S	SPANNER		1 PC

PARTS LIST (DRAWER)

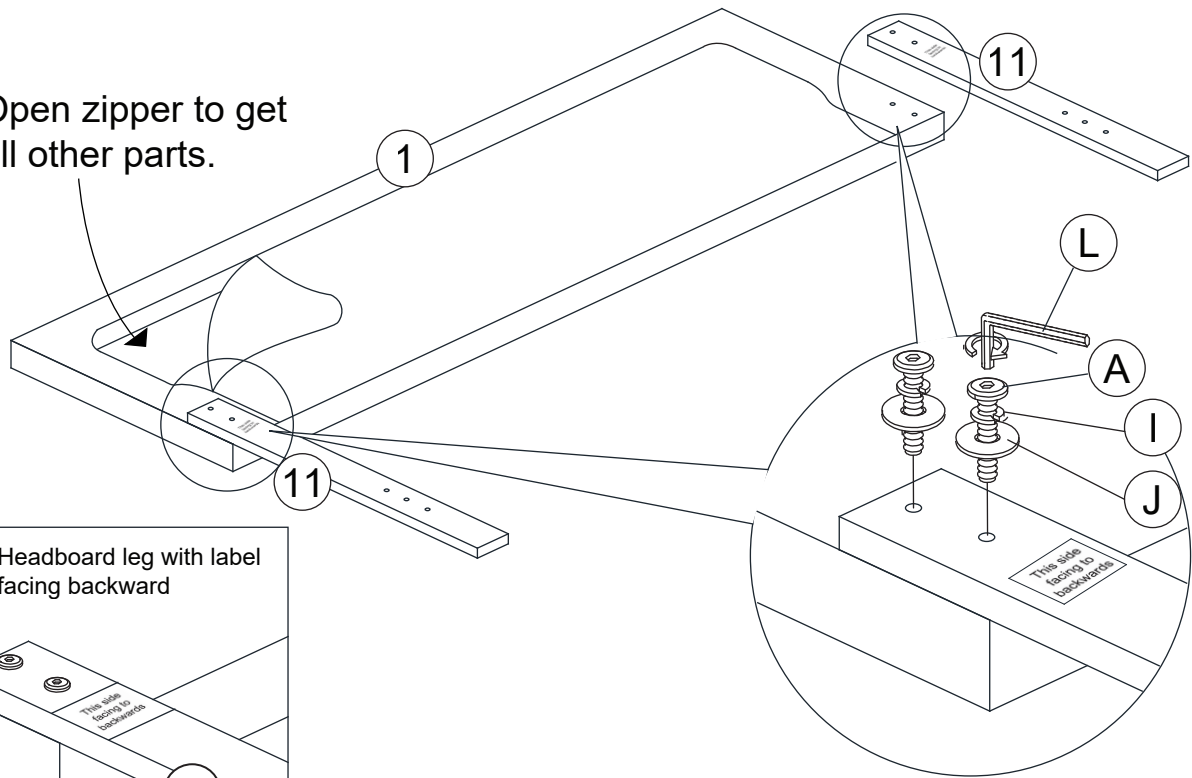
ITEM	DESCRIPTION	DRAWING	QTY
15	DRAWER PANEL		4 PCS
16	DRAWER		4 PCS
17	CASTOR		16 PCS

PARTS ' LOCATION

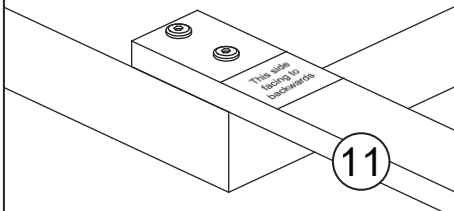


STEP 1

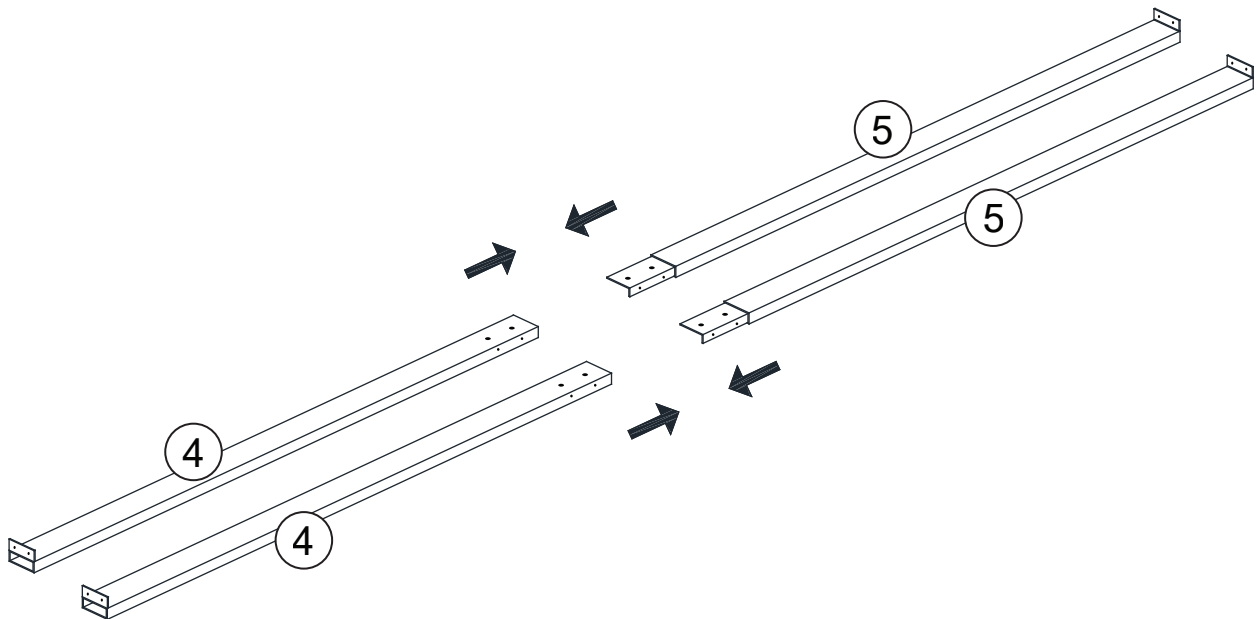
Open zipper to get all other parts.



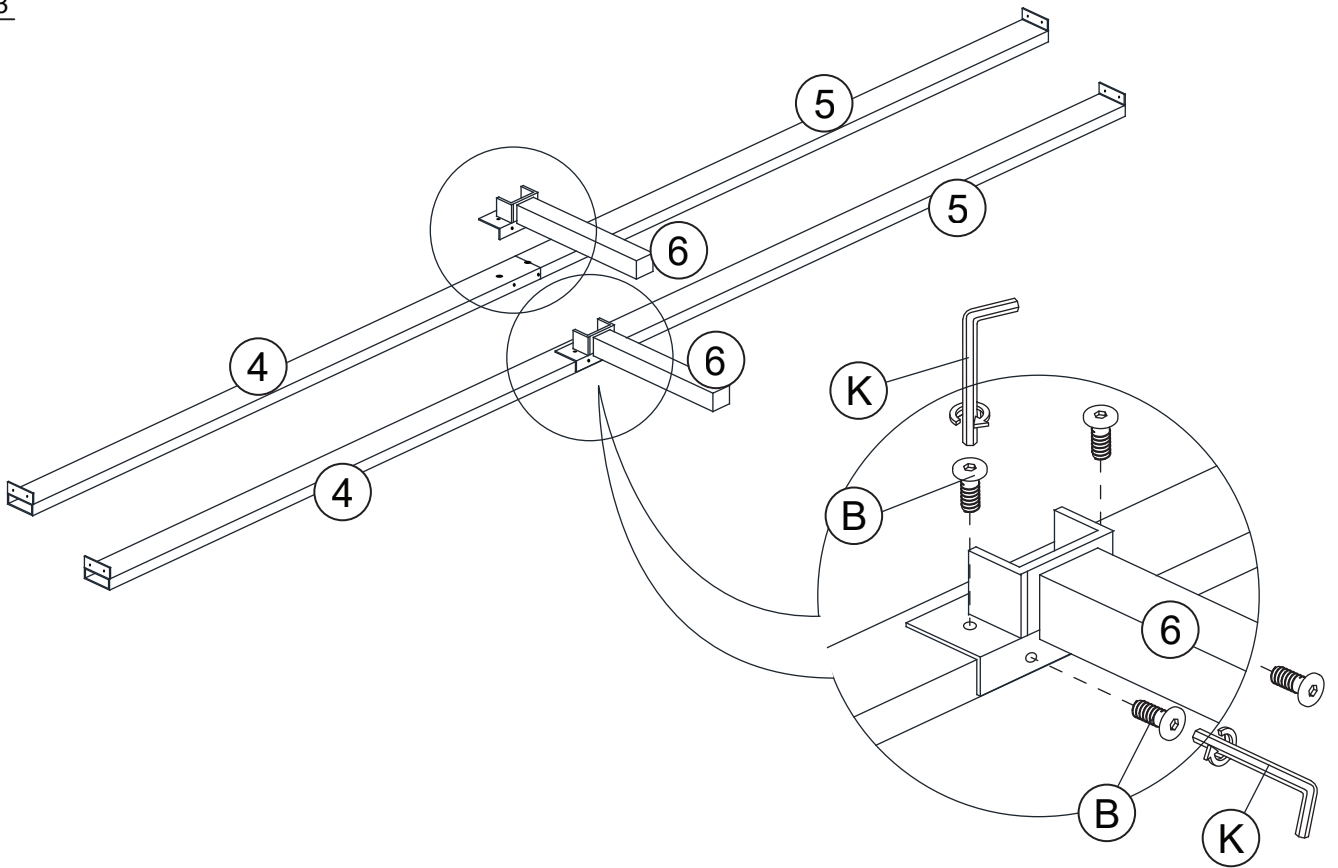
REMARK : Headboard leg with label facing backward



STEP 2

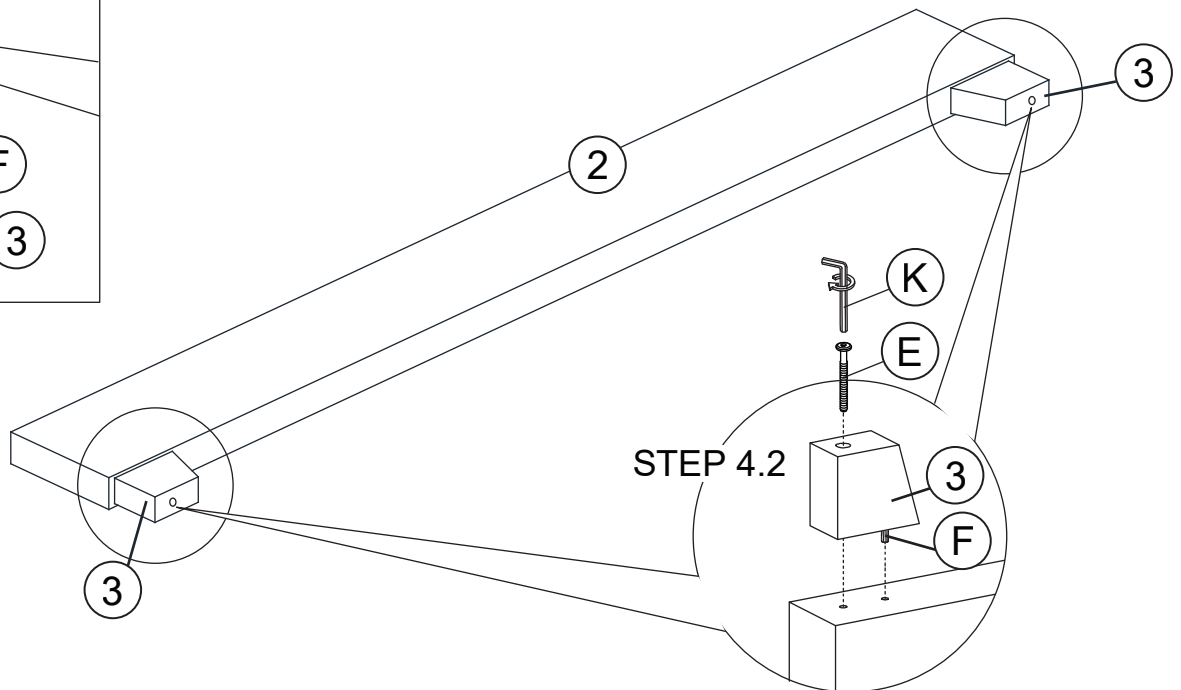
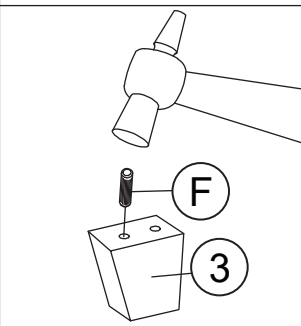


STEP 3

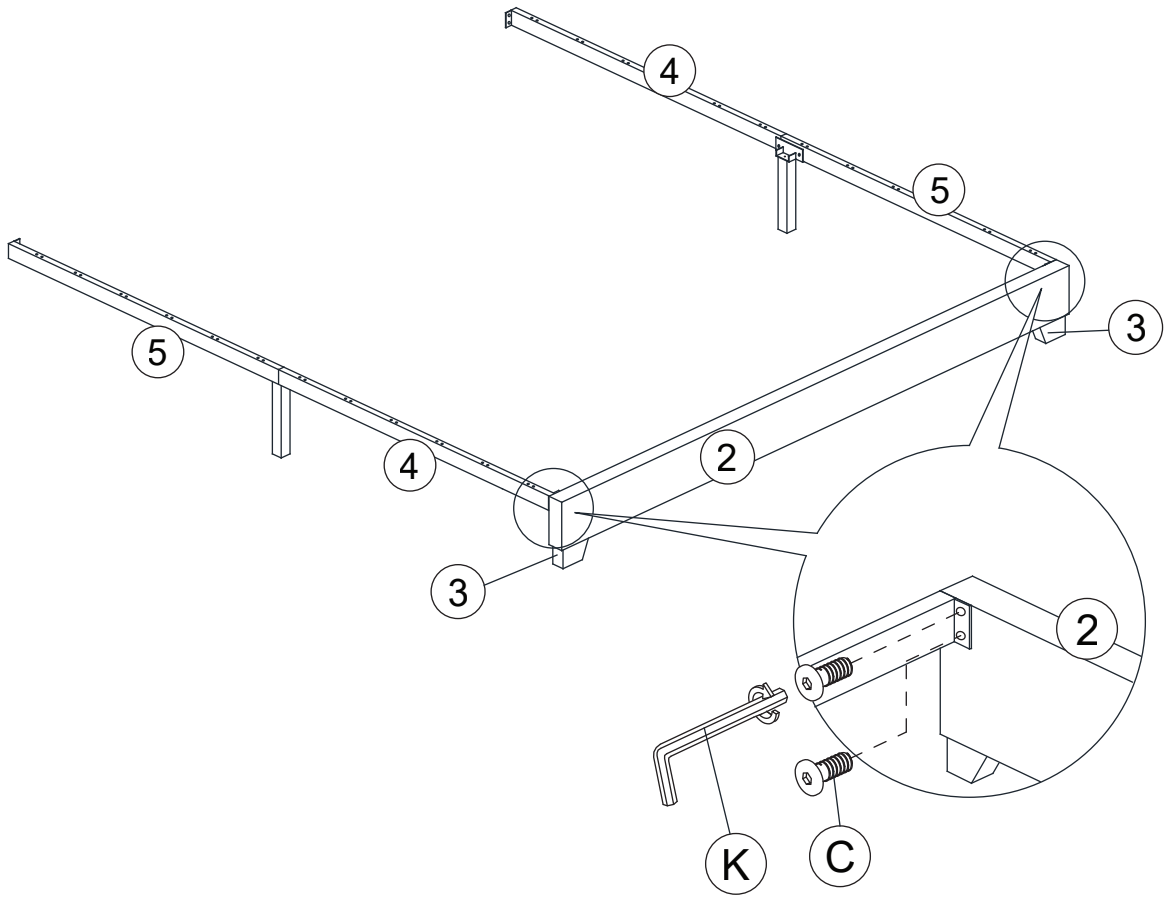


STEP 4

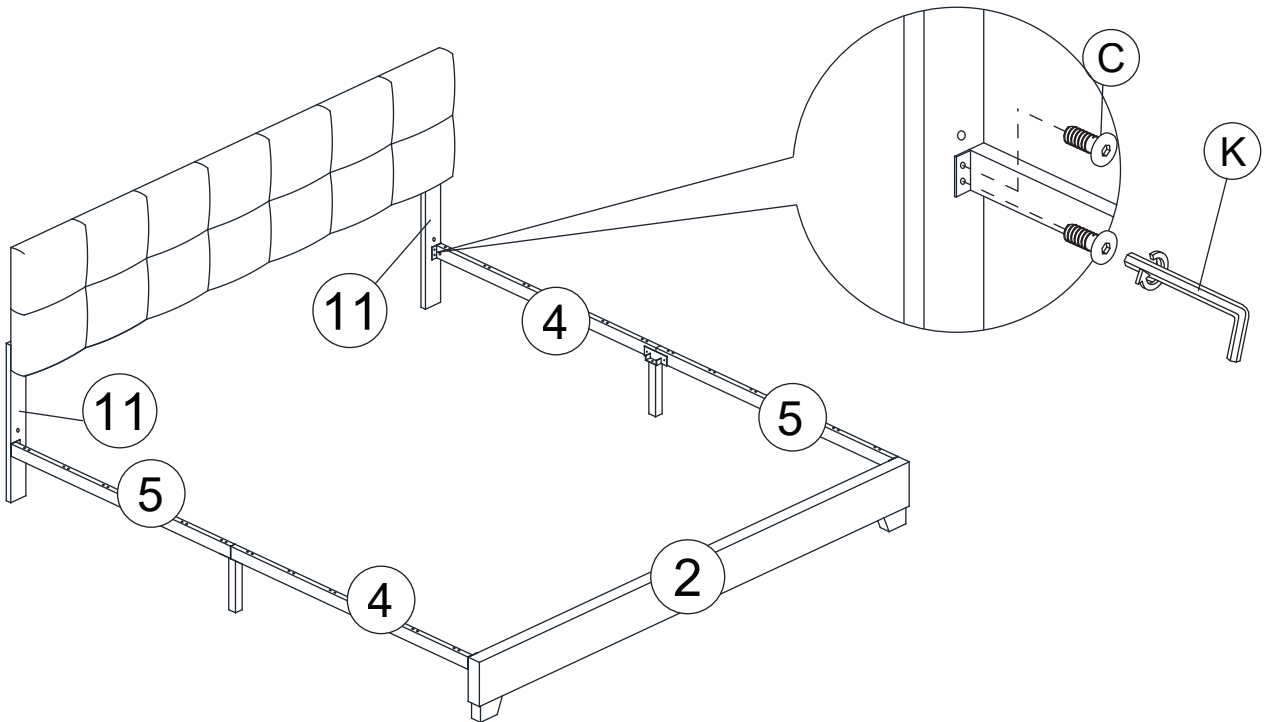
STEP 4.1



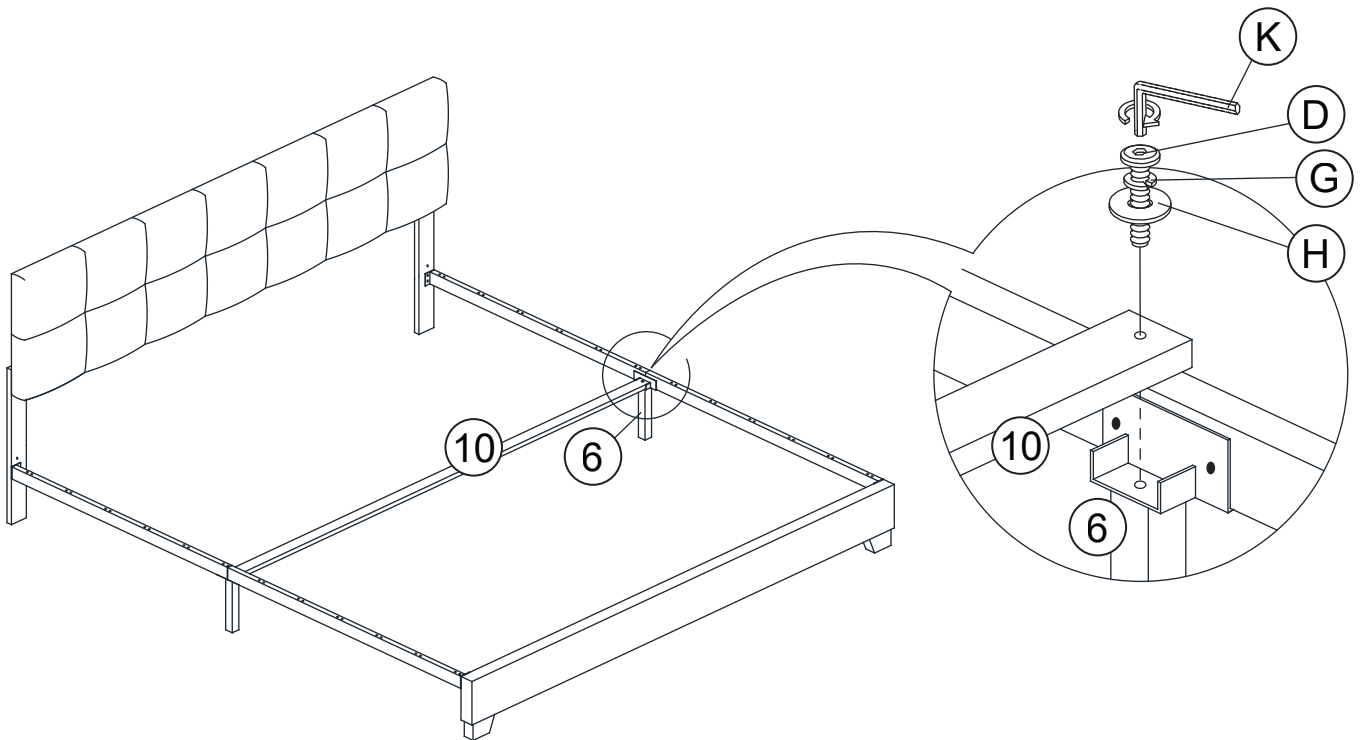
STEP 5



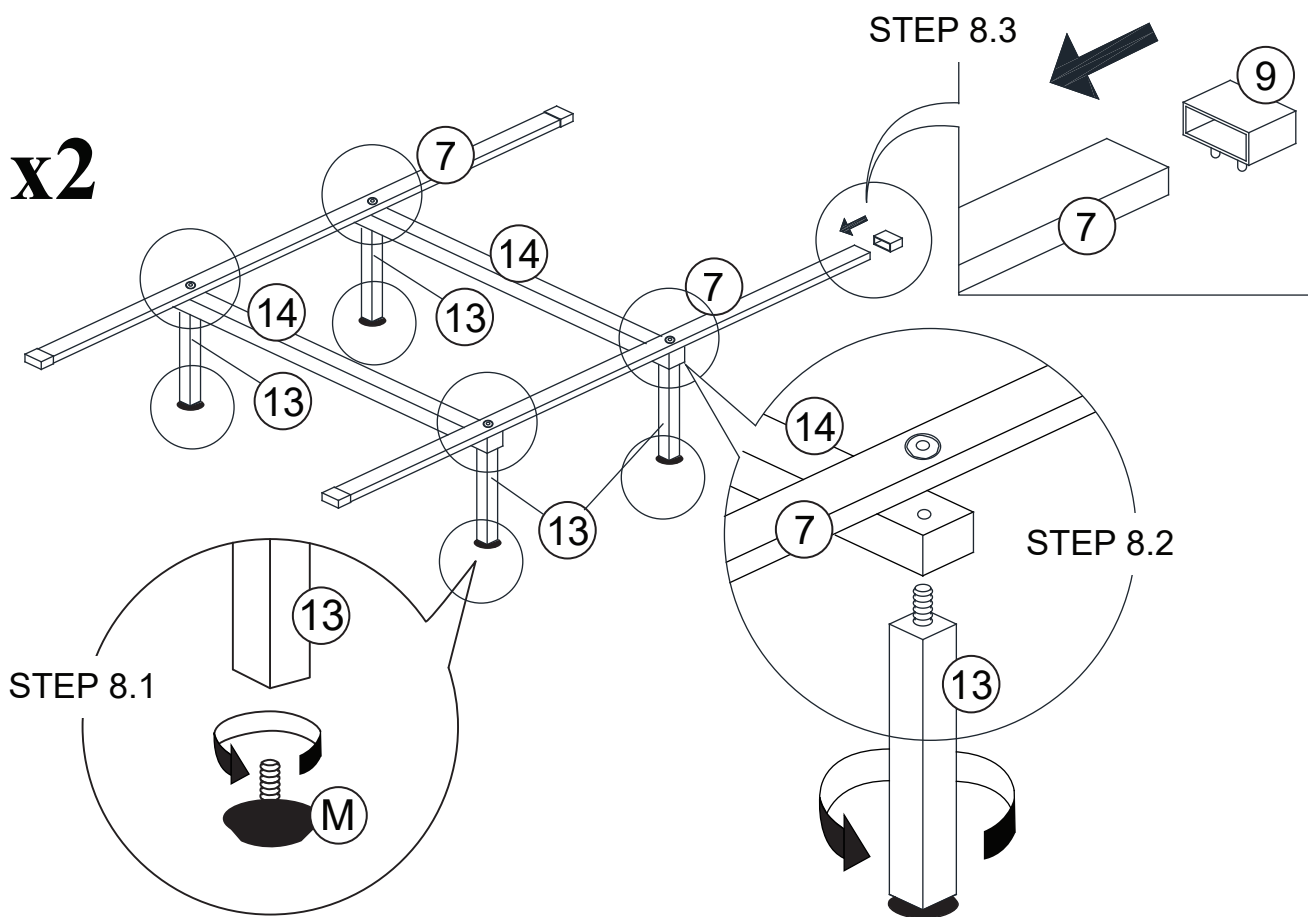
STEP 6



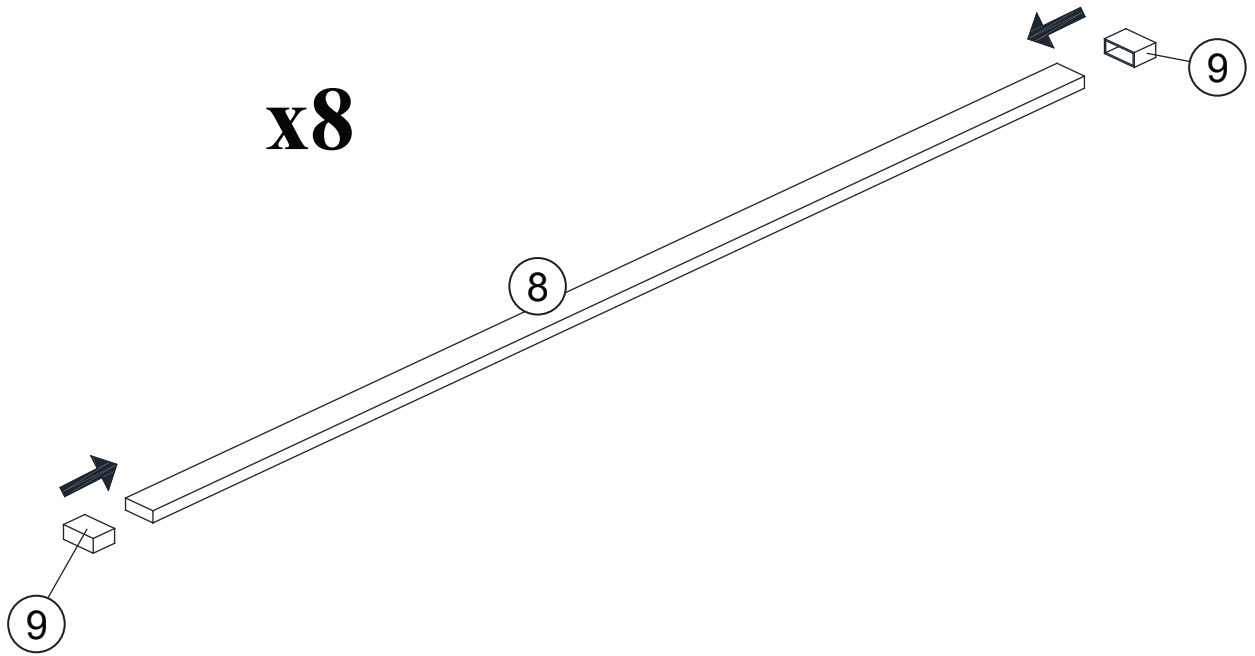
STEP 7



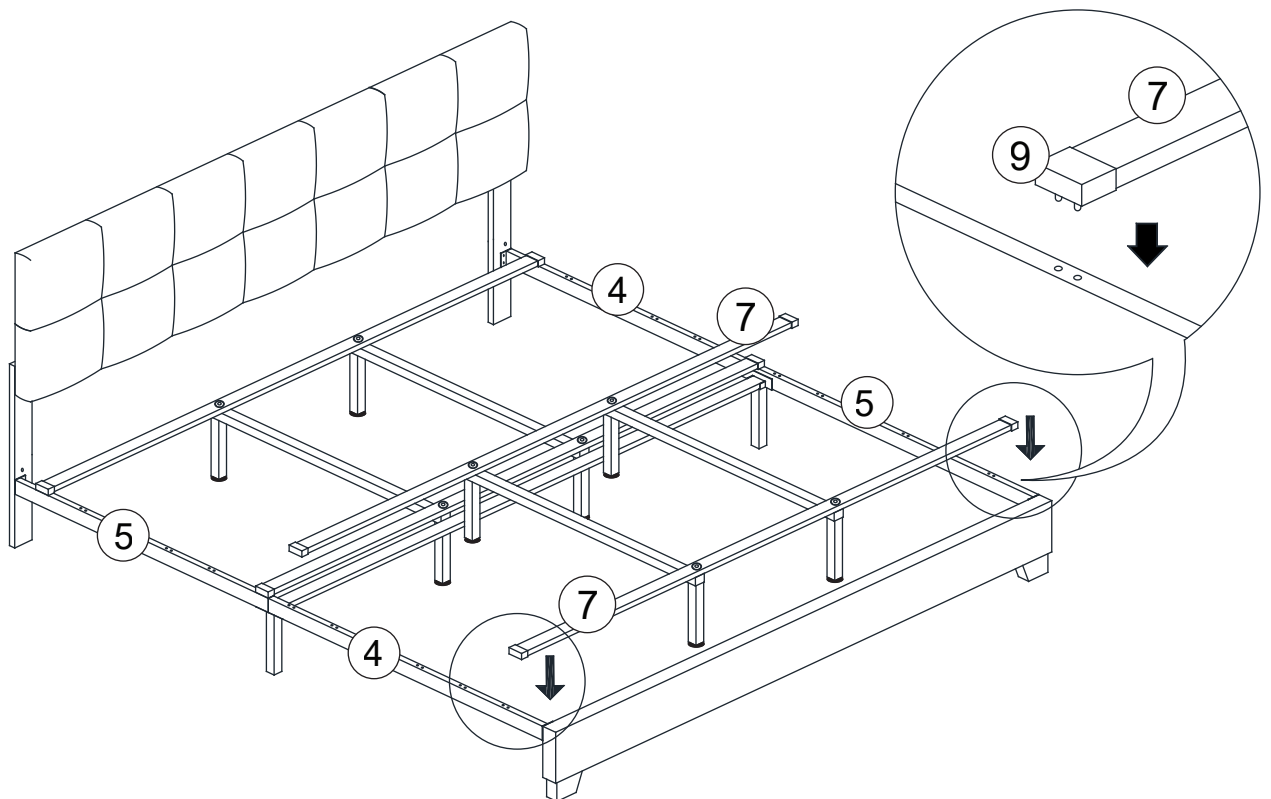
STEP 8



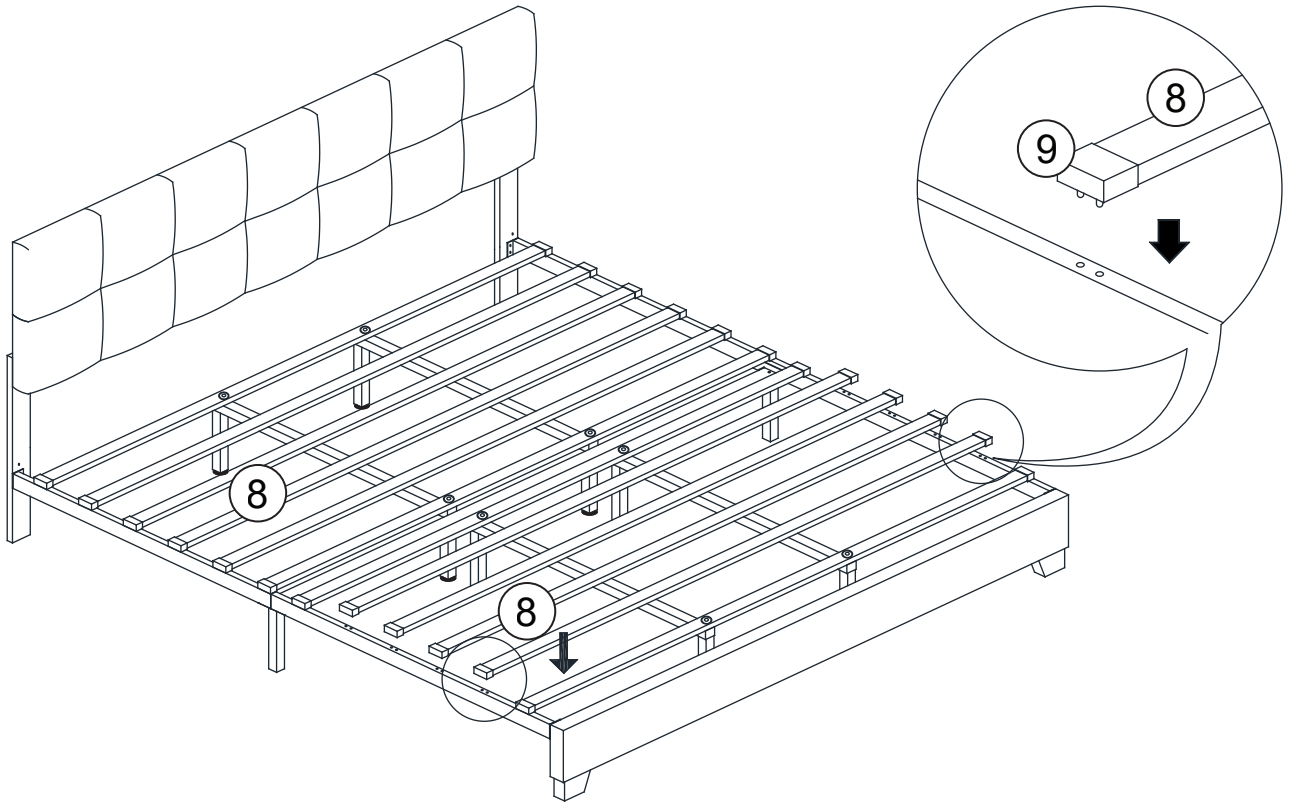
STEP 9



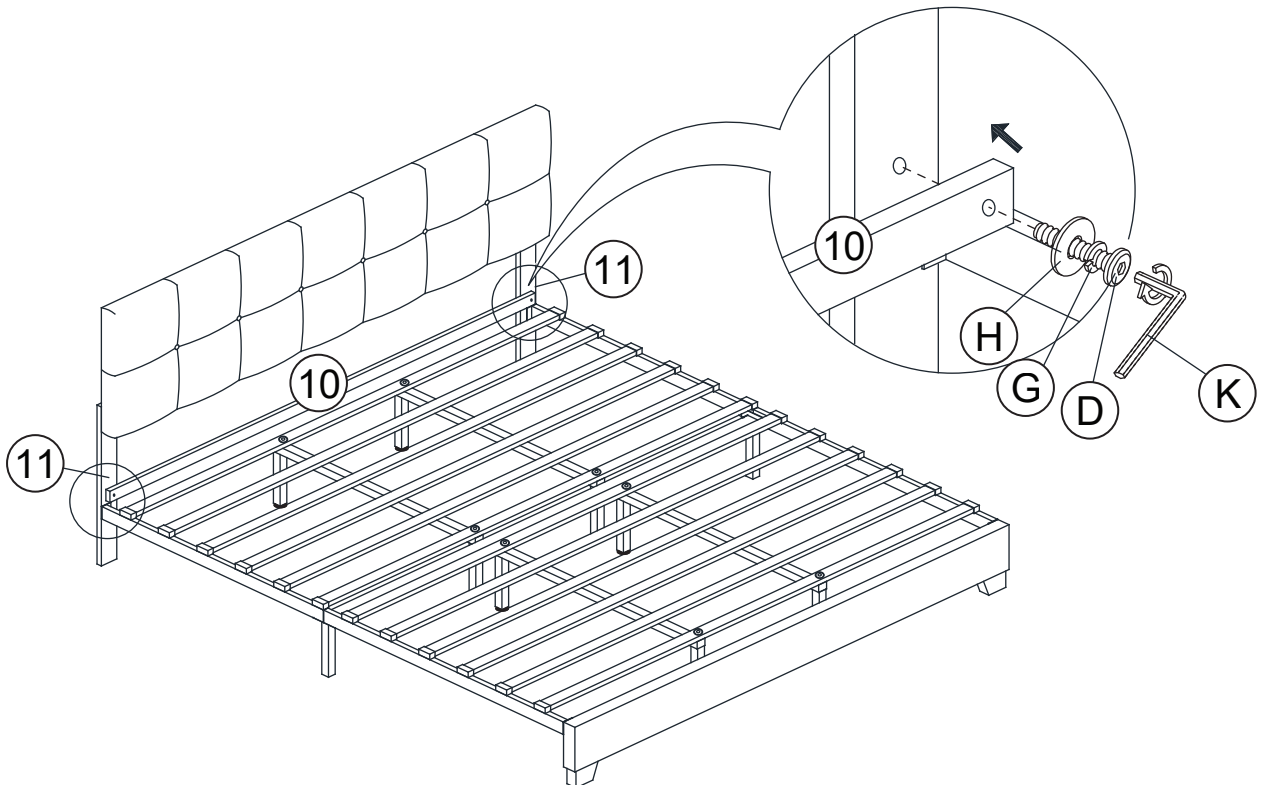
STEP 10



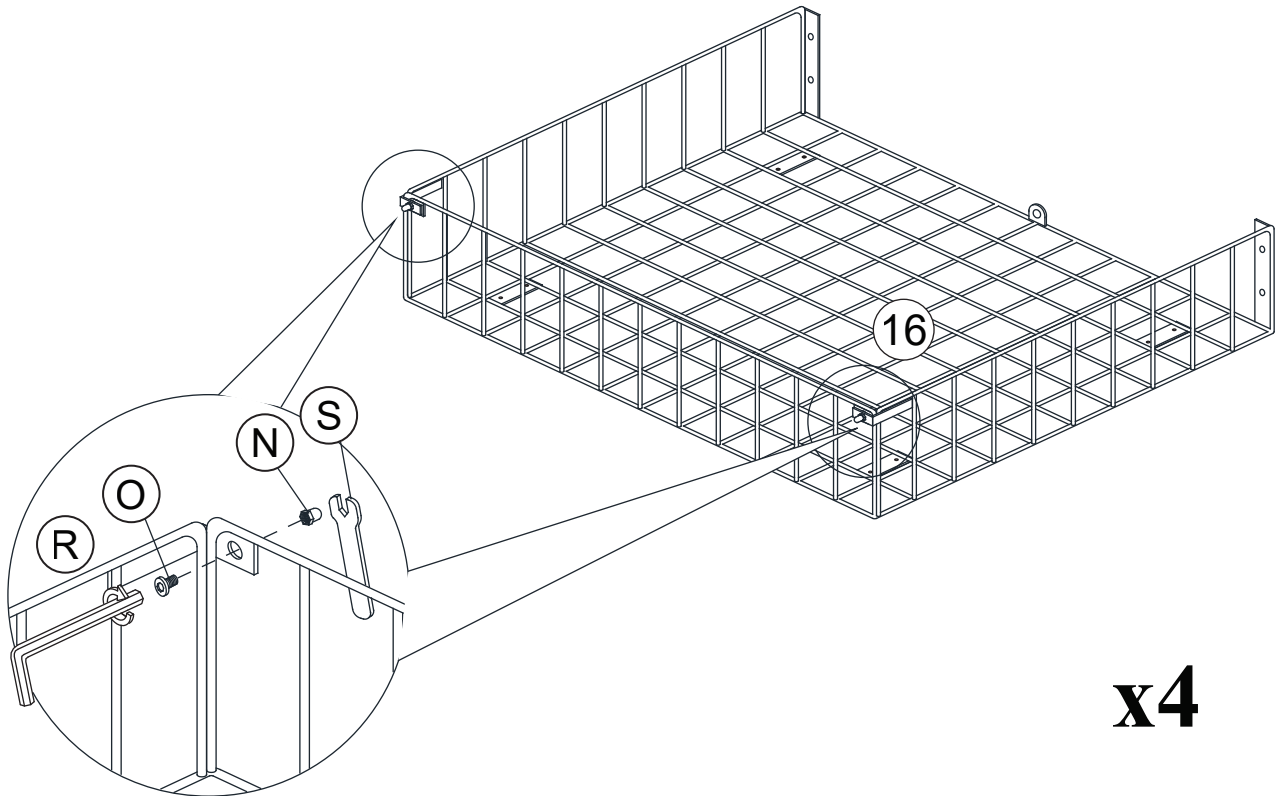
STEP 11



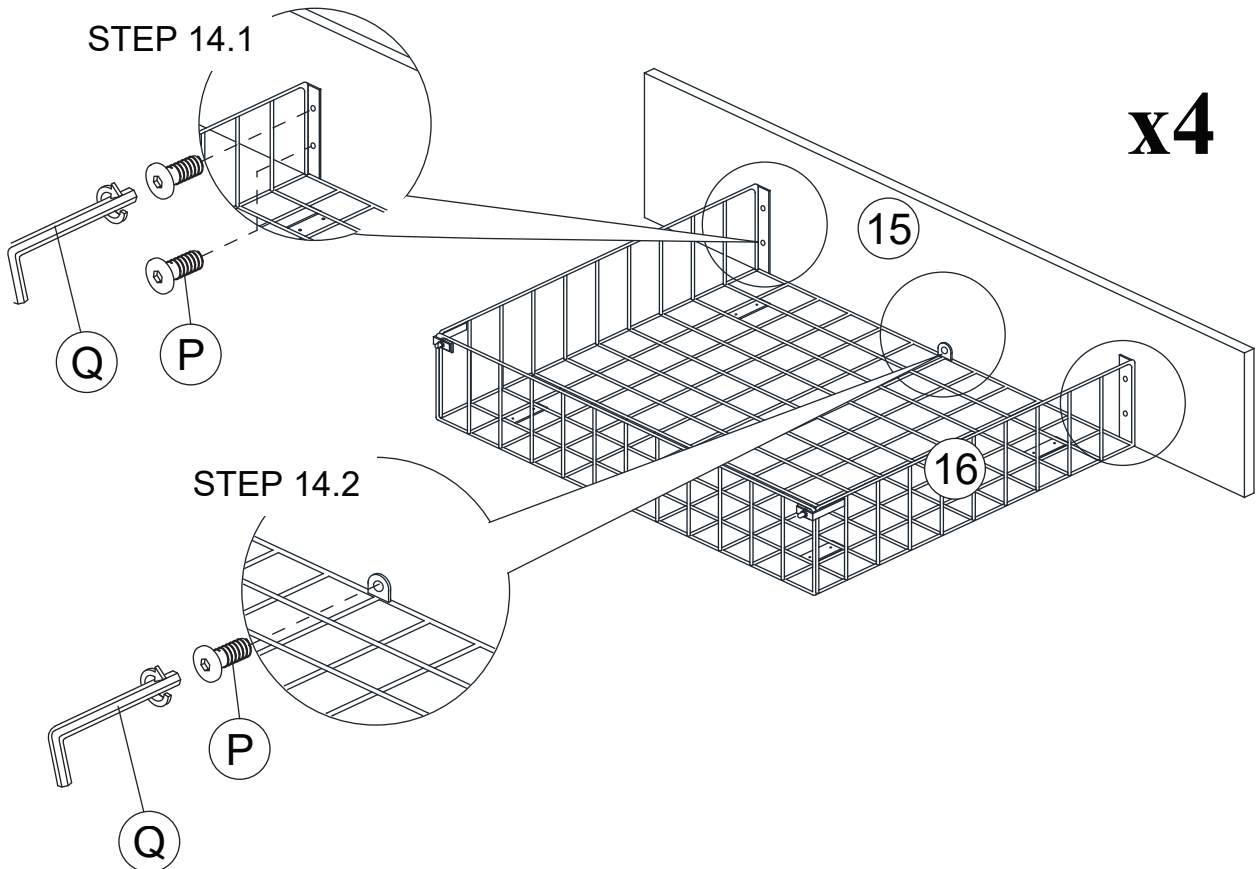
STEP 12



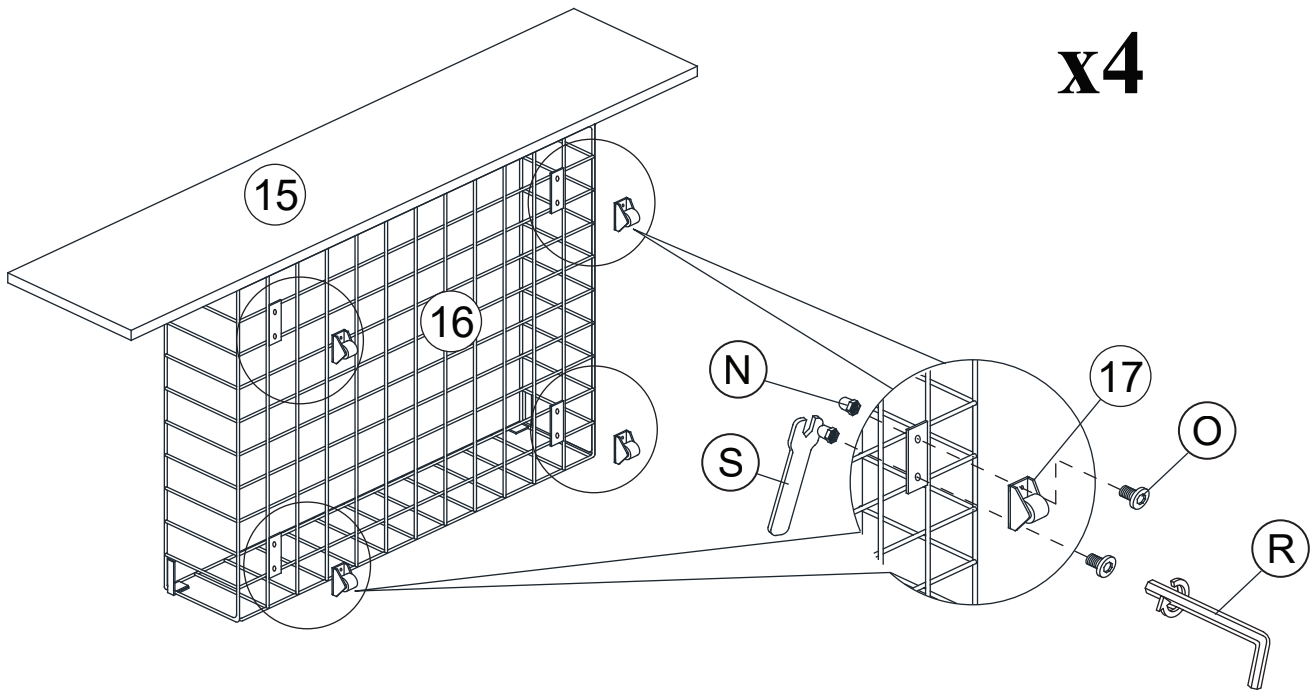
STEP 13



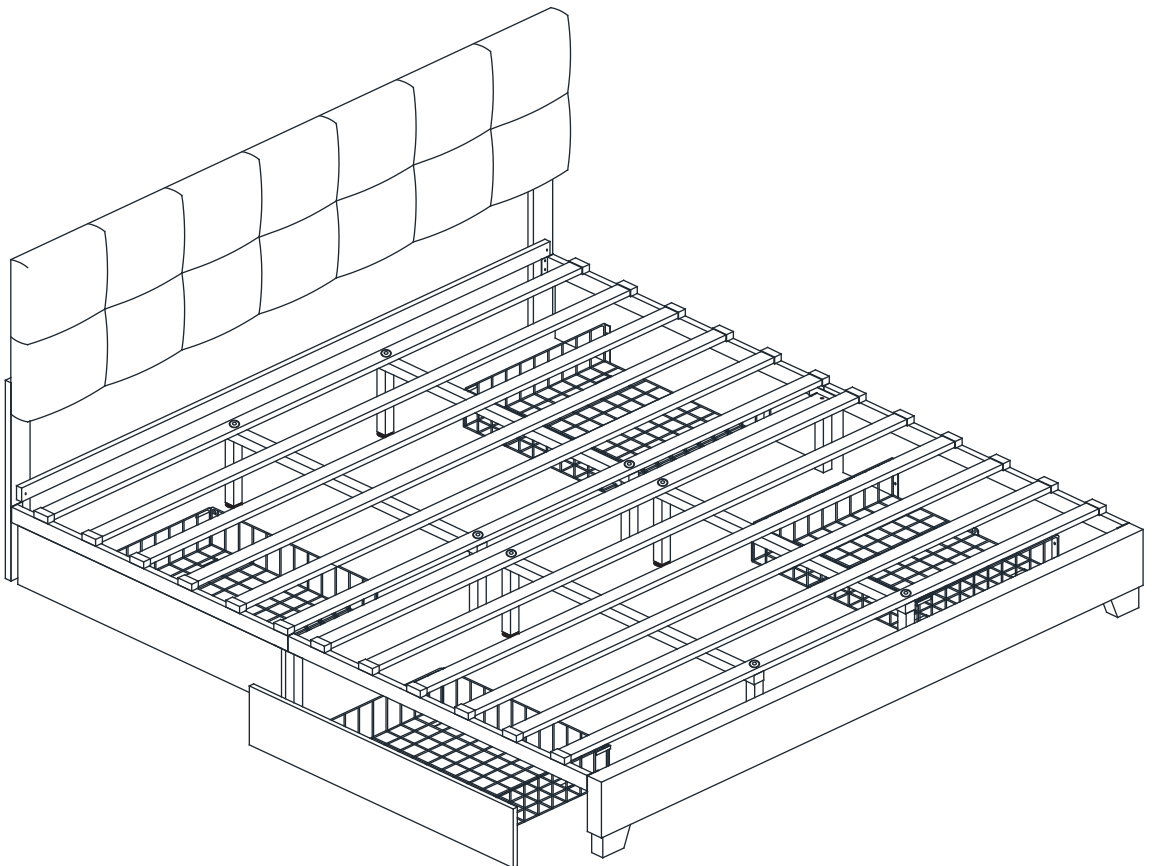
STEP 14



STEP 15



STEP 16



ASSEMBLY COMPLETED