
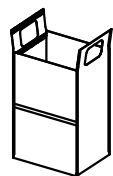
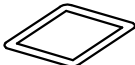
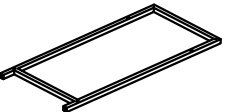
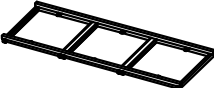
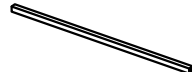
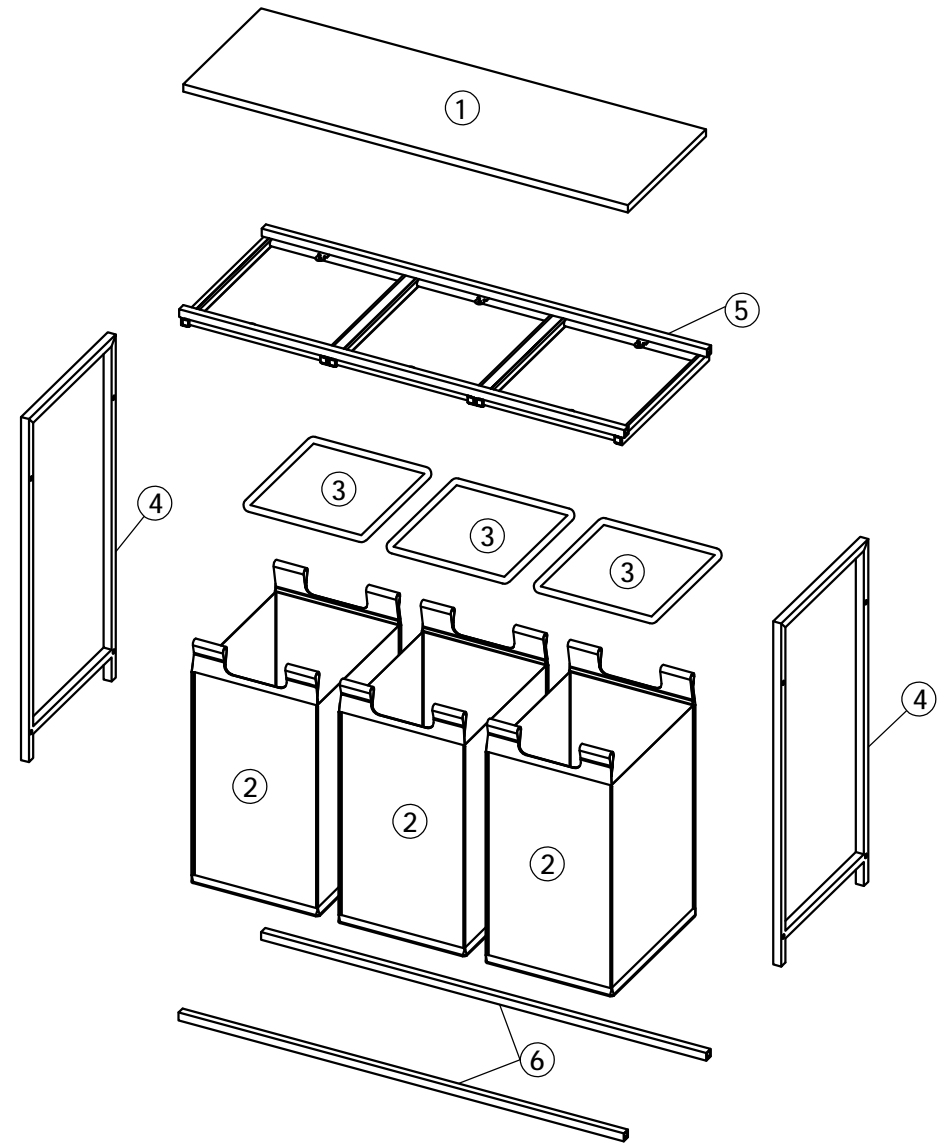
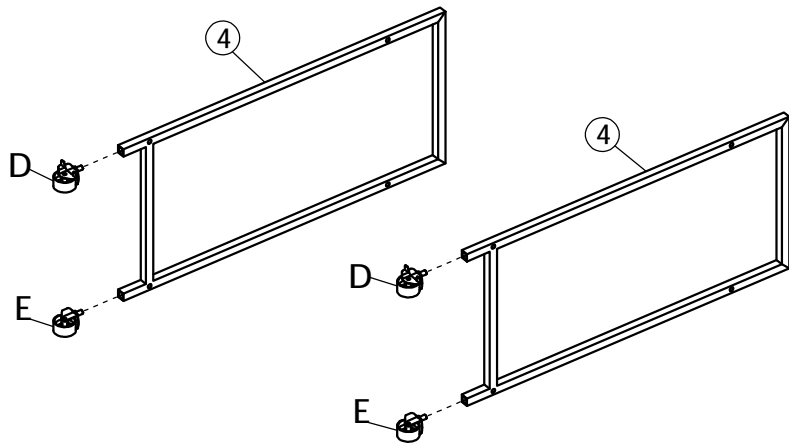





<p>① x1PC</p> 	<p>② x3PCS</p> 	<p>③ x3PCS</p> 
<p>④ x2PCS</p> 	<p>⑤ x1PC</p> 	<p>⑥ x2PCS</p> 



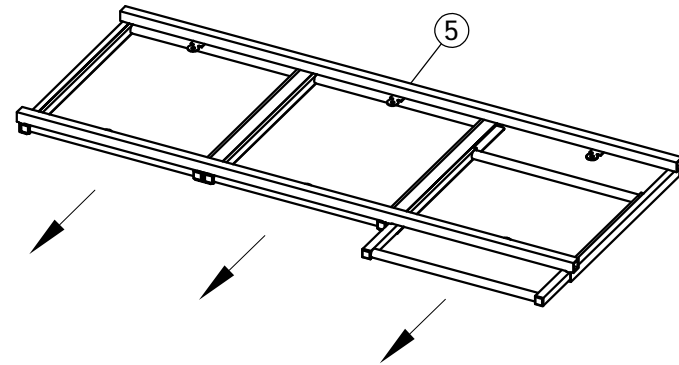
<p>A  M6x35 8+1</p>	<p>B  M4 1</p>	<p>C  M4x12 6+1</p>
<p>D  2</p>	<p>E  2</p>	<p>F  1</p>

1

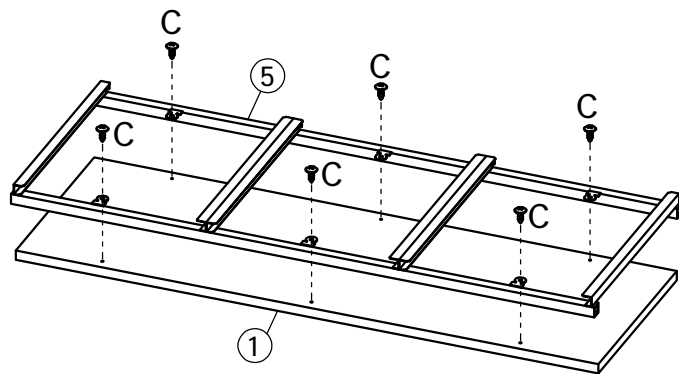



D		2
E		2
F		1

2

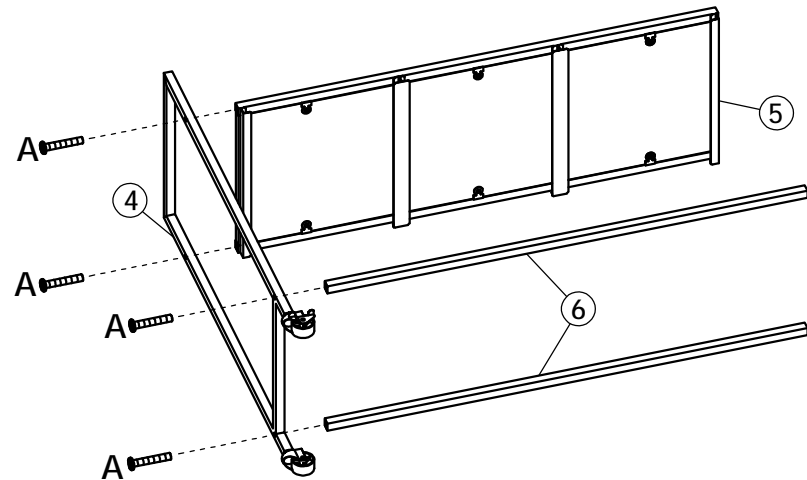



3



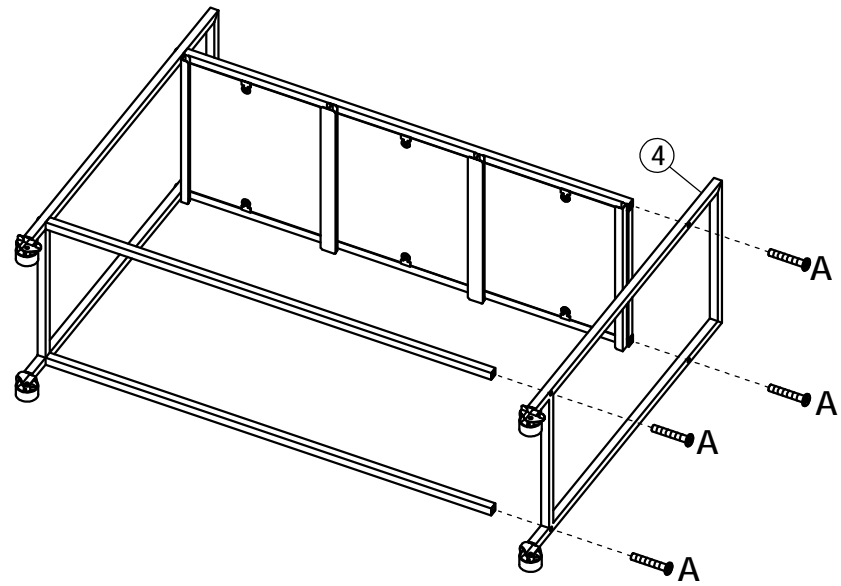
C		M4x12	6
---	---	-------	---

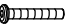

4



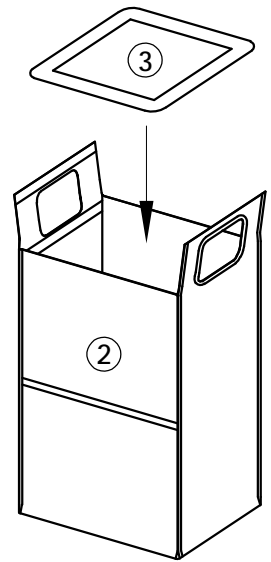
A		M6x35	4
B		M4	1

5



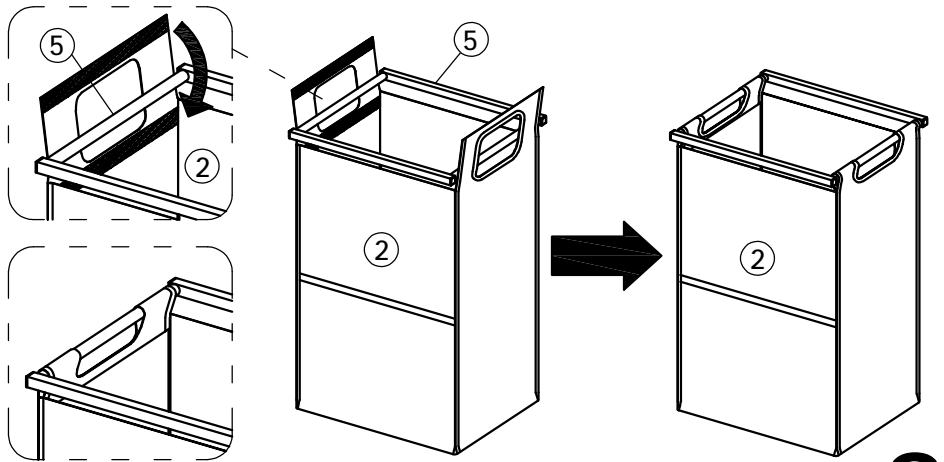
A	 M6x35	4
B	 M4	1

6



x3

7



x3

8

