
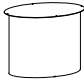



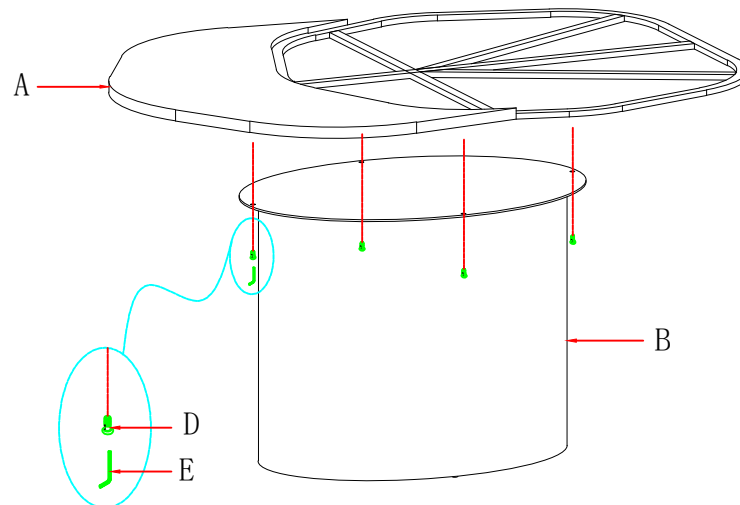
Assembly Instructions

DT0249

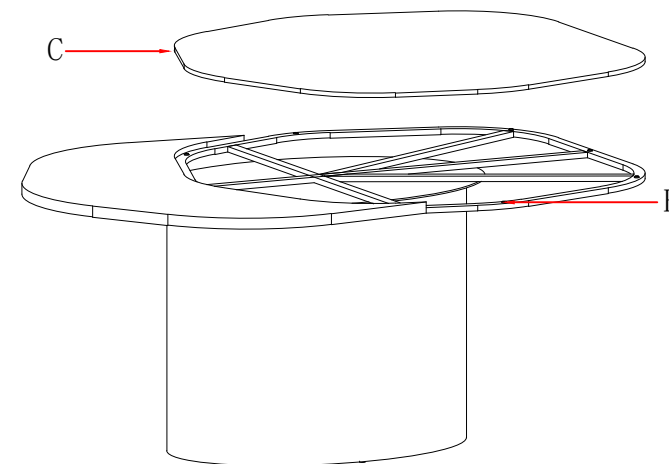
Parts

NO.	Picture	Description	QTY
A		Framework	1
B		Table base	1
C		glass	1

STEP:1






STEP:2



Attach the anti-slip pad to the frame before placing the glass.

Hardware

NO.	Picture	Description	Size	QTY
D		bolt	M8*15mm	5
E		Allen key	M8	1
F		Anti-slip mat	Ø12*3mm	9

