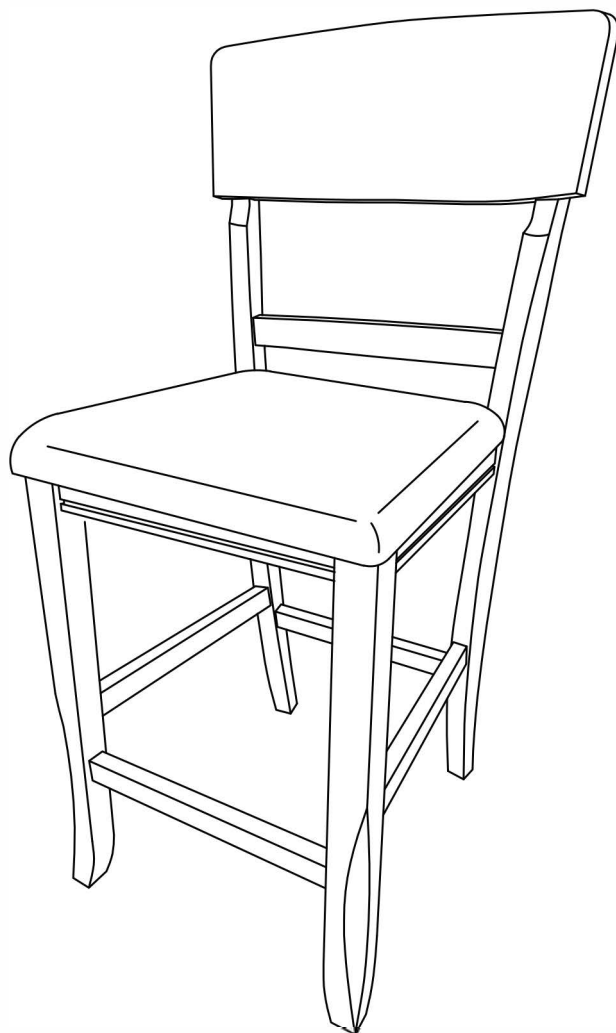


ASSEMBLY INSTRUCTIONS



TOOLS REQUIRED



Allen Wrench

(Included)



**Phillips
Screwdriver**

(Not Included)



**2 - People
Recommended**

ASSEMBLY RATING



EASY —————> DIFFICULT

The Assembly Rating is a 5-point system showing the level of effort needed to assemble a specific product.

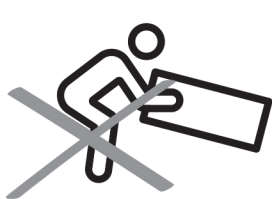


CHECK BEFORE STARTING

- Are you missing anything?**
Double-check all parts, hardware and accessories listed on Page 6 are accounted for.
 - Check out our Quick Tips!**
We recommend reviewing the pre-assembly handouts. Even experts need a refresher now and then!
 - Should we send any replacements?**
Are there any irregularities or flaws in the parts? We can send replacements!
 - Prep Time!**
Please review the assembly instructions and all diagrams prior to assembling. Arrange parts as recommended on Page 7 and group identical hardware together to make assembling easier.
-

PRE ASSEMBLY INTRODUCTION

We understand building ready-to-assemble furniture can be a challenging experience for some. To help avoid confusion, we have provided some helpful tips that may speed up the process.



Teamwork

ALWAYS have at least two people to help with transporting and assembling the product to avoid potential injury and/or damage.



Suitable Location

Assembling near the area of the intended location is highly recommended.



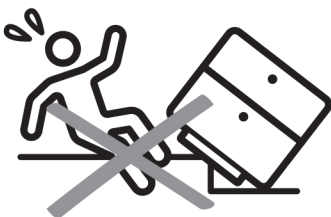
Sufficient Space

Make sure you have enough space to move around during the assembly.



Avoid Scratches

Use cardboard, blankets or a carpeted area while assembling furniture to prevent scratches.



Flat Surface

Make sure the furniture rests on a flat and level surface with each leg evenly touching the floor.

ASSEMBLY AND CARE ADVICE



FAILURE TO FOLLOW THE GUIDELINES BELOW MAY RESULT IN INJURY AND/OR PROPERTY DAMAGE.



Position each part correctly and insert screws or bolts into their respective holes.



Turn clockwise to tighten and only tighten when step is completed or when instructed to do so.



Use the appropriate hand tools or power tools for assembly. Select steps, such as tightening screws and/or bolts, may require hand tools to avoid causing damage during assembly.



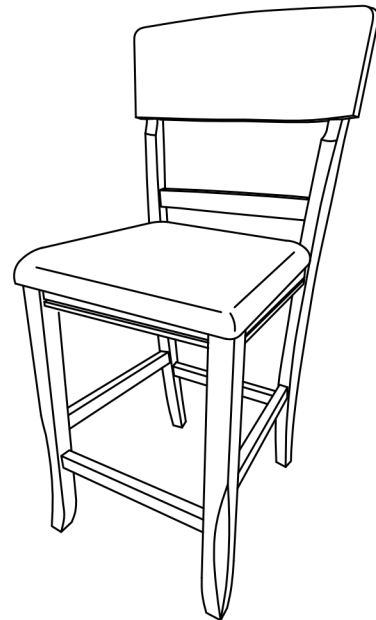
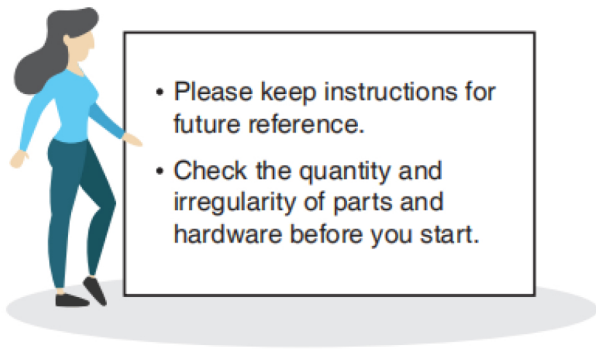
Save the instructions and store any supplied tools for later maintenance.



After two weeks, check and tighten any loose hardware and repeat again every six months thereafter.

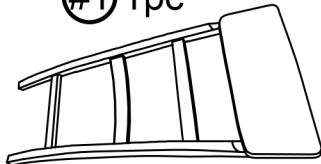
IT IS THE USER'S RESPONSIBILITY TO MAINTAIN THE FURNITURE. THE HARDWARE MAY LOOSEN OVER TIME AND MAY CAUSE THE FURNITURE TO BE WOBBLY AND UNABLE TO SUPPORT ITS INTENDED WEIGHT CAPACITY. THIS MAY LEAD TO COLLAPSE AND MAY CAUSE SERIOUS INJURY.

COUNTER HEIGHT CHAIR



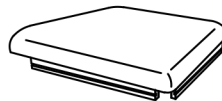
PARTS

#1 1pc



Chair Frame Back

#2 1pc



Box Seat

#3 2pcs



Front Leg (Left & Right)

#4 2pcs



Side Stretcher
(Left & Right)

#5 1pc



Front Stretcher

HARDWARE

#A 4pcs



JCBC SCREW
M6 x 80MM

#B 4pcs



JCBC SCREW
M6 x 60MM

#C 2pcs



JCBC SCREW
M6 x 35MM

#D 10pcs



Lock Washer
1/4"

#E 10pcs



Flat Washer
1/4"

#F 1pc



Allen Key
M4

#G 6pcs

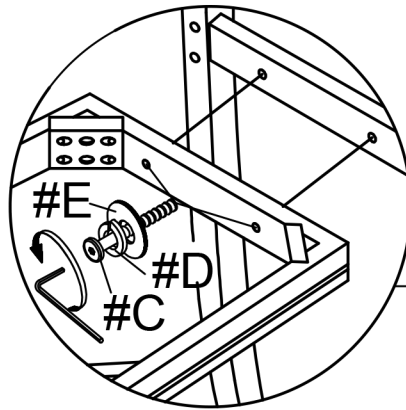


Csk Screw
M4 x 32mm

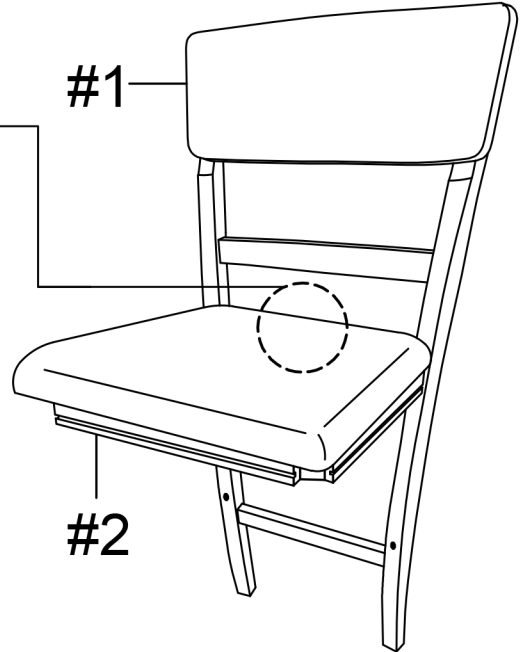
ASSEMBLY INSTRUCTIONS

1

- Part #1 x1pc
- Part #2 x1pc
- Hardware #C x2pcs
- Hardware #D x2pcs
- Hardware #E x2pcs

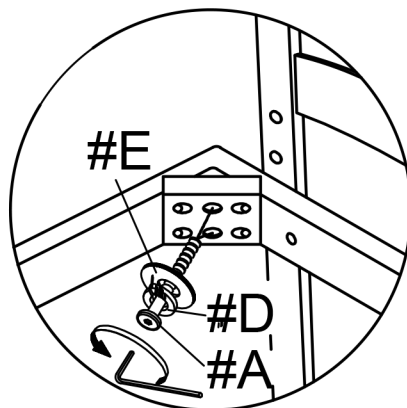


Align seat (#2) to the chair back (#1), then secure by using bolts (#C) with washers (#D,E).

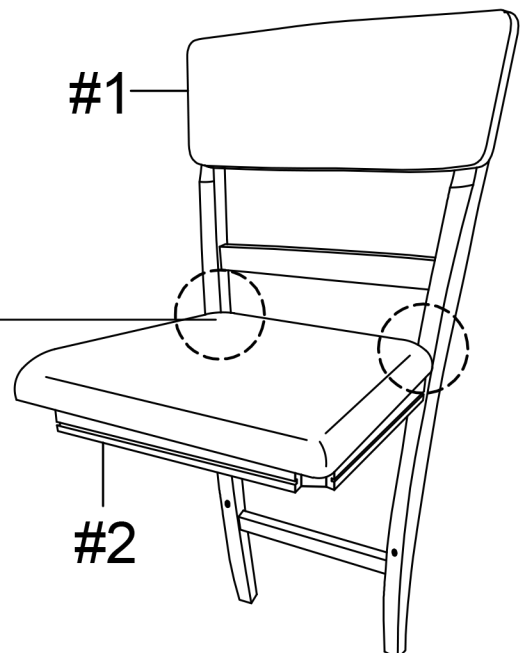


2

- Hardware #A x4pcs
- Hardware #D x4pcs
- Hardware #E x4pcs



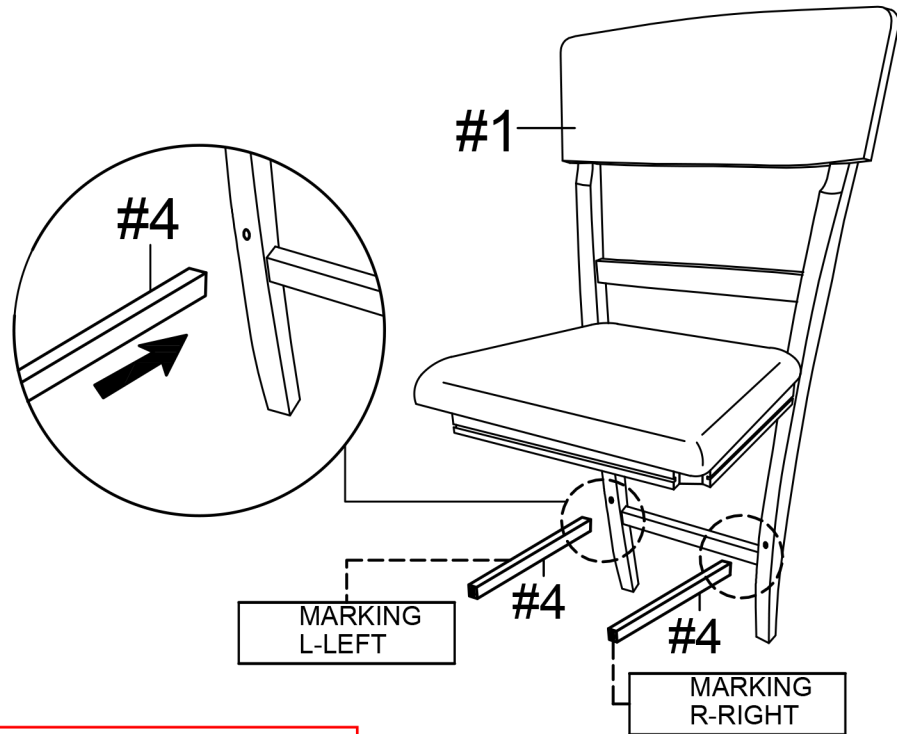
Secure corner holes of the seat (#2) to chair back (#1) by using bolts (#A) with washers (#D,E).



ASSEMBLY INSTRUCTIONS

3

Part #4 x2pcs



Align stretchers (#4R/L) to the holes of the chair back (#1).

4

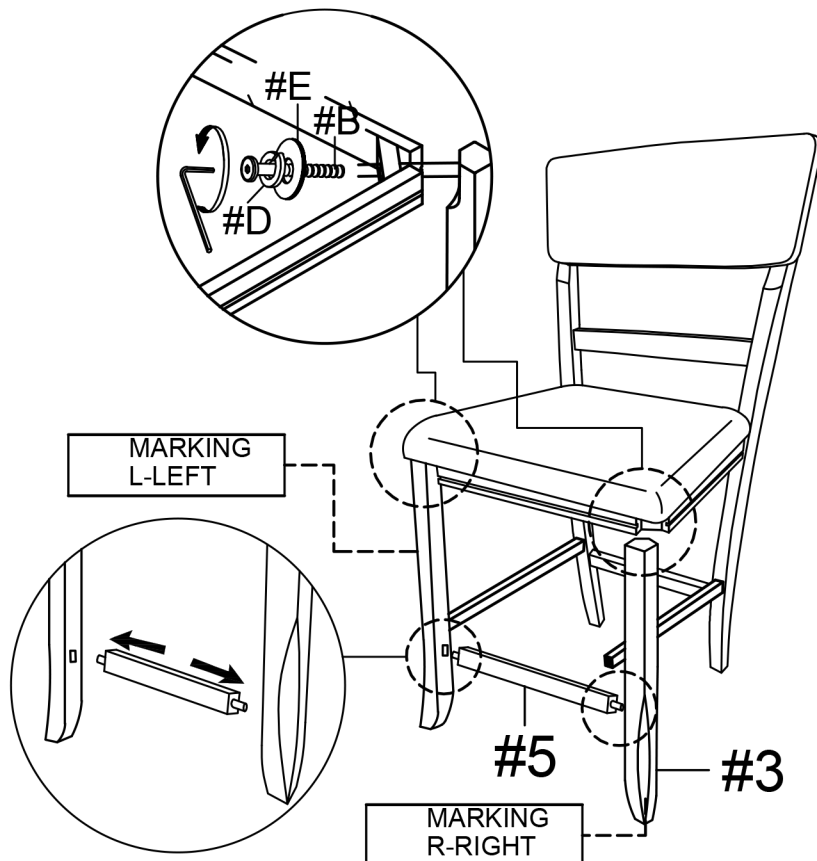
Part #3 x2pcs

Part #5 x1pc

Hardware #B x4pcs

Hardware #D x4pcs

Hardware #E x4pcs

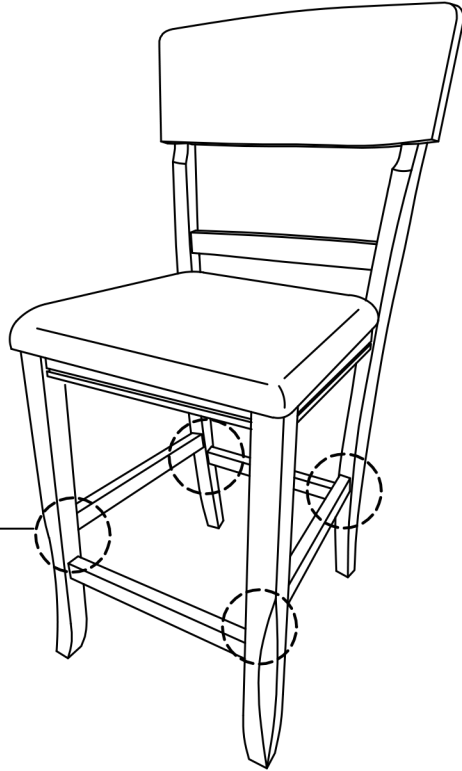
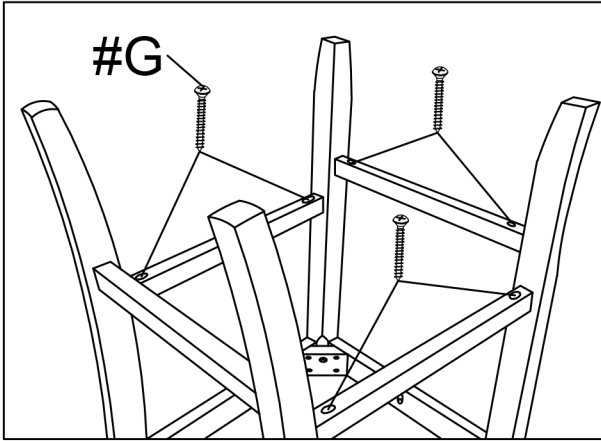


Align front legs (#3R/L) with stretcher (#5) to the seat and side stretchers, then secure by using bolts (#B) with washer (#D,E).

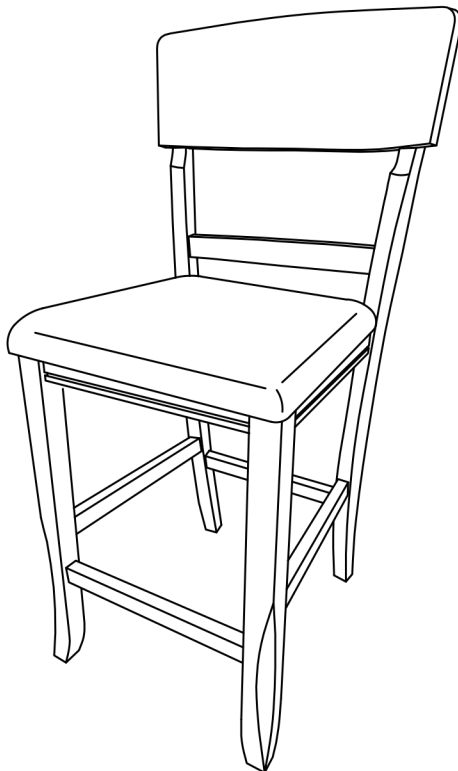
ASSEMBLY INSTRUCTIONS

5 Hardware $\text{\textcircled{G}}$ x 6 pcs

Secure stretchers by using screws (#G).



6



ASSEMBLY COMPLETED



Please ensure the furniture rests on an even and flat surface. If the product wobbles or feels loose, double-check all bolts and/or screws are properly tightened and secured.



Keep this handy!

Please retain this instruction manual and any order-related information for future reference.



Lift, don't drag!

To avoid damage to product please always LIFT the product when transporting or adjusting the placement.