

CLOTHES CABINET

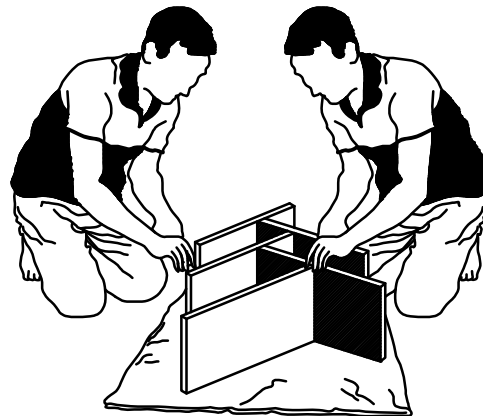
User Manual

CATALOG:

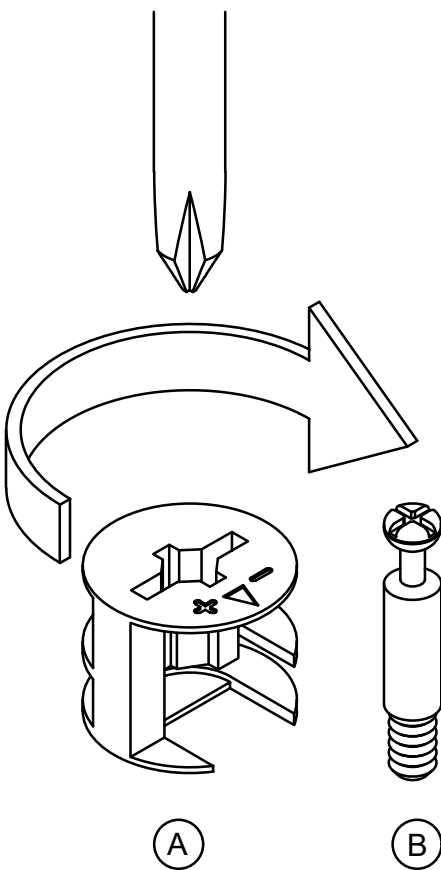
Part List.....4.
AccessoriesList.....5.
Assemble.....7-27.

Foreword:

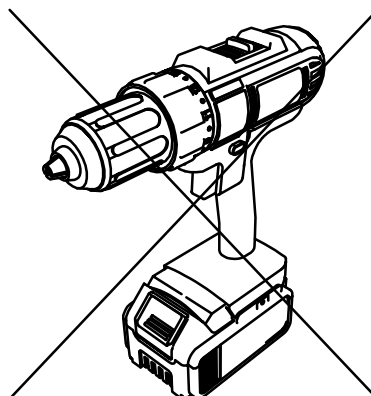
Thank you for choosing our product! We hope you have a good shopping experience!
We aim to provide a 100% satisfaction product and customer service.



Requires 2 people to assemble
the product more easily



Only slight turn of cams
required.
Do **NOT** overturn.

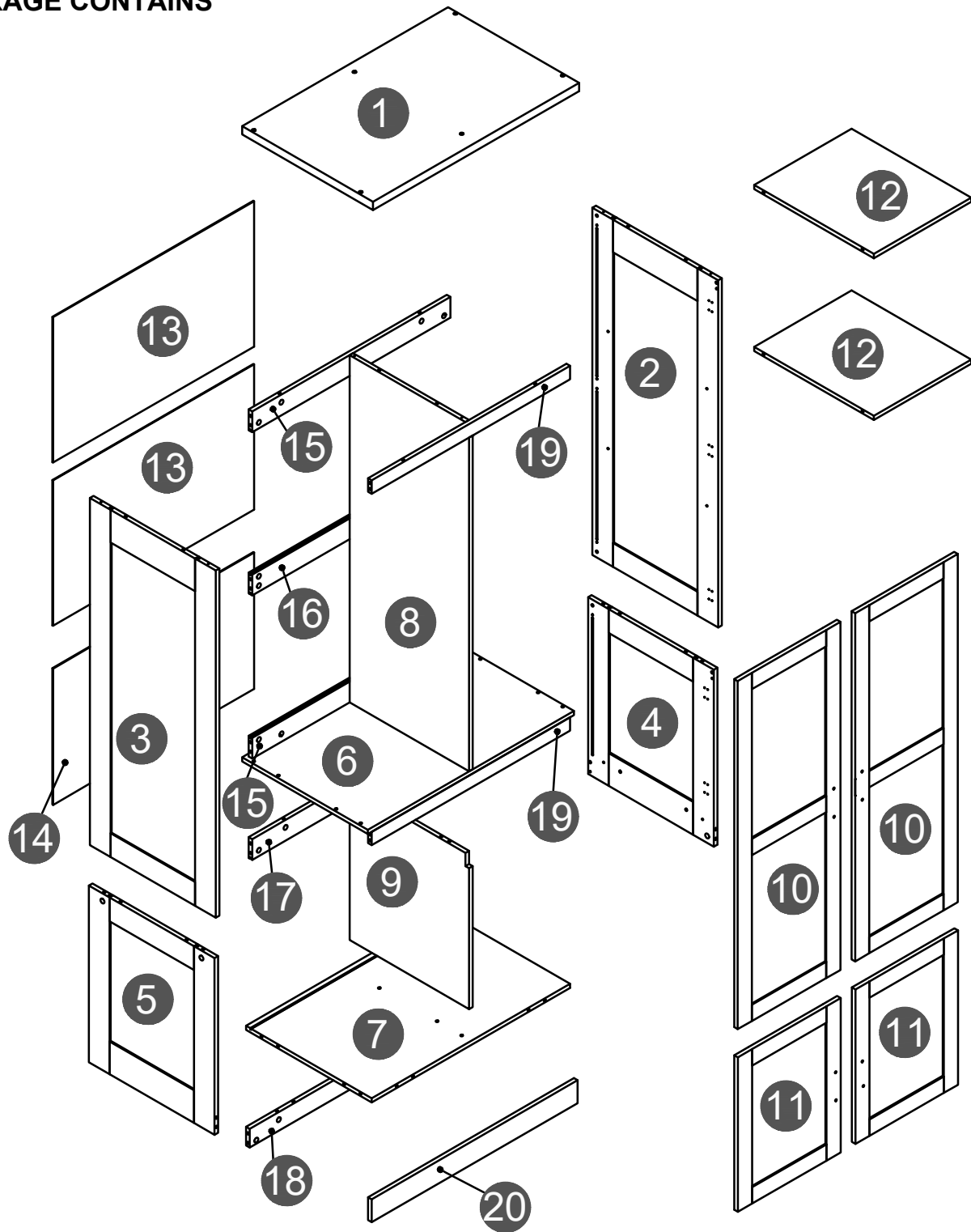


*Power Tool **NOT**
Recommended for **A-B**
hardware assembly



TOOL REQUIRED
Phillips Screwdriver

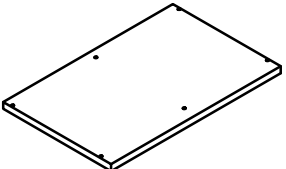
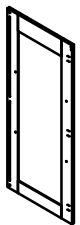
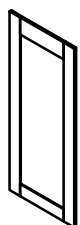
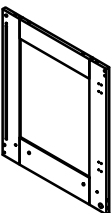
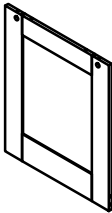
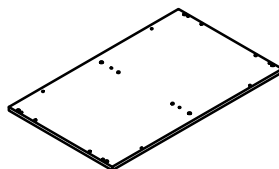
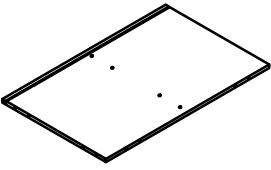
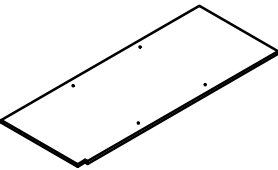
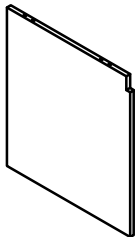
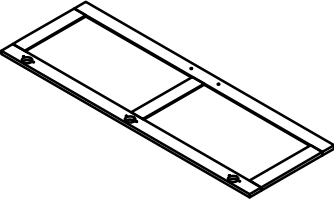
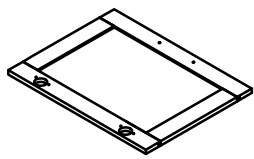
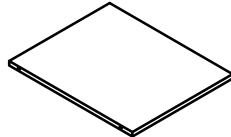
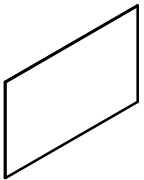
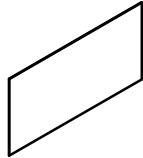
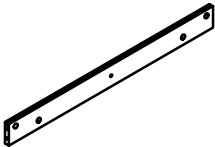
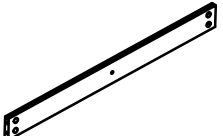
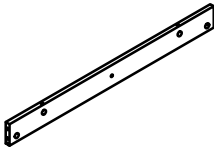
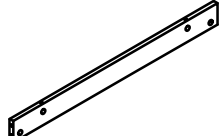
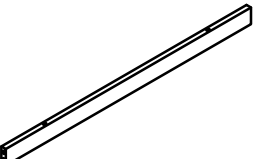
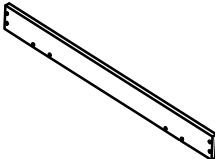
PACKAGE CONTAINS



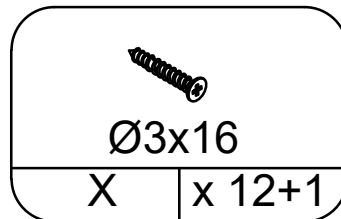
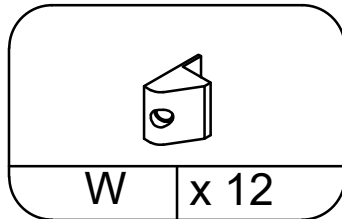
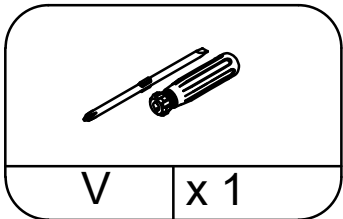
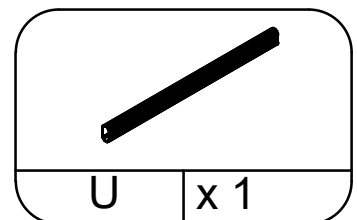
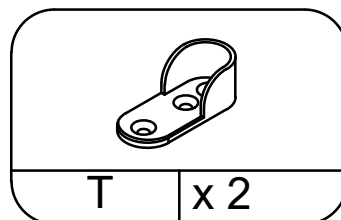
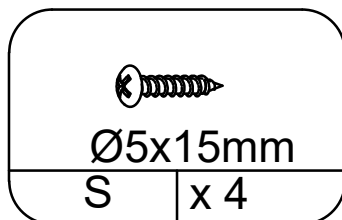
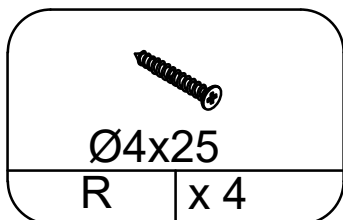
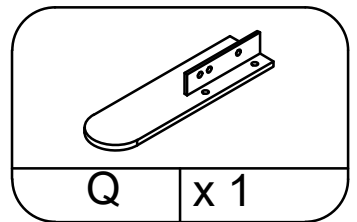
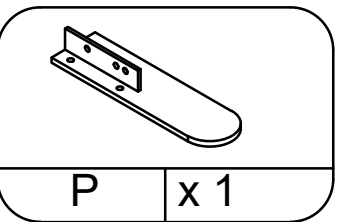
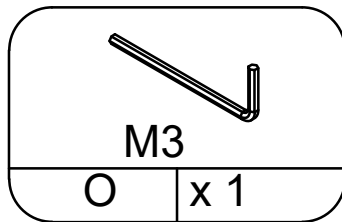
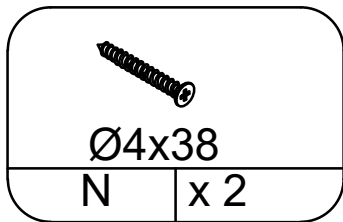
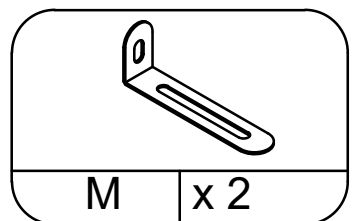
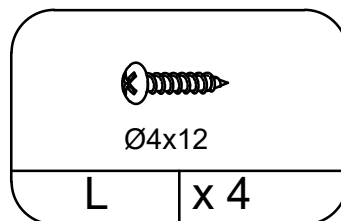
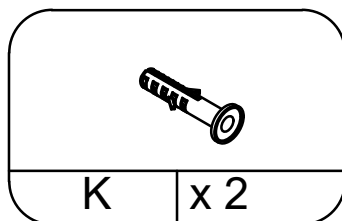
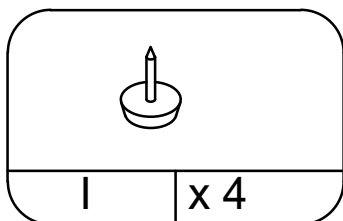
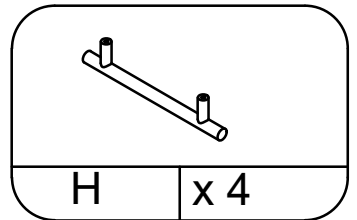
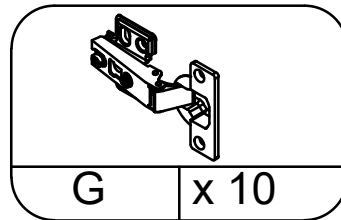
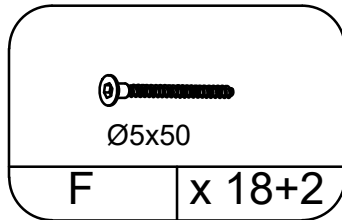
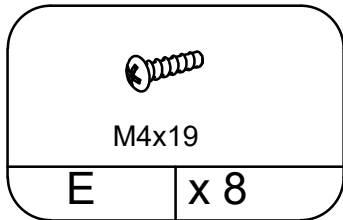
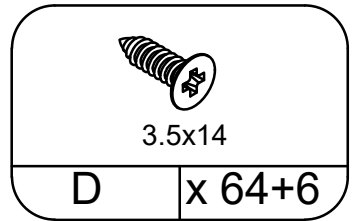
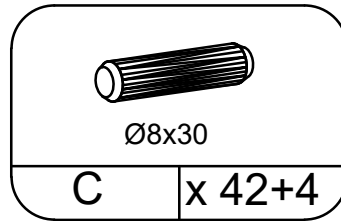
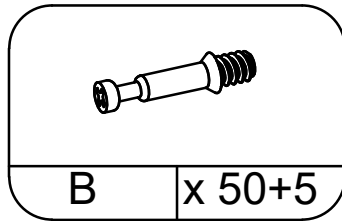
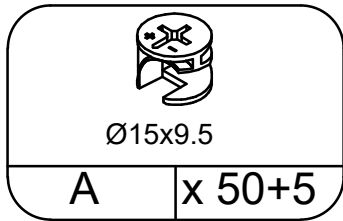
TIPS

1. When installing the product, use a soft surface (such as carpet or cardboard) to avoid scratching or damaging the surface of the product.
2. Please try to use a manual screwdriver instead of electric screw driver. A manual screwdriver can be used to better control the tightness of the screws.
3. Do not use any glue.
4. The product is unstable before it is assembled. Please pay attention to the product installation sequence, and align all screws and screw holes before tightening.
5. The structure of this product can not meet the requirements of children climbing.

PARTS LIST (Unit: mm)

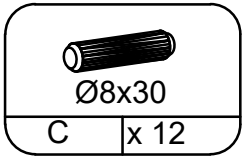
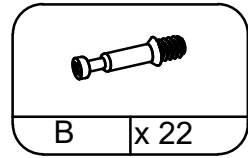
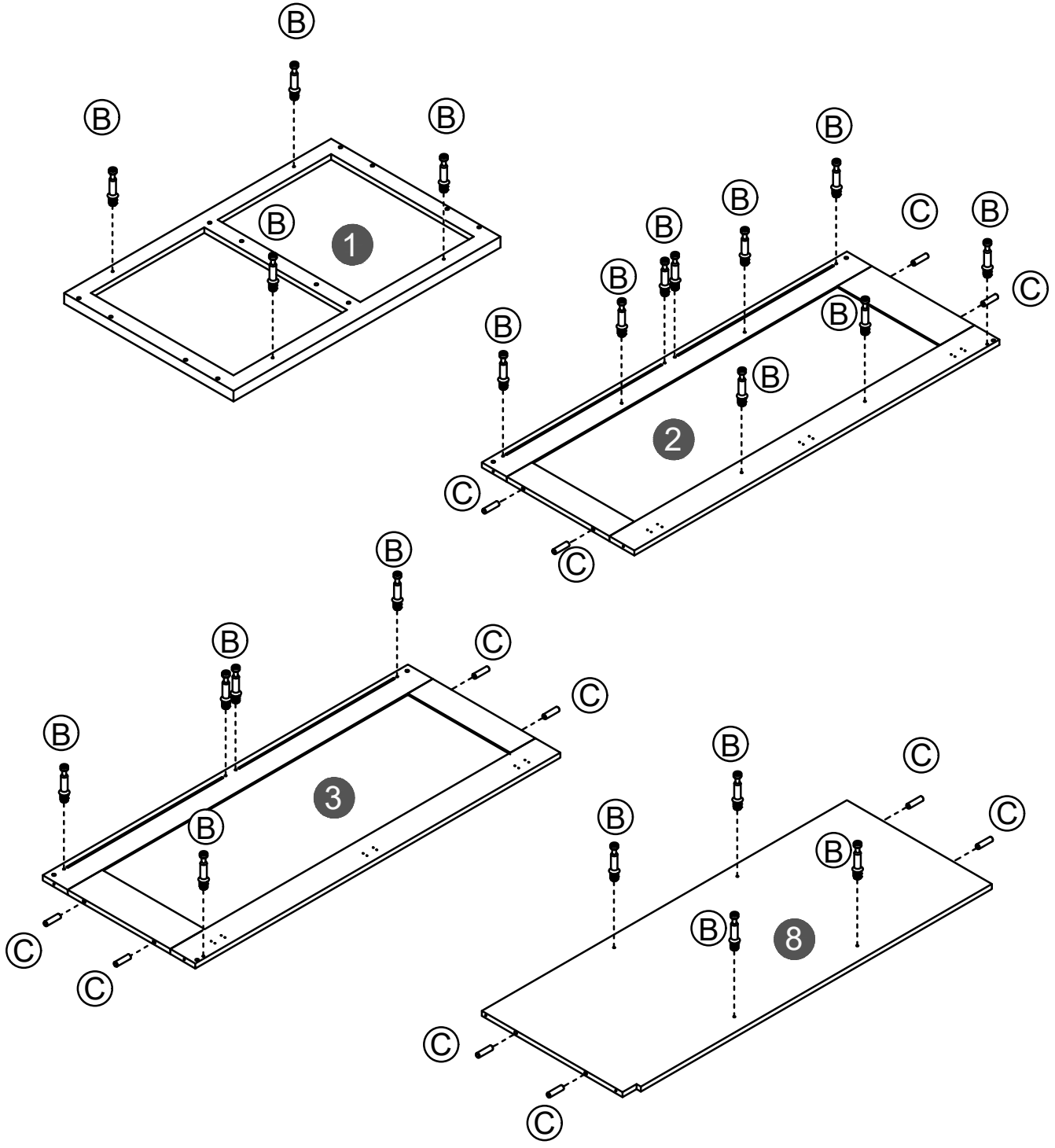
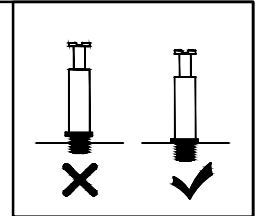
<p>1</p>  <p>1PC</p>	<p>2</p>  <p>1PC</p>	<p>3</p>  <p>1PC</p>
<p>4</p>  <p>1PC</p>	<p>5</p>  <p>1PC</p>	<p>6</p>  <p>1PC</p>
<p>7</p>  <p>1PC</p>	<p>8</p>  <p>1PC</p>	<p>9</p>  <p>1PC</p>
<p>10</p>  <p>2PCS</p>	<p>11</p>  <p>2PCS</p>	<p>12</p>  <p>2PCS</p>
<p>13</p>  <p>2PCS</p>	<p>14</p>  <p>1PC</p>	<p>15</p>  <p>2PCS</p>
<p>16</p>  <p>1PC</p>	<p>17</p>  <p>1PC</p>	<p>18</p>  <p>1PC</p>
<p>19</p>  <p>2PCS</p>	<p>20</p>  <p>1PC</p>	

ACCESSORIES LIST (Unit: mm)



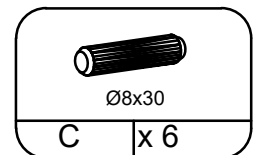
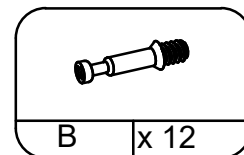
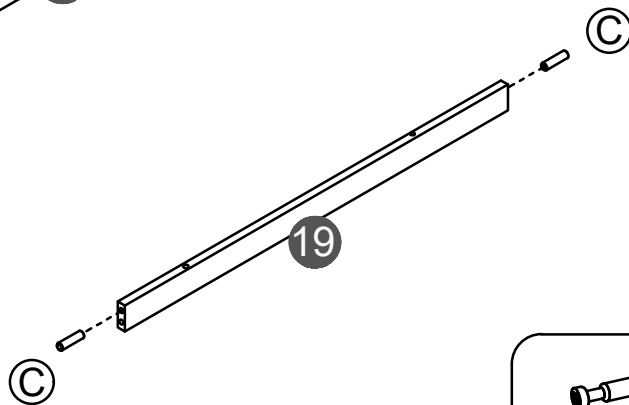
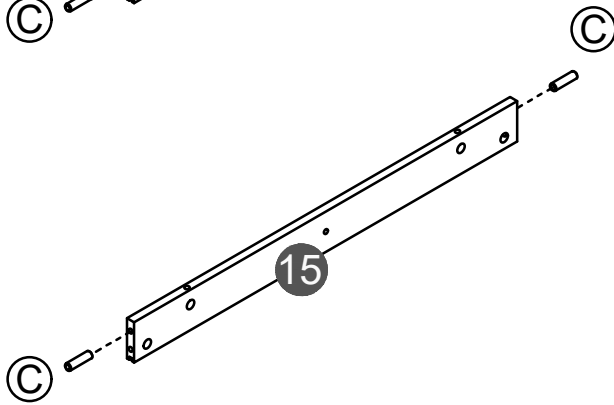
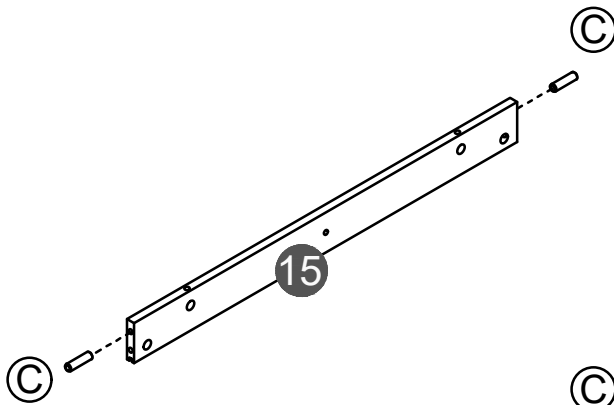
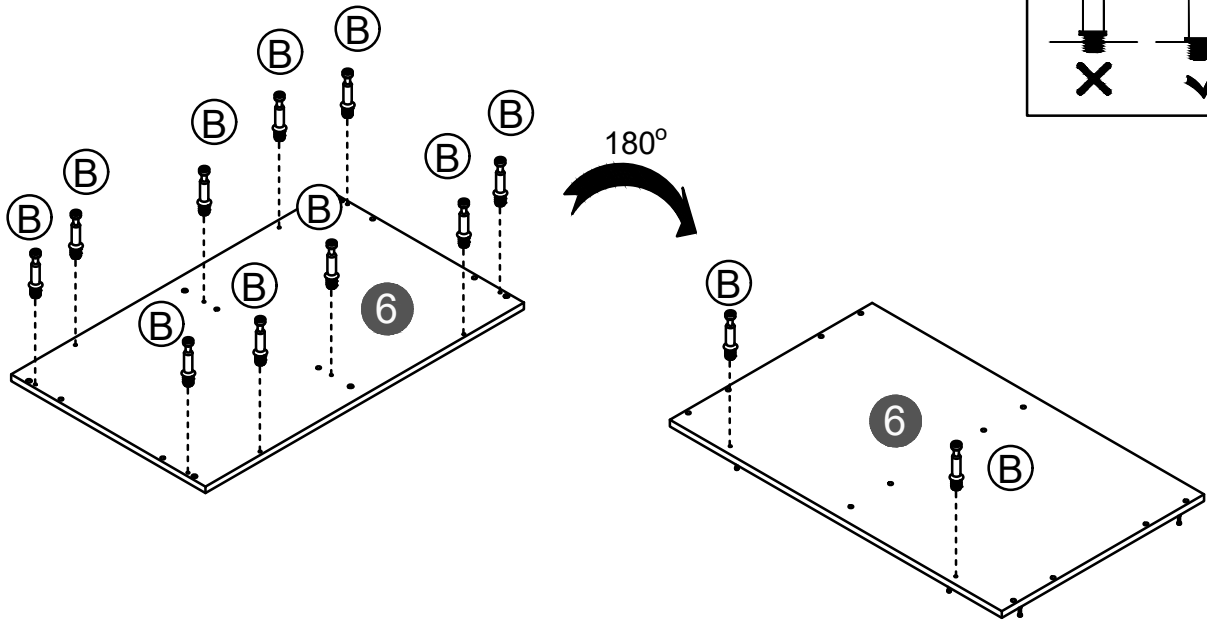
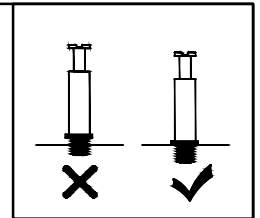
INSTALLATION INSTRUCTION

STEP 1



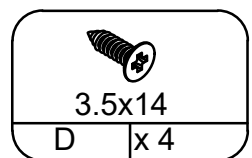
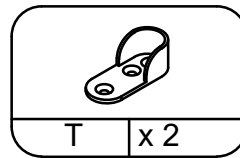
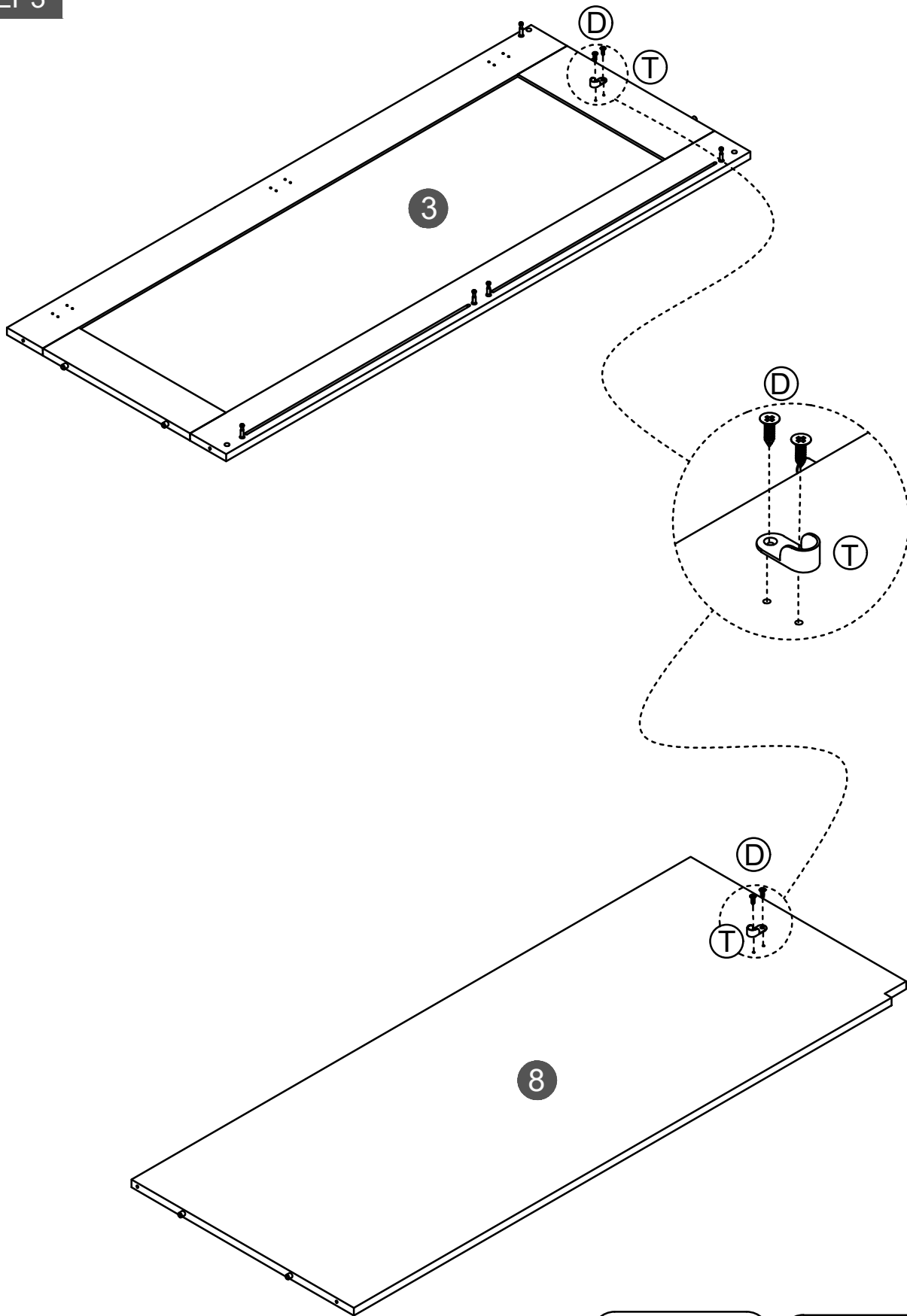
INSTALLATION INSTRUCTION

STEP 2



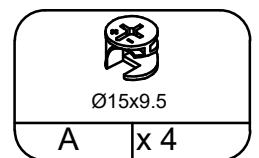
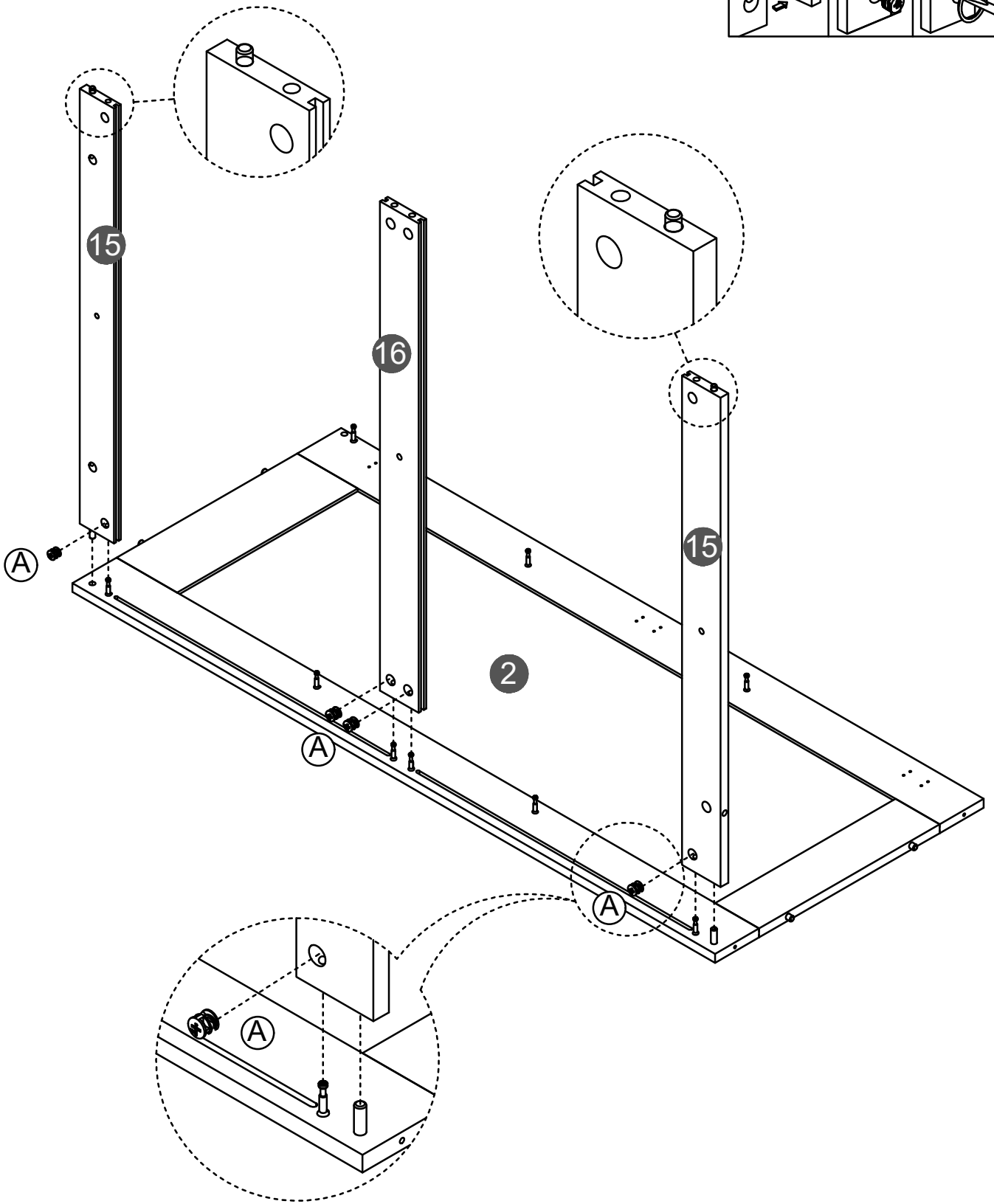
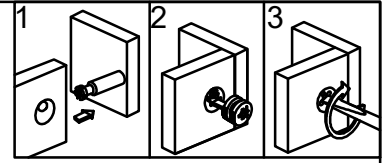
INSTALLATION INSTRUCTION

STEP 3



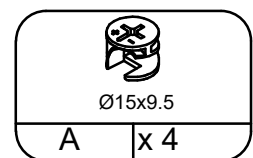
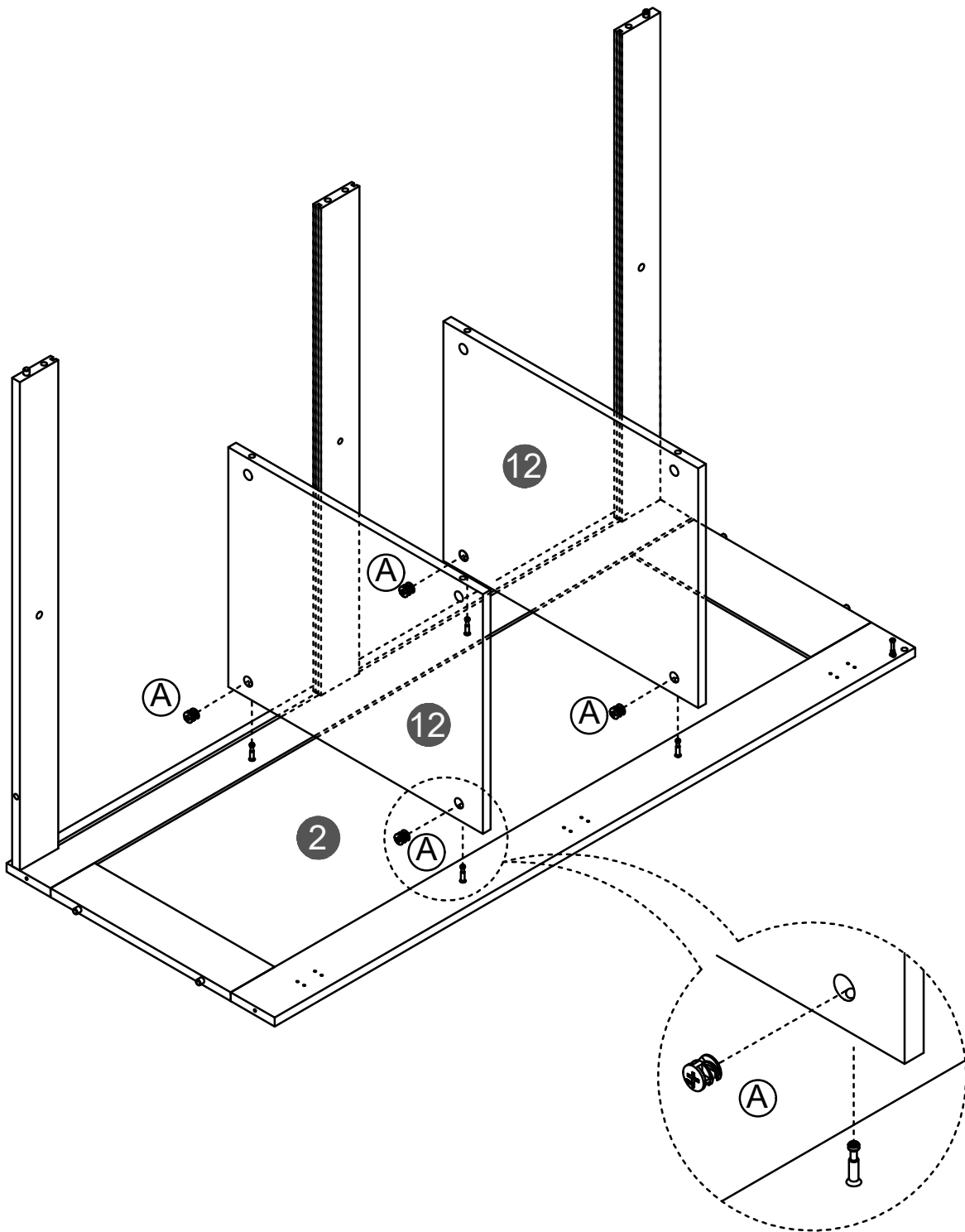
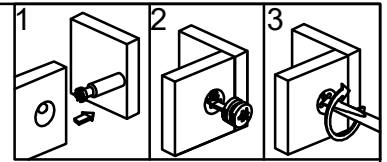
INSTALLATION INSTRUCTION

STEP 4



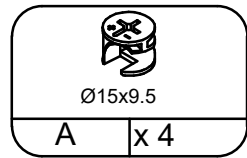
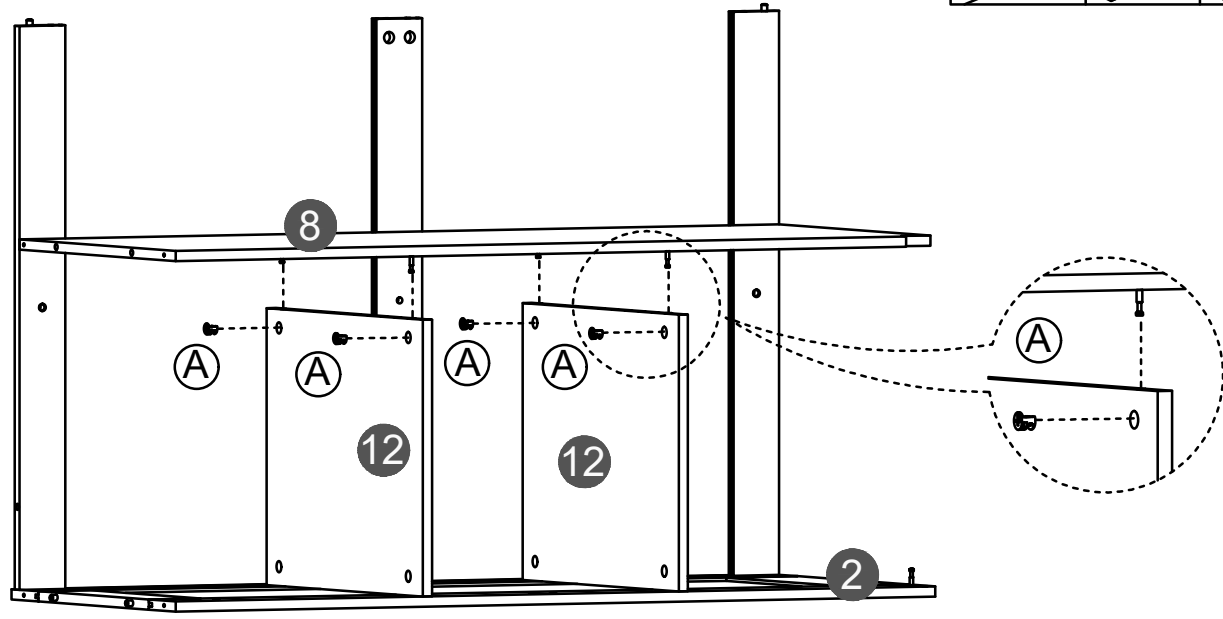
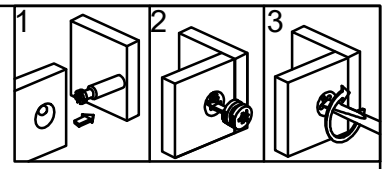
INSTALLATION INSTRUCTION

STEP 5

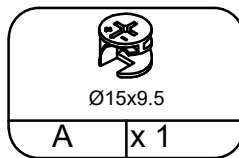
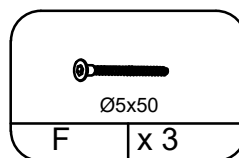
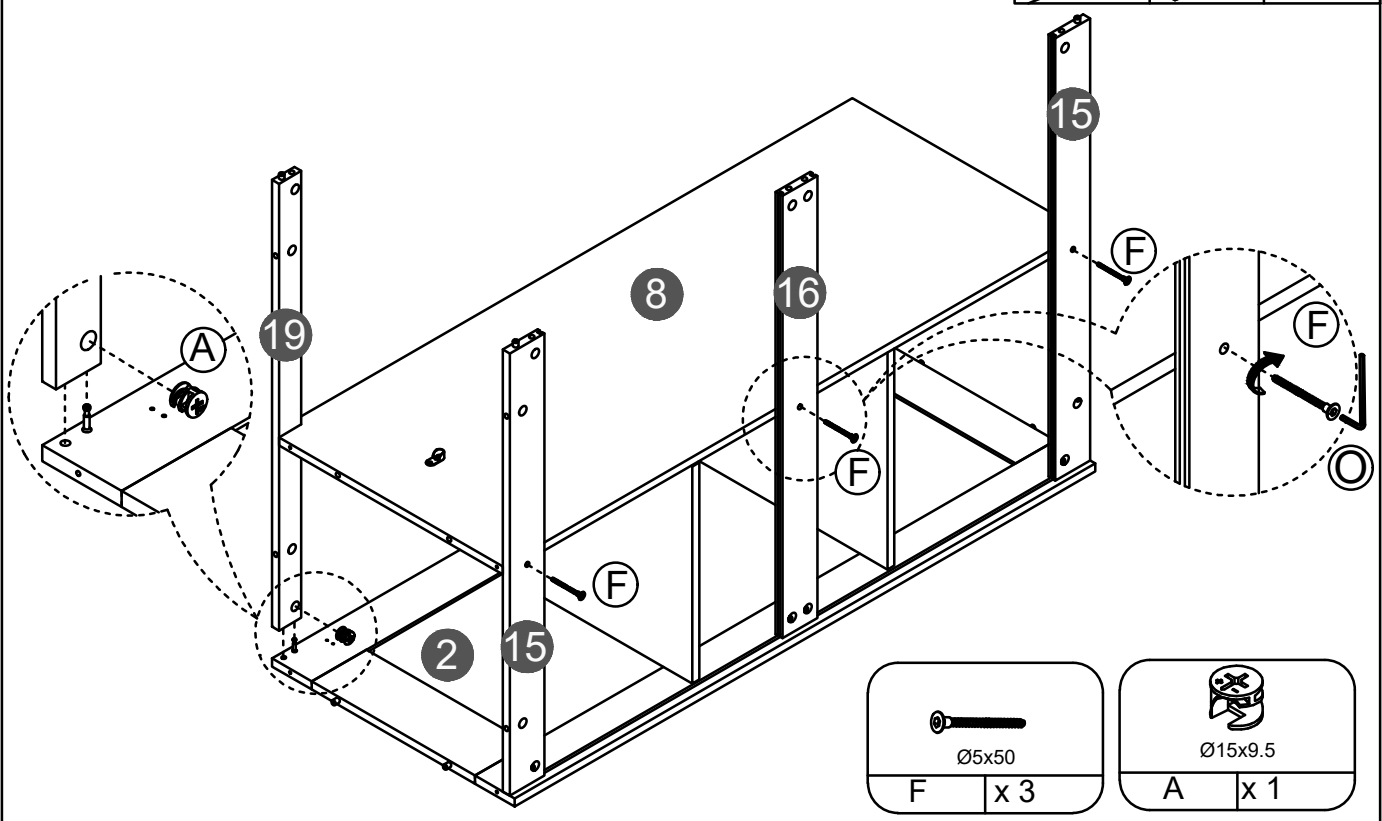
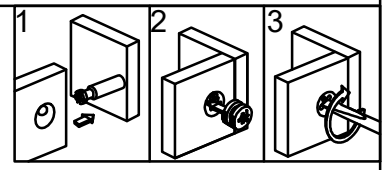


INSTALLATION INSTRUCTION

STEP 6

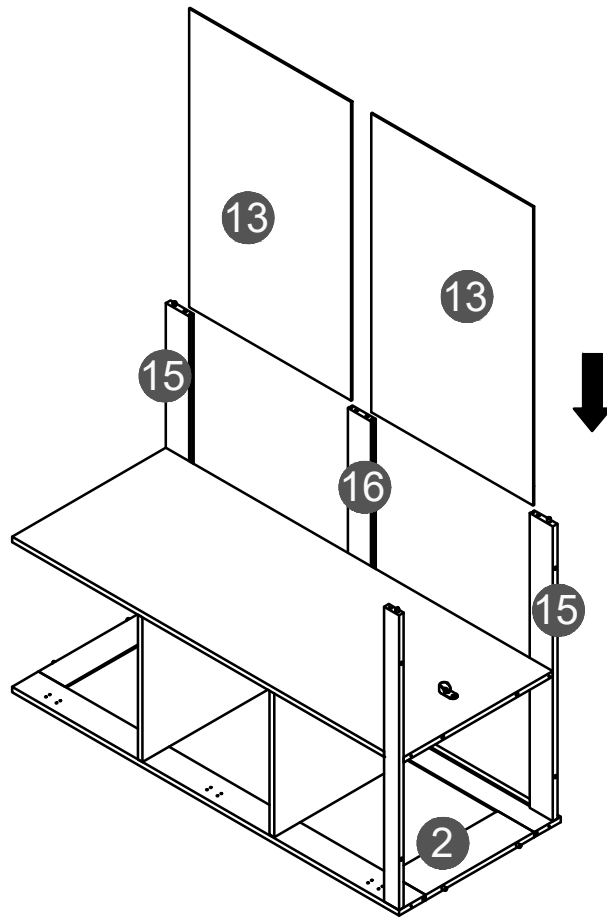


STEP 7

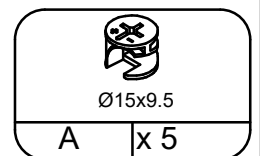
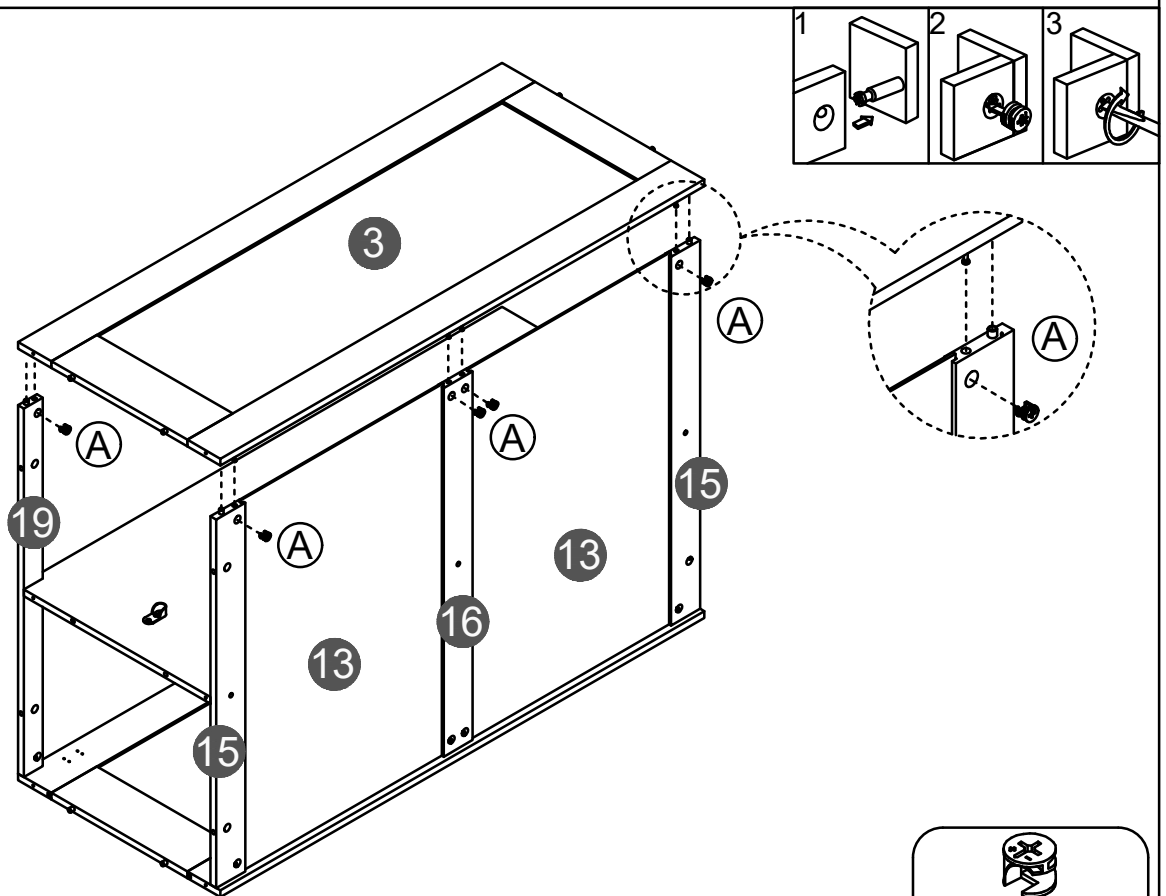


INSTALLATION INSTRUCTION

STEP 8

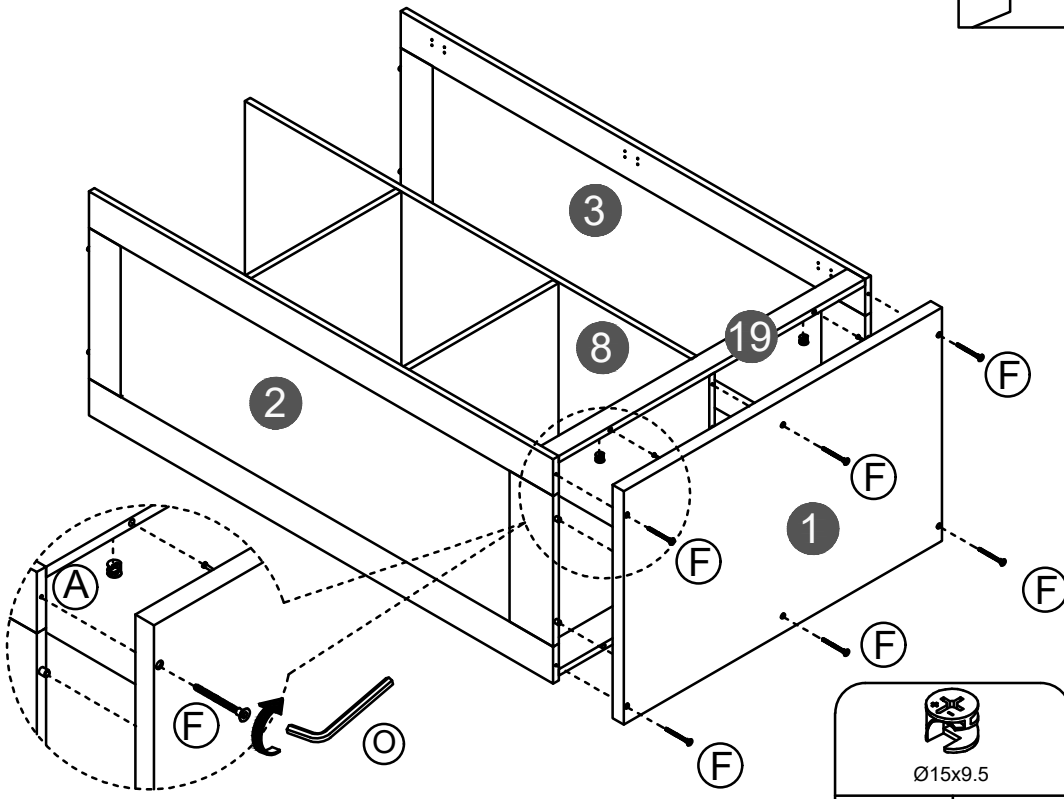
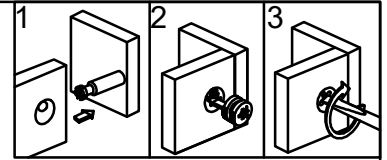



STEP 9




INSTALLATION INSTRUCTION

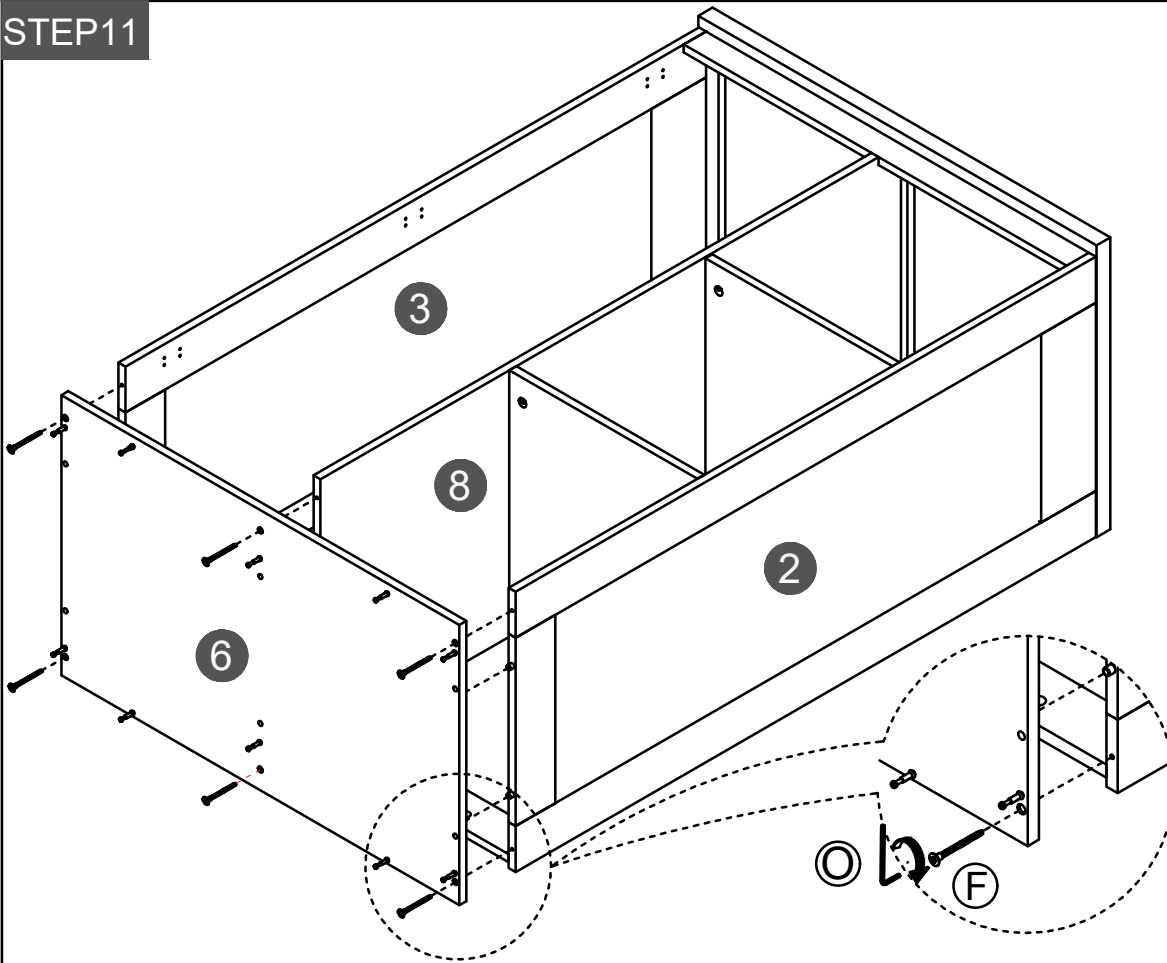
STEP 10




	$\varnothing 15 \times 9.5$
A	x 2

	$\varnothing 5 \times 50$
F	x 6

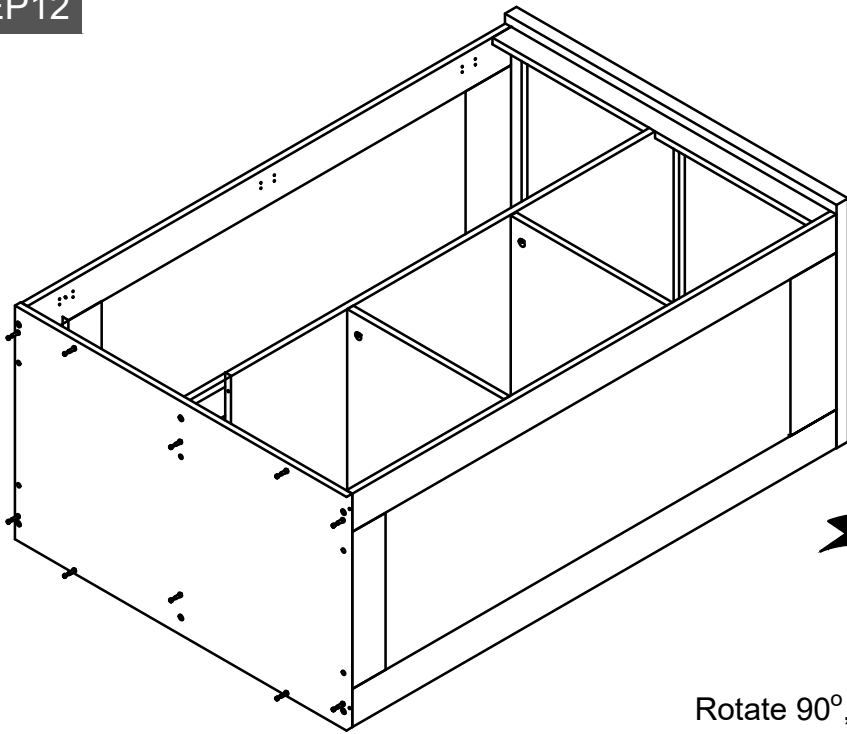
STEP 11



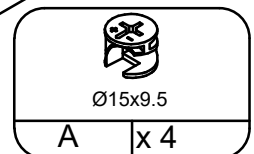
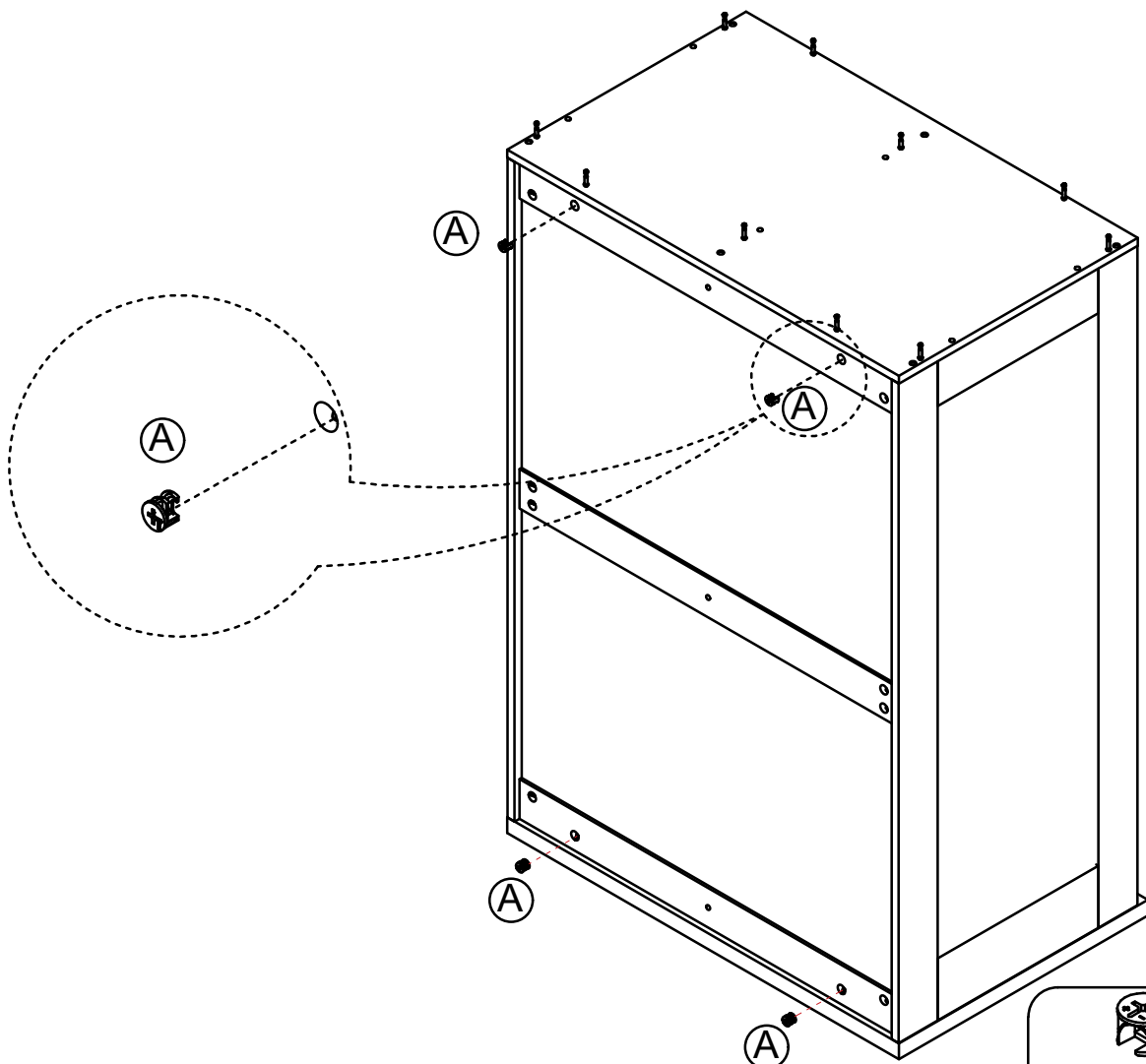
	$\varnothing 5 \times 50$
F	x 6

INSTALLATION INSTRUCTION

STEP 12

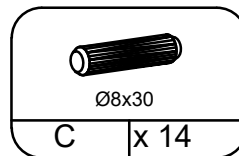
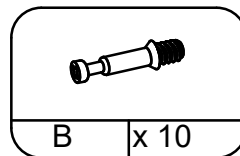
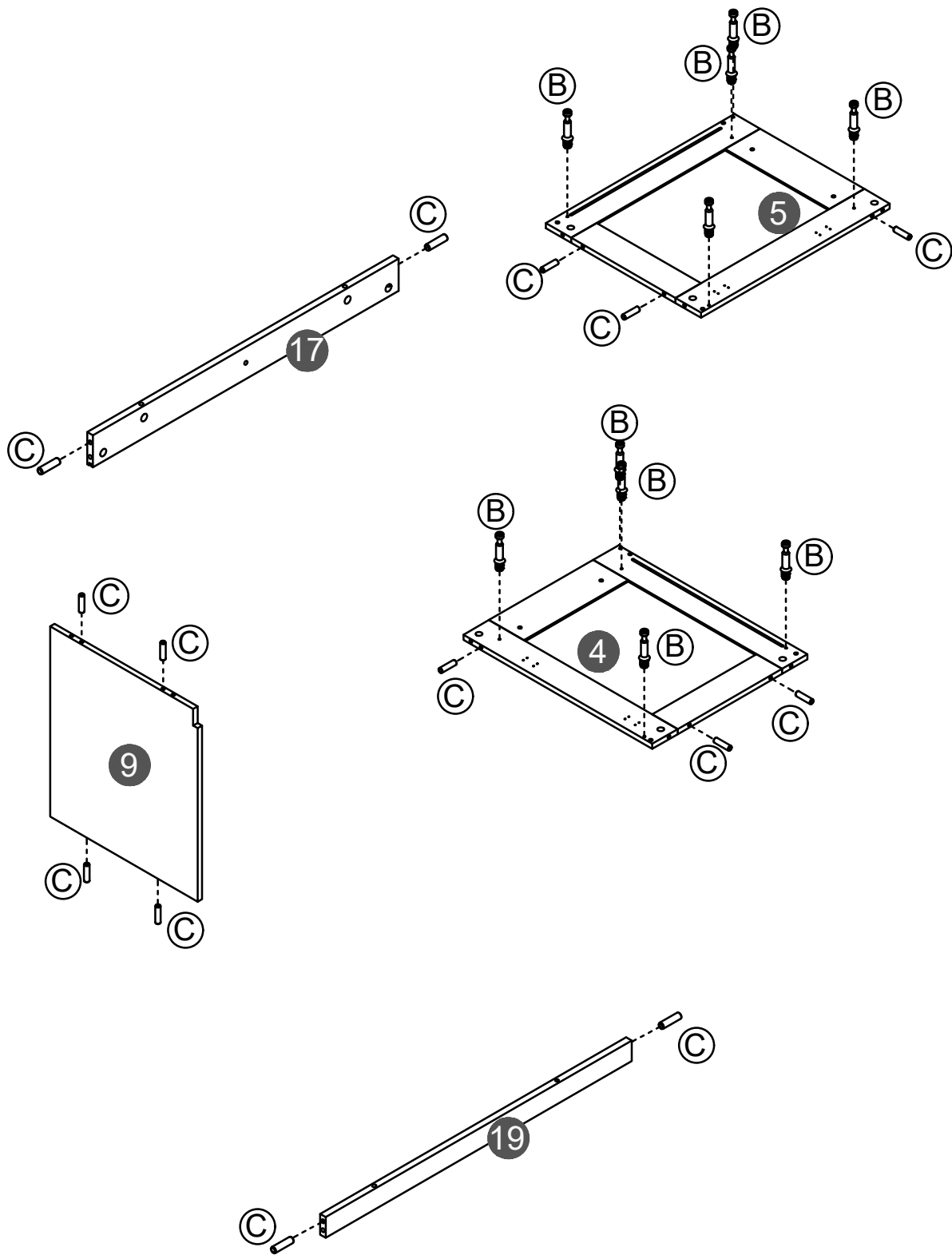


Rotate 90°, put the top panel on bottom



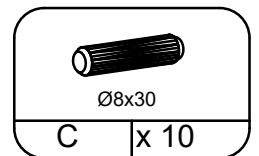
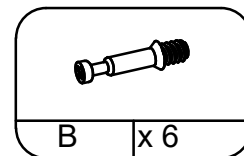
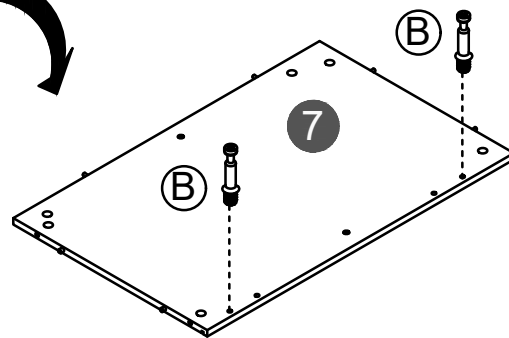
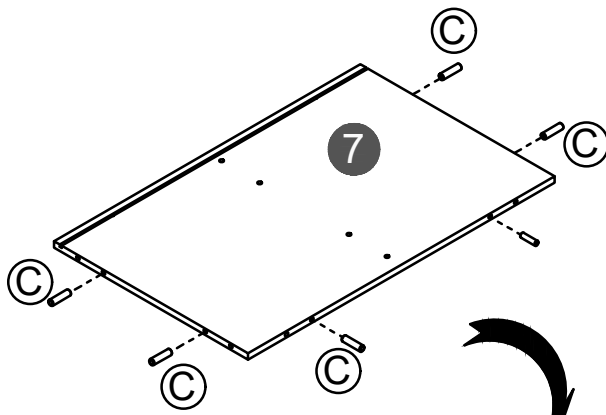
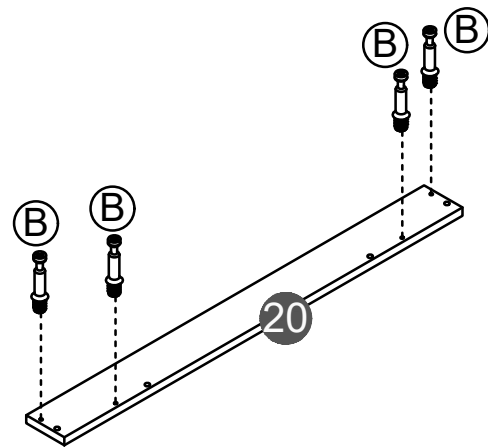
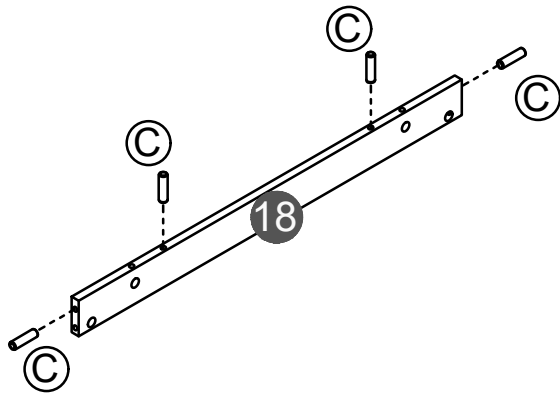
INSTALLATION INSTRUCTION

STEP 13



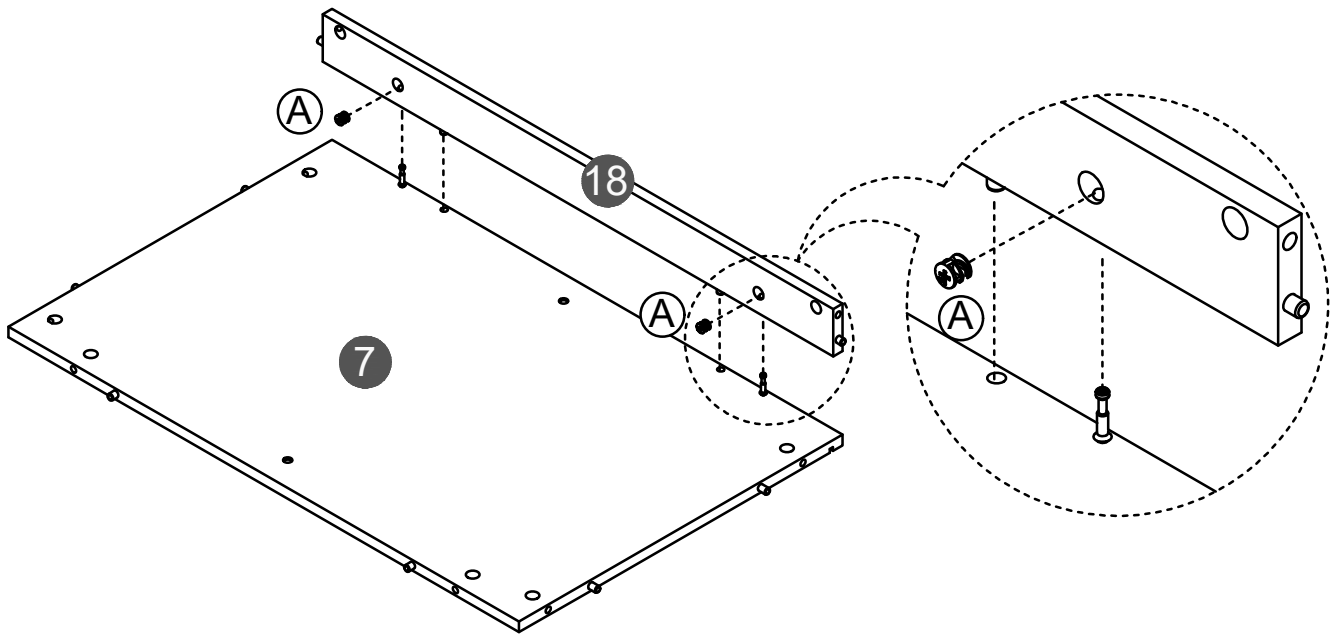
INSTALLATION INSTRUCTION


STEP 14



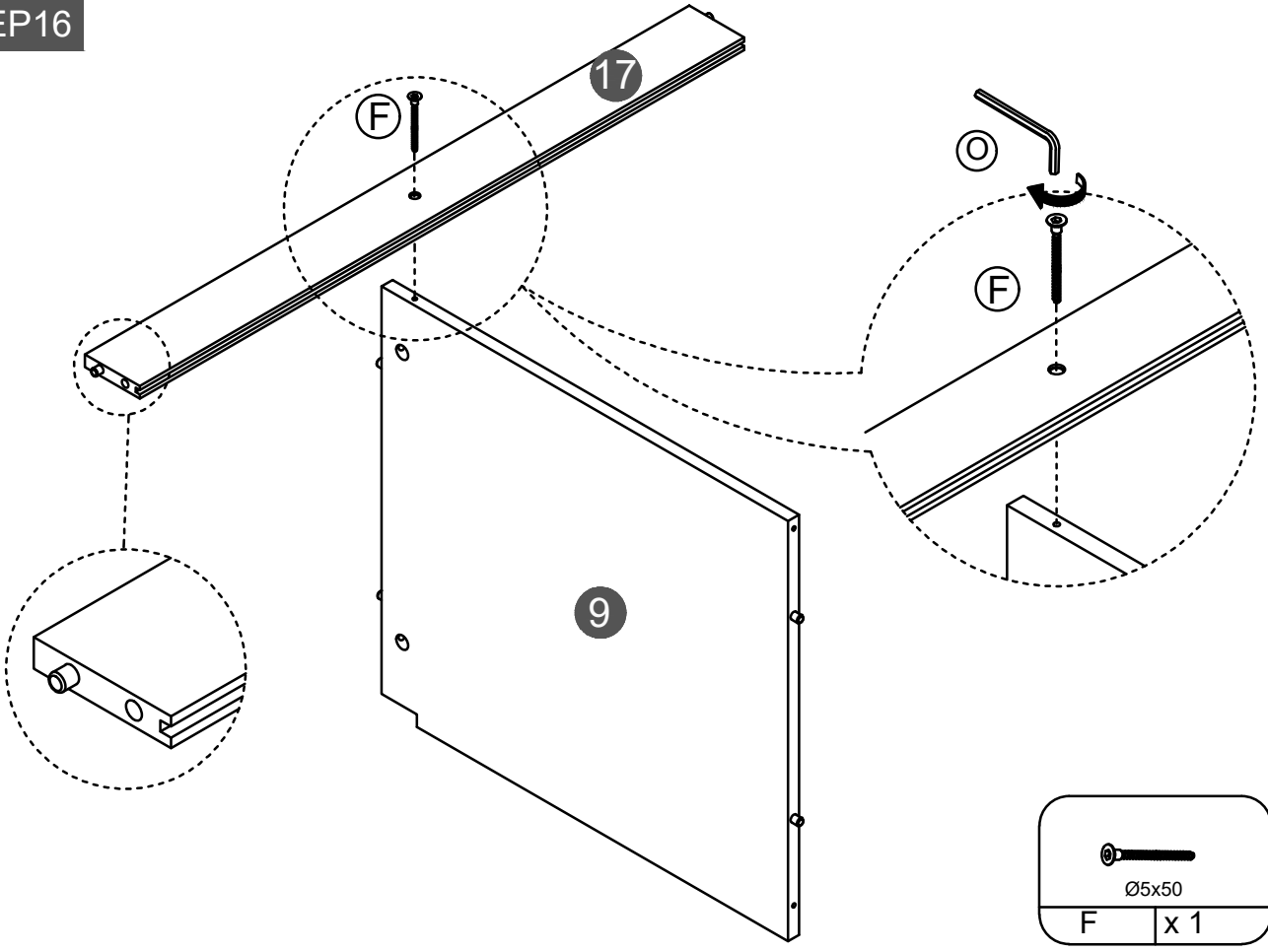
INSTALLATION INSTRUCTION


STEP 15



	
Ø15x9.5	
A	x 2

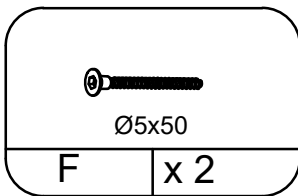
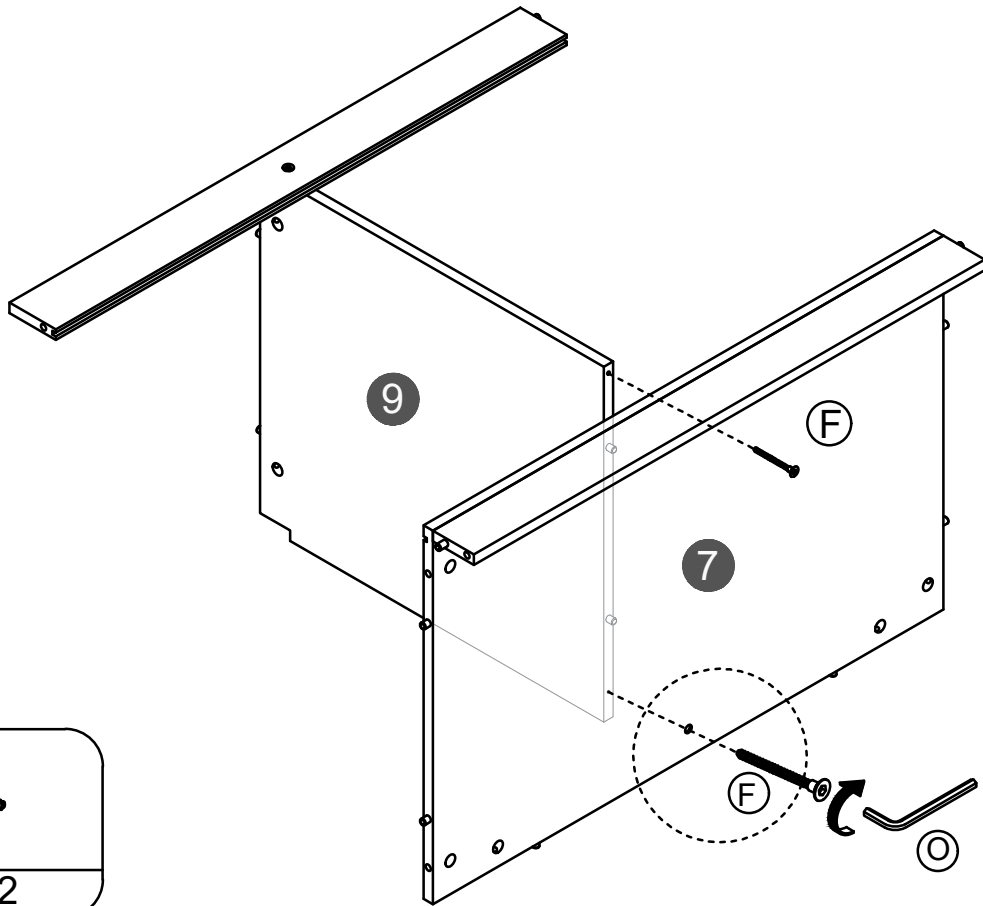
STEP 16



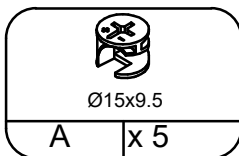
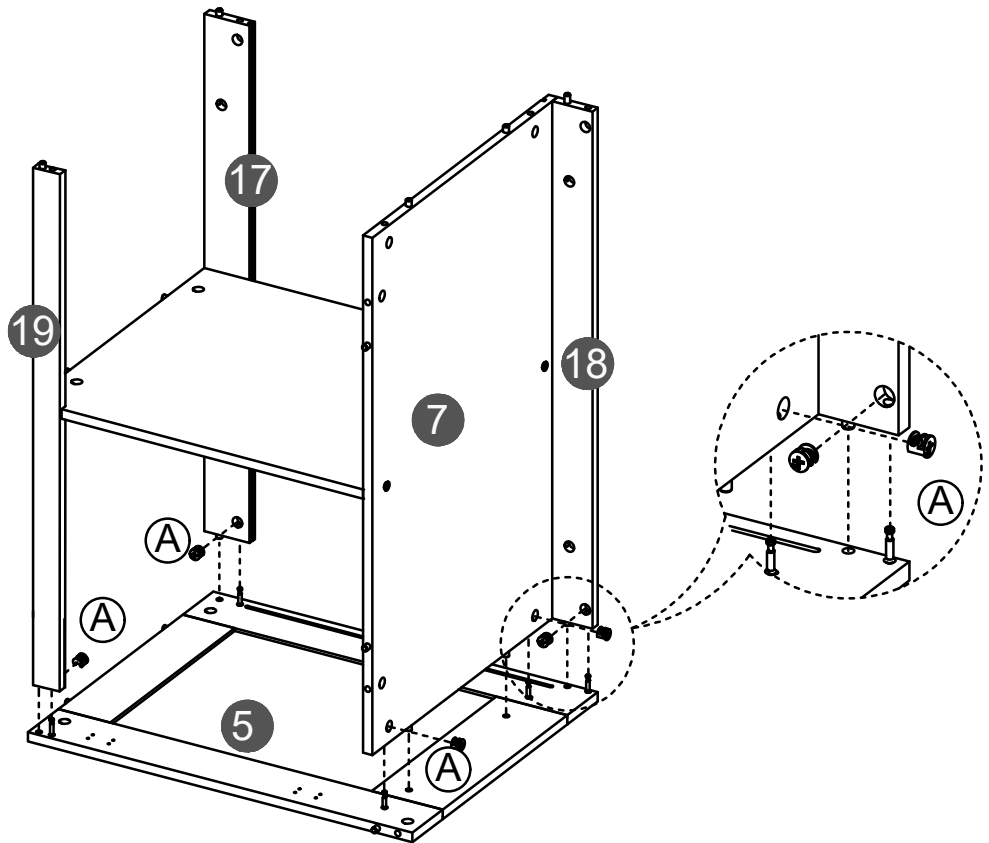
	
Ø5x50	
F	x 1

INSTALLATION INSTRUCTION

STEP 17

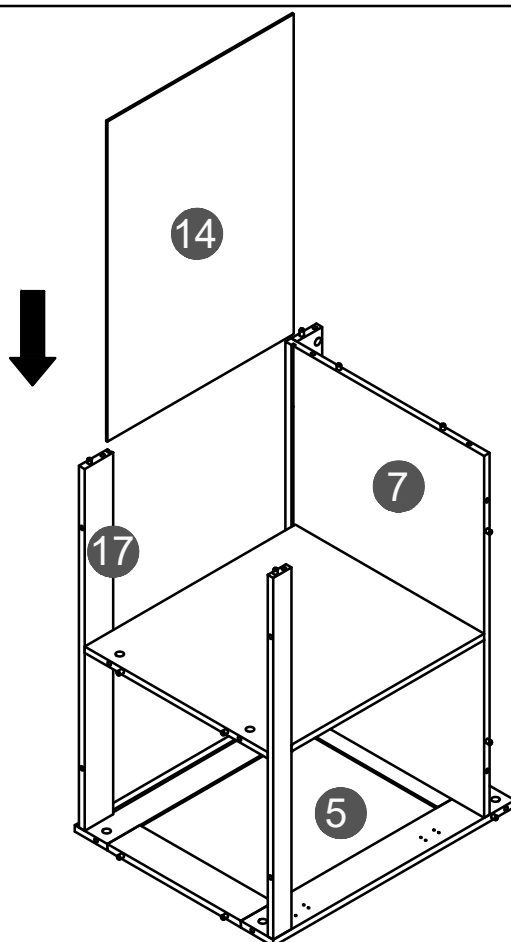


STEP 18

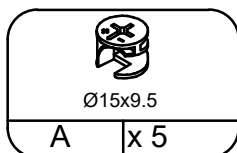
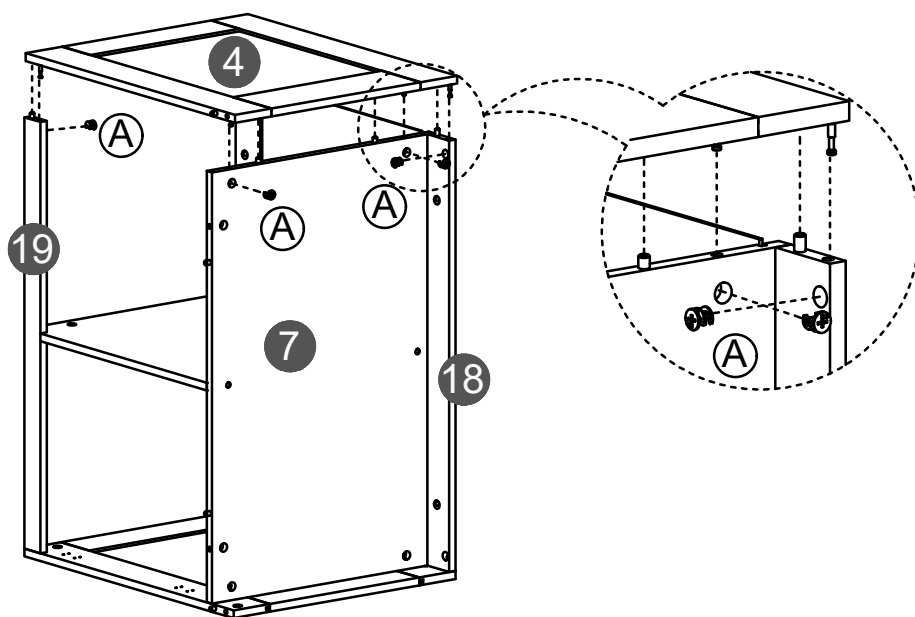
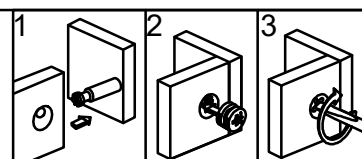


INSTALLATION INSTRUCTION

STEP 19

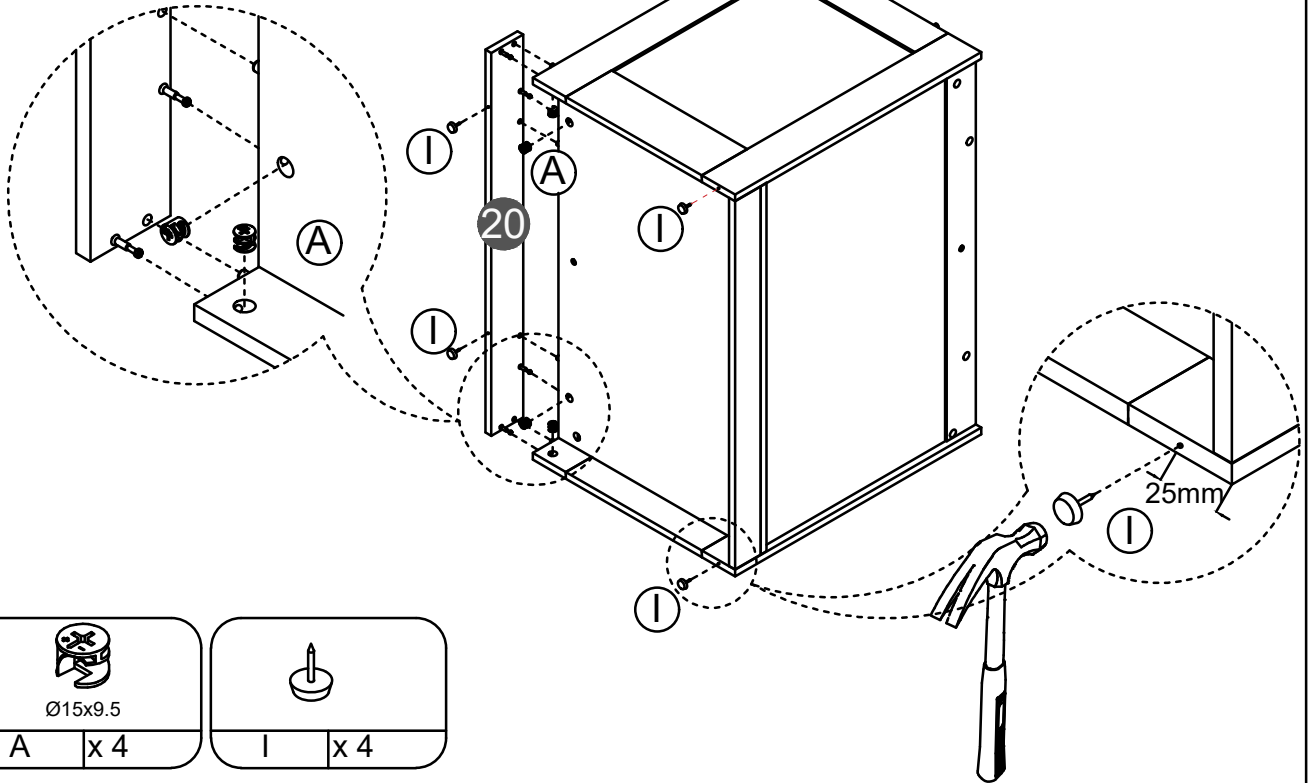
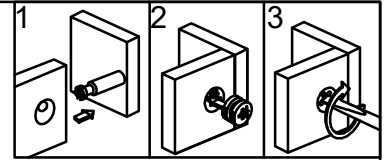


STEP 20



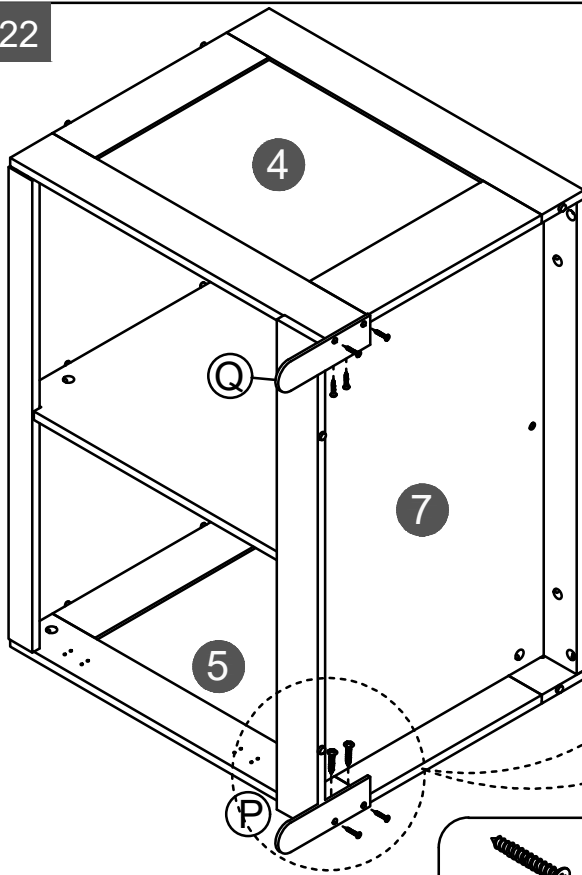
INSTALLATION INSTRUCTION

STEP 21



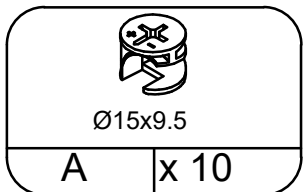
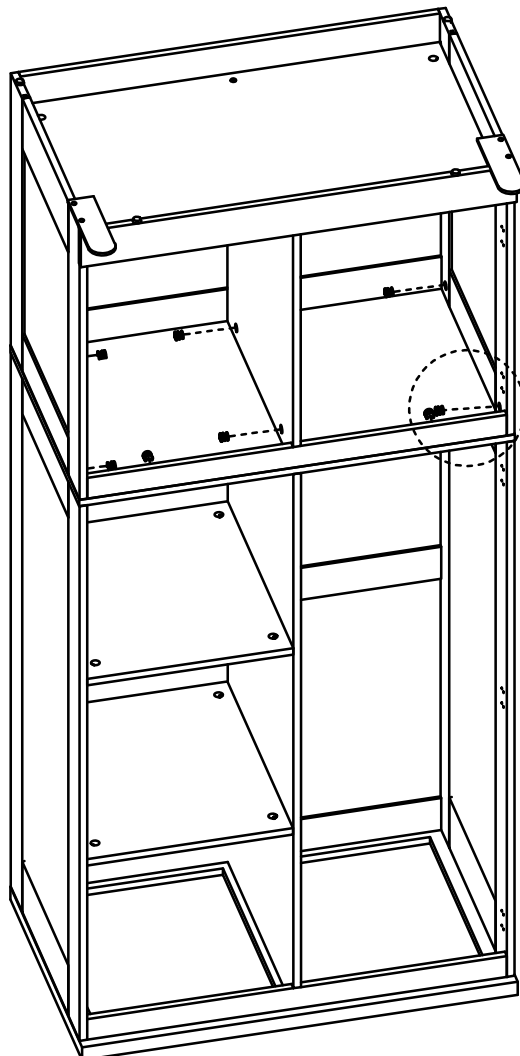
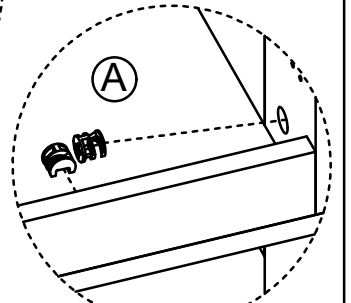
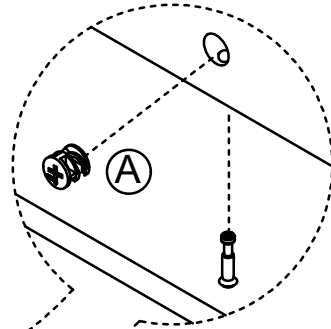
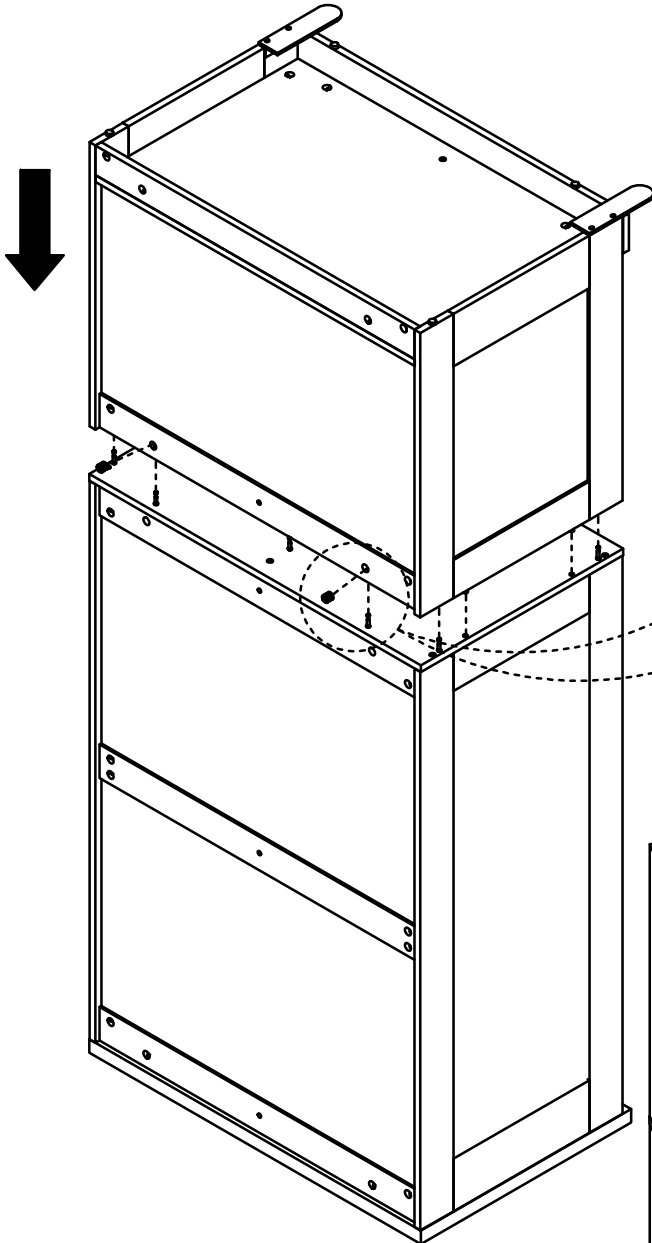
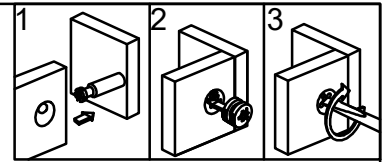
STEP 22

Note: It is necessary to assemble the metal plate (P), (Q) at the bottom of to keep this unit more stable .



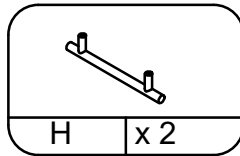
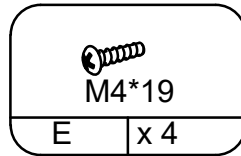
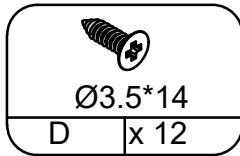
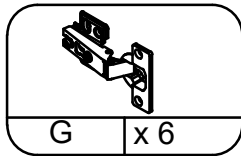
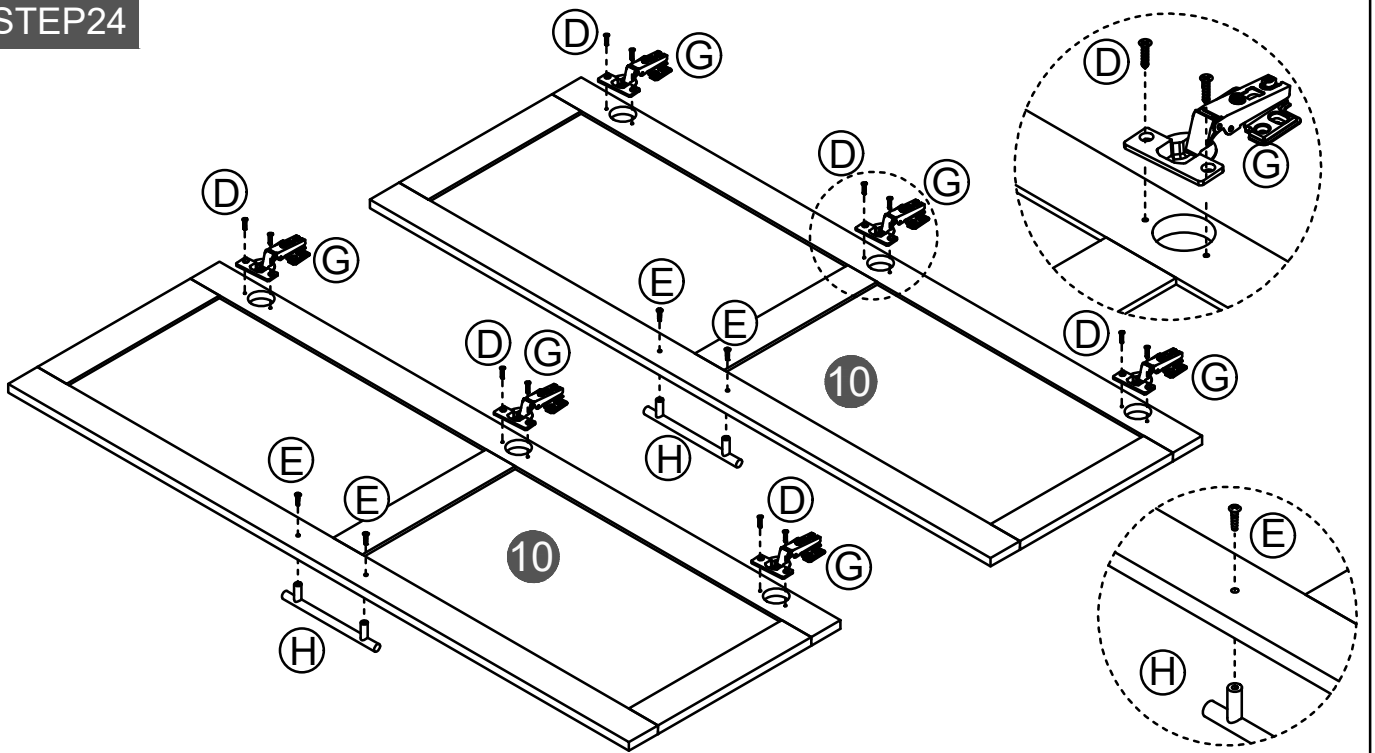
INSTALLATION INSTRUCTION

STEP 23

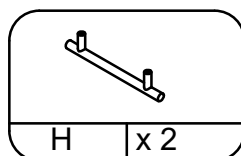
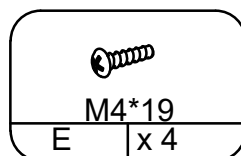
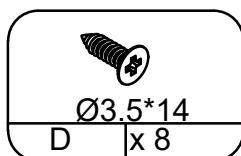
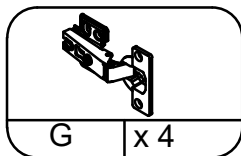
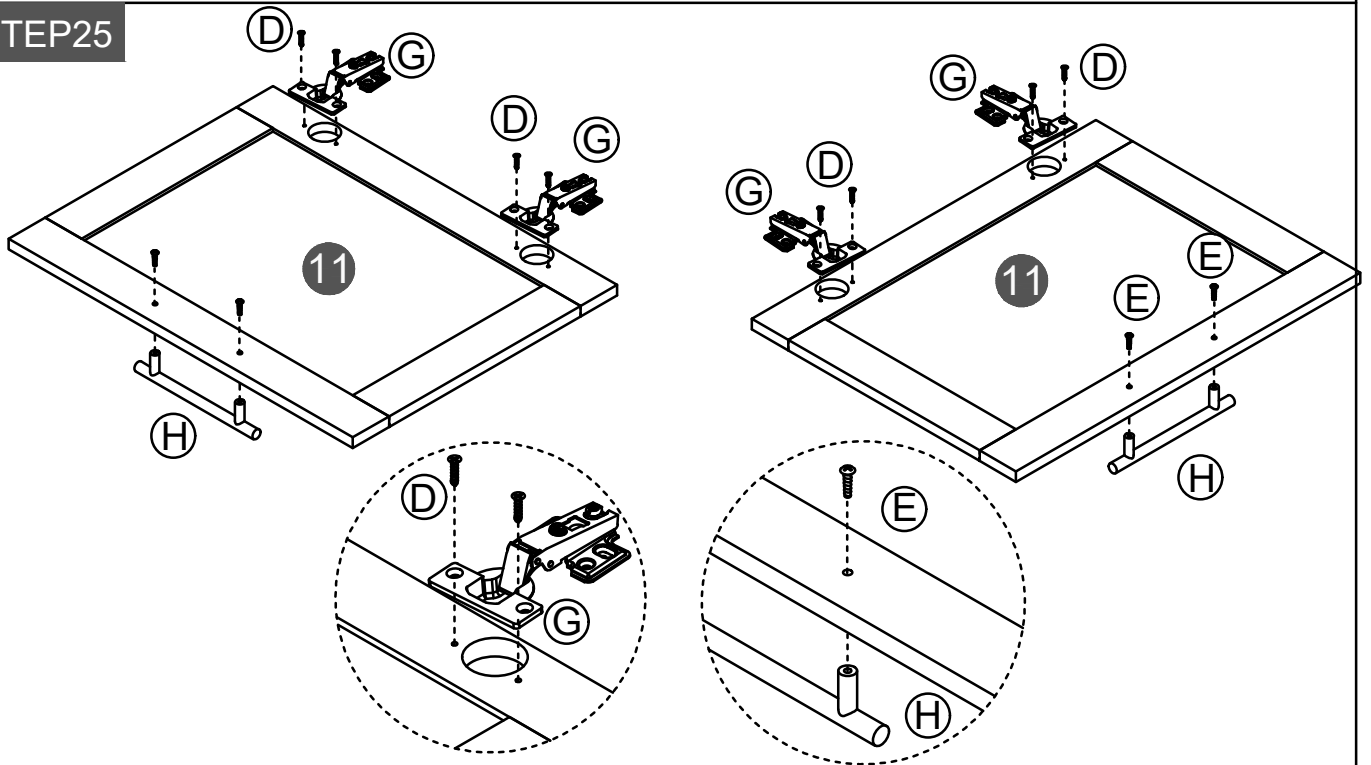


INSTALLATION INSTRUCTION

STEP24

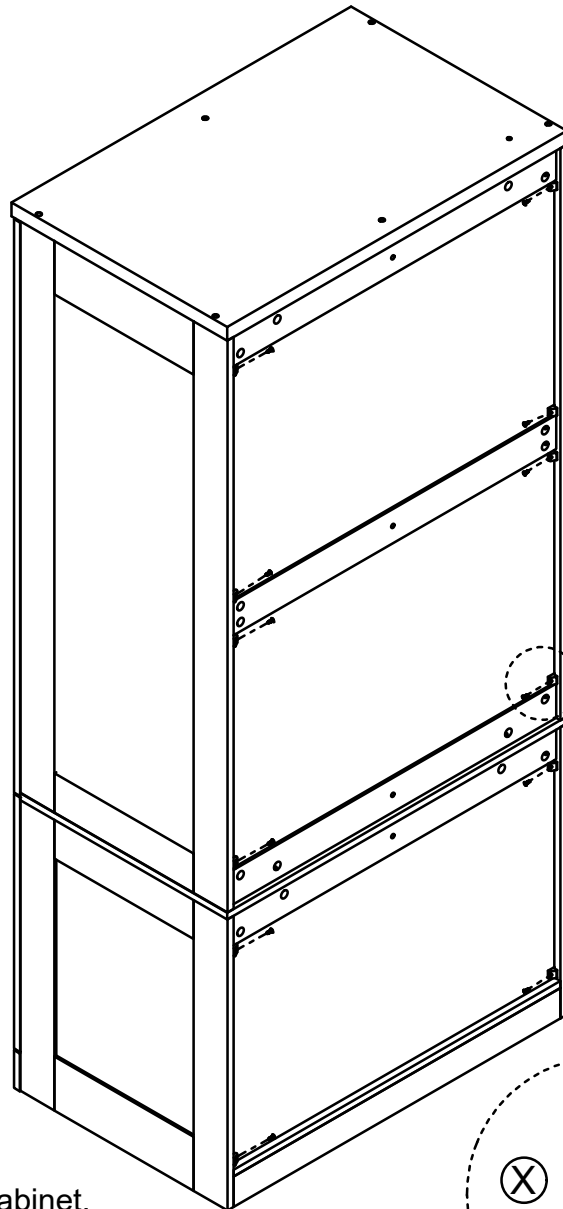
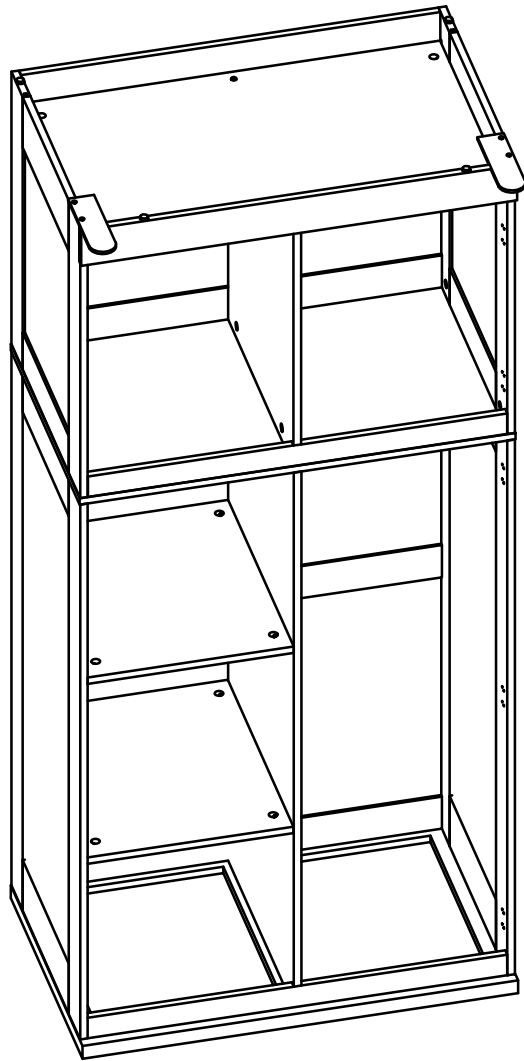


STEP25

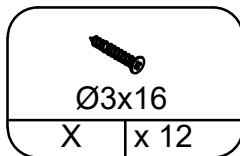
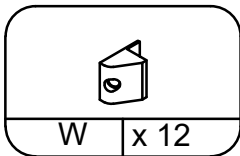


INSTALLATION INSTRUCTION

STEP 26

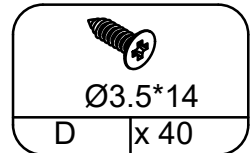
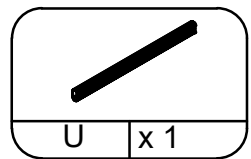
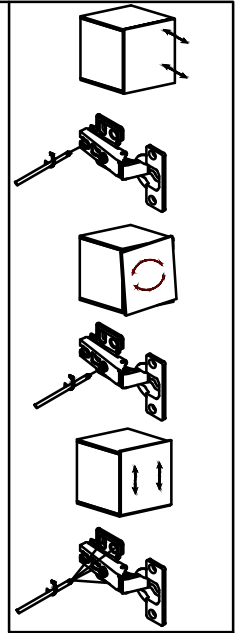
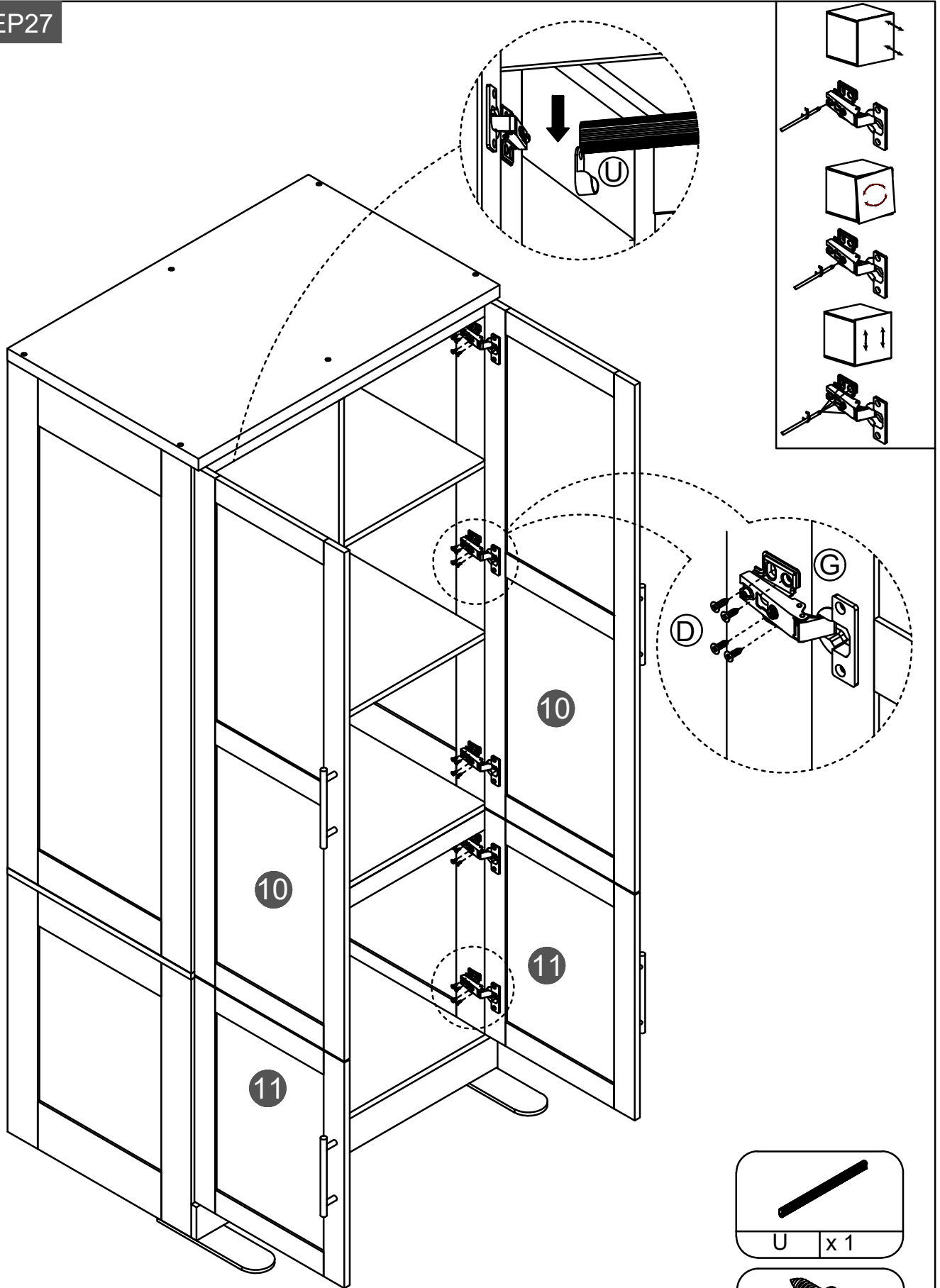


Due to incomplete assembled of the cabinet.
be careful when you standing up the cabinet.



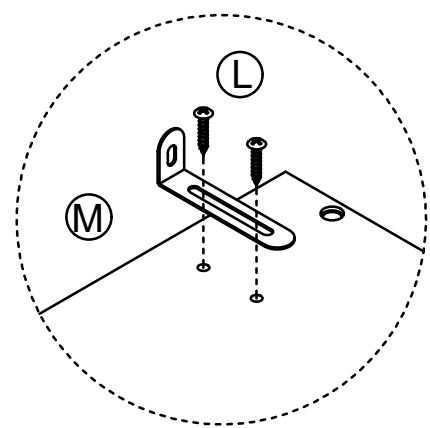
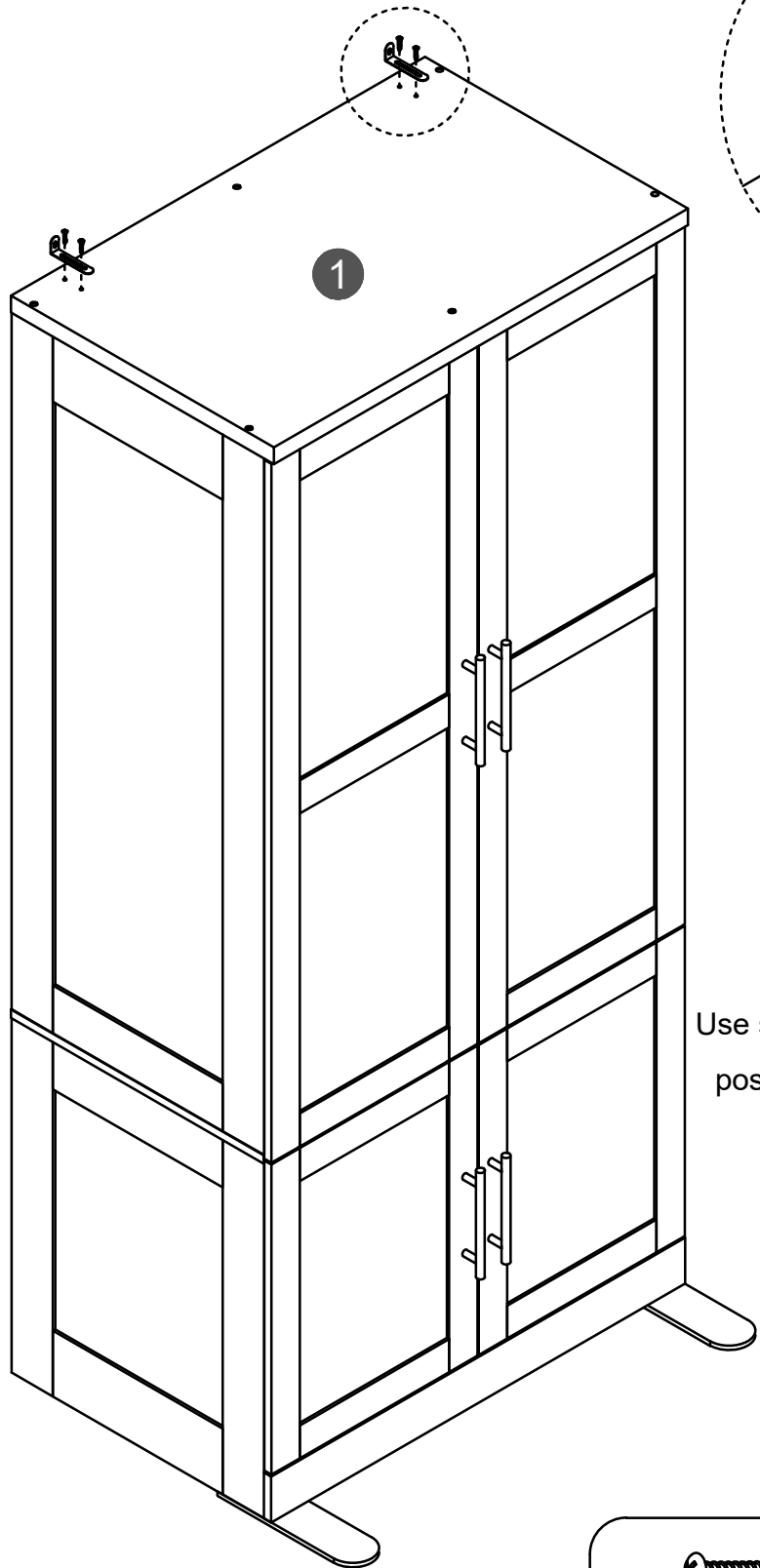
INSTALLATION INSTRUCTION

STEP 27

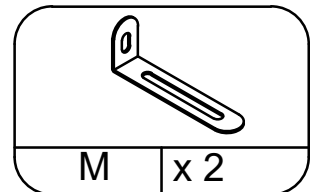
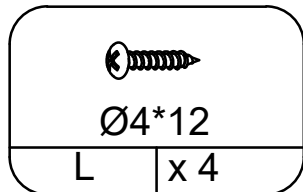


INSTALLATION INSTRUCTION

STEP 28

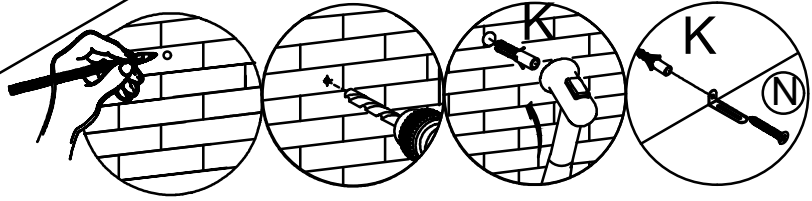


Use screw (L) to fix the pat L (M) follow position of holes on the peice 1



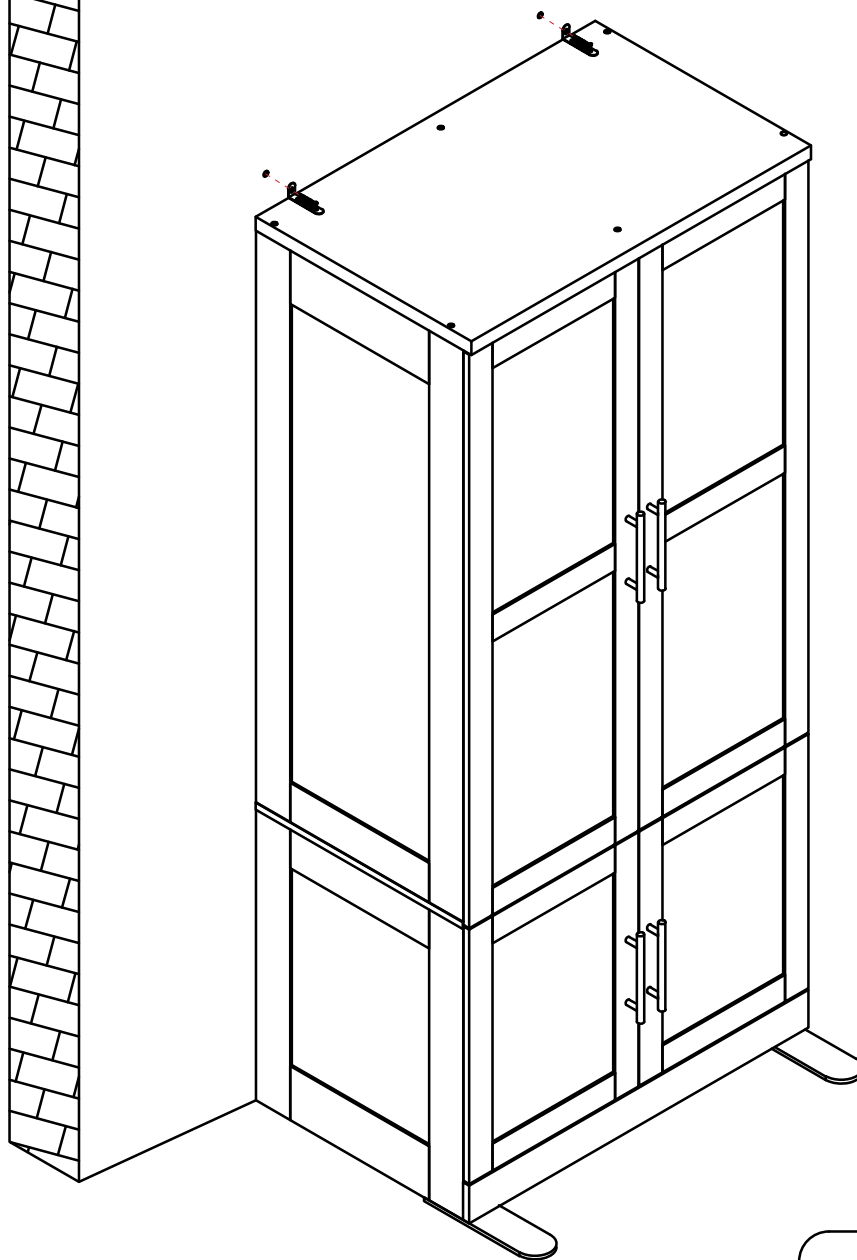
INSTALLATION INSTRUCTION



STEP 29



WALL

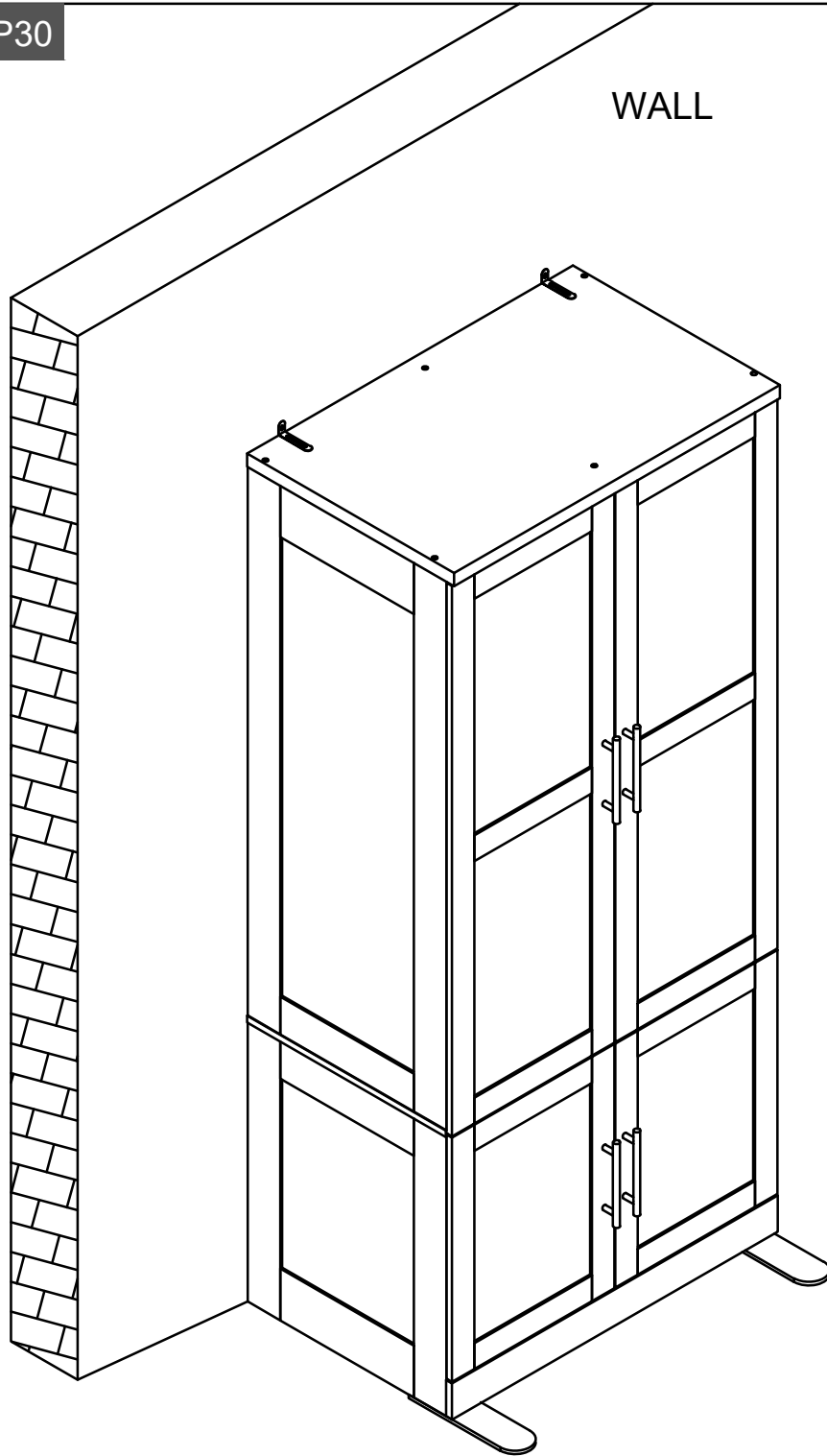
- Step 1: Determine the location of the anti-overturning on the wall and then mark the position after confirming the product has been balanced.
Step 2: Drill the hole and then fix the tack (K) on the wall
Step 3: Use screw (N) to fix the part L (M) on the wall



	
4x38	
N	x 2
K	x 2

INSTALLATION INSTRUCTION

STEP30



Finish : The product is fixed, can not move.