

## NOTICE

- \* Please make sure that you have all parts indicated and they are in good condition before you begin assembly of this item. Refer to part list and hardware list below for guidance.
- \* This item should be assembled on a soft surface to prevent scratching the finish during assembly.
- \* This item may require periodic tightening.
- \* If you are having difficulty, our friendly Customer Care team is always here to help. Please email [customersupport@safavieh.com](mailto:customersupport@safavieh.com)



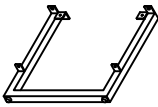


## PREPARATION

- \* Before beginning assembly of product, make sure all parts are present. Compare parts with part contents list and hardware contents list.
- \* If any part is missing or damaged, do not attempt to assemble the product.
- \* Estimated Assembly Time: 60 minutes.
- \* Tools Required for Assembly : Allen Key (included), Phillips screwdriver (not included)

## CARE AND MAINTENANCE

Adhesive felt pads should always be applied to areas of furniture which make direct contact with flooring, said application will prevent damage to the furniture and or surfaces on which the furniture lies. Objects placed on articles of furniture should rest on non abrasive material as to prevent damage to the wood finish. Wipe up spills immediately and avoid common hazards such as hot dishes, harsh solvents and abrasives. Cleaning should be done with a soft lint free cotton cloth dampened with water or furniture polish.

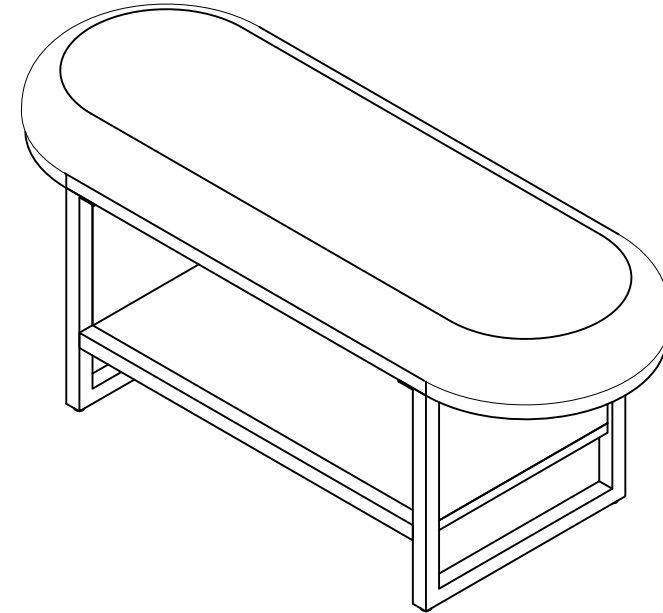
## Part List and Hardware List

PIECE	DESCRIPTION	PICTURE	QUANTITY
A	CUSHION		1X
B	SIDE PANEL		2X
C	LEG FRAME		2X
D	SHELF RAIL		2X
E	SHELF PANEL		1X



Model# BCH5002


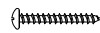
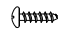





Product Dimensions: 42"W x 15"D x 18"H



**WARNING**

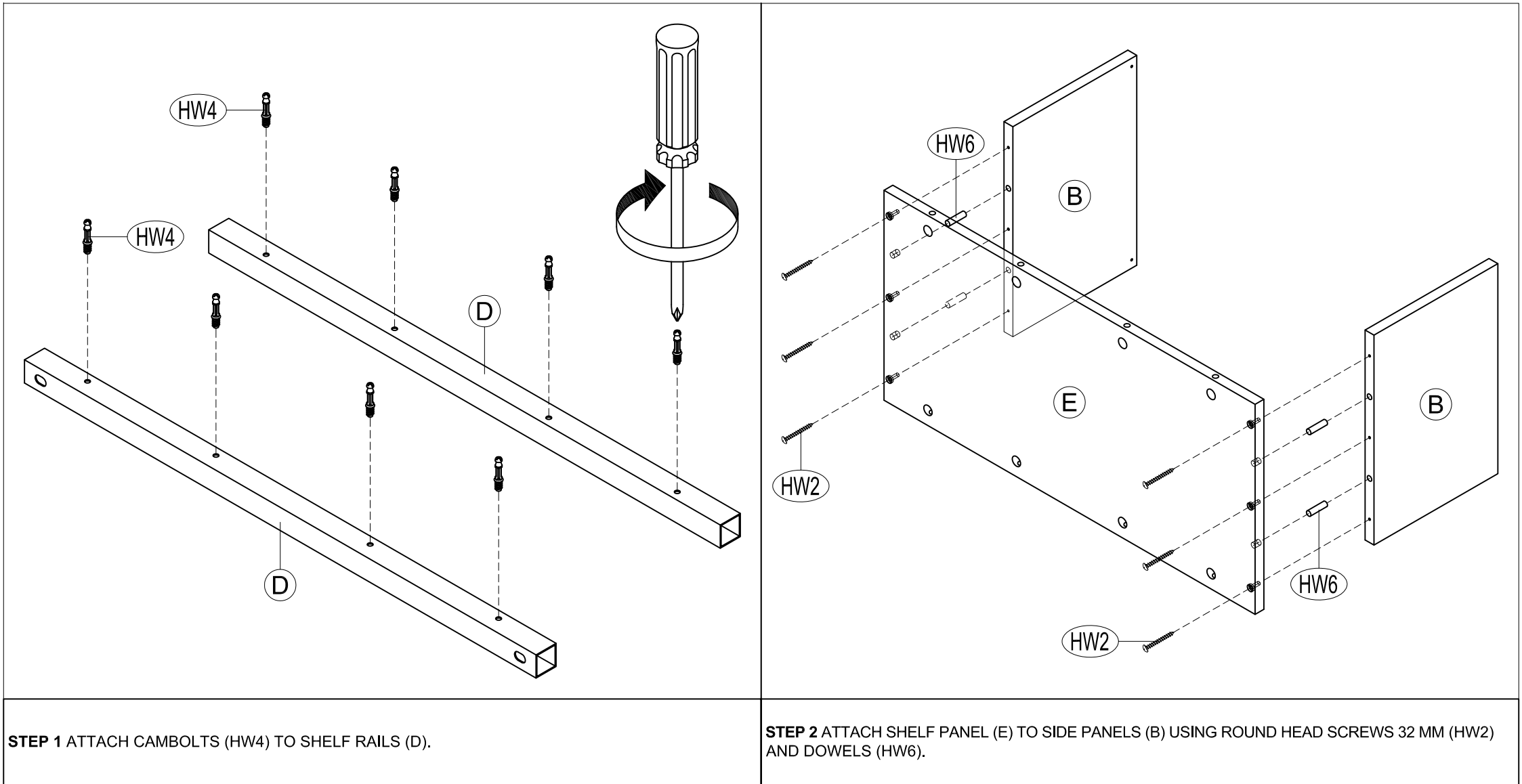


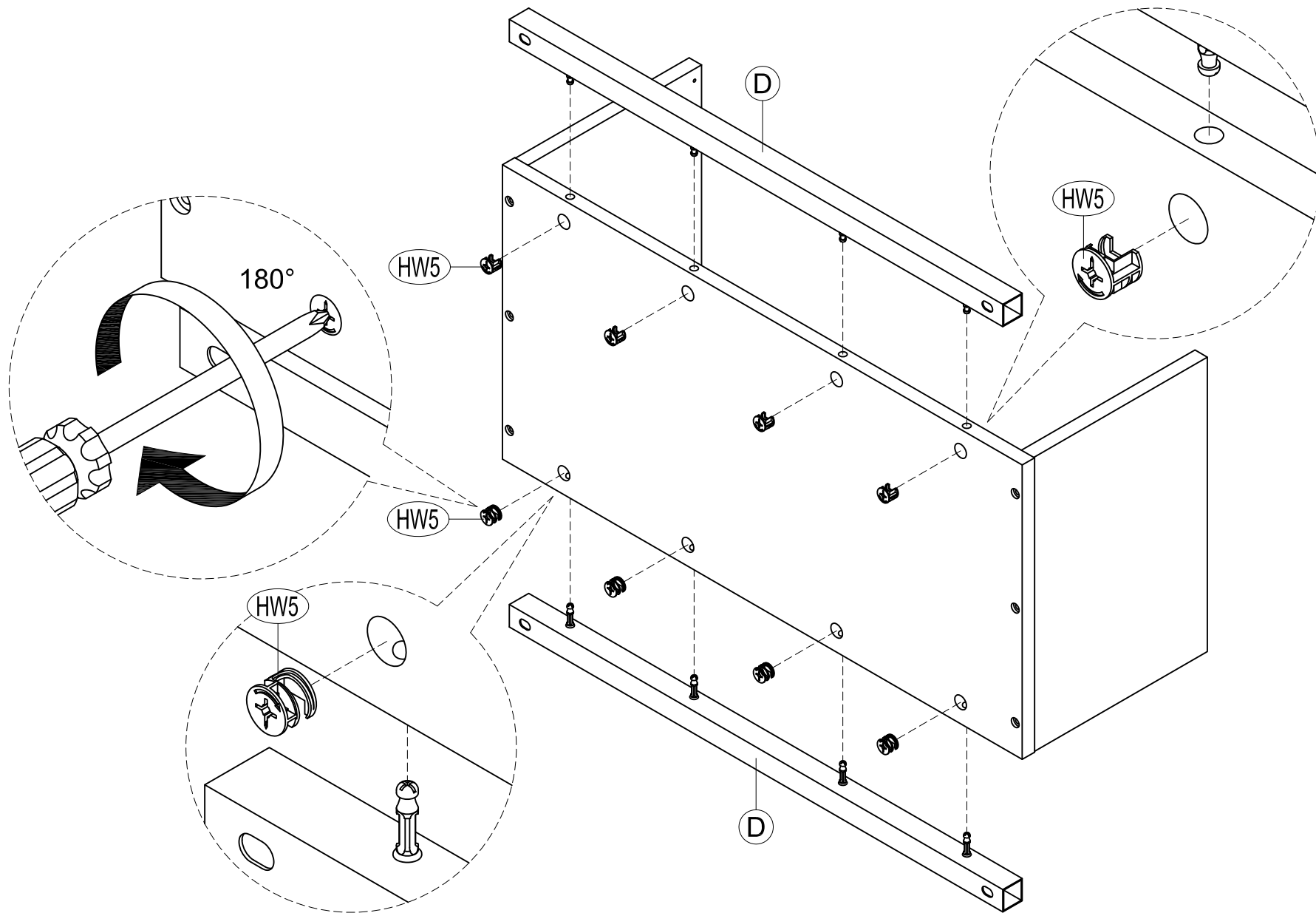
**WEIGHT CAPACITY: 300 LBS (SEAT); 40 LBS (SHELF)**  
**WARNING: DO NOT STAND ON THE BENCH**  
**WARNING: DO NOT OVER TORQUE BOLTS/SCREWS**

PIECE	DESCRIPTION	PICTURE	QUANTITY
HW1	BOLT 6 x 1 x 15 MM		8X
HW2	ROUND HEAD SCREW 4 x 1 x 32 MM		6X
HW3	ROUND HEAD SCREW 4 x 1 x 16 MM		4X
HW4	CAMBOLT		8X
HW5	CAMLOCK		8X
HW6	DOWEL		4X
HW7	SPRING WASHER		4X
HW8	ALLEN KEY		1X

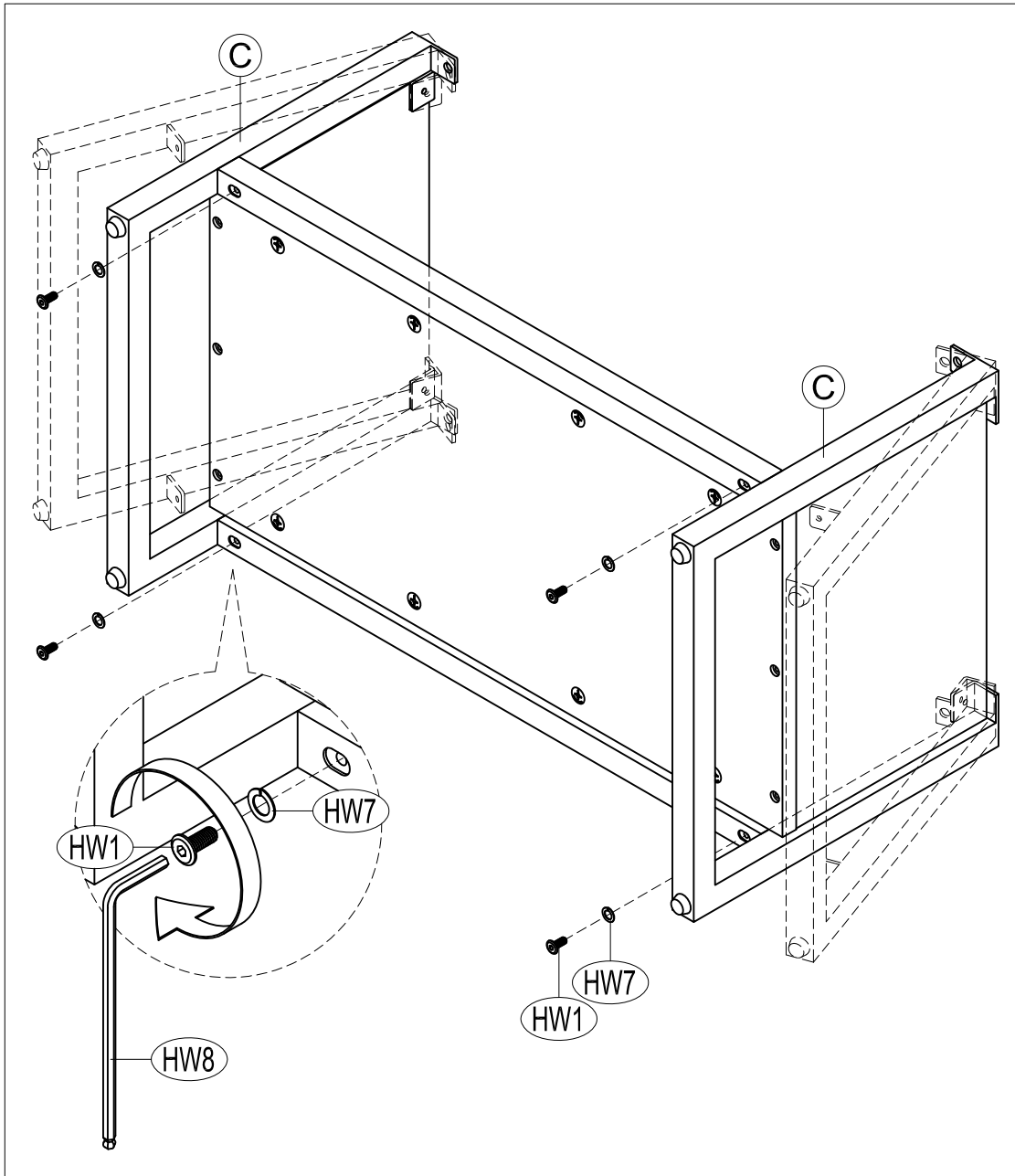
## PREPARATION

- \* Before beginning assembly of product, make sure all parts are present. Compare parts with package contents list and hardware contents list.
- \* If any part is missing or damaged, do not attempt to assemble the product.
- \* Estimated Assembly Time: 60 minutes.
- \* Tools Required for Assembly : Allen Key (included), Phillips screwdriver (not included)
- \* If you are having difficulty, our friendly Customer Care team is always here to help. Please email [customersupport@safavieh.com](mailto:customersupport@safavieh.com)

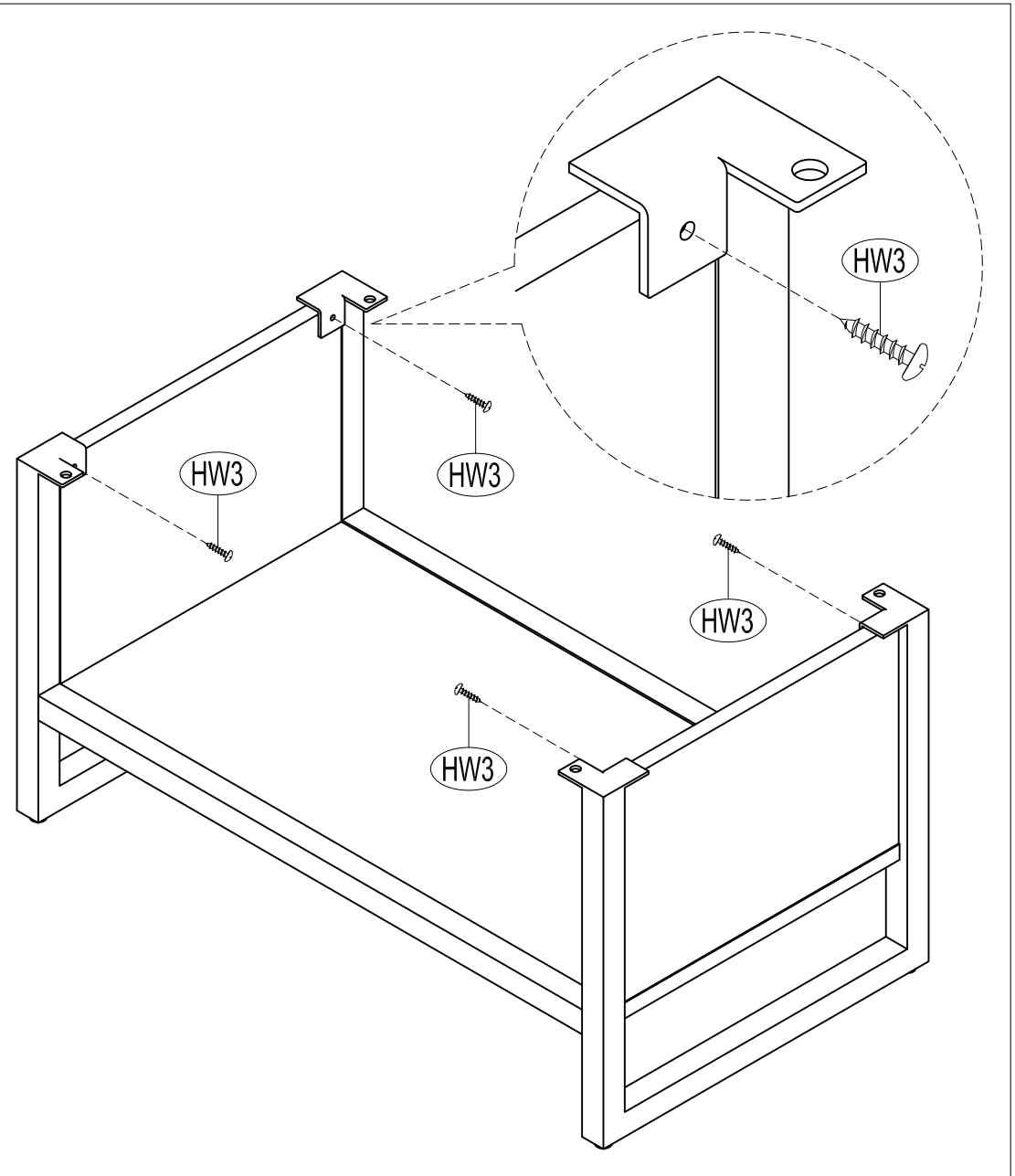




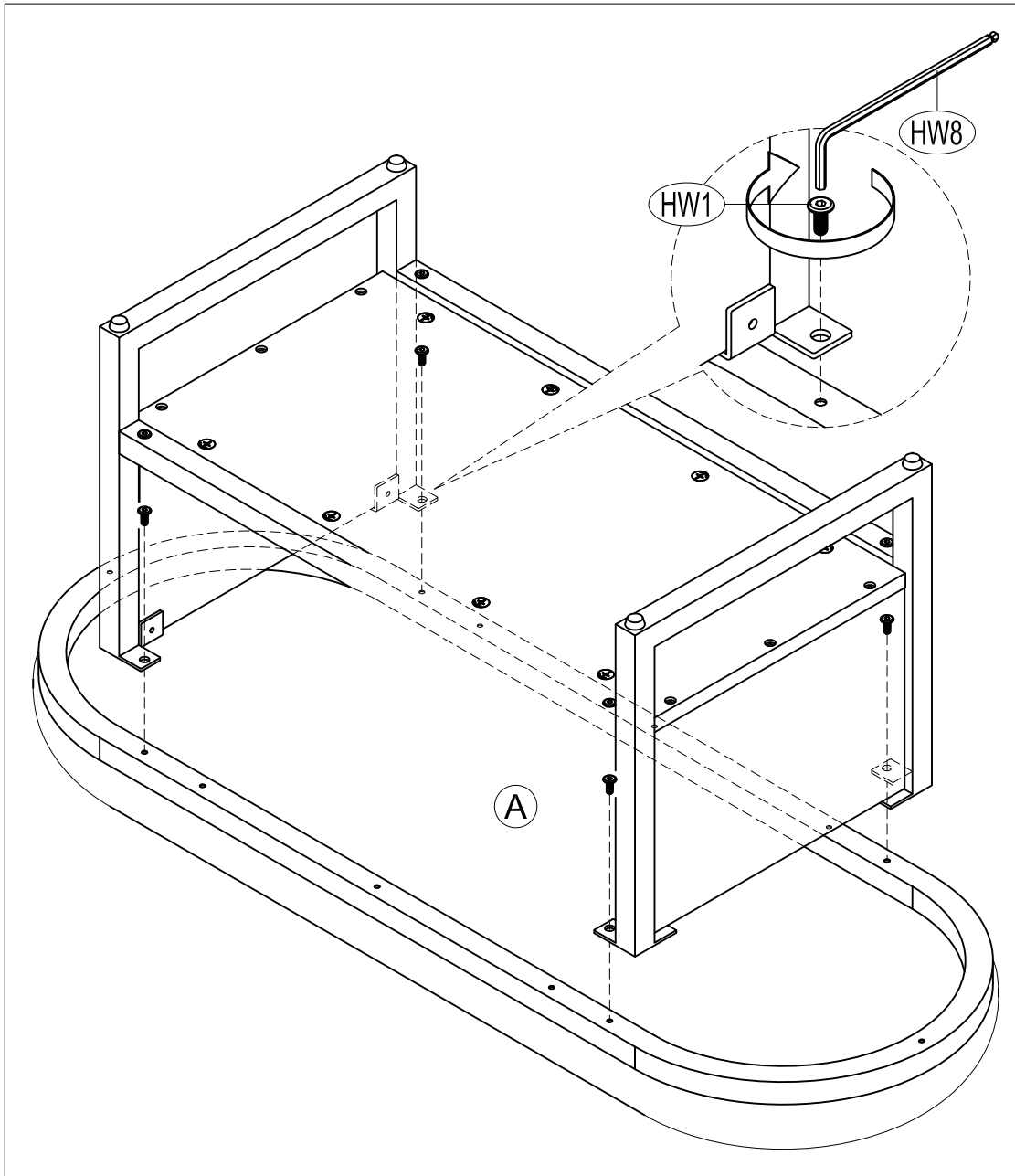
**STEP 3** ATTACH SHELF RAILS (D) TO UNIT USING CAMLOCKS (HW5).



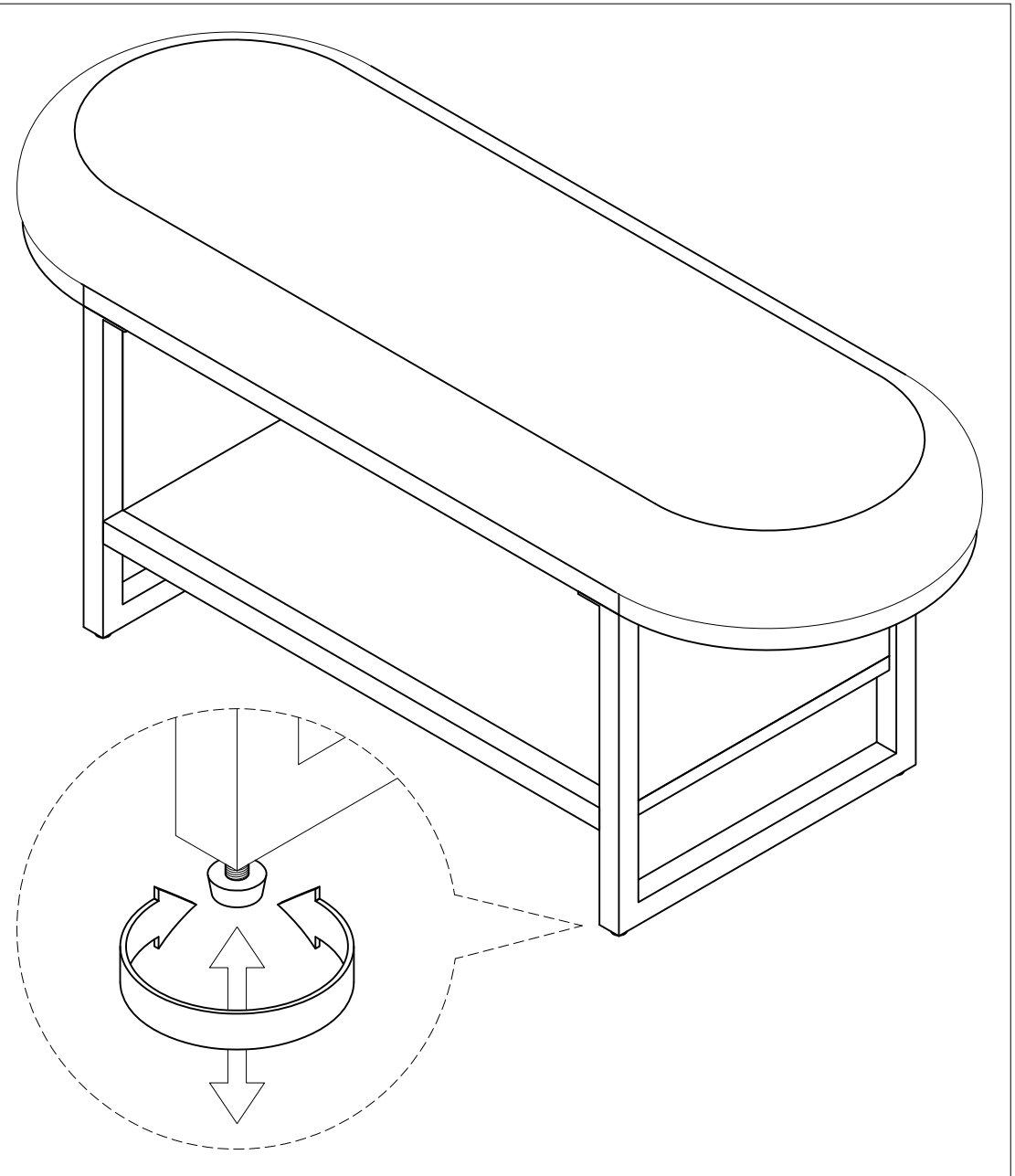
**STEP 4** ATTACH LEG FRAMES (C) TO UNIT USING BOLTS (HW1) AND SPRING WASHERS (HW7). TIGHTEN BOLTS USING ALLEN KEY (HW8).



**STEP 5** ATTACH ROUND HEAD SCREWS 16 MM (HW3) TO UNIT.



**STEP 6** ATTACH UNIT TO CUSHION (A) USING BOLTS (HW1). TIGHTEN BOLTS USING ALLEN KEY (HW8).



**STEP 7** ADJUST THE ADJUSTER BOLT THAT HAS ALREADY ASSEMBLED TO THE LEGS TO STABILIZE YOUR UNIT.