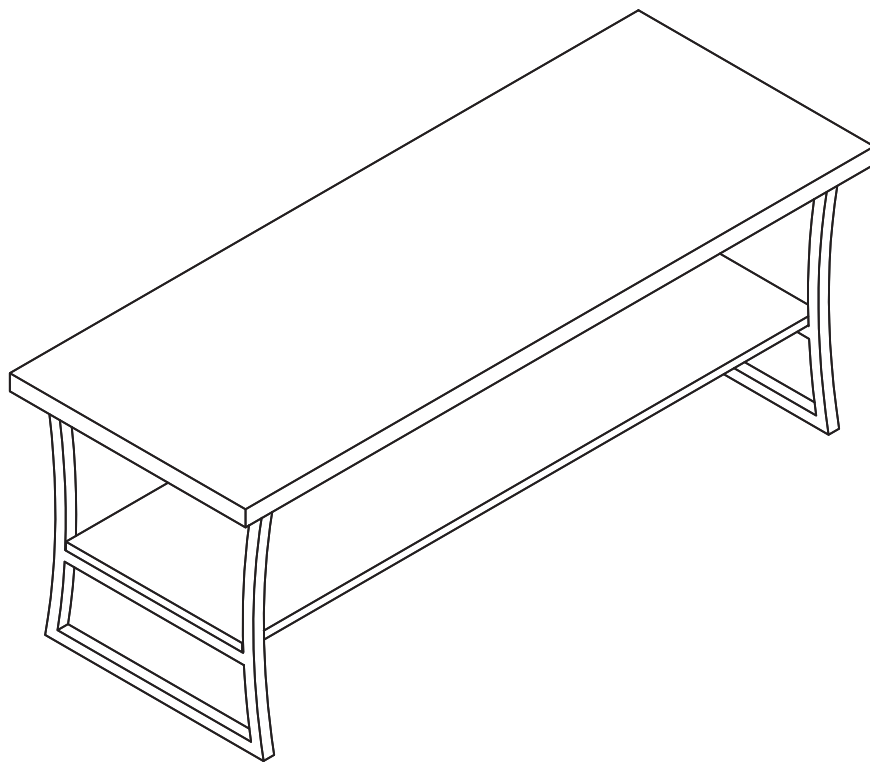


# COFFEE TABLE



## ASSEMBLY INSTRUCTIONS

---



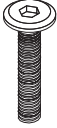
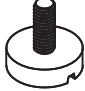


We have designed our furniture with you , the customer in mind . Our clear , easy to follow , step by step instructions will guide you through the project from start to finish . Feel confident that this will be a fun and rewarding project . The final product will be a quality piece of furniture that will go together smoothly and give years of enjoyment .

---

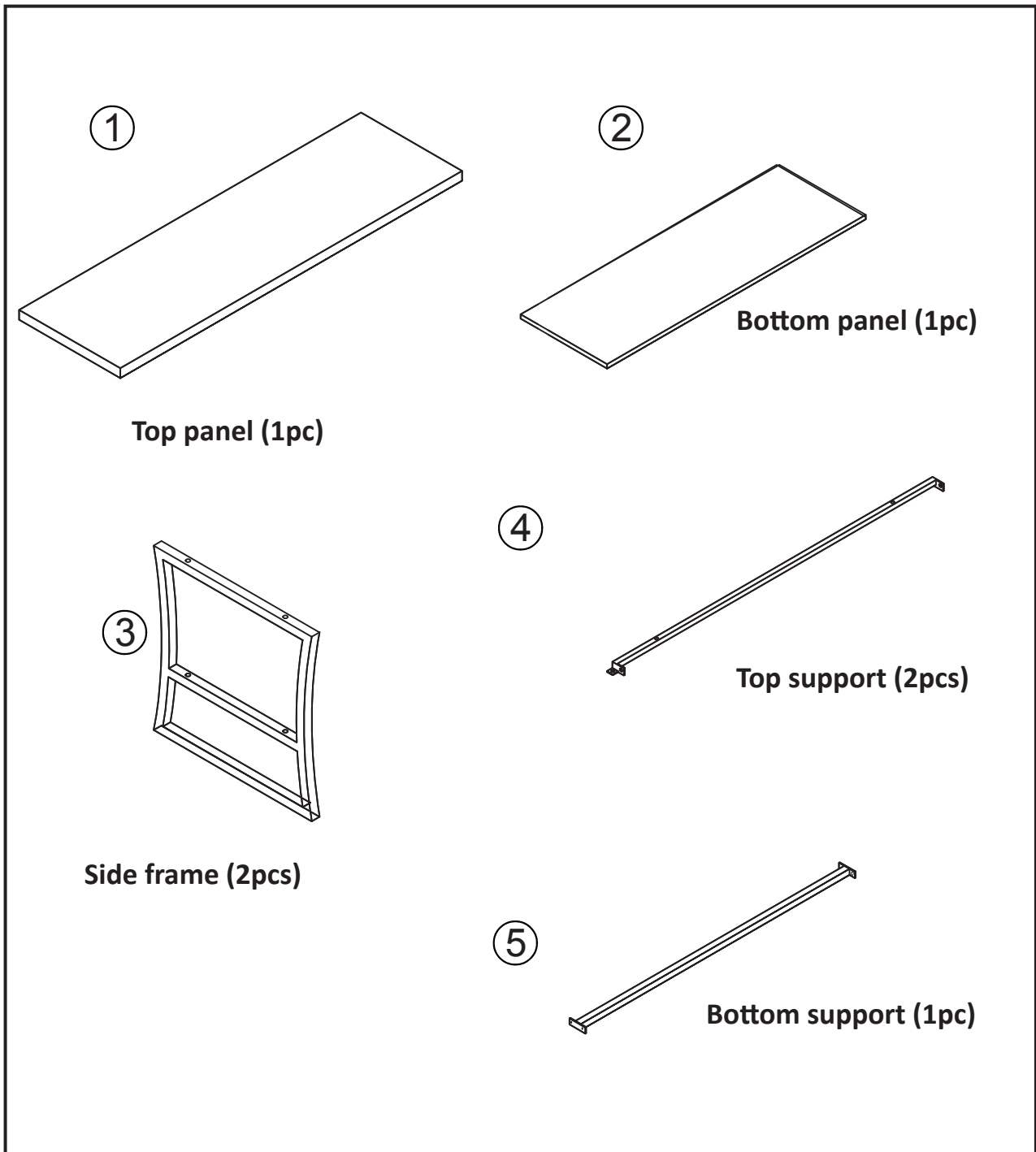


Please do not return to the store  
Broken or missing parts?  
Need help with assembly?

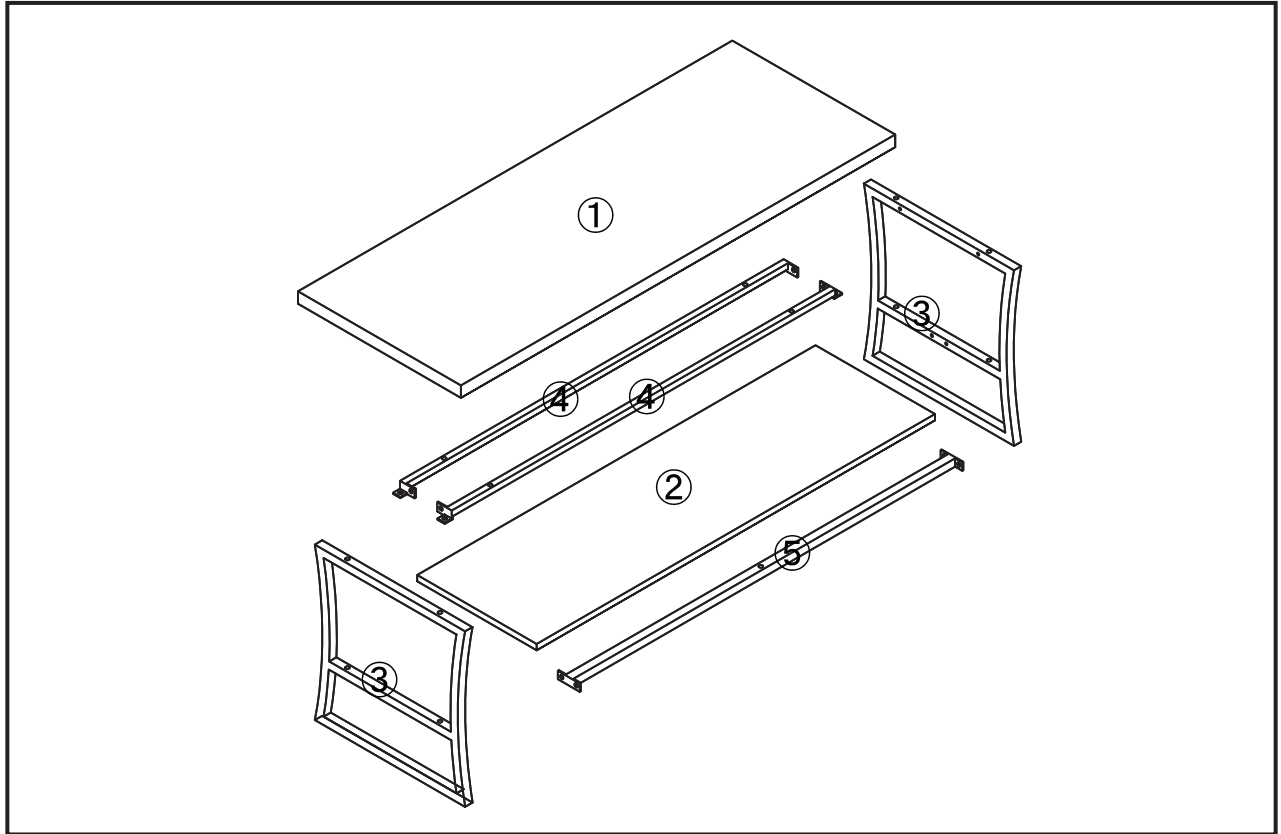
## Hardware List

<b>A</b> 	<b>B</b> 	<b>G</b> 	<b>D</b> 	<b>E</b> 	<b>F</b> 
Short screw ( 8 pcs )	Medium screw ( 4 pcs )	Long screw ( 4pcs )	Plastic foot (4pcs)	Allen wrench ( 1pc )	Screw ( 5pcs )

## Panel List

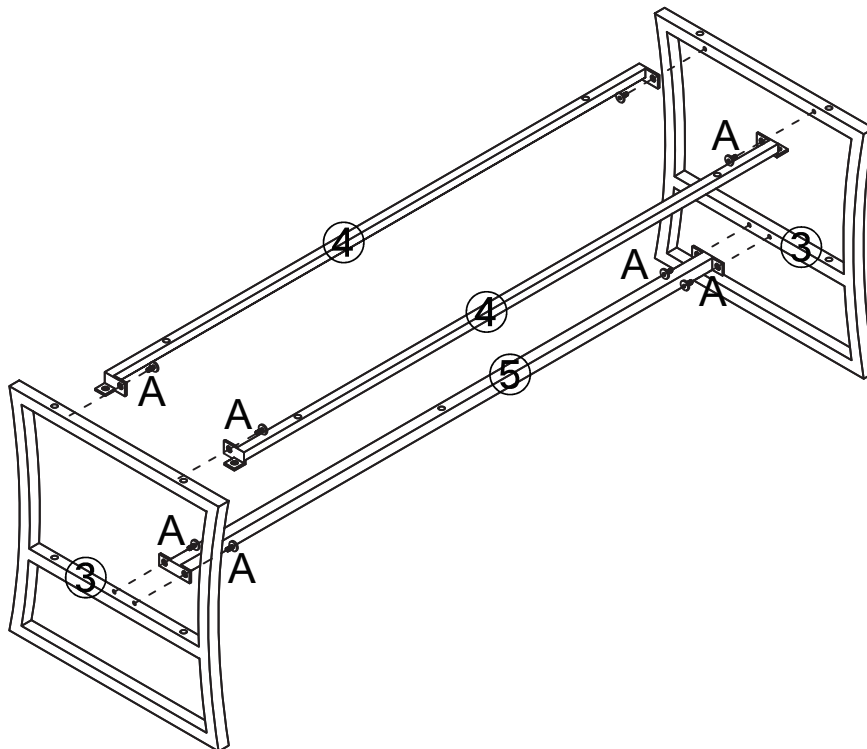


## Exploded Views



### Step 1

1. Connect side frames (3) to top and bottom supports (4) & (5), as shown, using short screws (A) and allen wrench (E).



x8

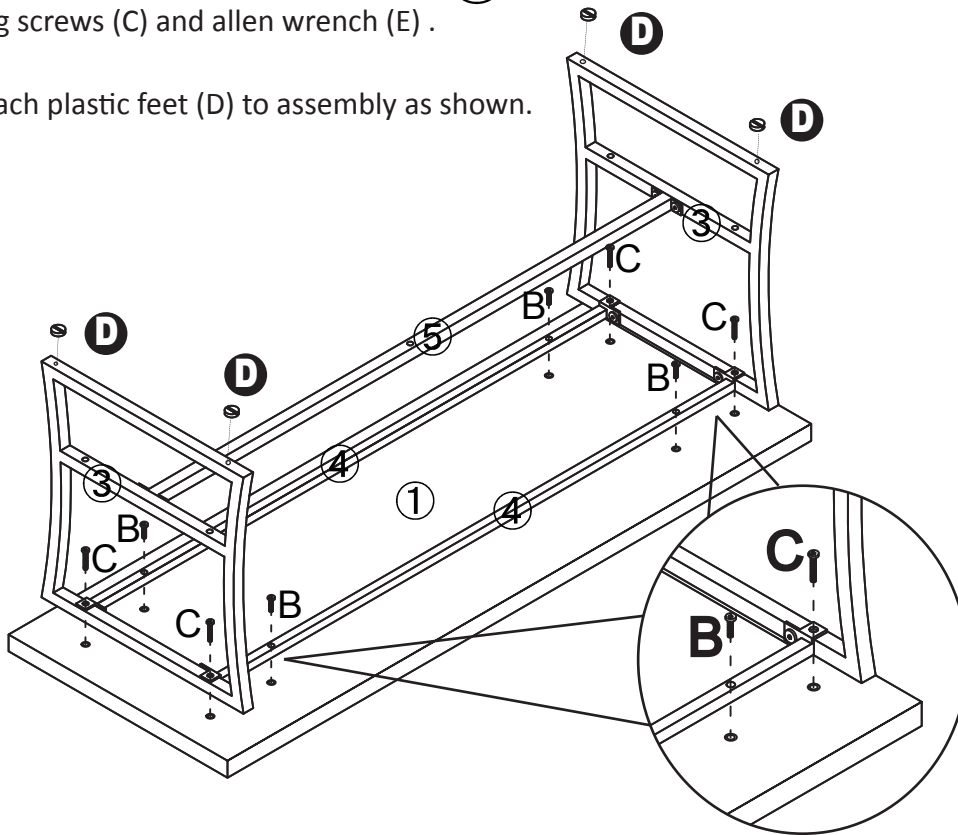


x1

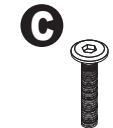
## Step 2

\* Place top panel ① upside down on carpet or other soft surface .\*

1. Connect frame assembly to top panel ① using medium screws (B), long screws (C) and allen wrench (E) .
2. Attach plastic feet (D) to assembly as shown.



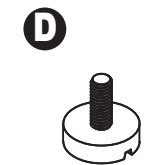
x4



x4



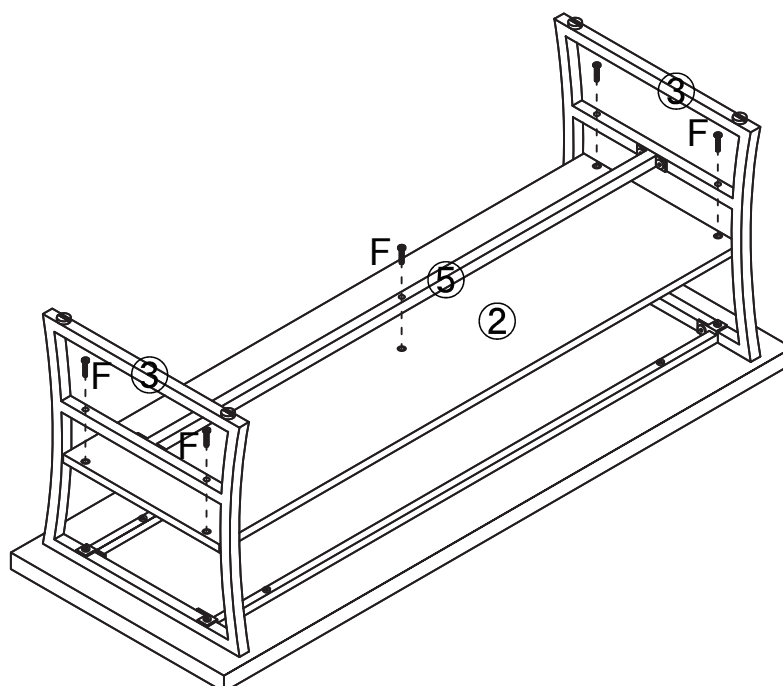
x1



x4

## Step 3

1. Connect bottom panel ② to assembly using screws (F) and allen wrench (E) .



x5



x1