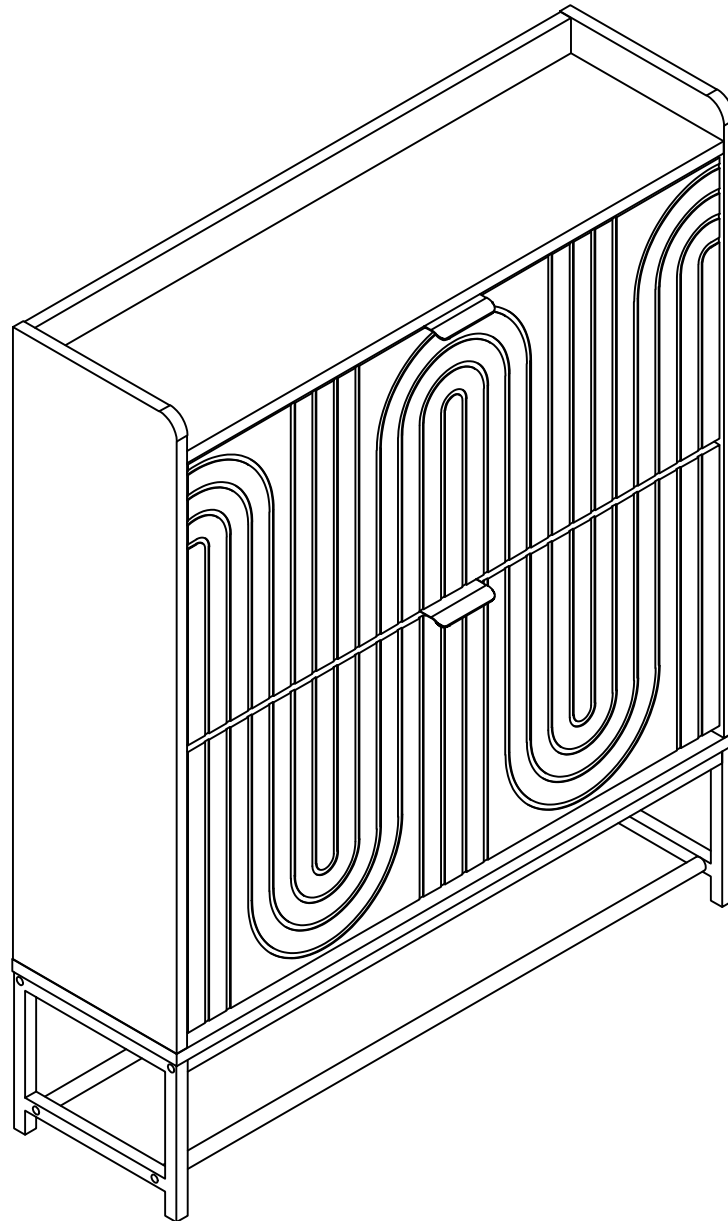


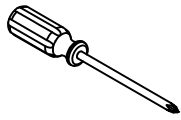
Installation Instruction



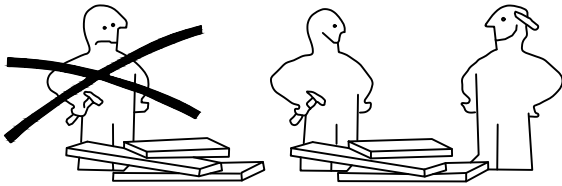
Assembling

What you need

- Use the packaging carton as a working surface to prevent product damage during assembly
- Phillips head screwdriver



Weight Limitation

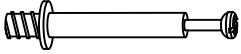


What' included

Code	Description	Qty
A	Cam Bolt M6X35MM	10
B	Cam Lock 15X12MM	10
C	Wooden Dowel M7.8X30MM	10
D	Screw M4X40MM	9
E	The screw M3.5X16MM	26
F	Hole position sticker	10
G	Stopper	4
H	External Shaft	4
I	The screw M6X35MM	8
J	Metal connector	2
K	Screw M3.0X14MM	4
L	Left Plastic Holder	2
M	Metal shake handhandle	2
N	The screw M6X15MM	4
O	The screw M6X25MM	8
P	Anchor	2
Q	Wrench M4X55MM	1
R	Right Plastic Holder	2

The Hardwares

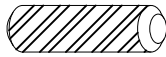
A



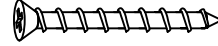
B



C



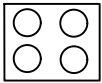
D



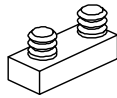
E



F



G



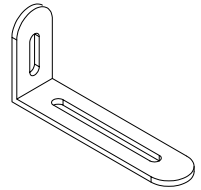
H



I



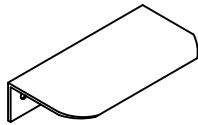
J



K



M



N



O



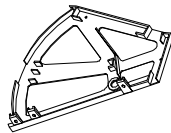
P



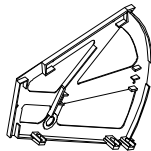
Q



L



R



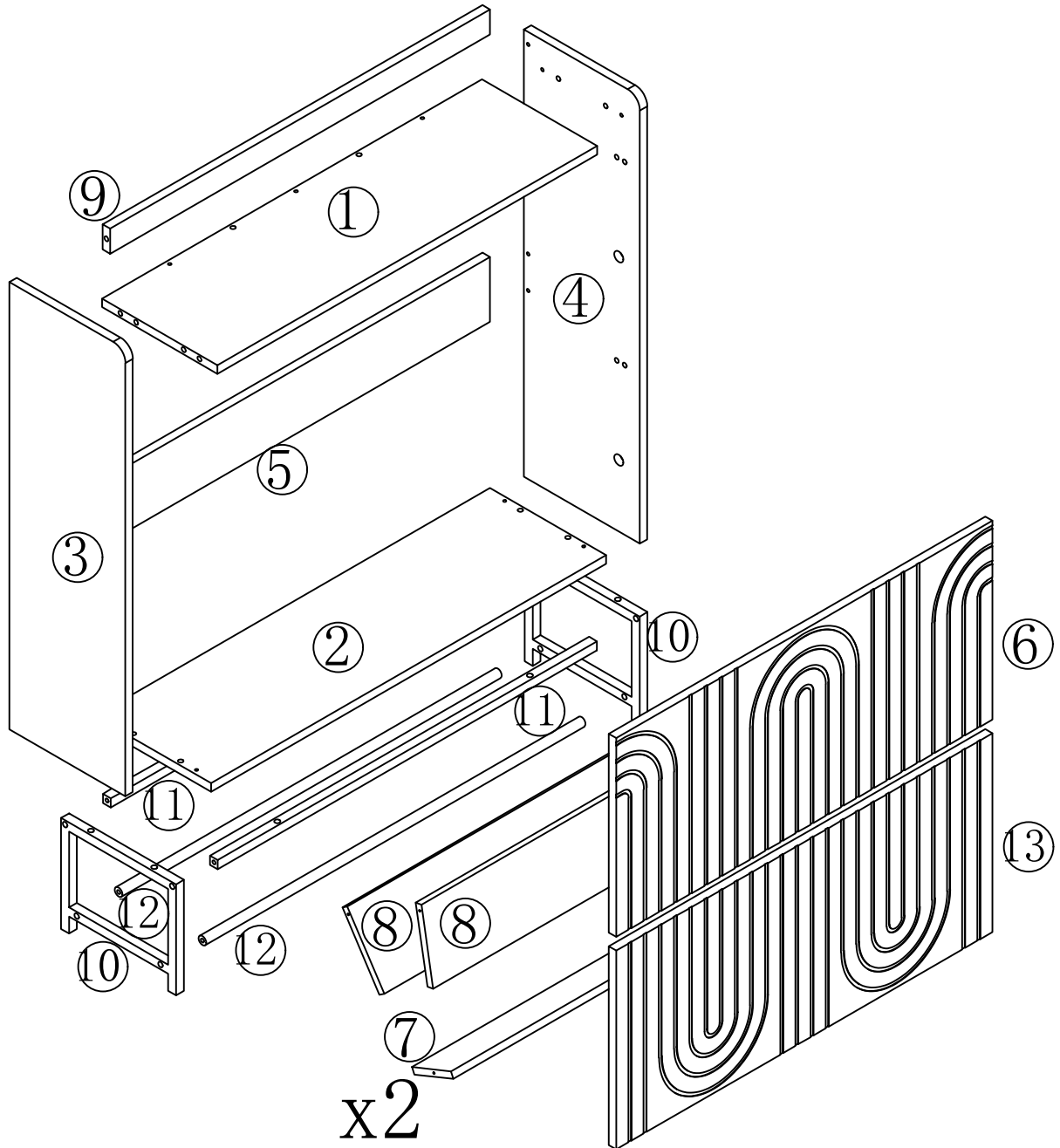
IMPORTANT:

1. Do not tighten bolts / screws completely until all bolts / screws are lined up and inserted into holes.
2. Do not over tighten screws and bolts to avoid stripping
3. Please use hand tools to assemble this product, you can also use power tools (please use power tools carefully).

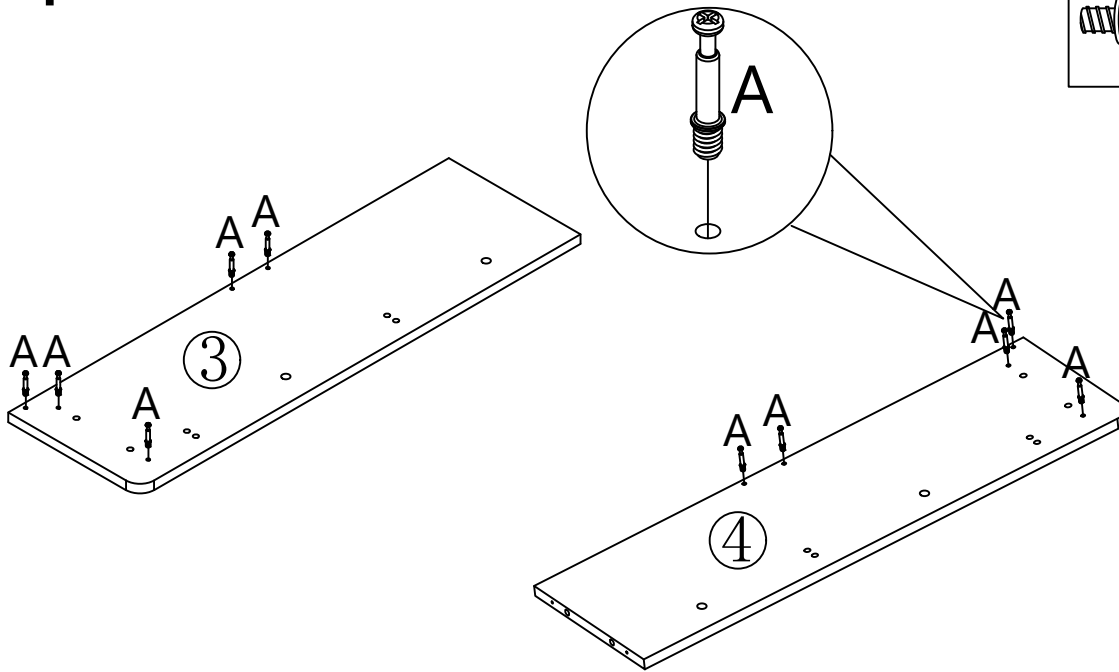
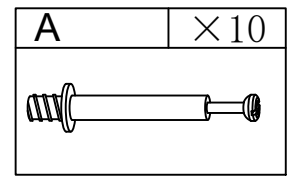
Included Accessories

Code	Description	Qty
1	Cabinet Top	1
2	Bottom Panel	1
3	Left Side Panel	1
4	Right Side Panel	1
5	Back stiffener	1
6	Door board	1
7	Inner lamella	2
8	Large inner plate	4
9	Back top plate	1
10	Left and right metal legs	2
11	Upper metal connecting rod	2
12	Lower metal connecting rod	2
13	Lower door panel	1

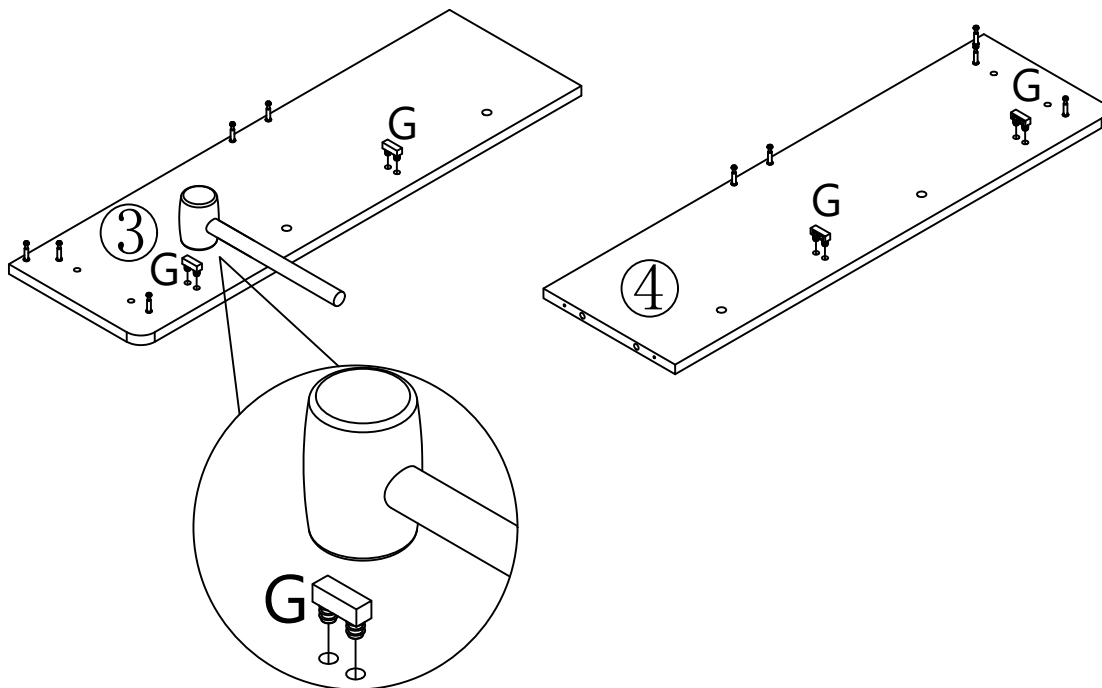
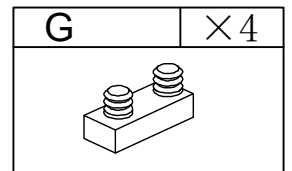
The Accessoriess



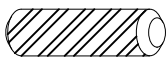
Step 1

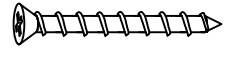


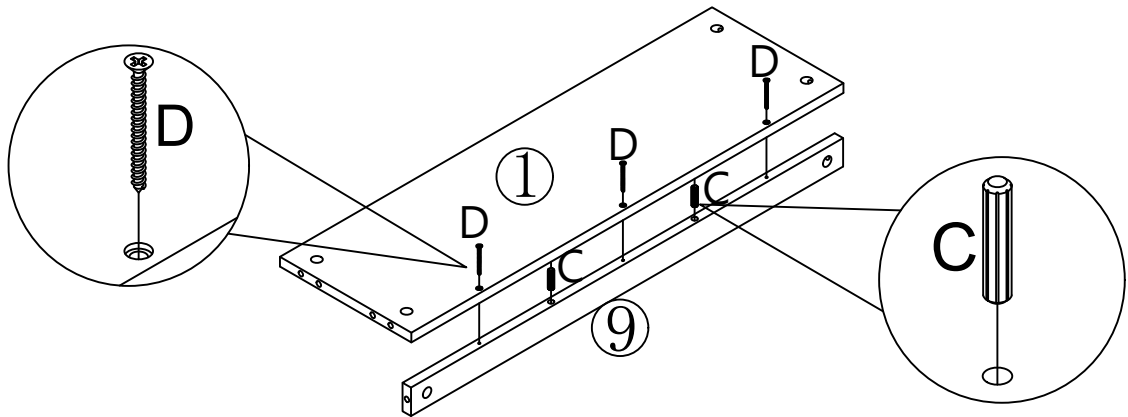
Step 2



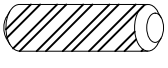
Step 3

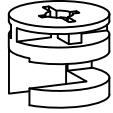
C	×2
	

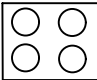
D	×3
	

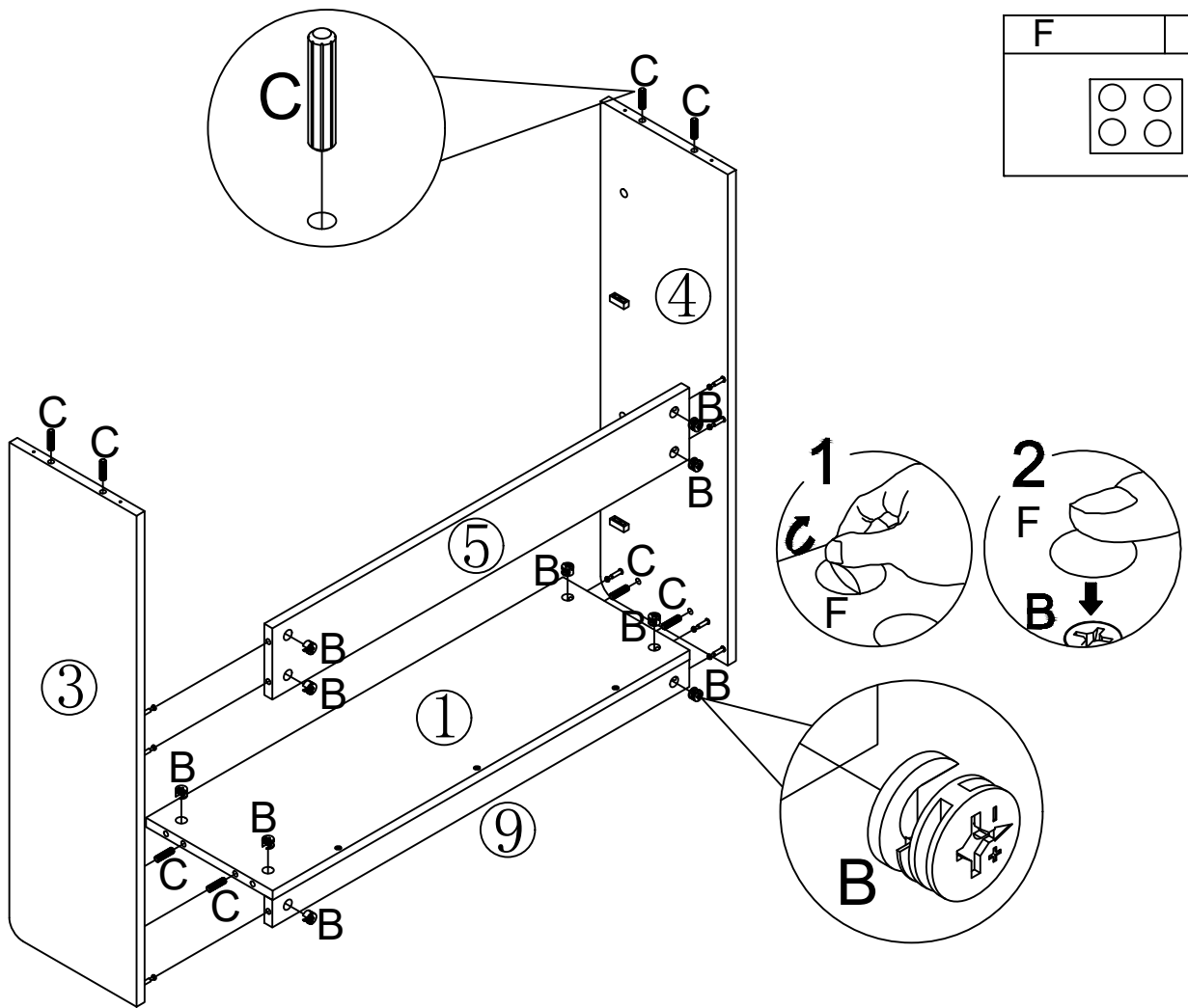


Step 4

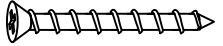
C	×8
	

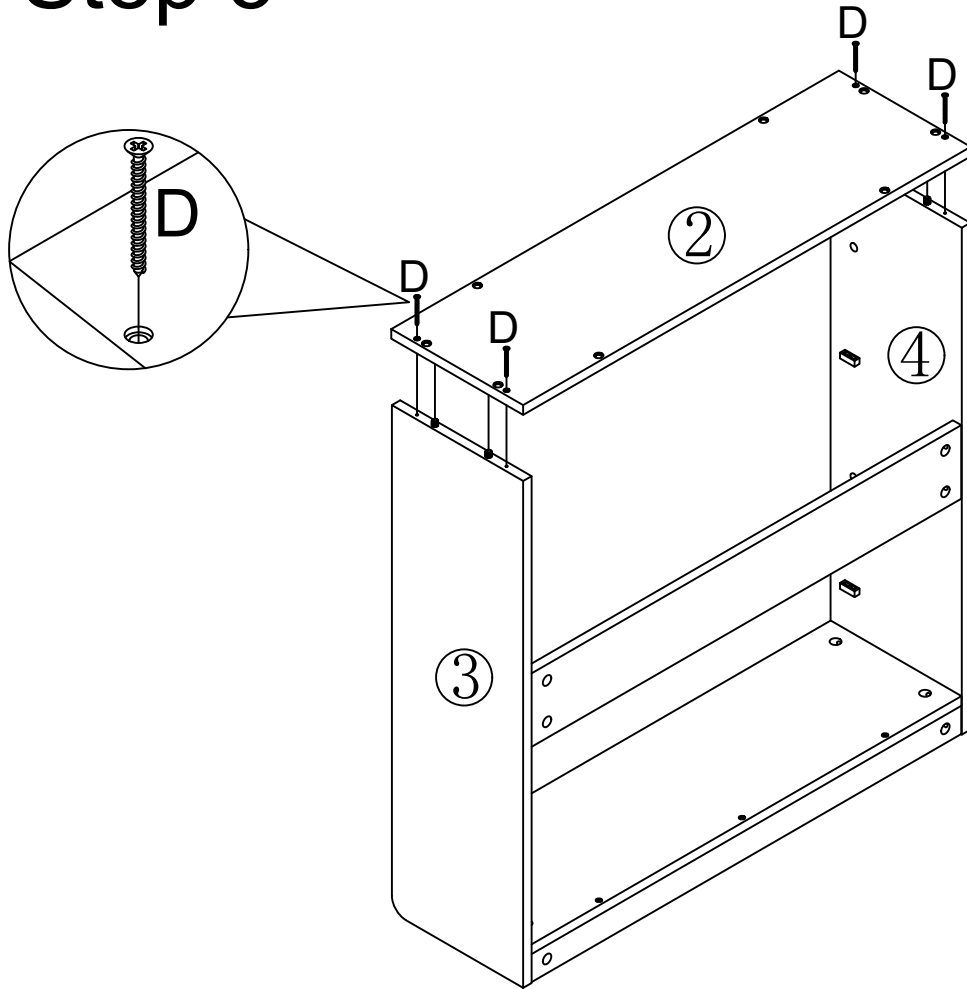
B	×10
	

F	×10
	





Step 5

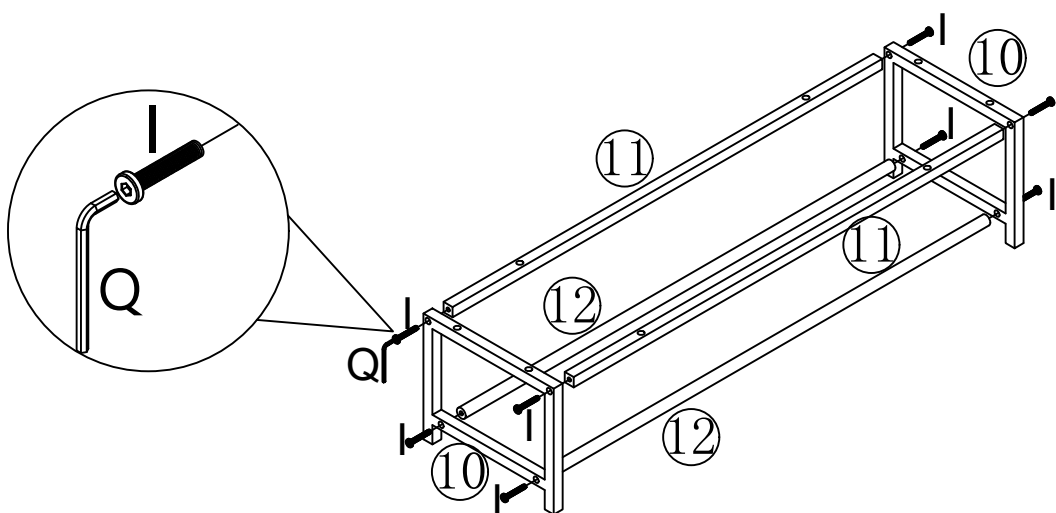
D	×4
	



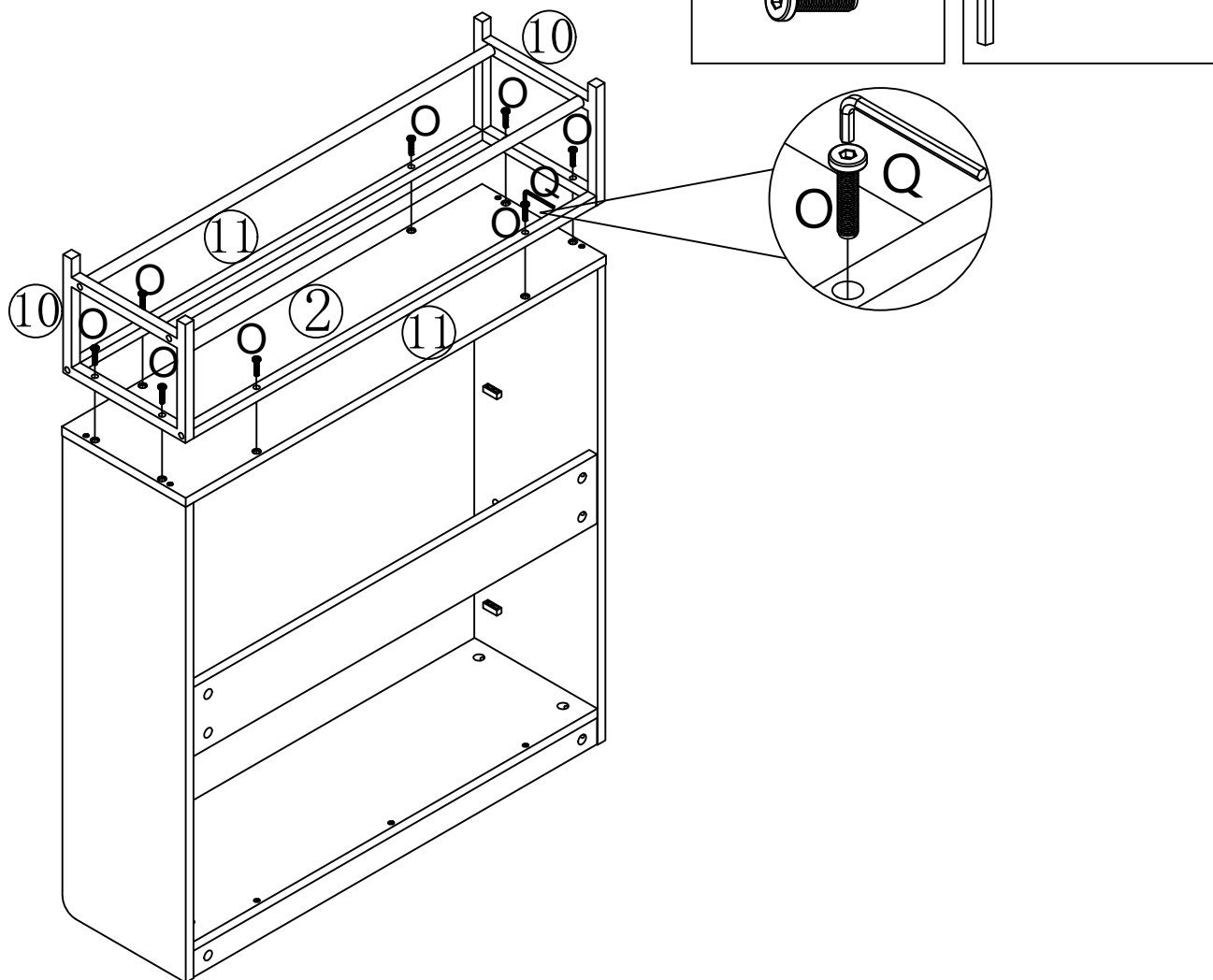
Step 6

I	×8
	

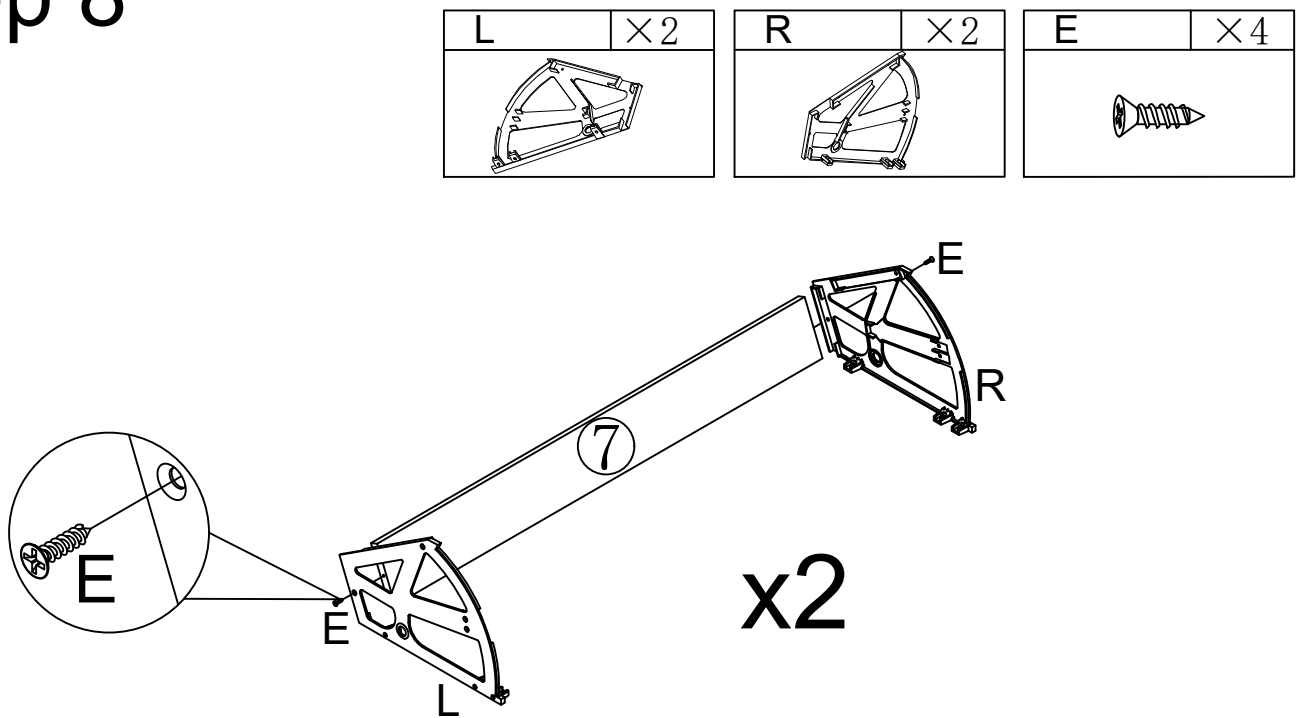
Q	×1
	



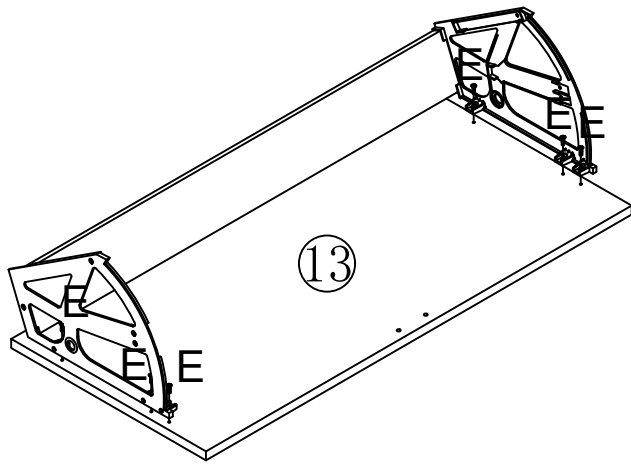
Step 7



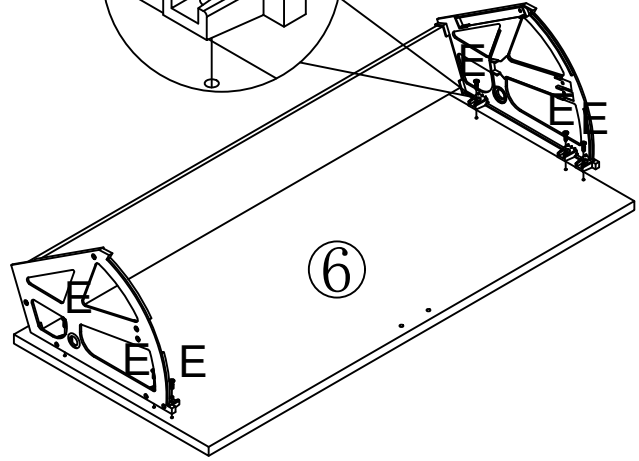
Step 8



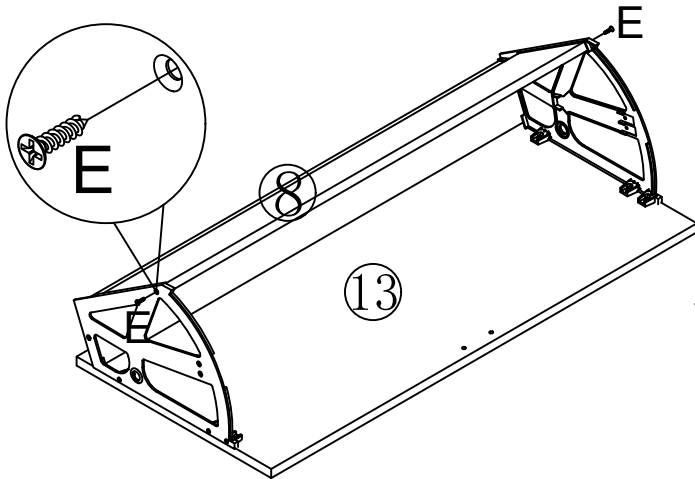
Step 9



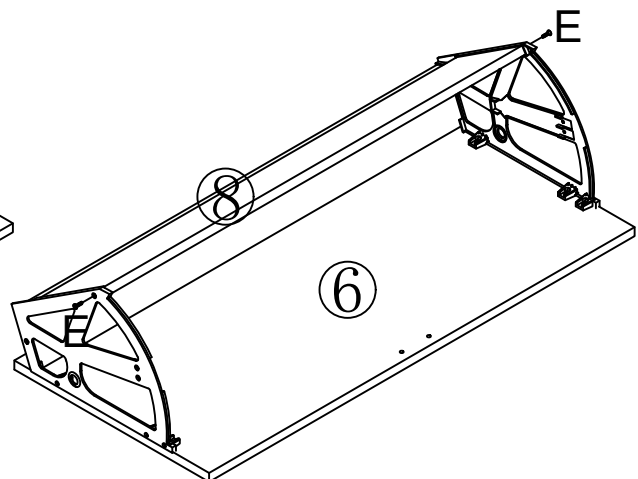
E	×12



Step 10



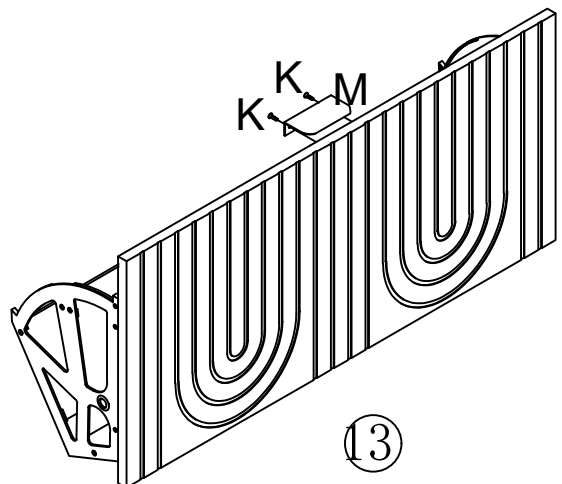
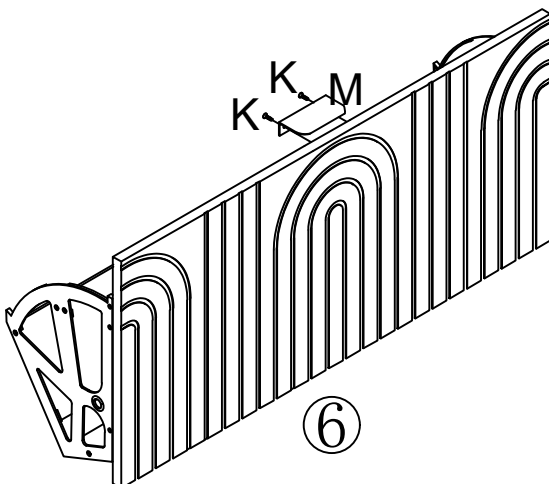
E	×4



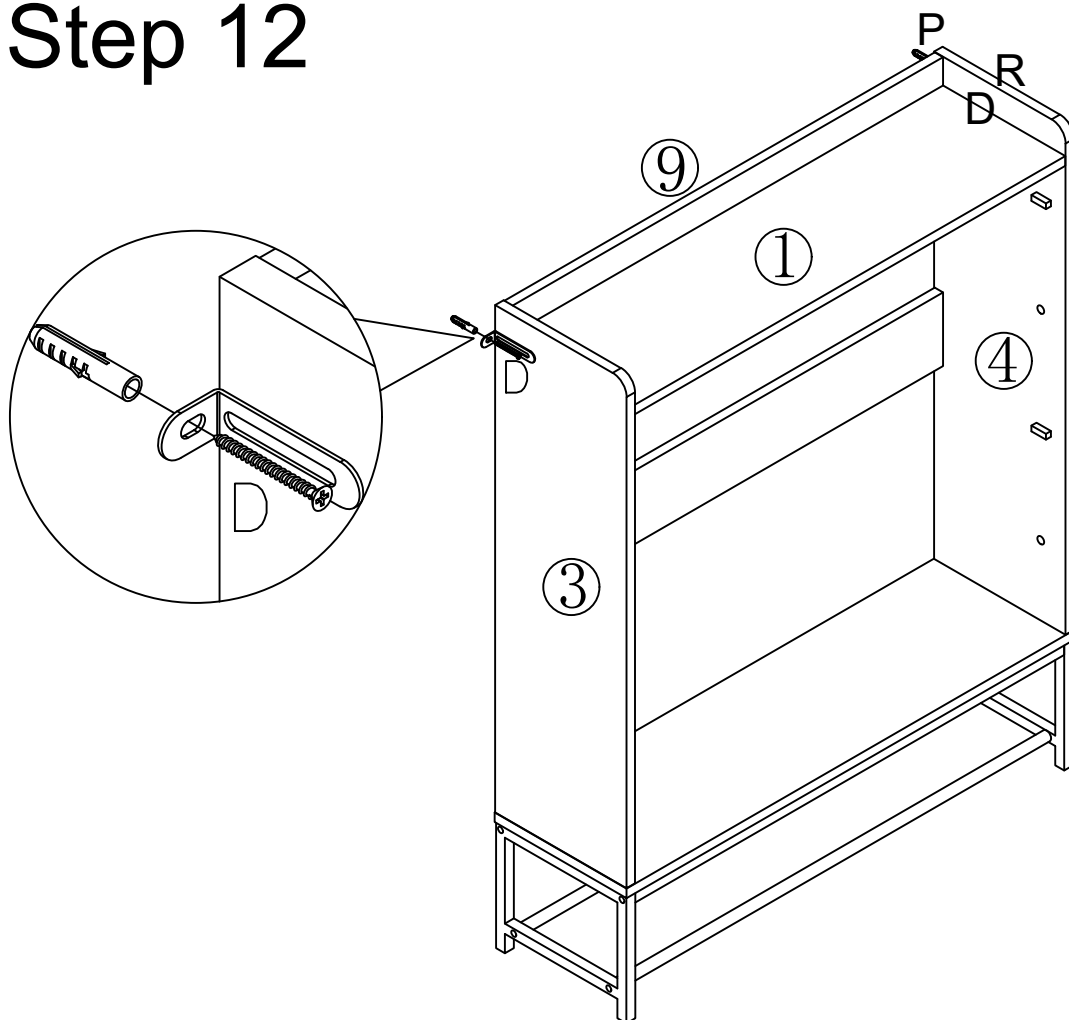
Step 11

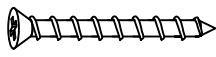

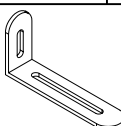
K	×4

M	×2

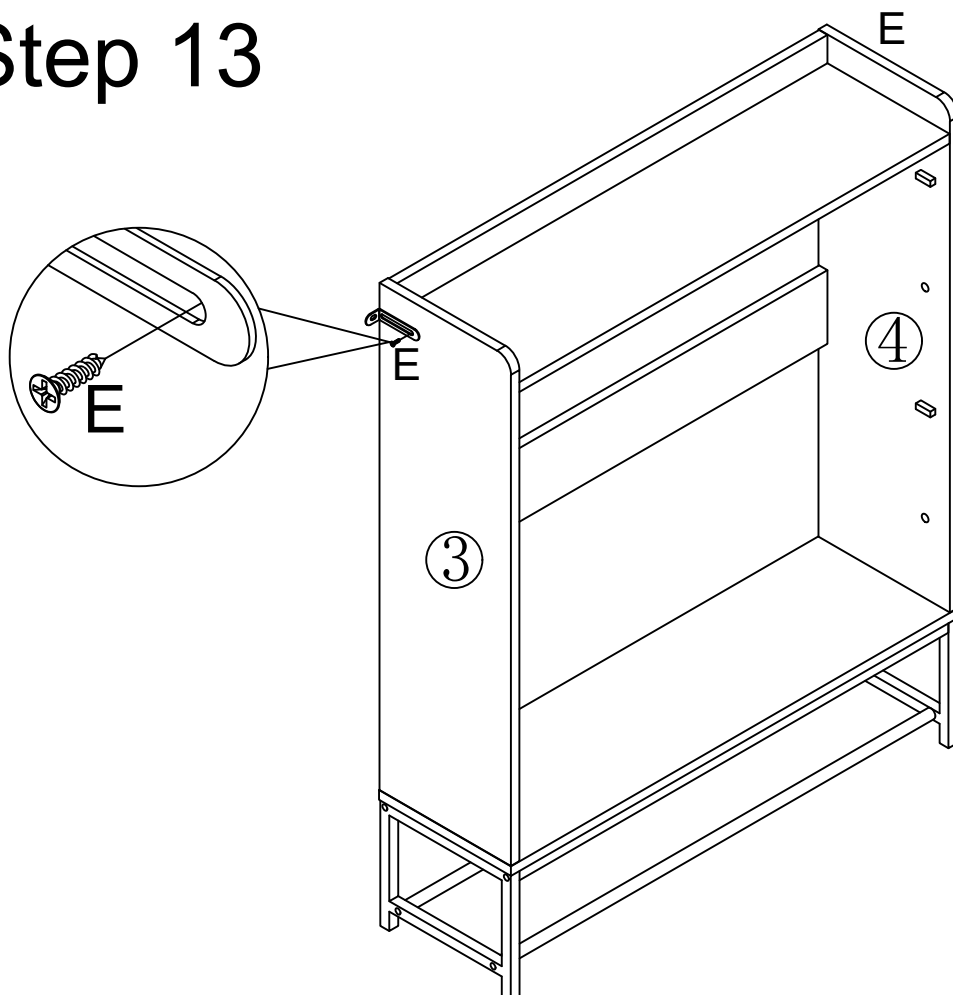



Step 12



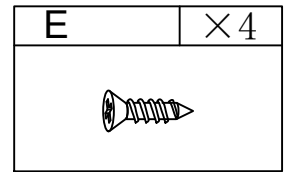
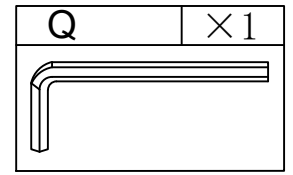
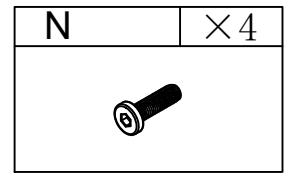
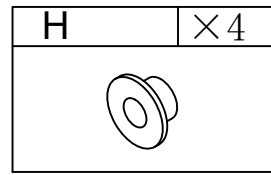
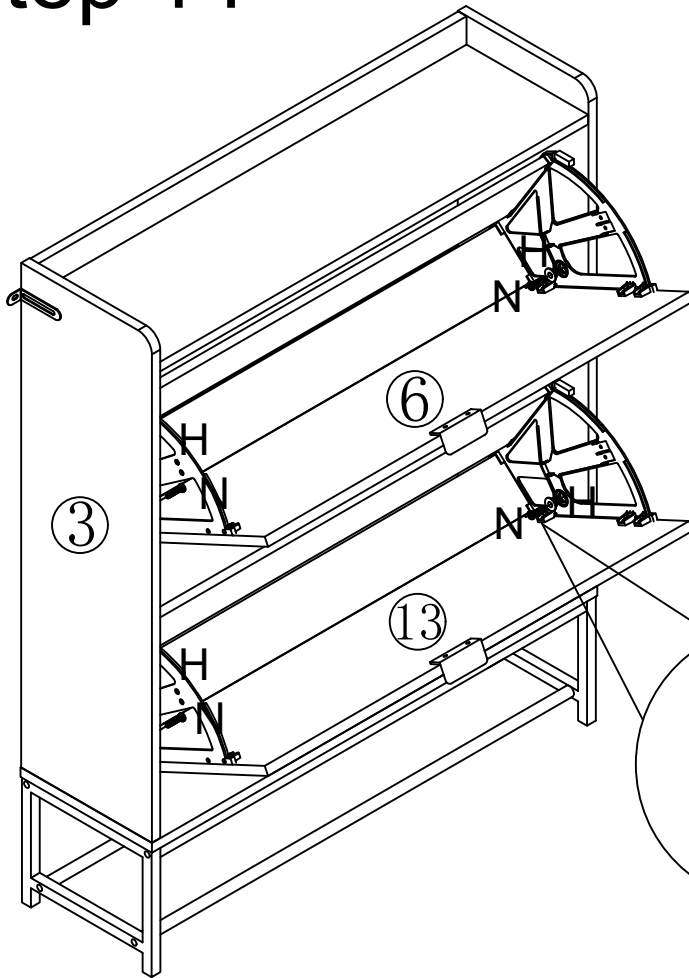
D	×2
	
P	×2
	
R	×2
	

Step 13



E	×2
	

Step 14



Step 15

