




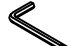
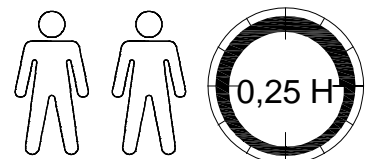
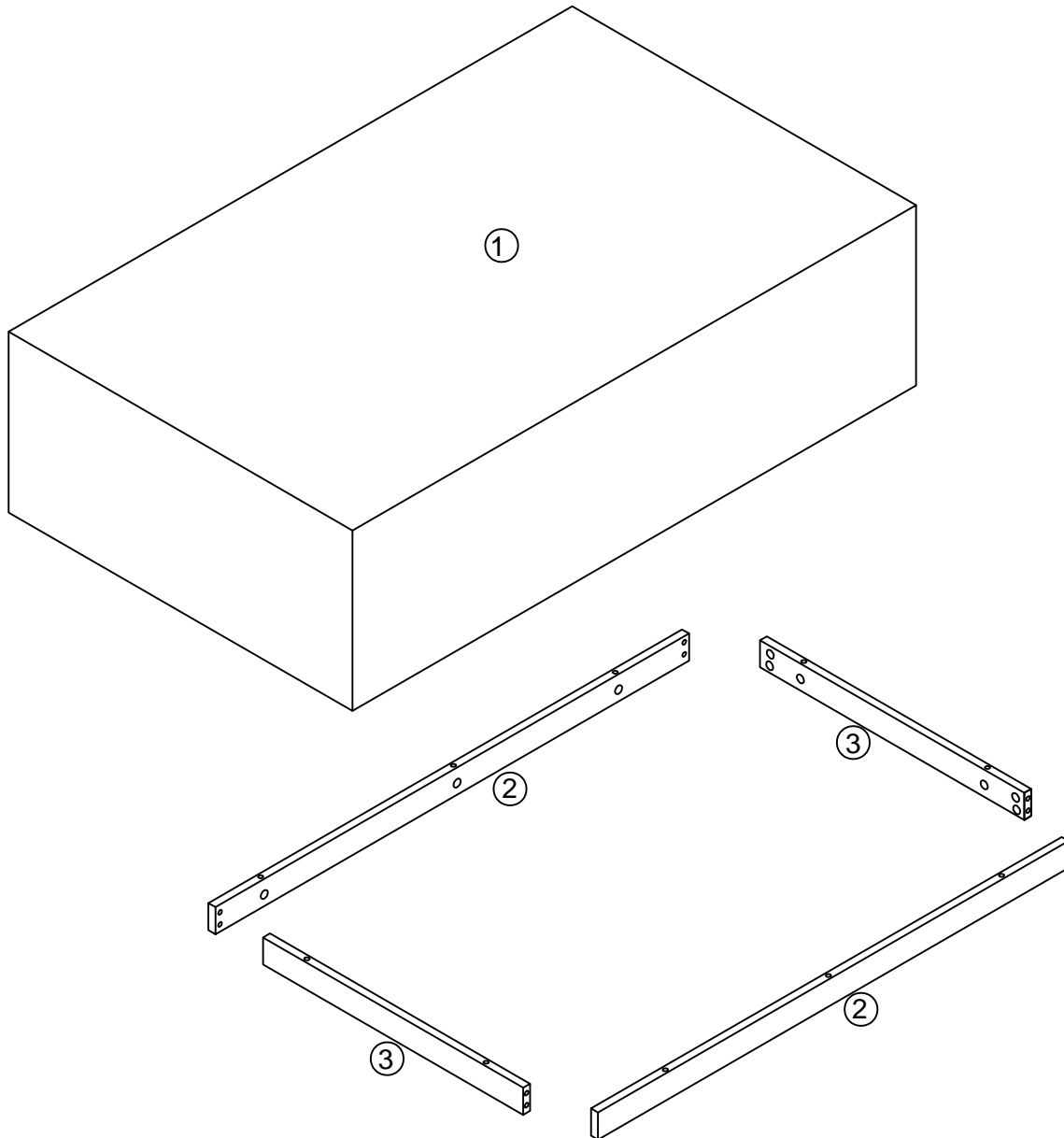
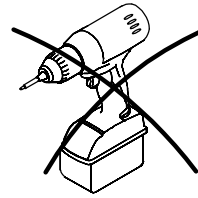
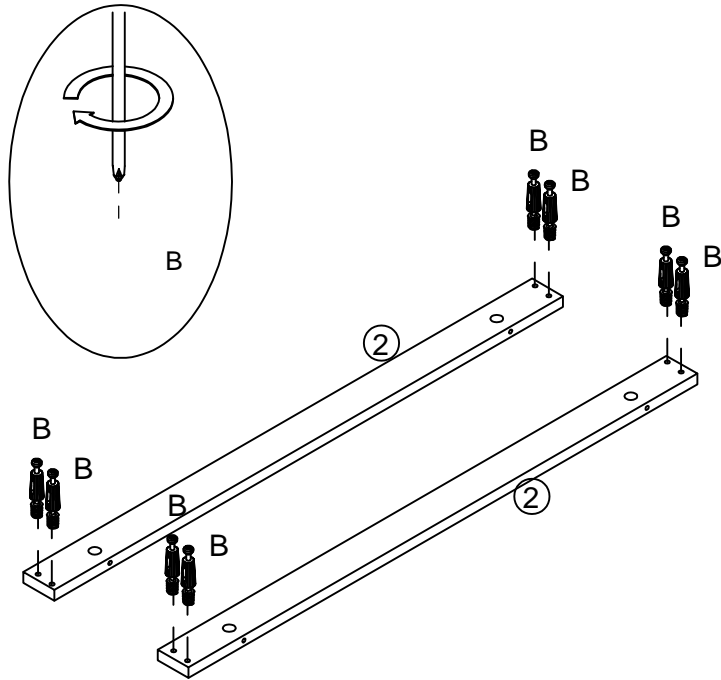
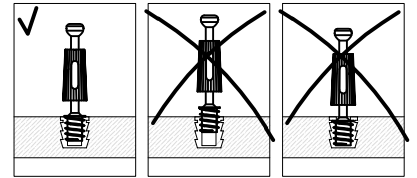
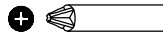
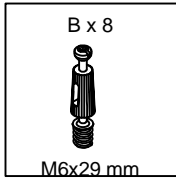


PartsList			
Item	Description	Part	Qty Pcs
1	Top Frame	 1200x750x290	1
2	Front apron	 1040x60x18	2
3	Left apron	 630x60x18	2

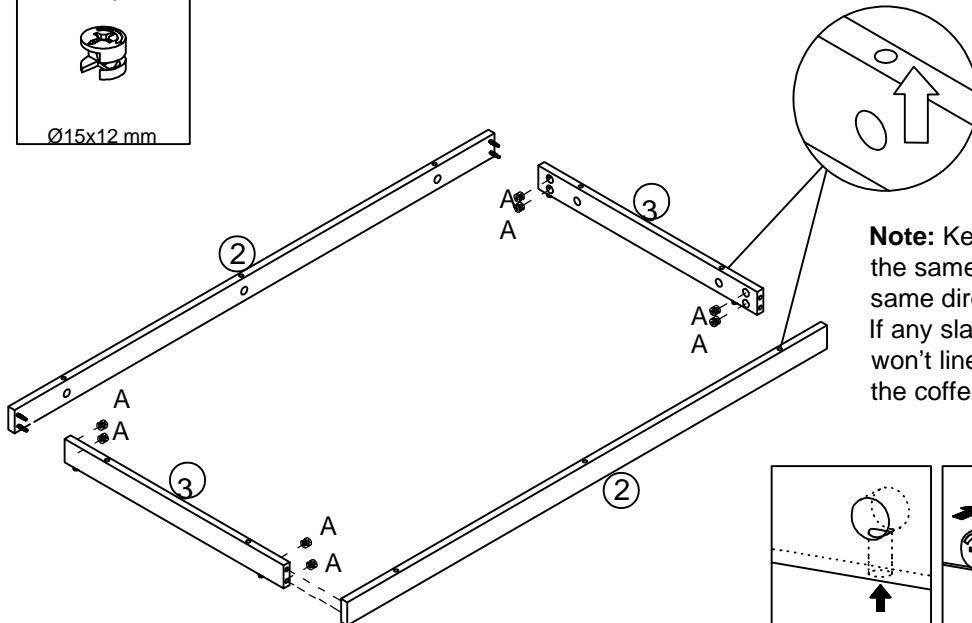
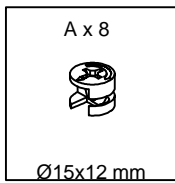
HardwareList			
Item	Description	Part	Qty Pcs
A	Cam lock	 Ø15x12 mm	18
B	Cam lock bolt	 M6x29 mm	18
C	Allen Wrench		1



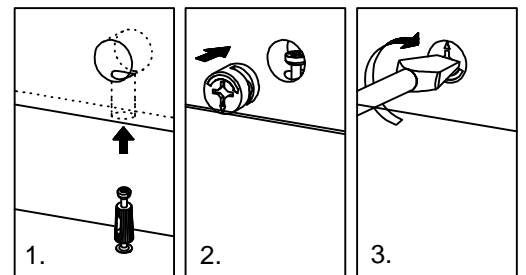
1



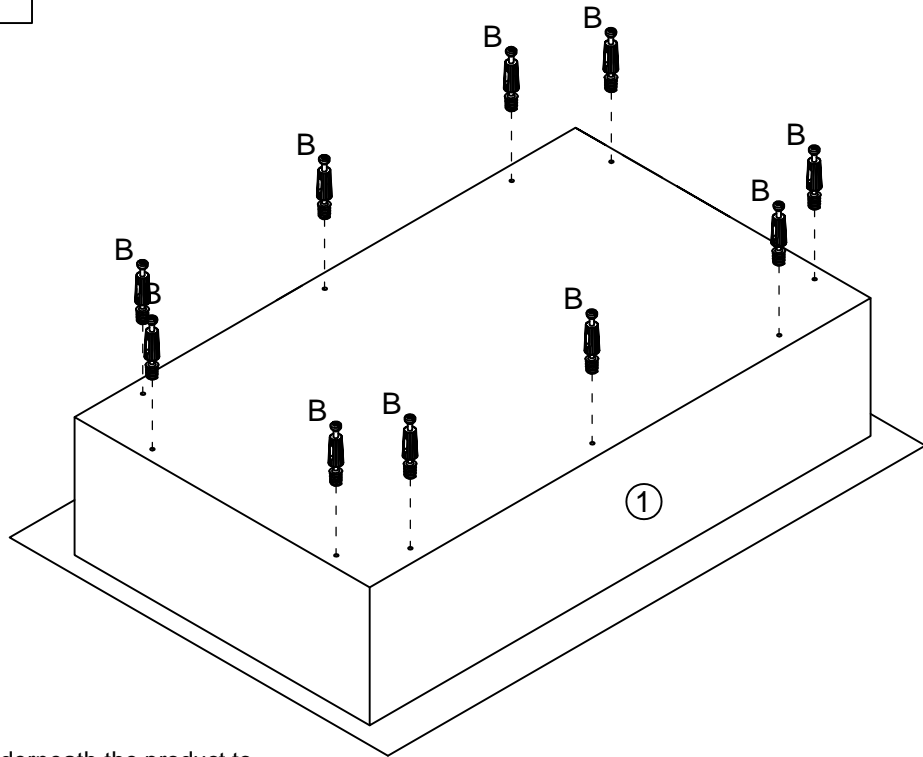
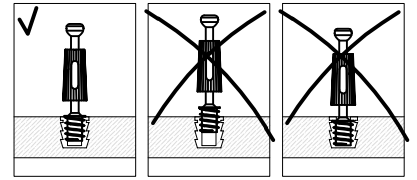
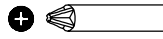
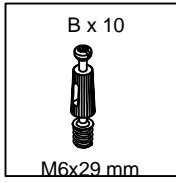
2



Note: Keep all pre-drilled holes on the same face and facing the same direction. If any slat is flipped, the frame won't line up when mounting to the coffee table.

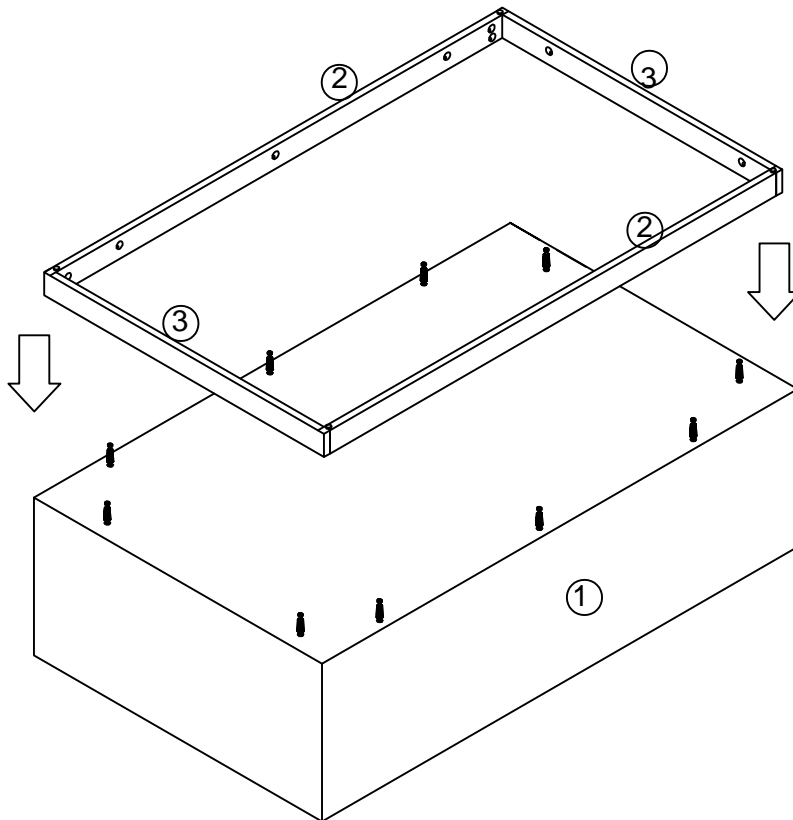


3

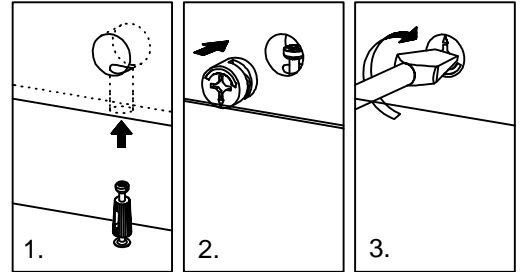
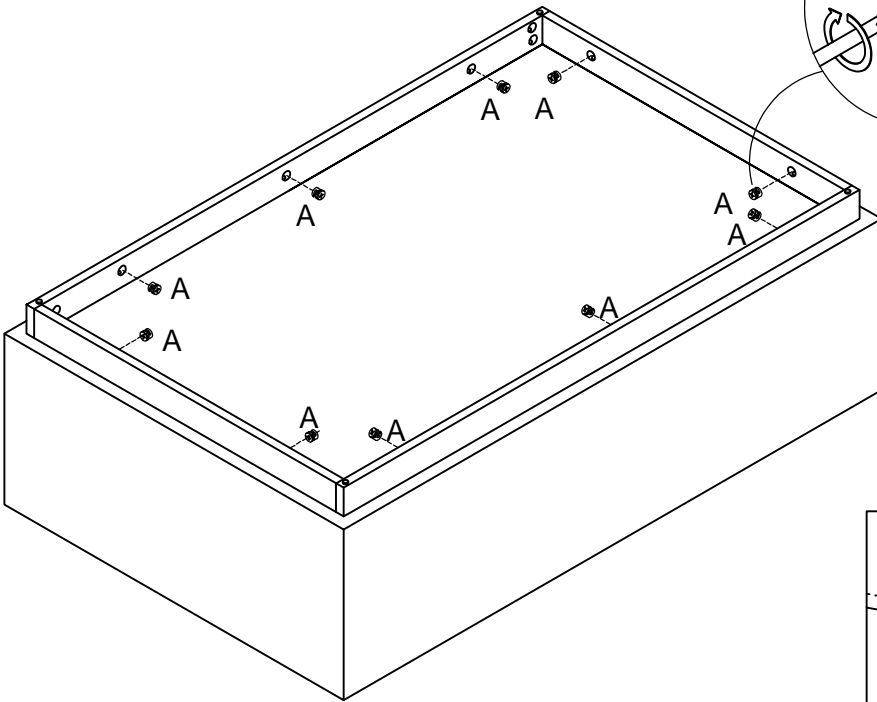
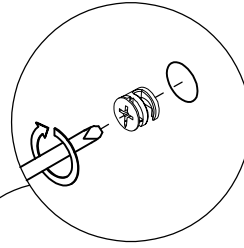
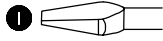
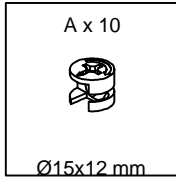


Place EPS or blankets underneath the product to prevent damage to the mirror surface
Two people work together to lift the top and slowly flip it over

4



5



6

