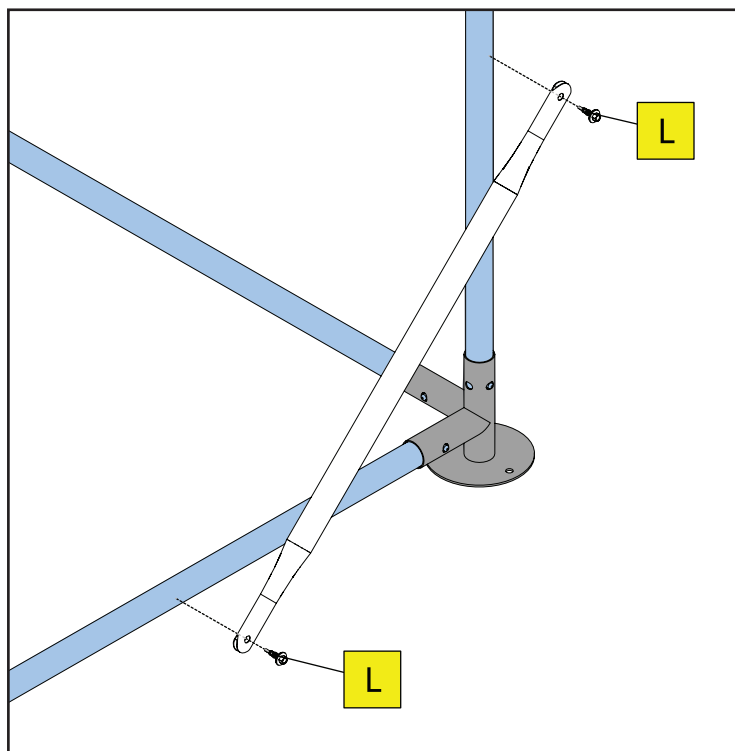
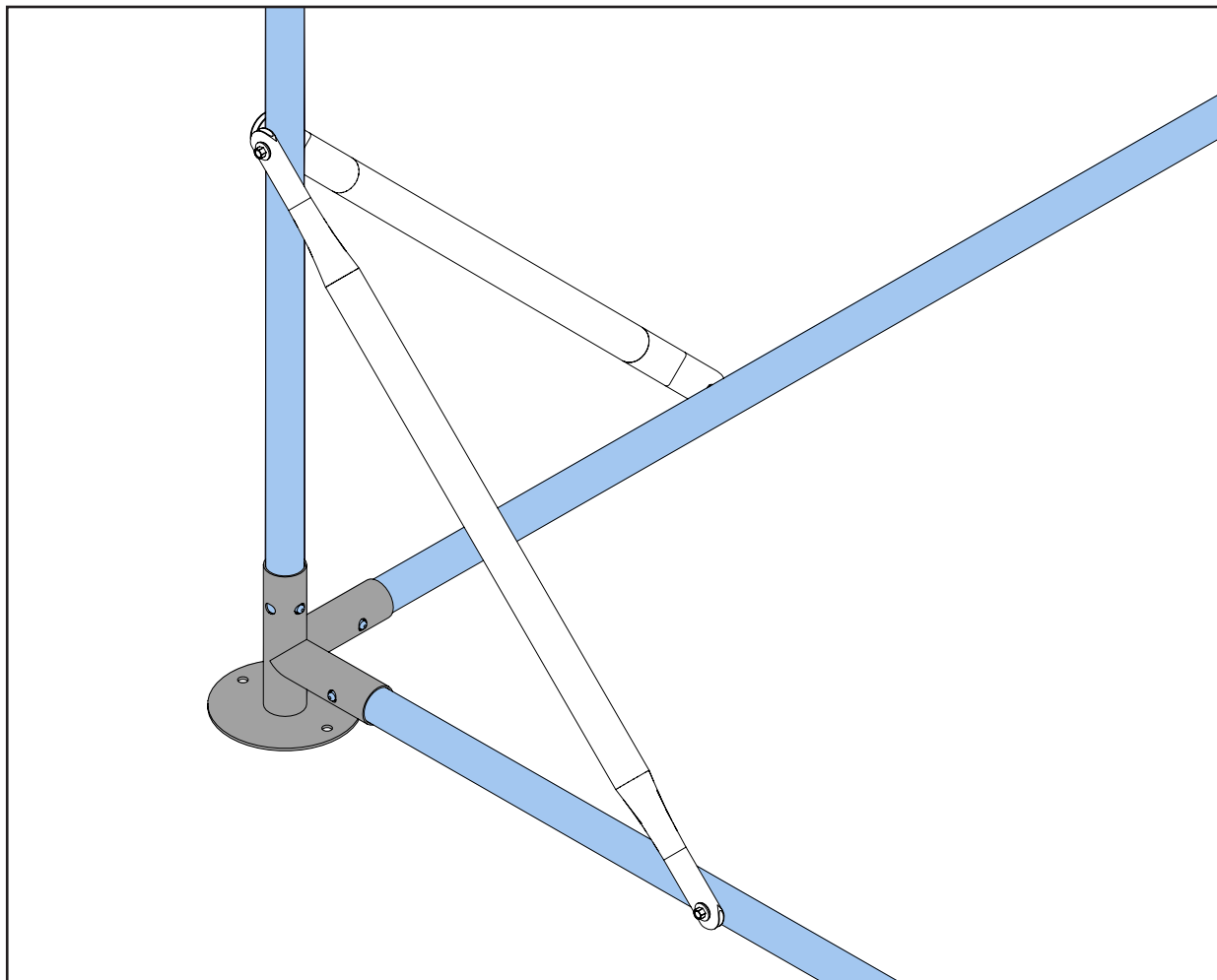


## Additional Step

Part	Qty
Tube Brace	8
L	16



### Note

For this step you will need a power tool to drive L into the tubes. Notice that you will not find predrilled holes on the tubes for L.

Do not worry too much about pinpointing the exact location for the tube brace. The location contributes little to the overall stability of this product.

There are 8 sets of tube braces in the package, two for each corner.