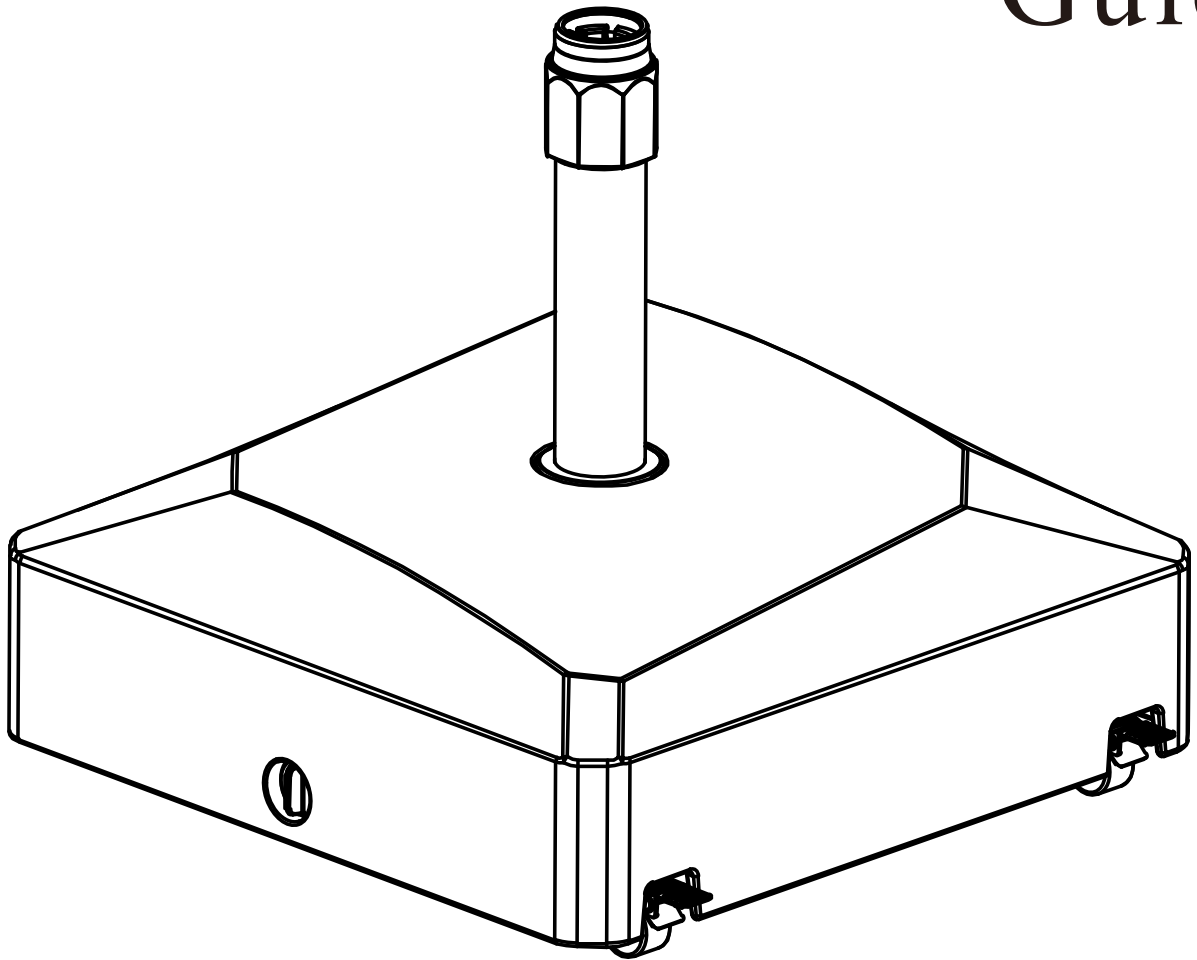


Assembly & Instruction Manual

Umbrella Base

Installation

Guide




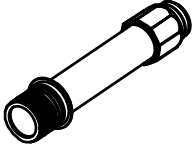
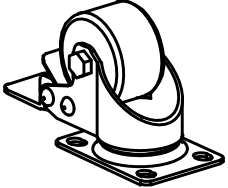
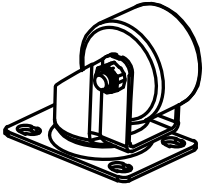
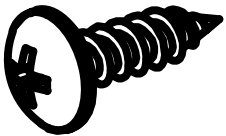
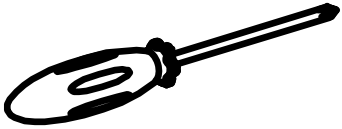
Approximate
assembly time: **30 Minutes**

People
for assembly:



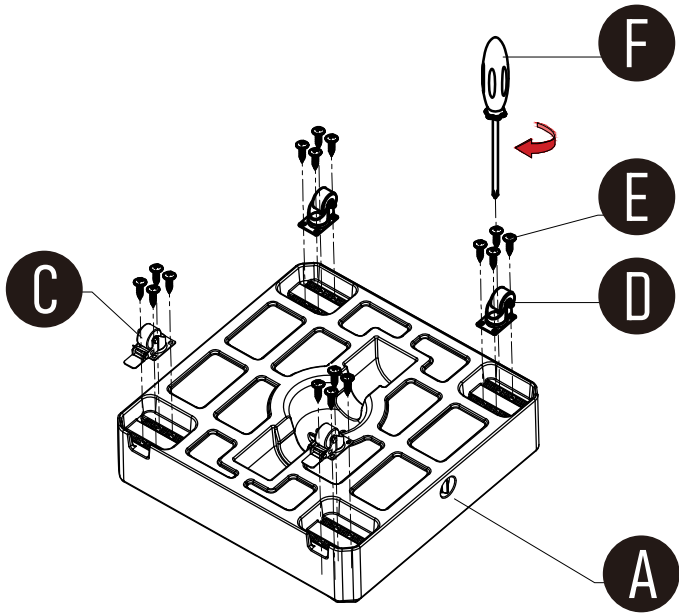
Save this manual for future reference

PARTS LIST

Parts	Component	QTY	Ref No
A		1	8A520-A320-001
B		1	8A520-A320-002
C		2	8A520-A320-003
D		2	8A520-A320-004
E		16	8A520-A320-005
F		1	8A520-A320-006

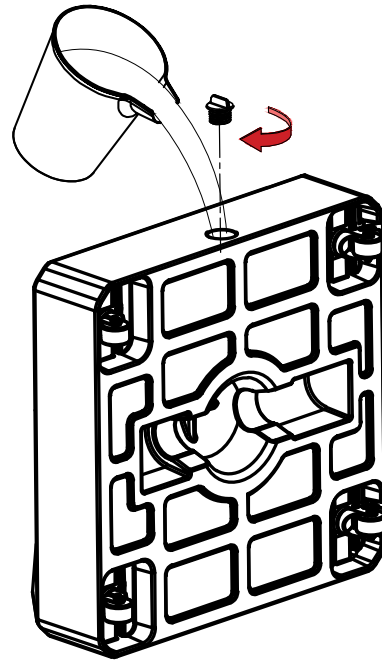
Assembly

1

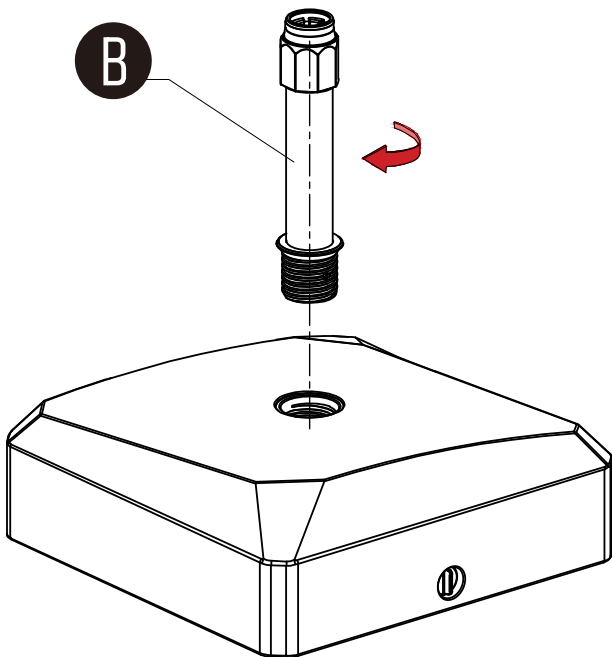


2

Fill with water or sand

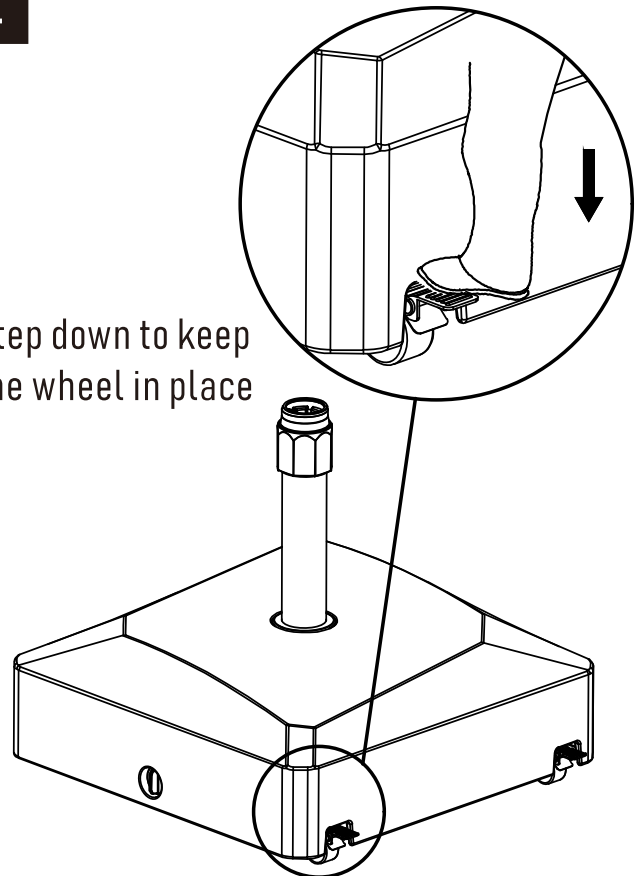


3



4

Step down to keep the wheel in place



Product Warranty

WHAT IS COVERED

FOR ALL PRODUCTS

All products are guaranteed against defects in materials for a period of 180 days from the date of purchase, contingent upon the product being utilized under normal residential conditions. This limited warranty applies solely to parts; costs associated with labor are expressly excluded from coverage. The warranty is non-transferable. Furthermore, shipping charges for replacement parts are covered within the 180 days following the date of purchase.

WHAT IS NOT COVERED

FOR ALL PRODUCTS

Damage resulting from vandalism, animal activity, misuse, or abuse of the product falls outside the scope of this warranty. Similarly, damage attributable to extreme weather events, including but not limited to thunderstorms, hailstorms, windstorms, or snowstorms, is not covered under this warranty. The warranty does not extend to issues of rust, water infiltration, or any discoloration of the structure and/or fabric.

Should there be non-compliance with any instructions outlined in this document, the warranty shall be considered null and void. Furthermore, any alterations made to the structure of the product will result in the immediate invalidation of the warranty.

Please don't hesitate to contact us for any further questions,
your satisfaction is guaranteed.