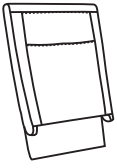
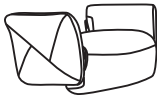


Assembly Instruction

A



B



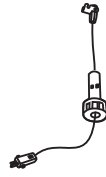
C



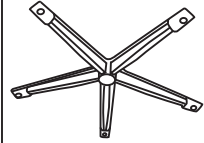
D



E



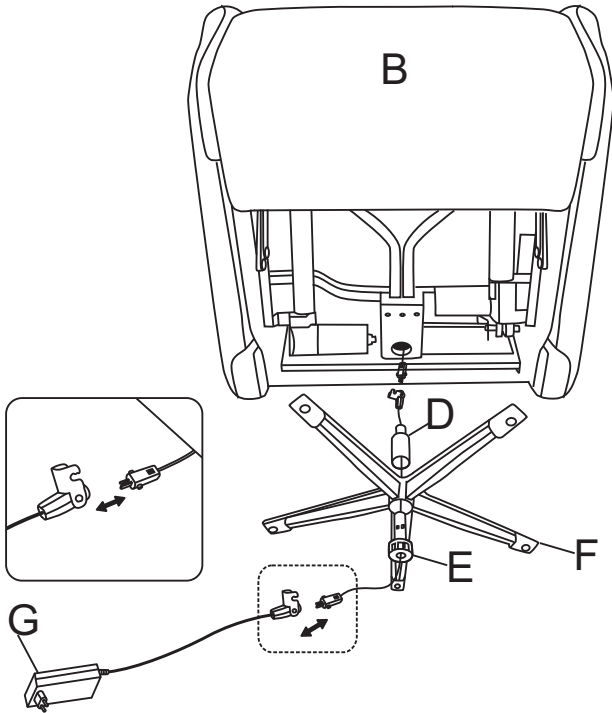
F



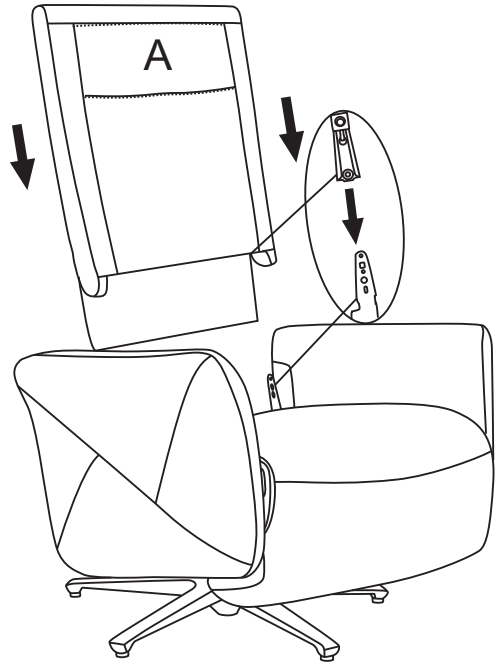
G



①



②



③

