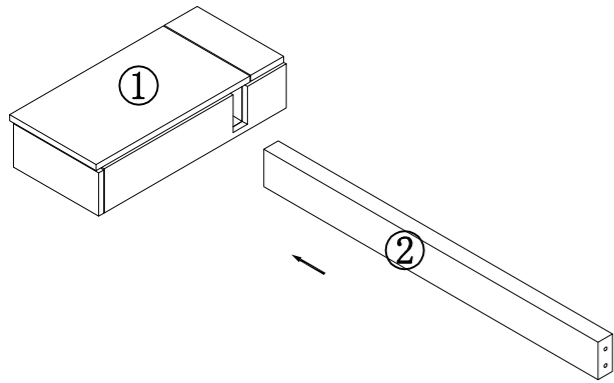


# ASSEMBLY INSTRUCTION MODEL NO:Desk

## FITTINGS

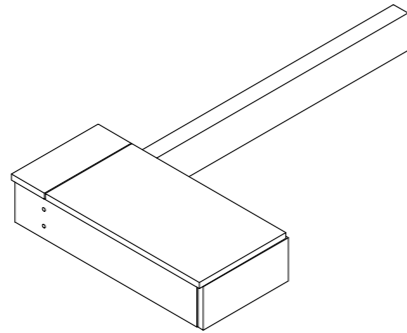
### STEP 1



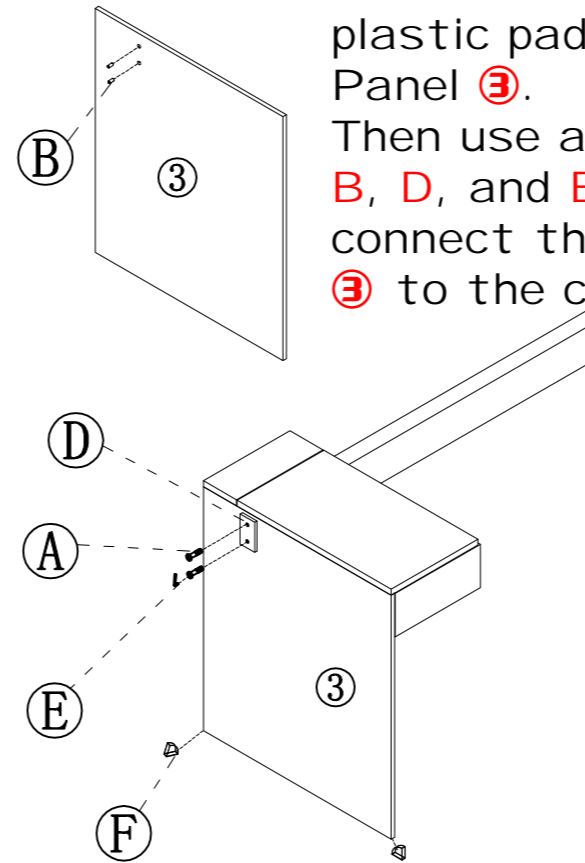
**Step 1:**  
Insert and connect ① (Cabinet) and ② (Metal Tube)

### STEP 2

Step 1 completed, as shown.



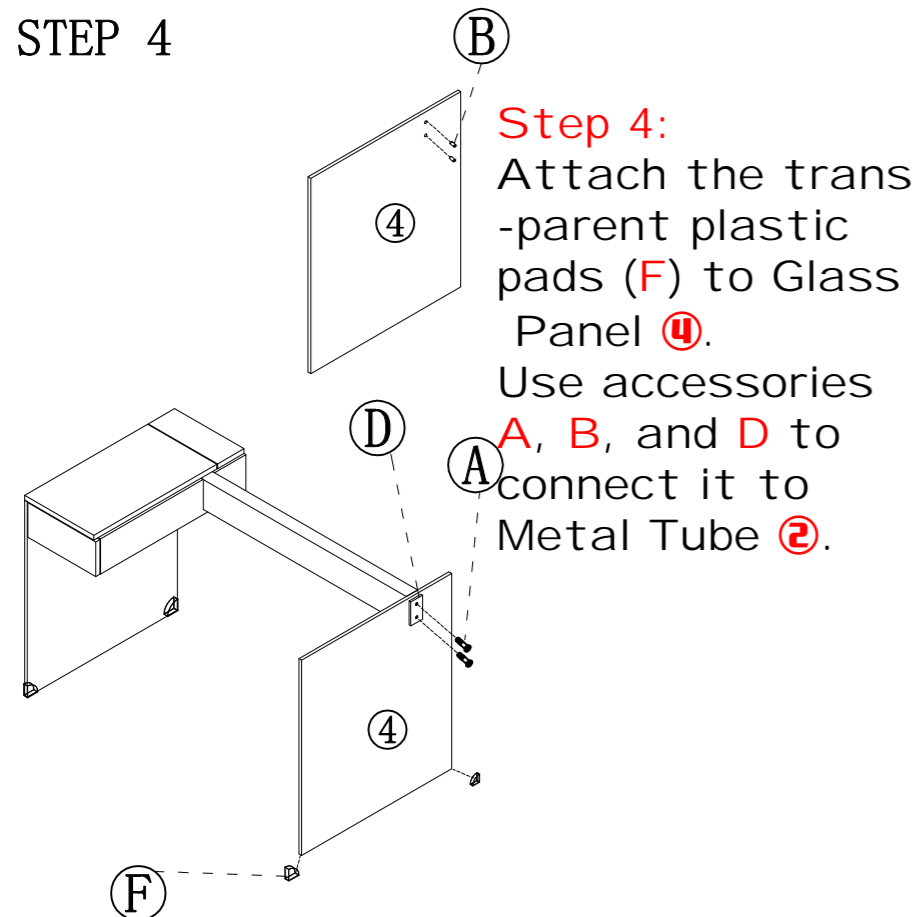
### STEP 3



**Step 3:**  
Attach the transparent plastic pads (F) to Glass Panel ③.  
Then use accessories A, B, D, and E to securely connect the glass panel ③ to the cabinet.

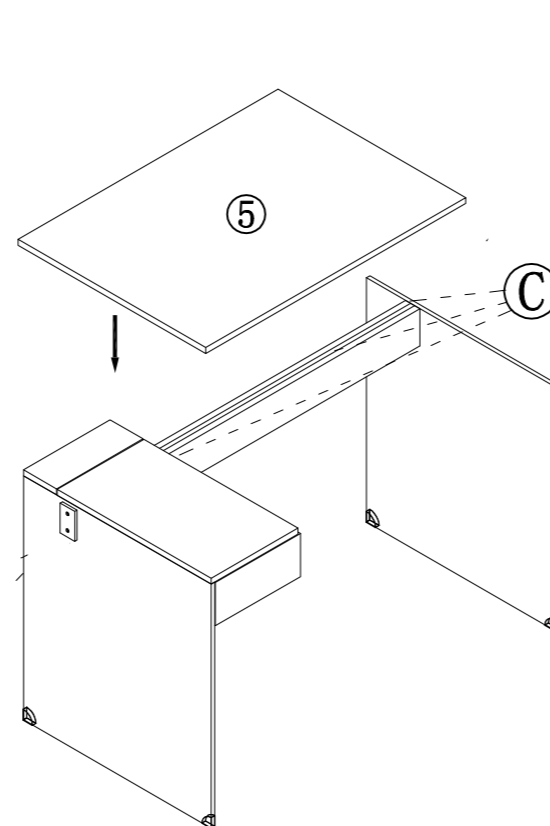
NO:	PATTERN:	SIZE:	QTY:
A		M8×25	4
B			4
C			3
D			4
E			1
F			4

### STEP 4



**Step 4:**  
Attach the transparent plastic pads (F) to Glass Panel ④.  
Use accessories A, B, and D to connect it to Metal Tube ②.

### STEP 5



**Step 5:**  
Stick the double-sided tape (C) along the edges of the desktop frame.  
Then place Glass Panel ⑤ on top.

### STEP 6

Assembly is complete.  
Thank you for your purchase!

