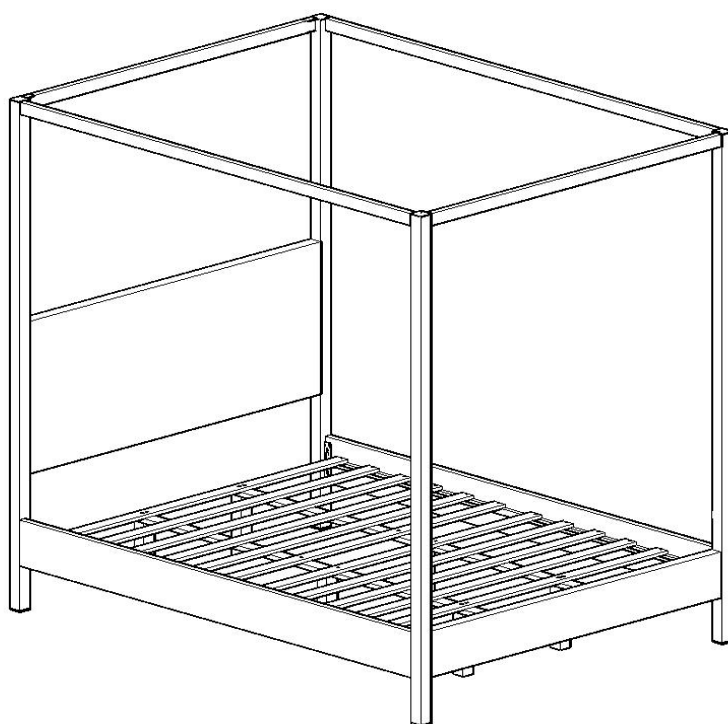


# ASSEMBLY INSTRUCTIONS



*Fine Furniture for every stage of life*

**Eastern King Bed**

# ASSEMBLY INSTRUCTIONS

## ASSEMBLY TIPS:

1. Remove hardware from box and sort by size.
2. Please check to see that all hardware and parts are present prior to start of assembly.
3. Please follow attached instructions in the same sequence as numbered to assure fast & easy assembly.



### WARNING!

1. Don't attempt to repair or modify parts that are broken or defective. Please contact the store immediately.
2. This product is for home use only and not intended for commercial establishments.



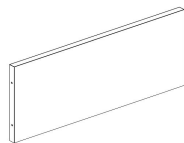
**ASSEMBLY TIME**

**35 MINUTES**

## PARTS IDENTIFICATION

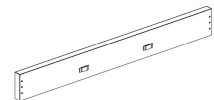
### B1 (BOX 1)

**A HEADBOARD PANEL**



**1PC**

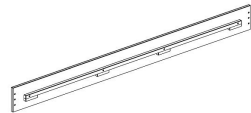
**B FOOTBOARD PANEL**



**1PC**

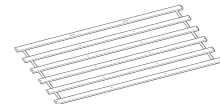
### B2 (BOX 2)

**C BED RAIL**



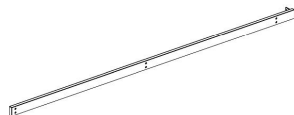
**2PCS**

**E ROLL SLAT (6PCS)**



**2SETS**

**D CENTER RAIL**



**2PCS**

### B3 (BOX 3)

**F CENTER RAIL SUPPORT WITH LEVELLEL**



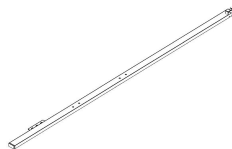
**6PCS**

**J RIGHT FB POST**



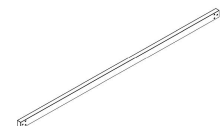
**1PC**

**G LEFT HB POST**



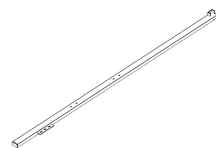
**1PC**

**K UPPER FRONT RAIL**



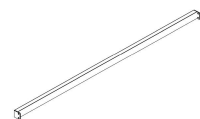
**1PC**

**H RIGHT HB POST**



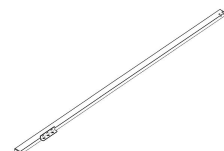
**1PC**

**L UPPER BACK RAIL**



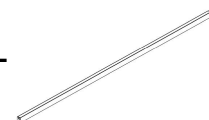
**1PC**

**I LEFT FB POST**



**1PC**

**M UPPER SIDE RAIL**



**2PCS**

# ASSEMBLY INSTRUCTIONS

## ASSEMBLY TIPS:

1. Remove hardware from box and sort by size.
2. Please check to see that all hardware and parts are present prior to start of assembly.
3. Please follow attached instructions in the same sequence as numbered to assure fast & easy assembly.









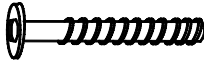



### WARNING!

1. Don't attempt to repair or modify parts that are broken or defective. Please contact the store immediately.
2. This product is for home use only and not intended for commercial establishments.

## HARDWARE IDENTIFICATION

### BOX 3 - HARDWARE PACK

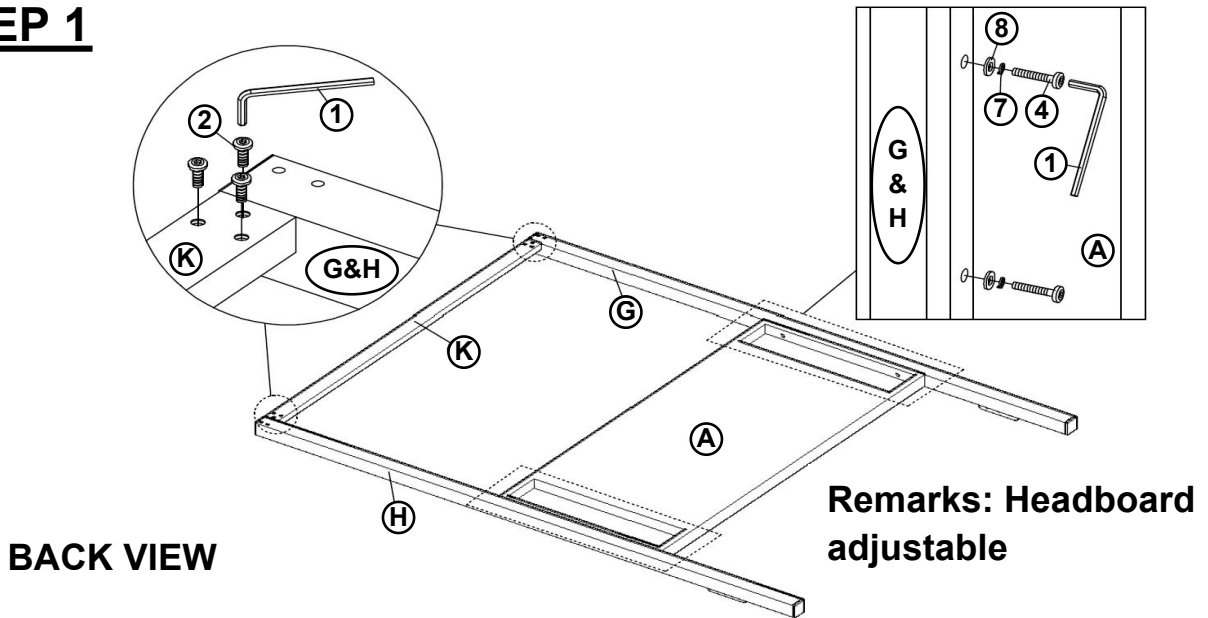
1	<b>ALLEN WRENCH</b> (M4 x 55mm - BLK)		1PC	8	<b>FLAT WASHER</b> (M6 - BLK)		22PCS
2	<b>BOLT 1</b> (M6 x 16mm - BLK)		26PCS	9	<b>SHORT FLAT HEAD SCREW</b> (M3.5 x 20mm - BLK)		2PCS
3	<b>BOLT 2</b> (M6 x 20mm - BLK)		6PCS	10	<b>LONG FLAT HEAD SCREW</b> (M4 x 25mm - BLK)		24PCS
4	<b>BOLT 3</b> (M6 x 40mm - BLK)		4PCS				
5	<b>BOLT 4</b> (M6 x 50mm - BLK)		12PCS				
6	<b>BOLT 5</b> (M6 x 65mm - BLK)		4PCS				
7	<b>LOCK WASHER</b> (M6 - BLK)		22PCS				

### NOTE:

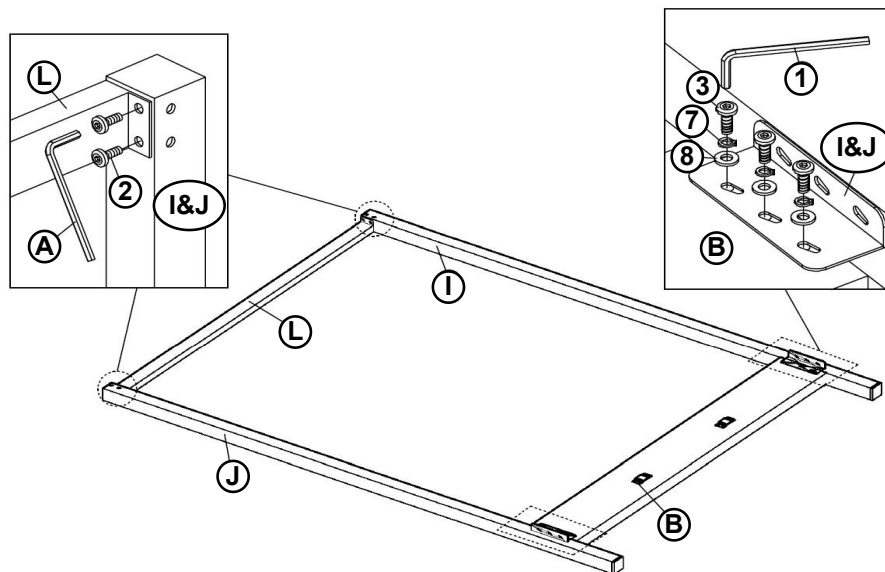
Phillips head screw driver is required in the assembly process; however, manufacturer does not provide this item.

# ASSEMBLY INSTRUCTIONS

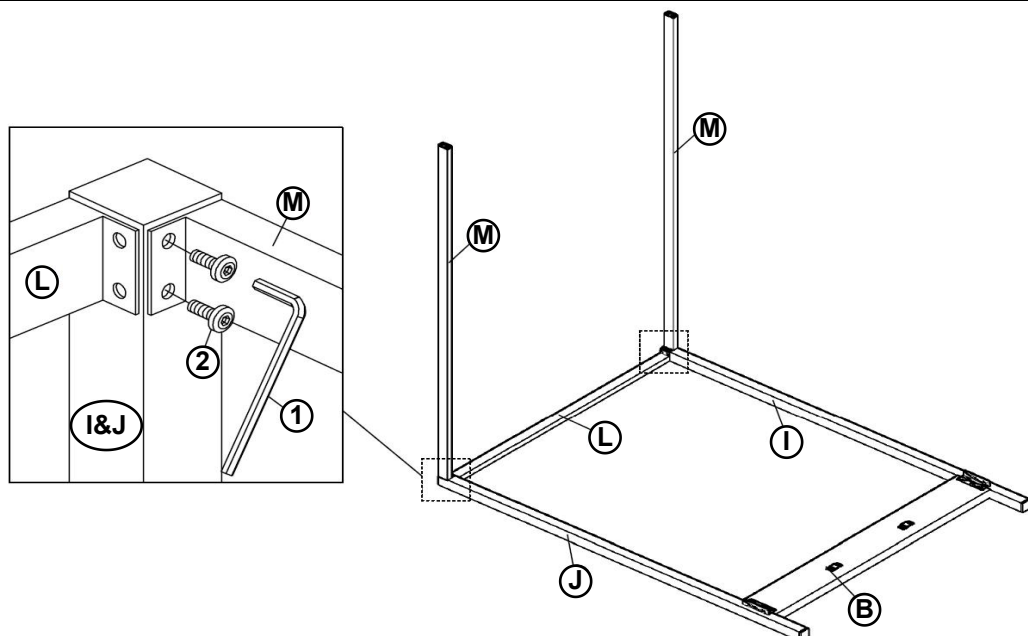
## STEP 1



## STEP 2

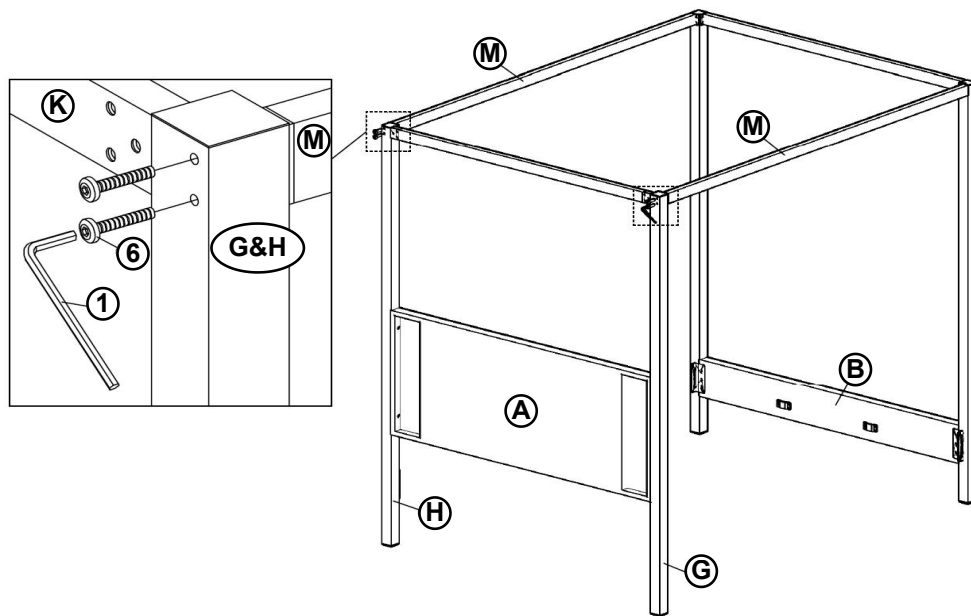


## STEP 3

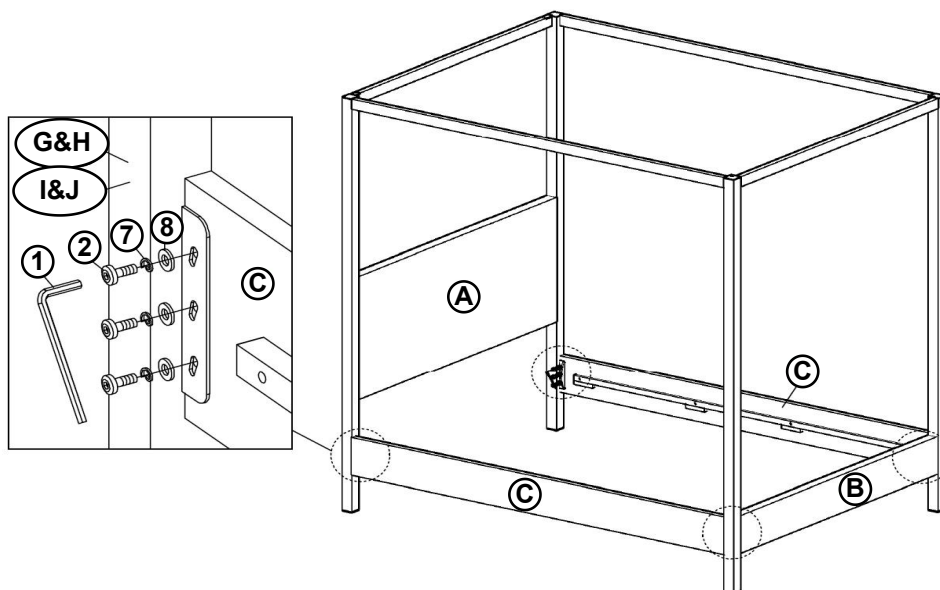


# ASSEMBLY INSTRUCTIONS

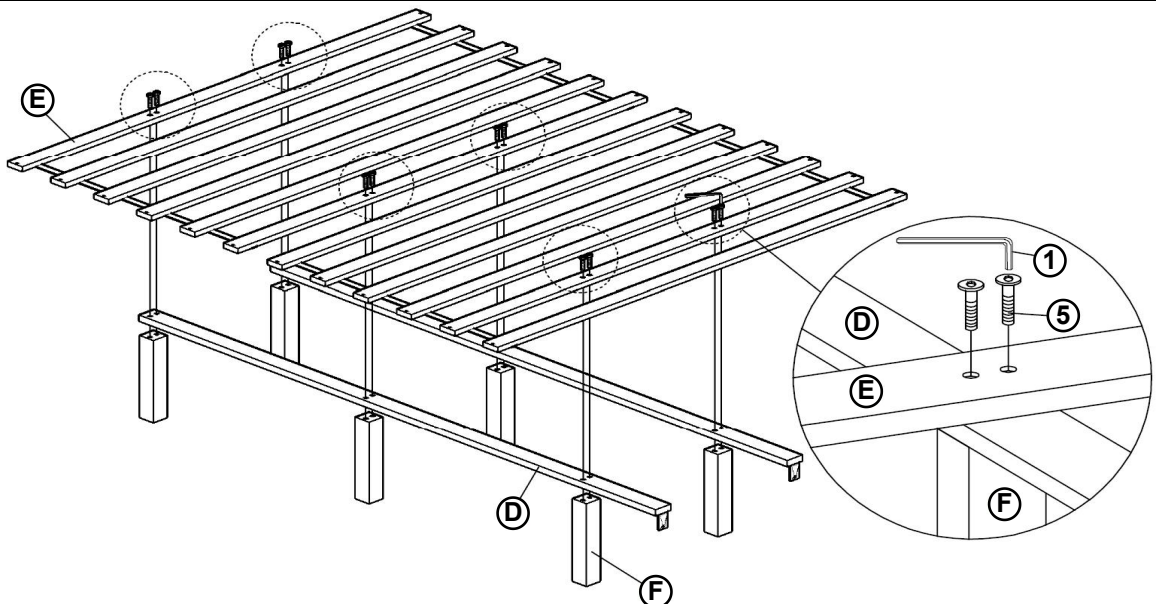
## STEP 4



## STEP 5

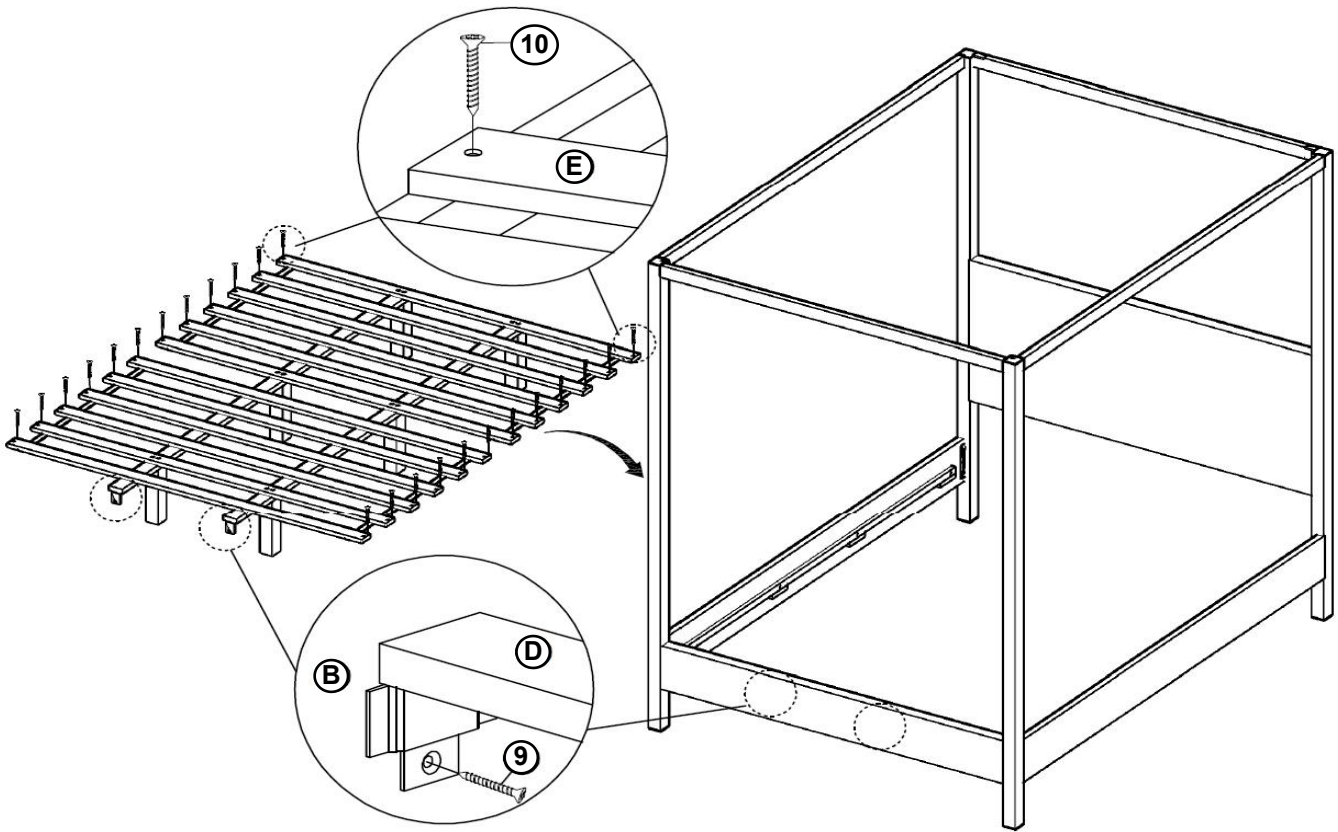


## STEP 6



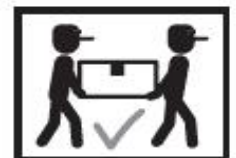
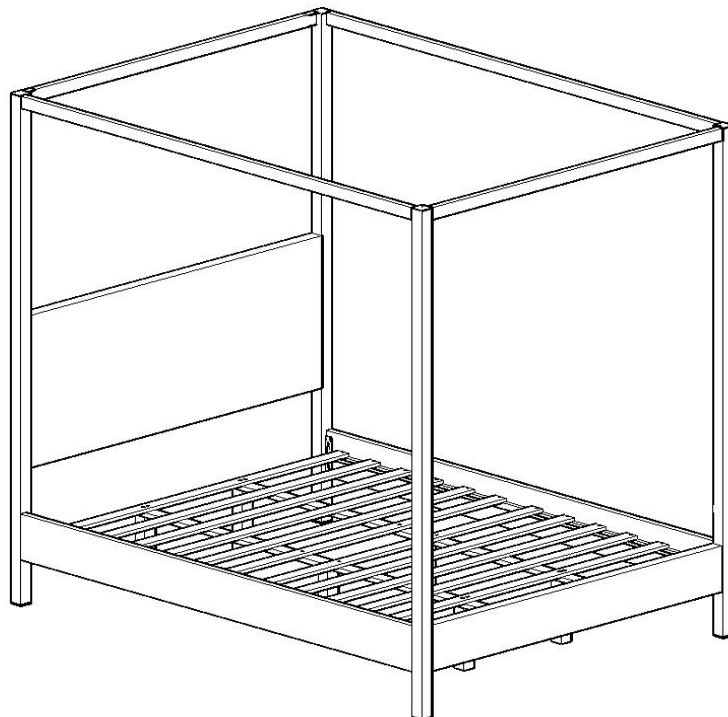
# ASSEMBLY INSTRUCTIONS

## STEP 7

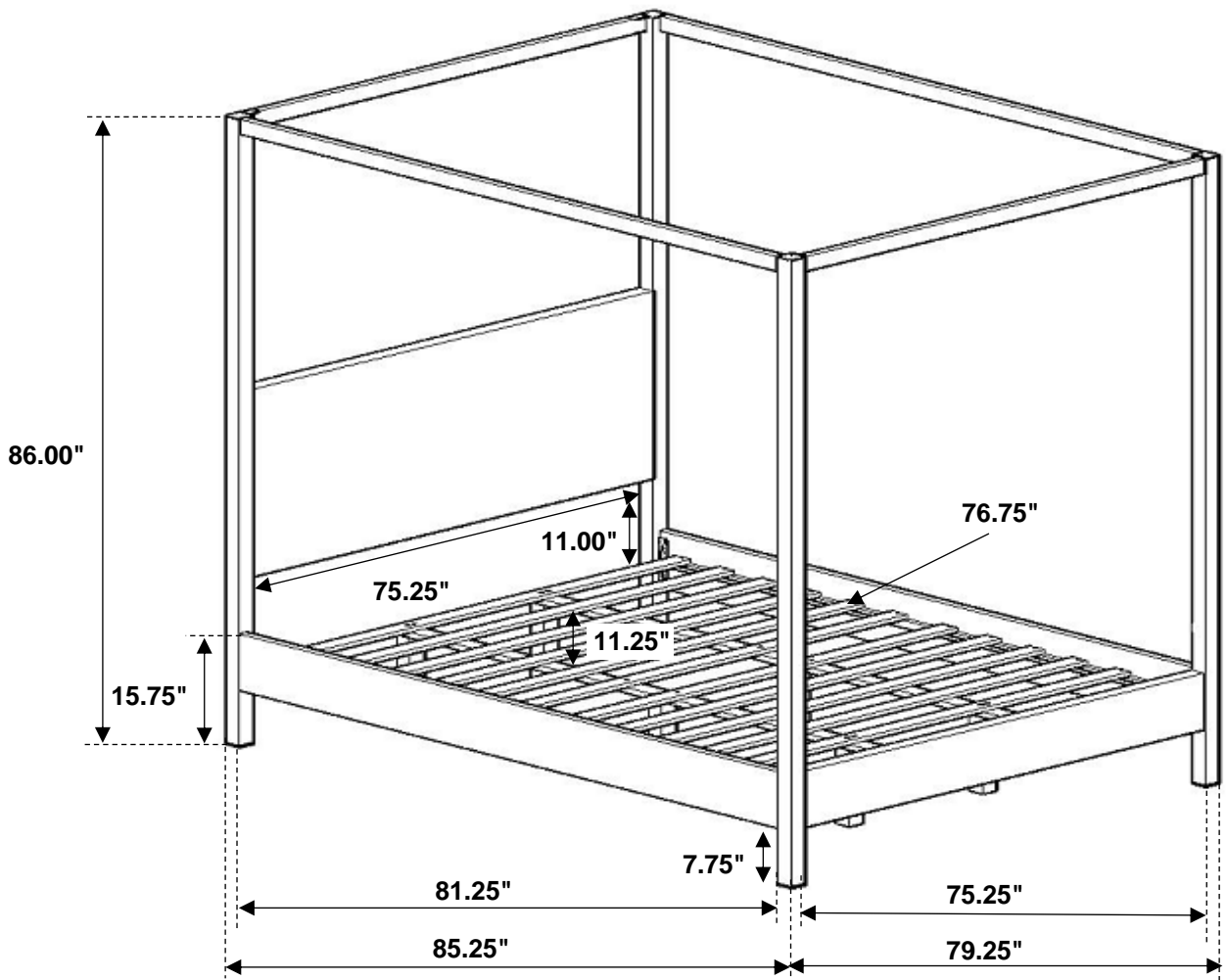


## STEP 8

### COMPLETE



Inner Size : 76.75"W X 81.25"D



Note : Dimension tolerance  $\pm 5\%$