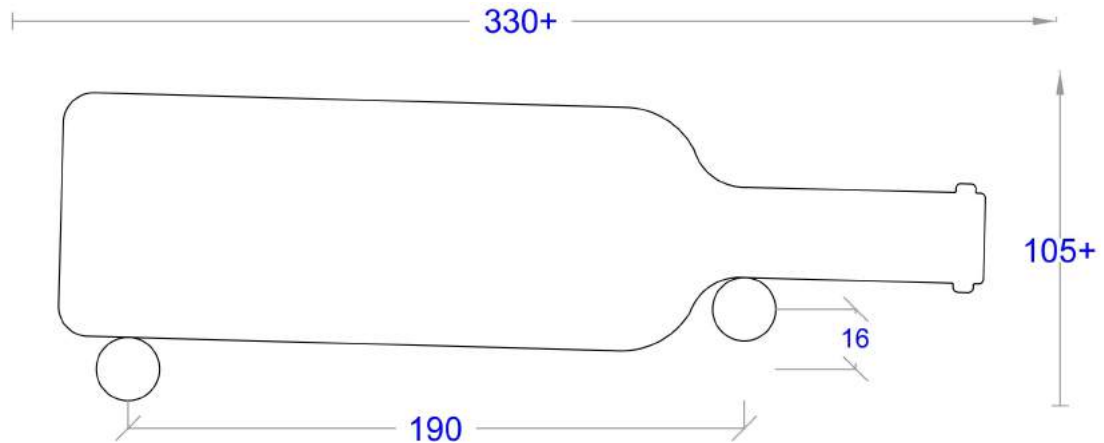


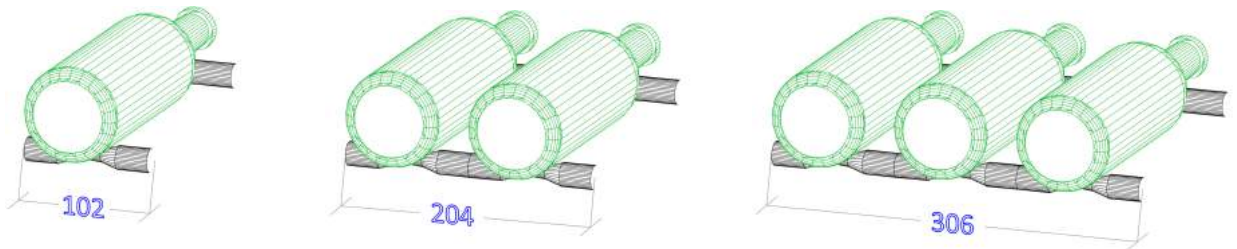
Vino Series - Vino Pins Spec Sheet

Vino Series - 1-3 bottle deep Vino Pins

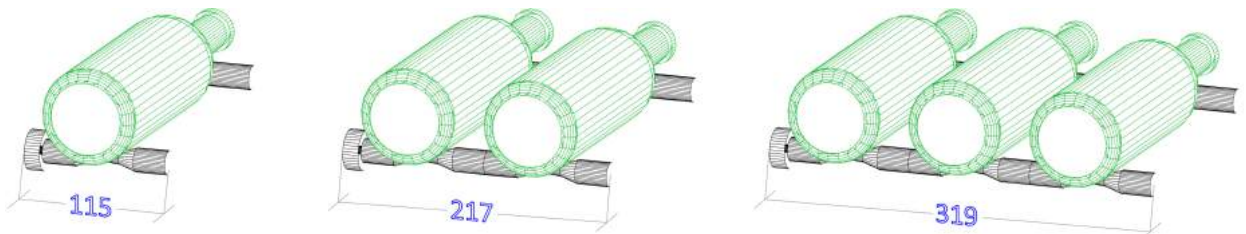
Item	Depth no collars	Item	Depth with collars	Height	Capacity	Width
VP	102	VPC	115	105mm Minimum	1 bottle	330mm minimum
VP2	204	VPC2	217		2 bottles	
VP3	306	VPC3	319		3 bottles	



Vino Pins - VP - no collars



Vino Pins - VPC - with collars



Vino Series starter sets include hardware for wood and solid wall surfaces.
 For plasterboard, cavity and similar installations we recommend
 the optional collars (cavity hardware included).
 Collars will add 13 mm to the overall depth