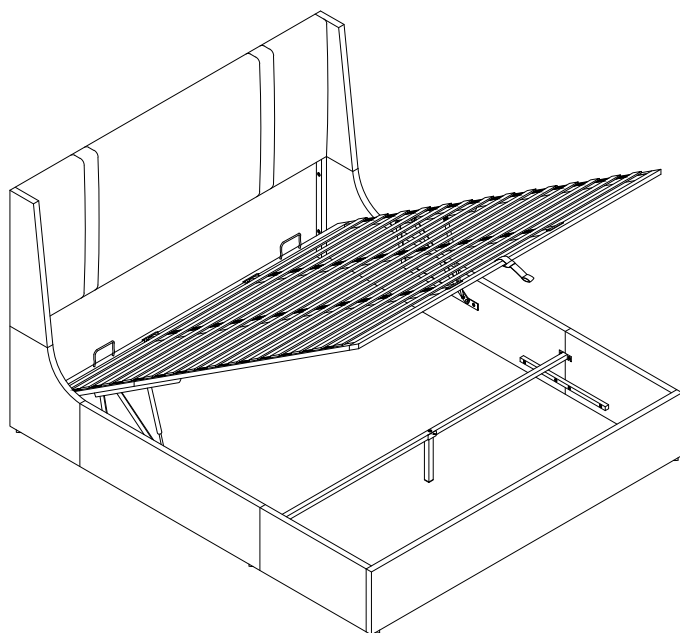


ASSEMBLY INSTRUCTION



WARNING: OPEN THE HEADBOARD BACK ZIPPER, THE BED REST PARTS IN IT.

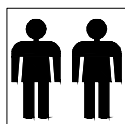


**Please TEAR OFF this shrink film from side!
DO NOT USE CUTTER!**

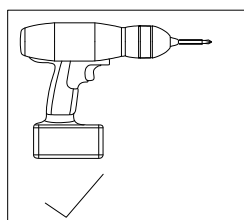
ITEM NUMBER:US016

IMPORTANT NOTE

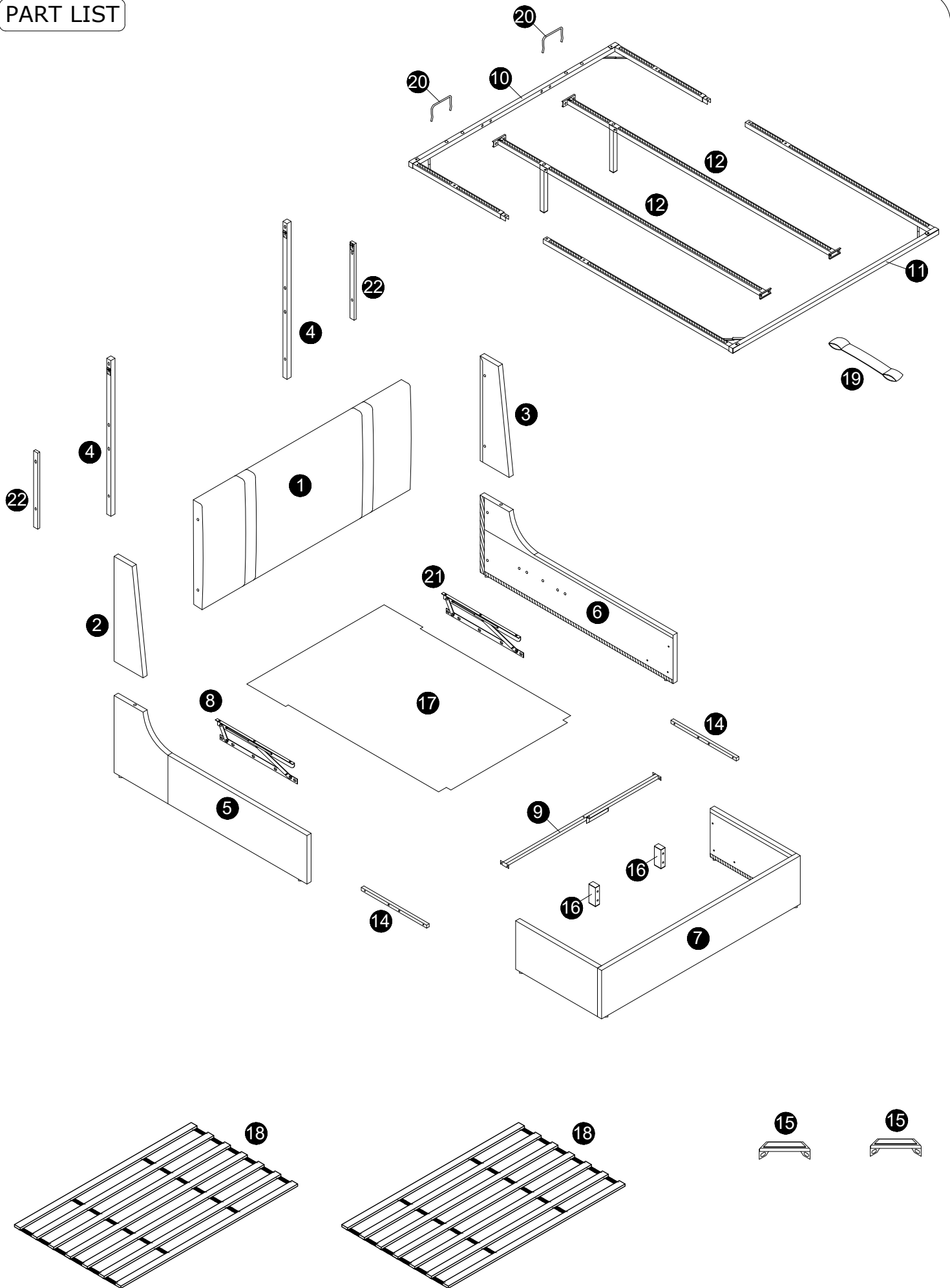
- 1. ALL OTHER PART INSIDE THE HEADBOARD PLEASE OPEN THE ZIPPER OF HEADBOARD, AND TAKE OUT ALL OTHER PART BEFORE ASSEMBLY.**
2. FOR THE PROTECTION OF YOUR FURNITURE, PLACE ALL PARTS ON A CLEAN AND SMOOTH SURFACE TO PREVENT ANY DAMAGE.
3. KEEP FITTINGS OUT OF CHILDREN'S REACH AND KEEP CHILDREN WELL AWAY FROM CONSTRUCTION AREA.
4. WHEN MOVING YOUR ASSEMBLED BED. IT IS BEST TO LIFT THE BED AND NEVER TO DRAG IT.
5. DO NOT USE THIS PRODUCT IF PARTS ARE MISSING, DAMAGED OR WORN.
6. THIS PRODUCT SHOULD ONLY BY USED ON FIRM, LEVEL GROUND.
7. PLEASE PERIODICALLY CHECK ALL FITTINGS AND RE-TIGHTEN AS NECESSARY.
8. DO NOT USE THE BED UNLESS ALL BOLTS AND SCREWS ARE FIRMLY SECURED.
9. NEED PARTS OR ASSISTANCE? EMAIL US AT felixcai2021@hotmail.com



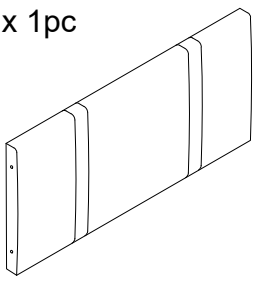



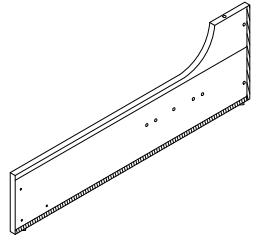
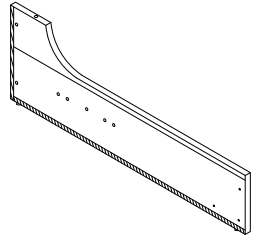
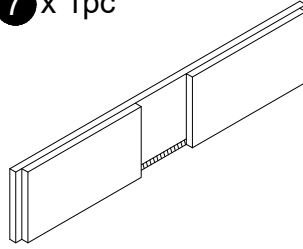
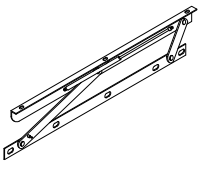
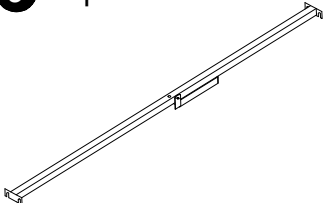
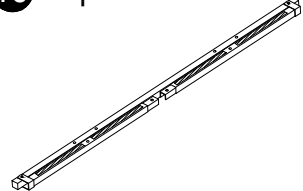
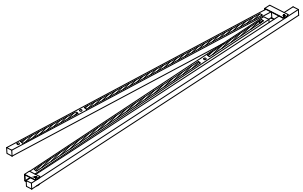
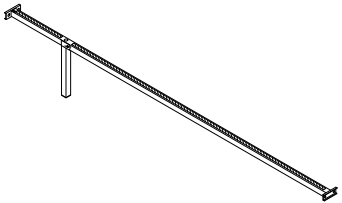
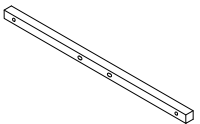

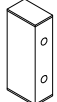
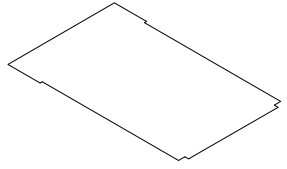
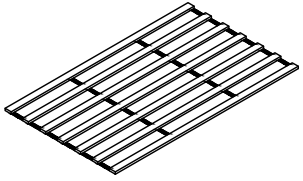
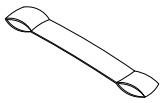
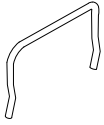
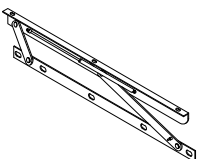
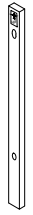
Minimum two
person assembly




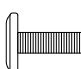
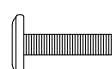




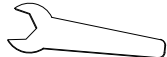


PART LIST



PART LIST

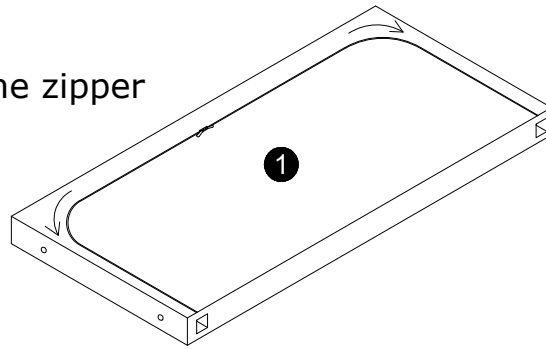
<p>1 x 1pc</p> 	<p>2 x 1pc</p> 	<p>3 x 1pc</p> 	<p>4 x 2pcs</p> 	
<p>5 x 1pc</p> 	<p>6 x 1pc</p> 	<p>7 x 1pc</p> 	<p>8 x 1pc</p> 	
<p>9 x 1pc</p> 	<p>10 x 1pc</p> 	<p>11 x 1pc</p> 	<p>12 x 2pcs</p> 	
<p>14 x 2pcs</p> 	<p>15 x 2pcs</p> 	<p>16 x 2pcs</p> 	<p>17 x 1pc</p> 	
<p>18 x 2pcs</p> 	<p>19 x 1pc</p> 	<p>20 x 2pcs</p> 	<p>21 x 1pc</p> 	<p>22 x 2pcs</p> 

HARDWARE LIST

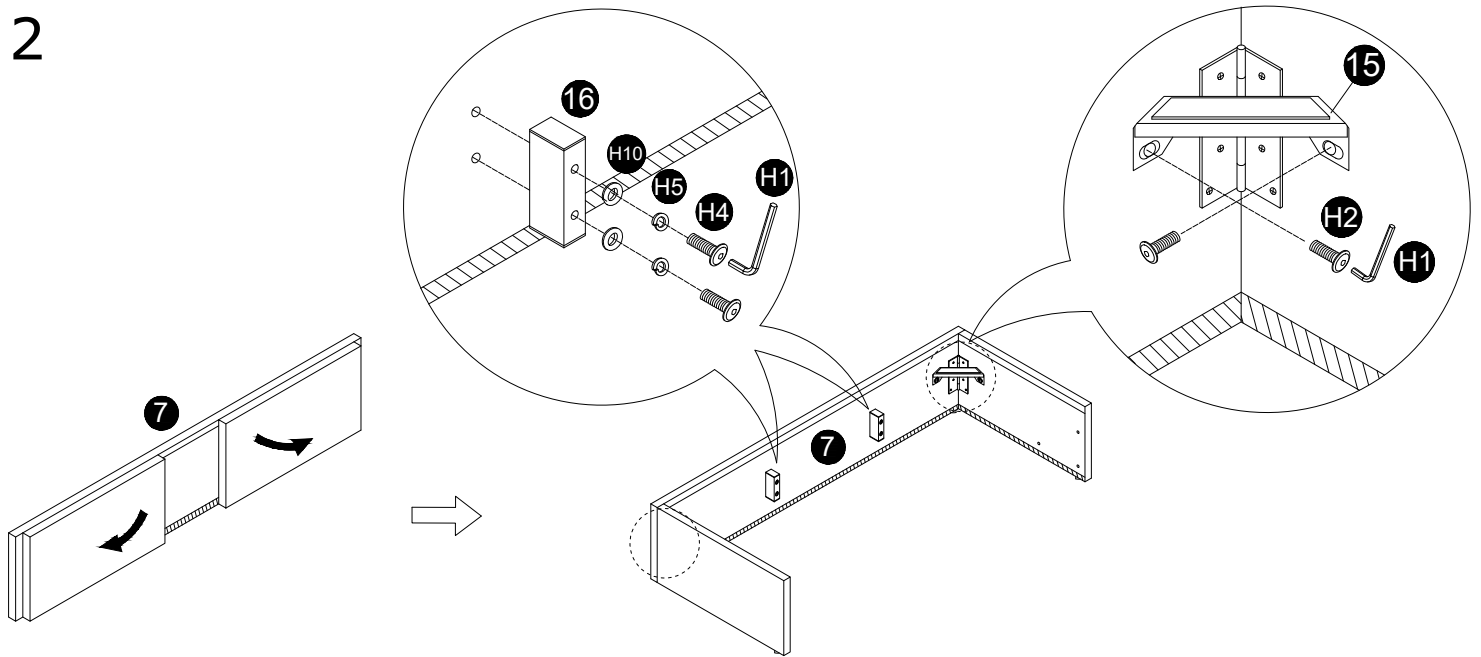
 <p>H1 M5 x 1pc</p>	 <p>H2 M8x25mm x 26pcs</p>	 <p>H3 M8x35mm x 8pcs</p>	 <p>H4 M8x70mm x 12pcs</p>
 <p>H5 M8 x 12pcs</p>	 <p>H6 M8x50mm x 2pcs</p>	 <p>H7 M8 x 6pcs</p>	 <p>H8 M14 x 1pc</p>
 <p>H9 M8x50mm x 9pcs</p>	 <p>H10 M8x22mm x 12pcs</p>		

1 **NOTE:** PLEASE OPEN THE ZIPPER ON THE BACK OF **1** AND TAKE OUT THE PARTS.

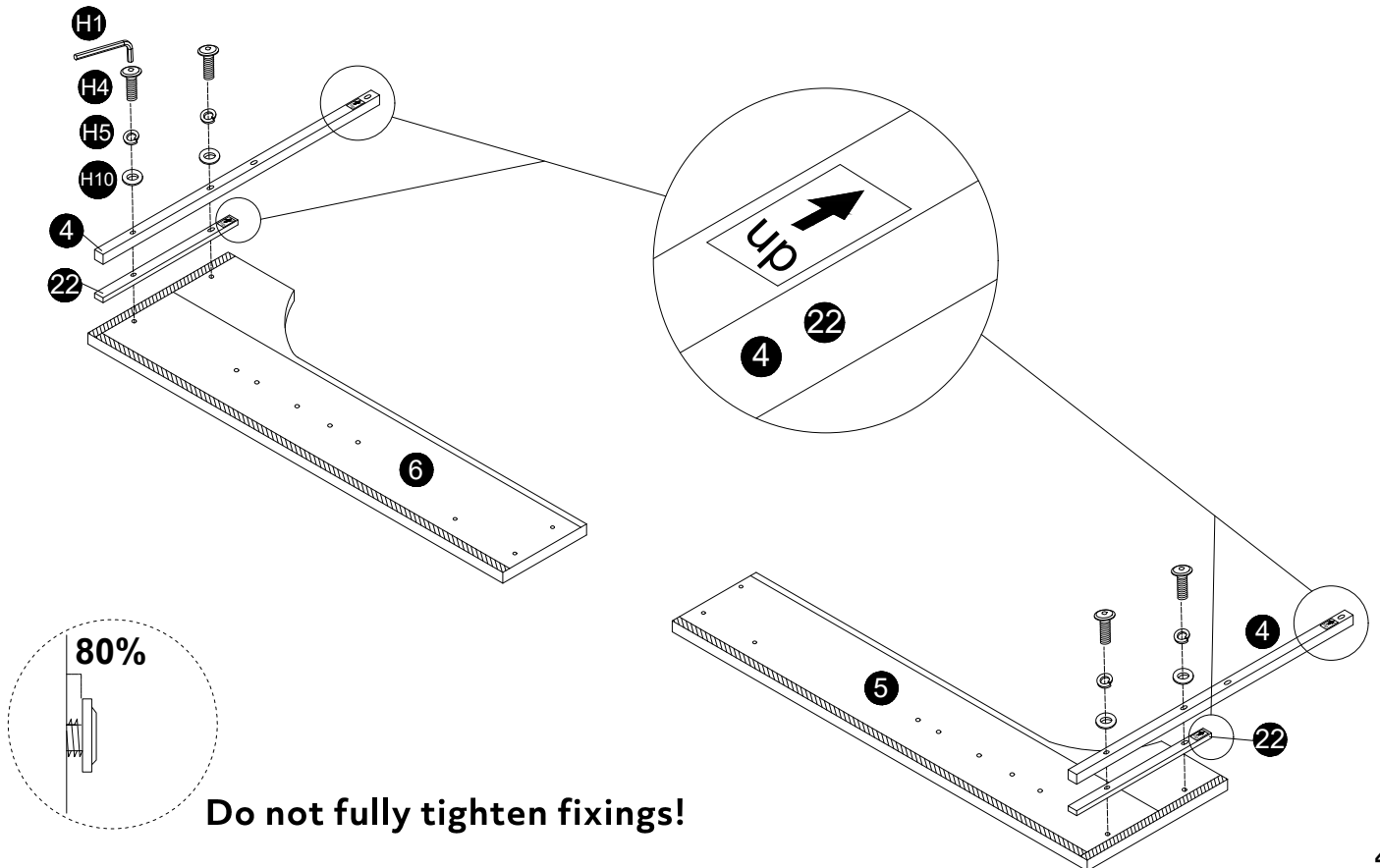
Open the zipper



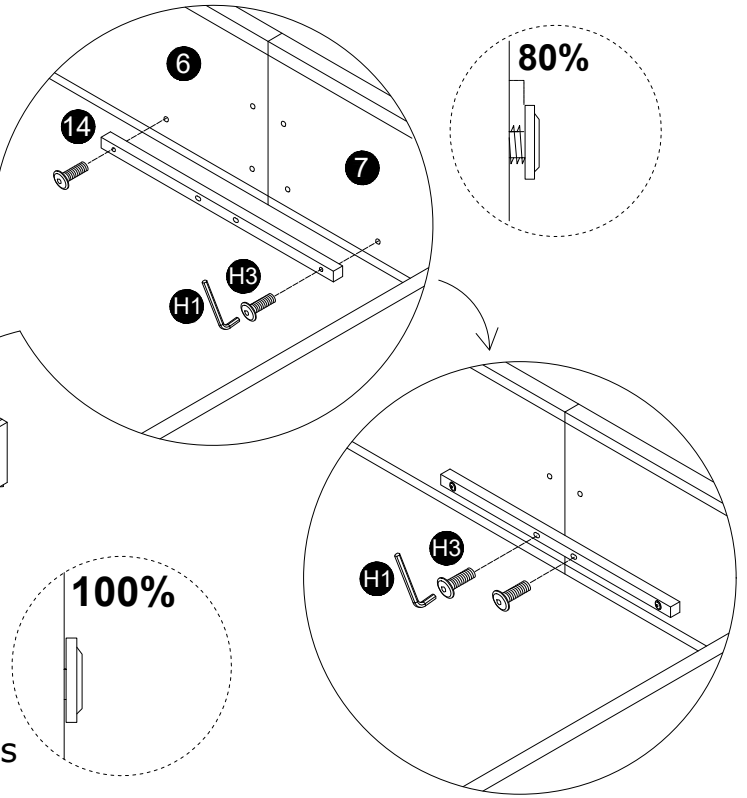
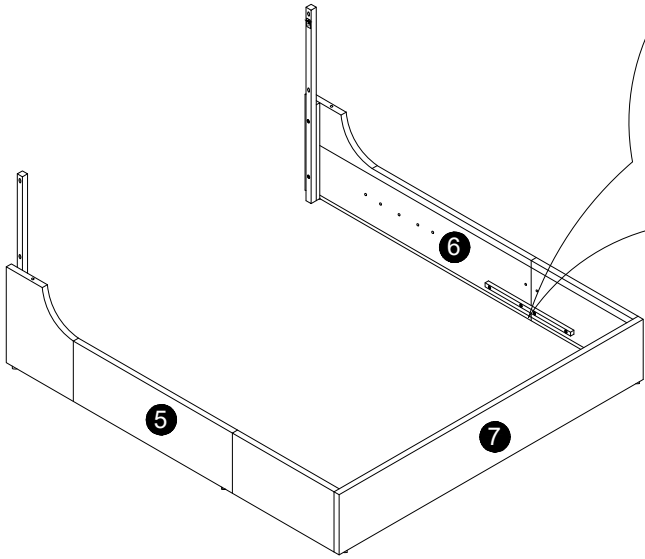
2



3

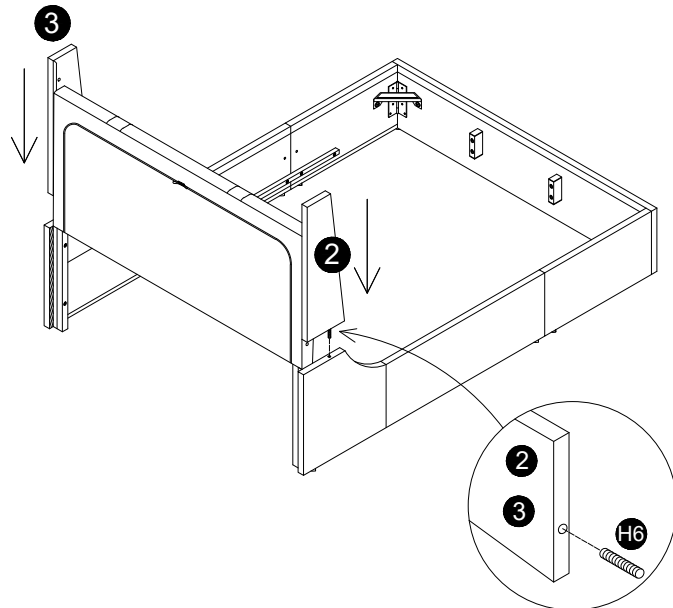
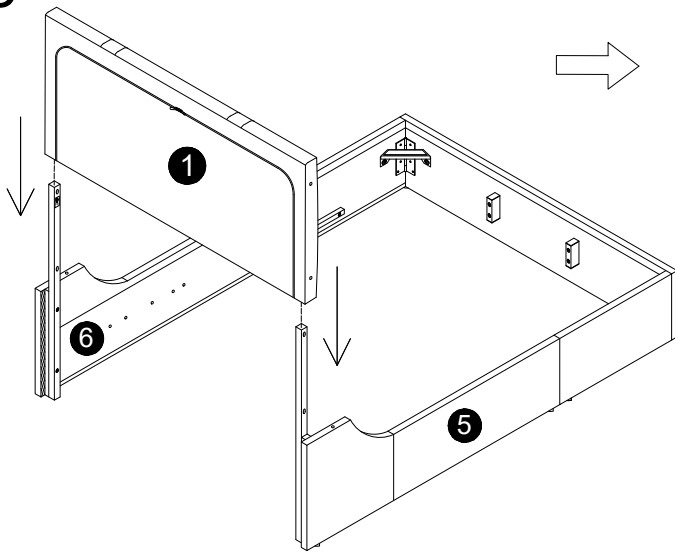


4

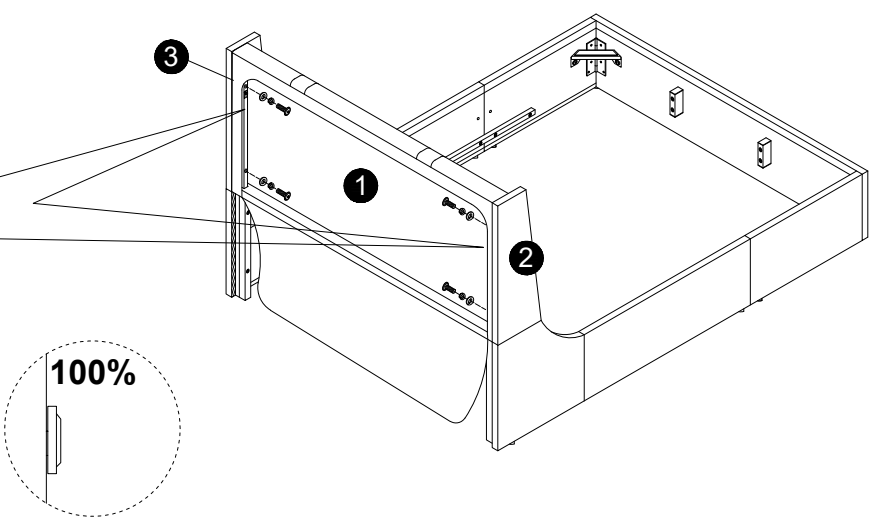
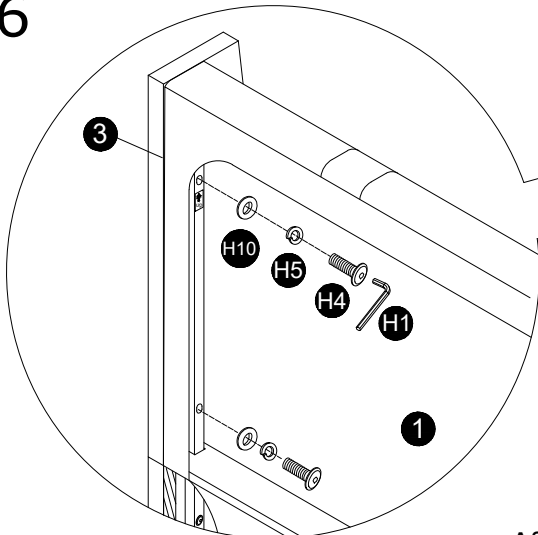


Fully tighten step 4 all fixings

5



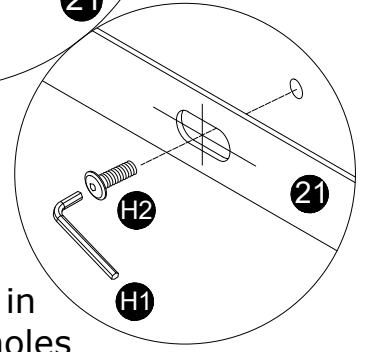
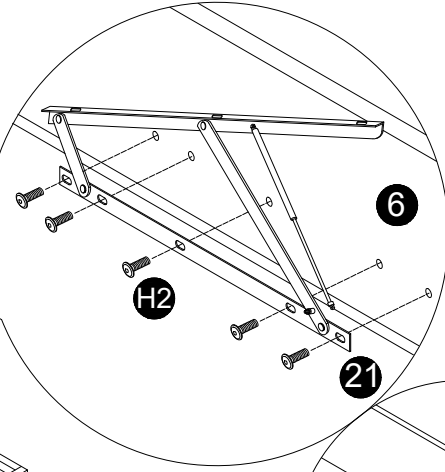
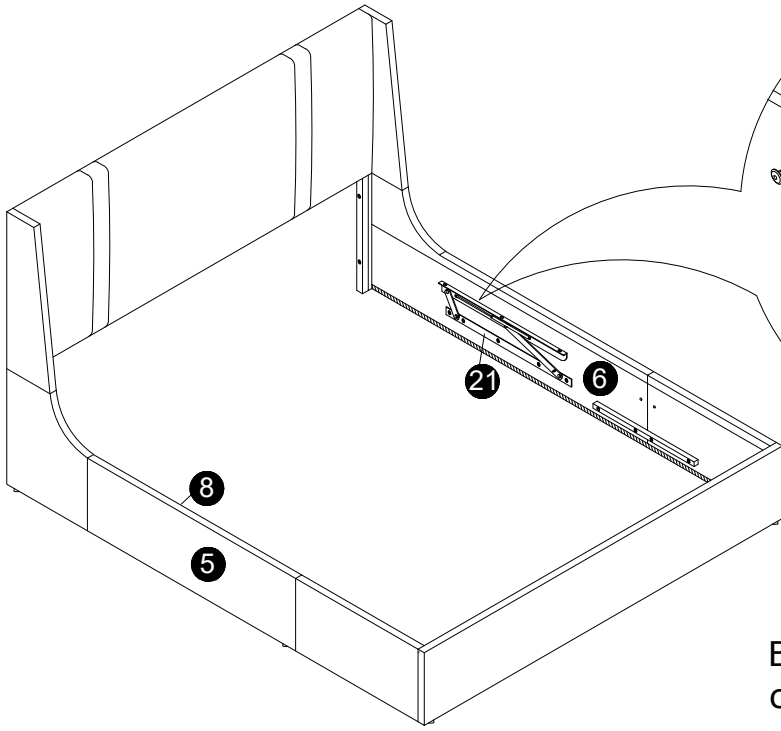
6



100%

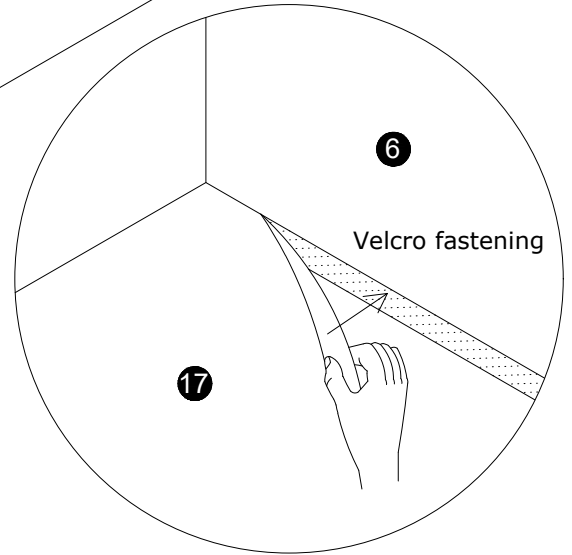
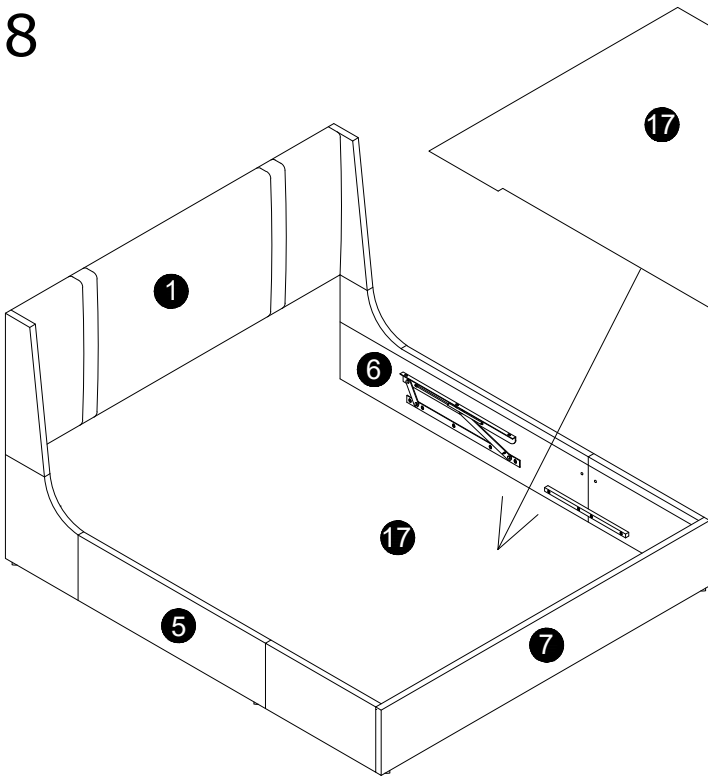
After assembly is completed, Fully tighten step 3 all fixings. Please close the zipper before go to next step.

7

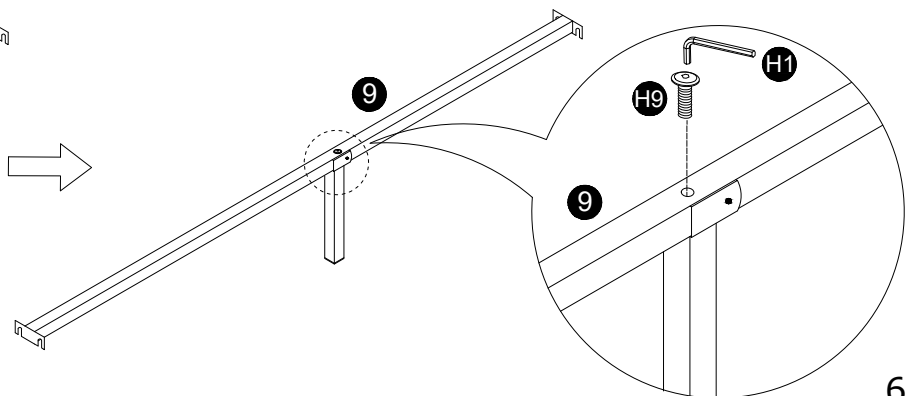
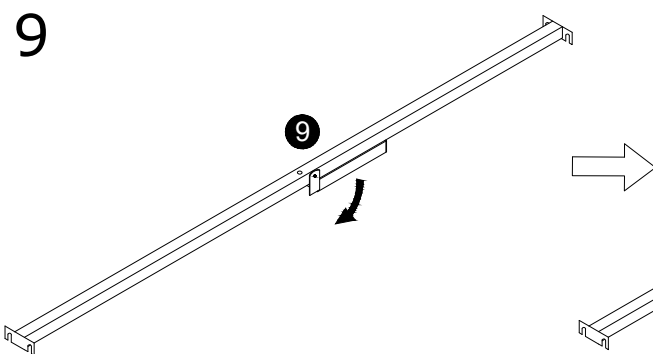


Bolts should be in centre of long holes

8

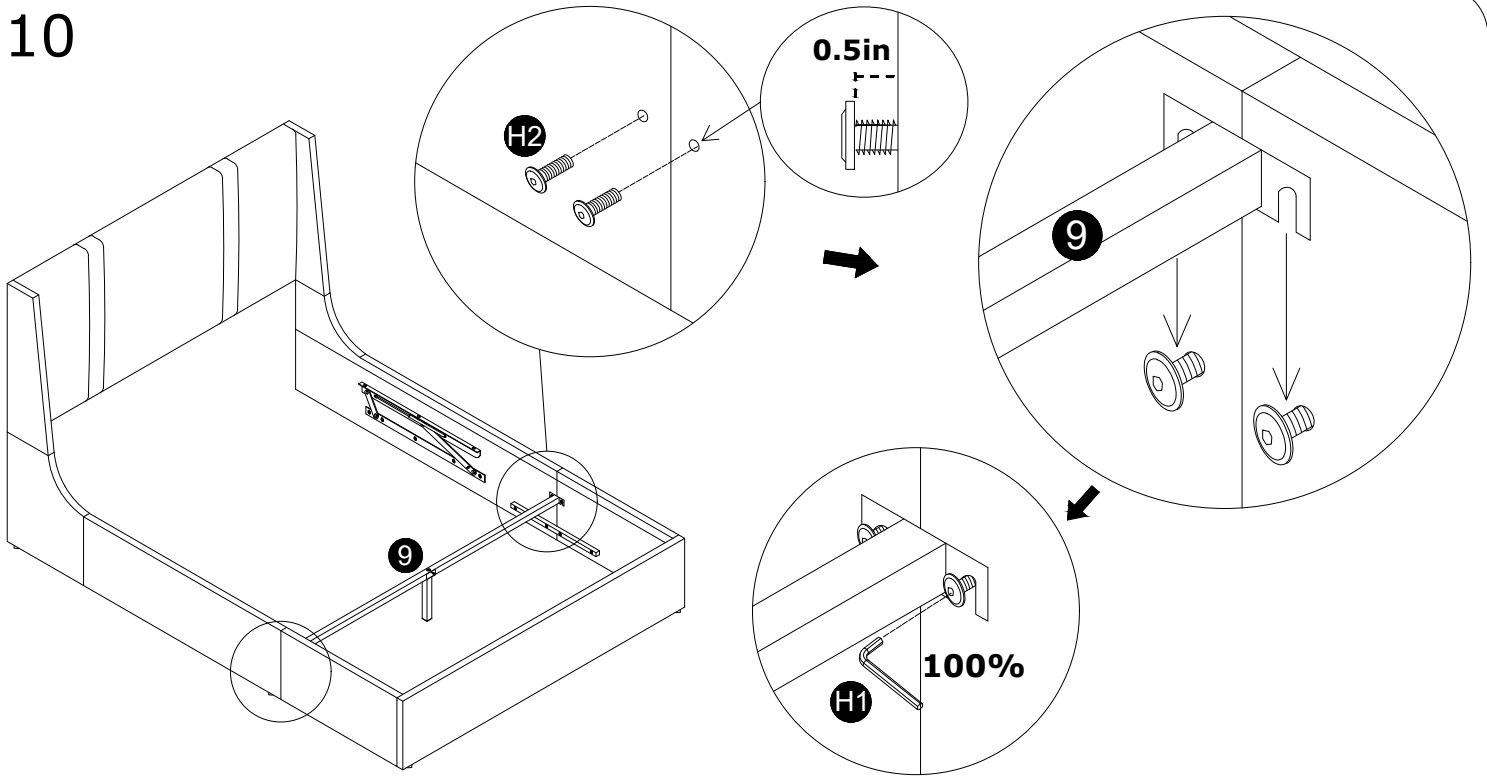


9

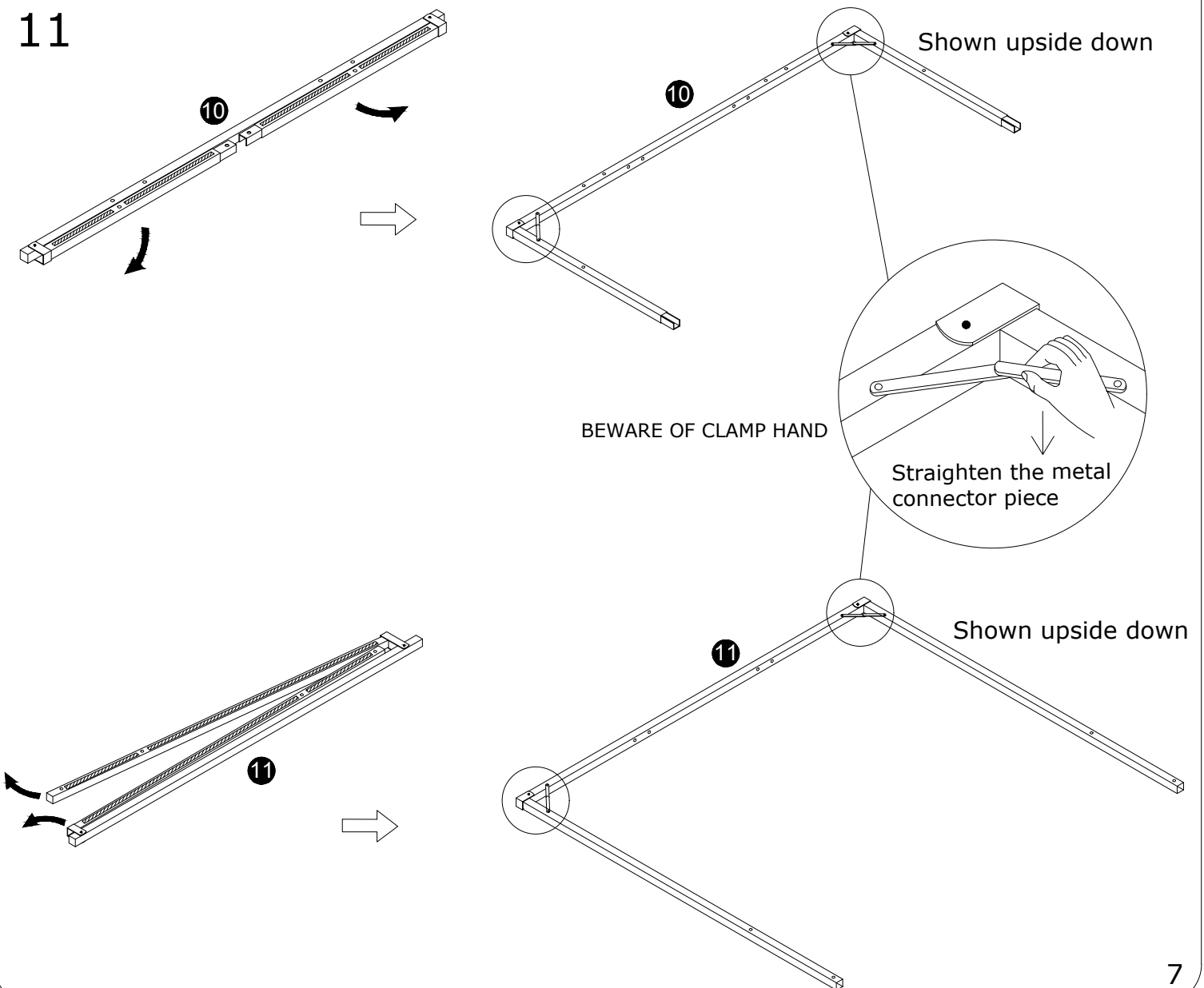


6

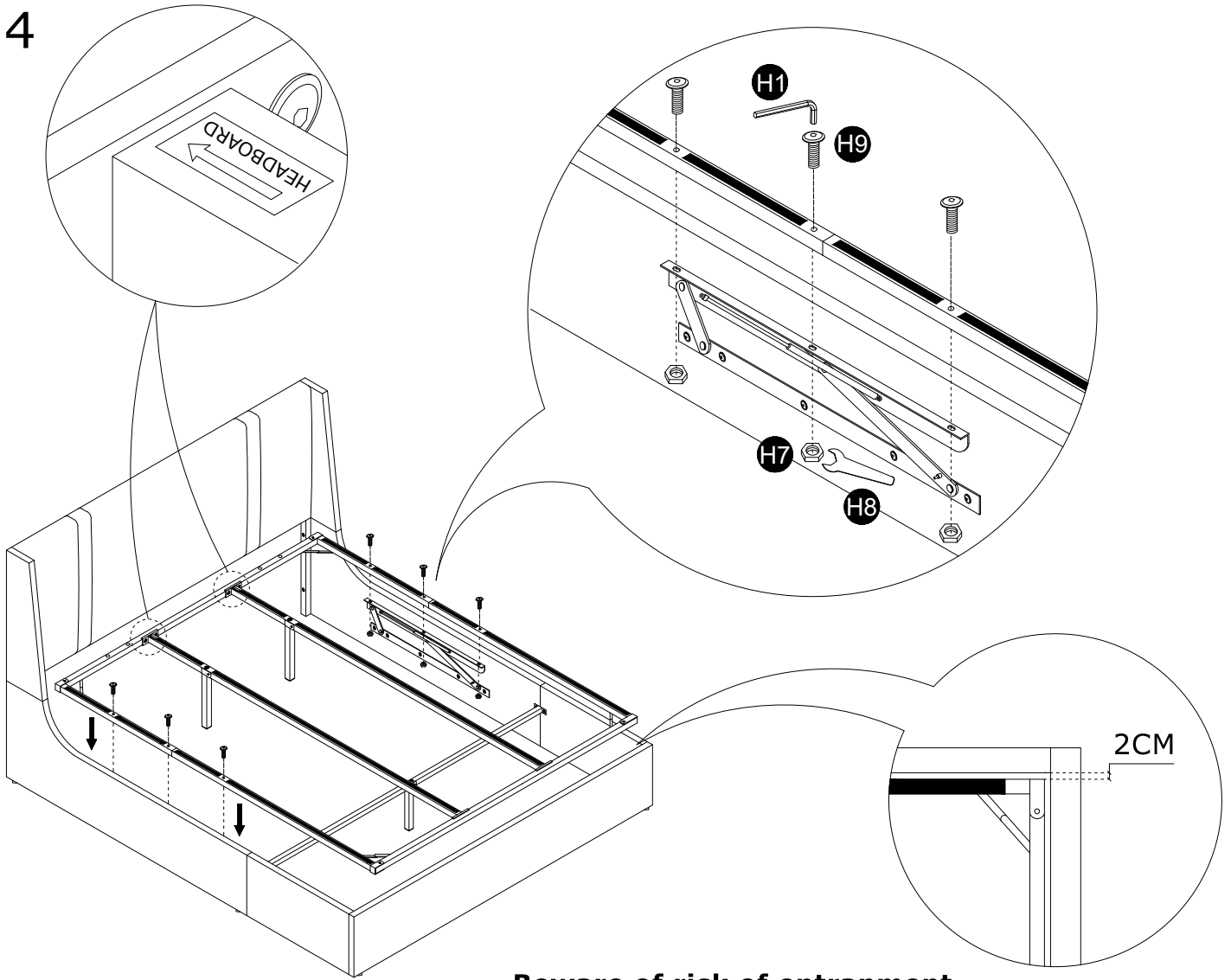
10



11

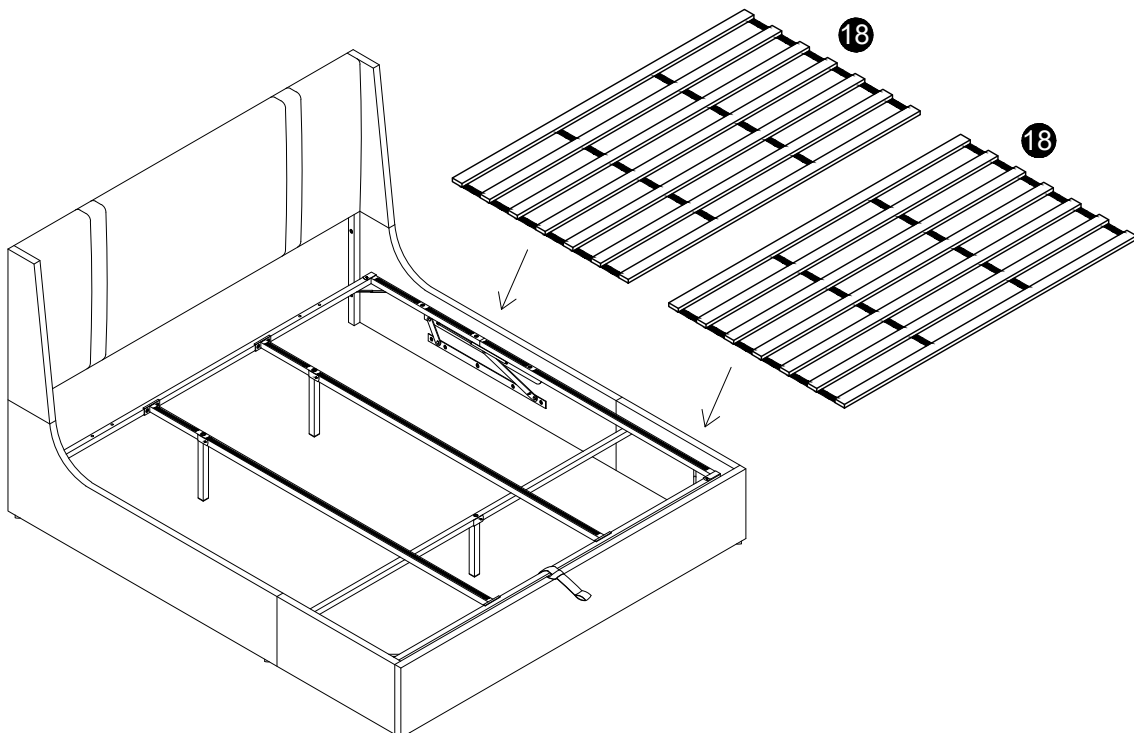


14

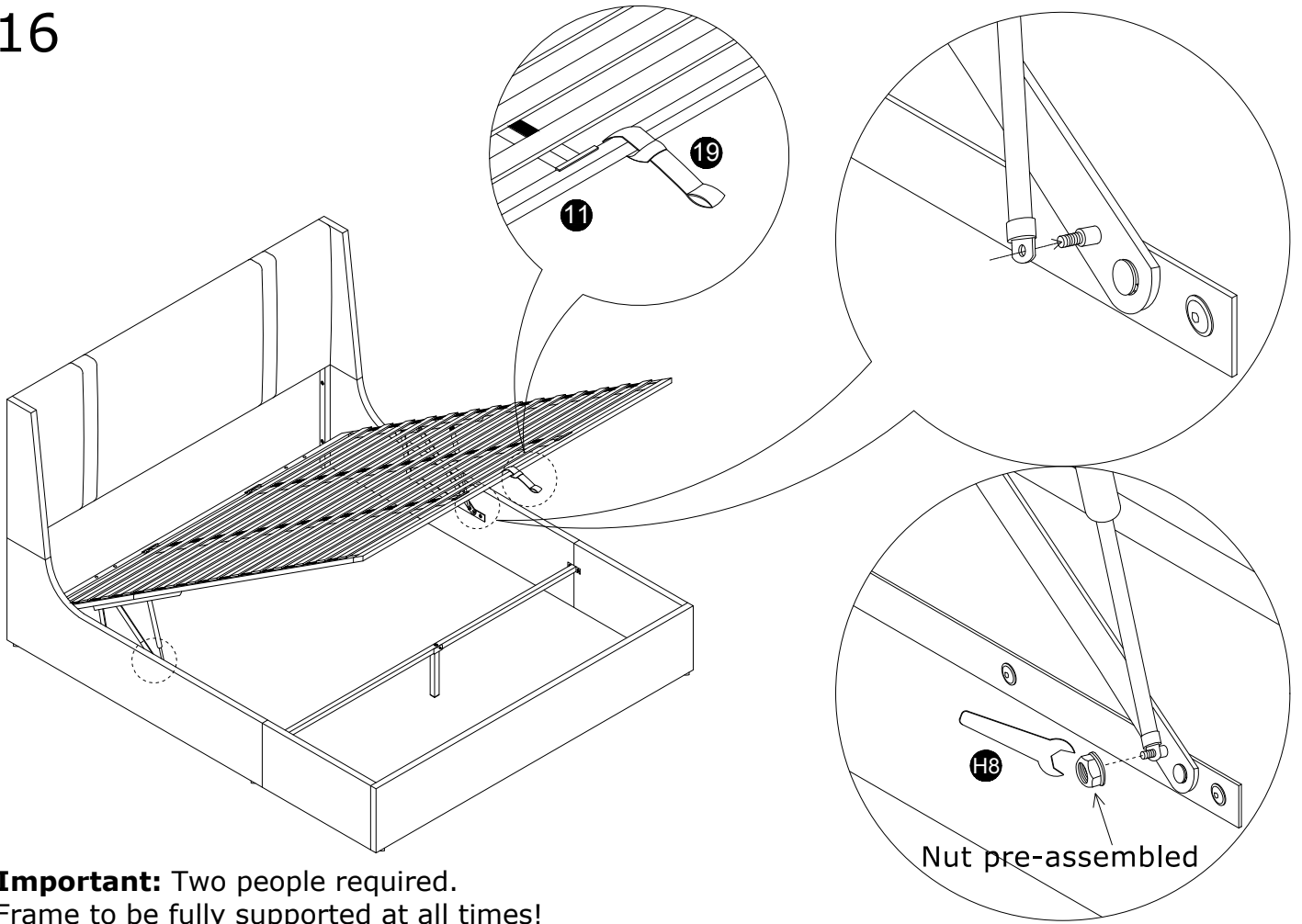


**Beware of risk of entrapment
from folding hinges!**

15

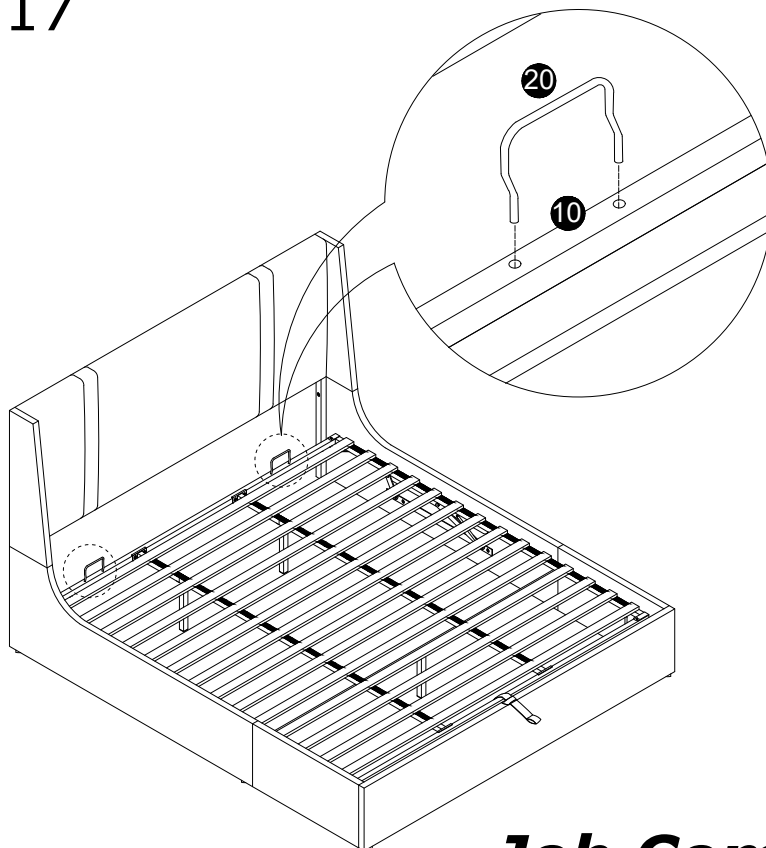


16

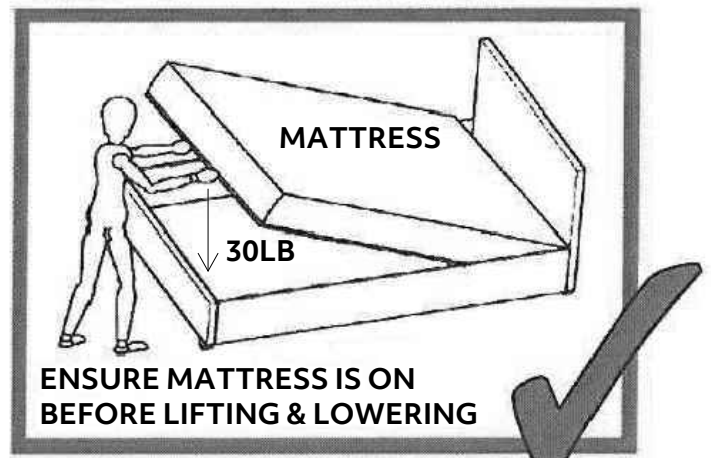


Important: Two people required.
Frame to be fully supported at all times!

17



⚠ Only lift when the mattress is in place.
Place mattress & Carefully lower frame down.
Keep objects/body part & children away from
moving parts.



Job Complete !

In the interest of our environment please dispose of all packaging thoughtfully.