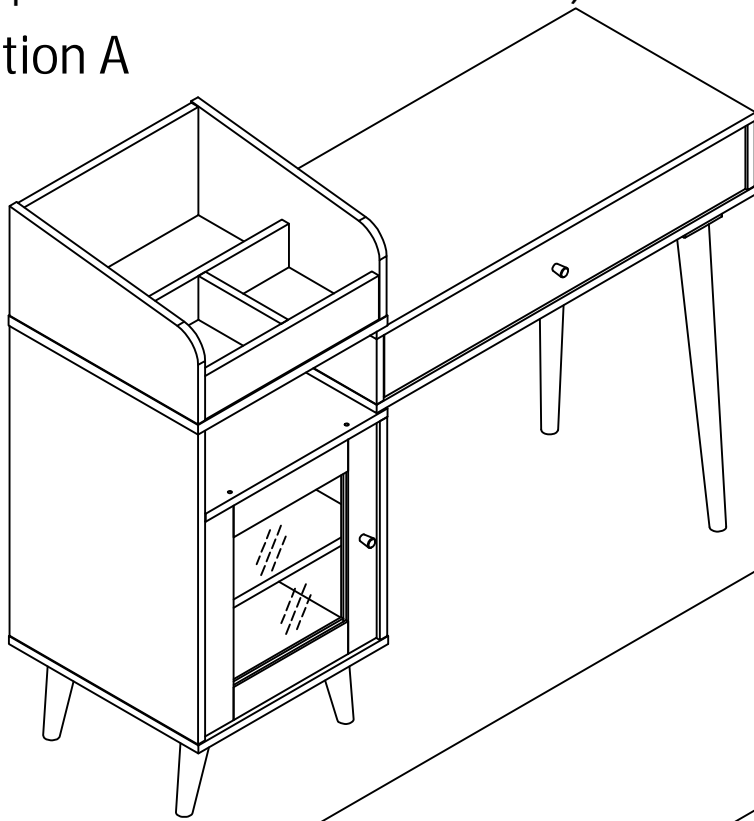


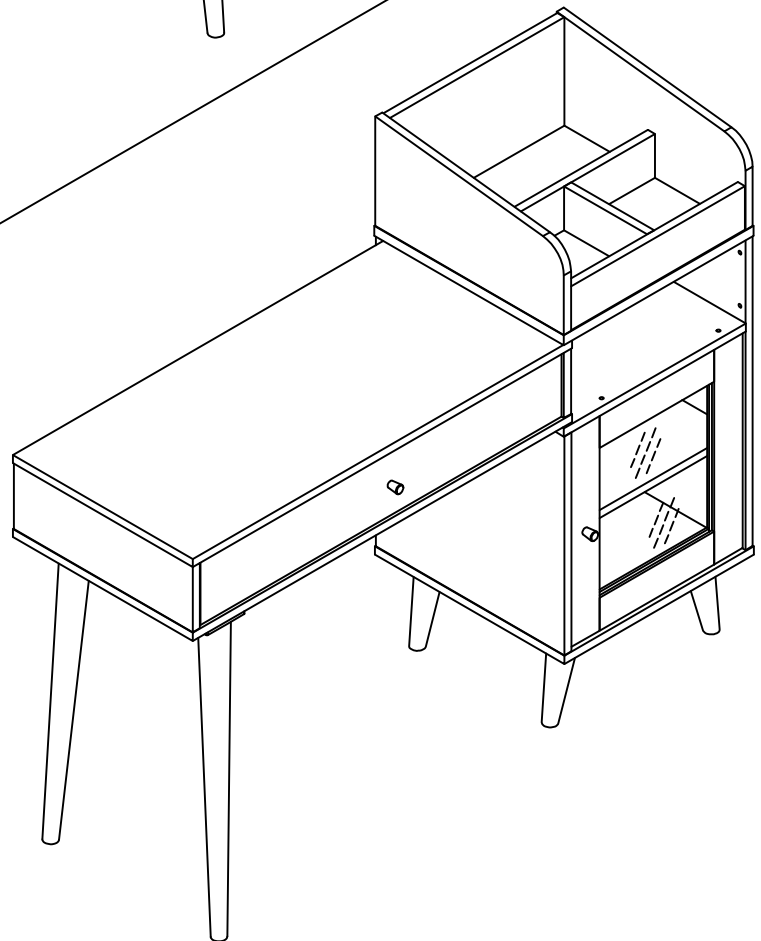
Assembly Guide of Makeup Vanity

The product can be installed left or right direction.
When install the side cabinet in the left side,choose Direction A.
If install the side cabinet in the right side,please choose Direction B.
(It is important to choose the direction)

Direction A

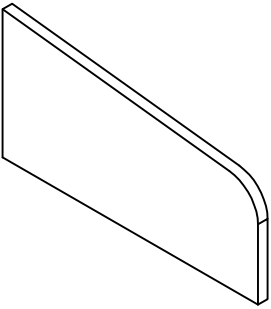
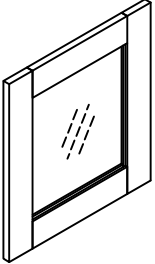
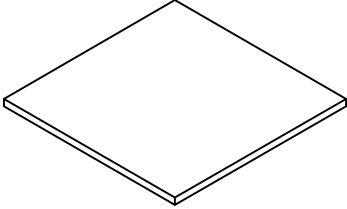
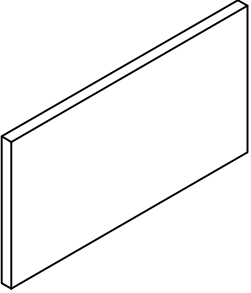
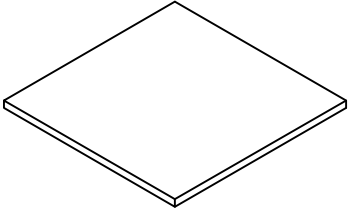
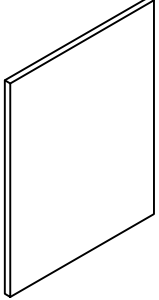
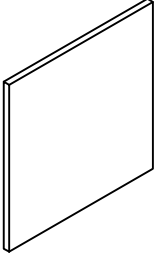
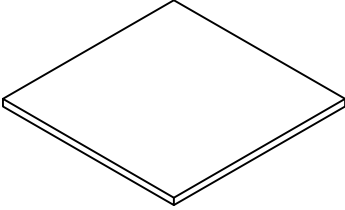
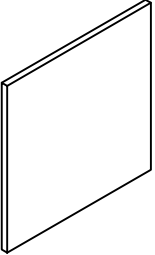
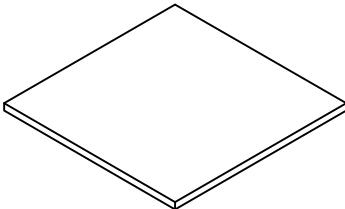
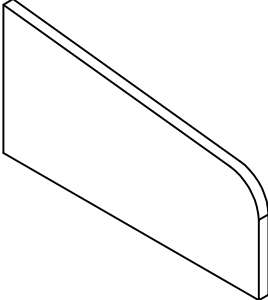
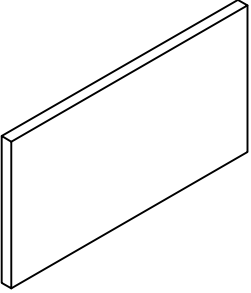
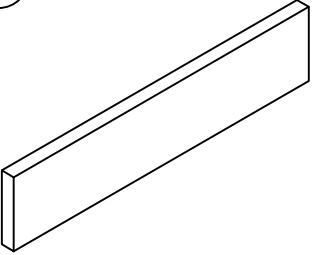
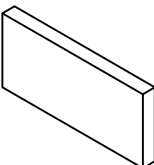
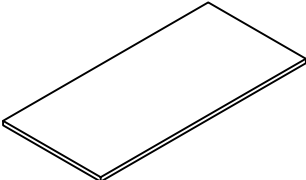
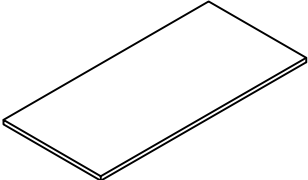
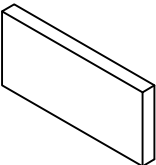
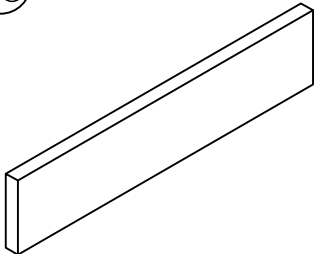
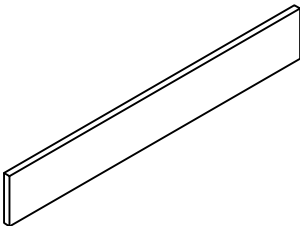
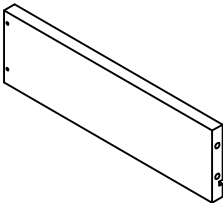


Direction B

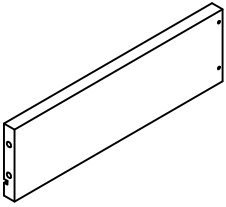
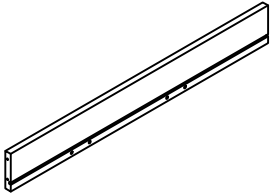
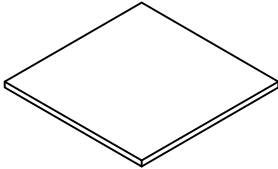
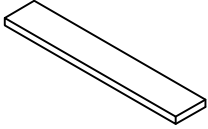
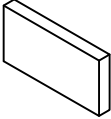
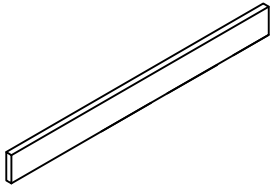
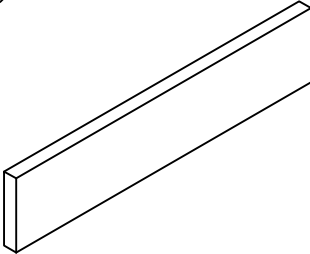
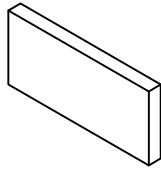


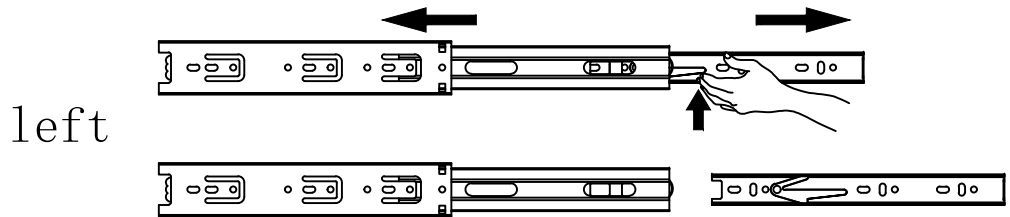
Tips:Do not throw away packing materials until assembly is complete for small parts may come loose inside the carton during shipment.If parts are missing, please contact us.Assemble this item on a soft surface,such as carpet to protect the finish.

PARTS LIST

<p>①</p> 	<p>②</p> 	<p>③</p> 	<p>④</p> 
<p>upper cabinet left side panel=1</p>	<p>side cabinet door panel=1</p>	<p>lower cabinet bottom panel=1</p>	<p>middle cabinet back panel=1</p>
<p>⑤</p> 	<p>⑥</p> 	<p>⑦</p> 	<p>⑧</p> 
<p>lower cabinet panel=1</p>	<p>lower cabinet high side panel=1</p>	<p>lower cabinet inside side panel=1</p>	<p>lower cabinet laminate=1</p>
<p>⑨</p> 	<p>⑩</p> 	<p>⑪</p> 	<p>⑫</p> 
<p>lower cabinet back panel=1</p>	<p>upper cabinet bottom panel=1</p>	<p>upper cabinet right side panel=1</p>	<p>upper cabinet back panel=1</p>
<p>⑬</p> 	<p>⑭</p> 	<p>⑮</p> 	<p>⑯</p> 
<p>upper cabinet cross panel=1</p>	<p>upper cabinet vertical panel=1</p>	<p>top panel of dressing table=1</p>	<p>bottom panel of dressing table=1</p>
<p>⑰</p> 	<p>⑱</p> 	<p>⑲</p> 	<p>⑳</p> 
<p>right side panel of dressing table=1</p>	<p>back panel of dressing table=1</p>	<p>drawer panel of dressing table=1</p>	<p>drawer left side panel of table=1</p>

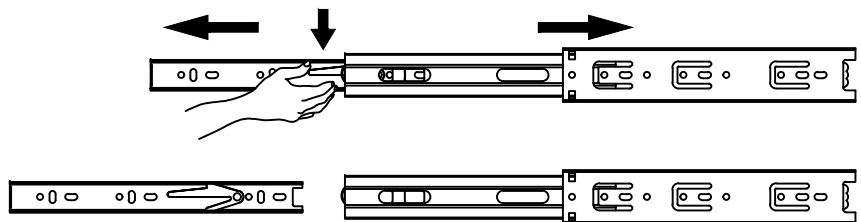
PARTS LIST

<p>21</p> 	<p>22</p> 	<p>23</p> 	<p>24</p> 
<p>drawer right side panel of table=1</p>	<p>drawer back=1</p>	<p>drawer bottom panel=1</p>	<p>drawer bottom brace of table=2</p>
<p>25</p> 	<p>26</p> 	<p>27</p> 	<p>28</p> 
<p>vertical decoration panel of table=3</p>	<p>cross decoration panel of table=1</p>	<p>upper cabinet cross panel=1</p>	<p>left side panel of table=1</p>

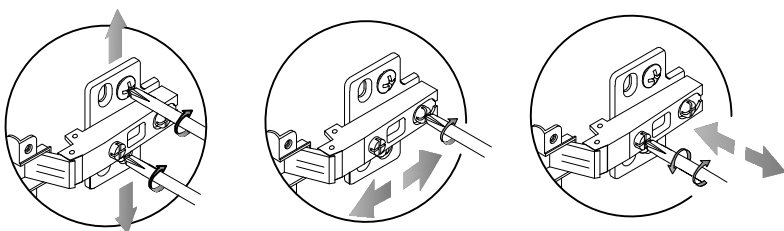
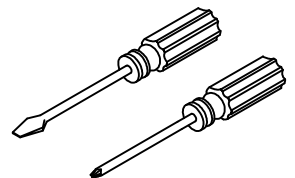


The methods of disassembling guide rails

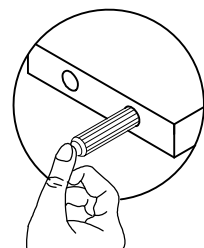
right



Phillips head screw driver required for assemble---not included

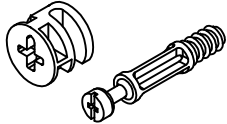
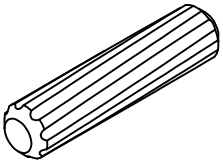
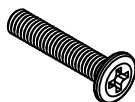
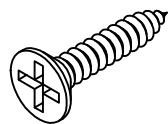
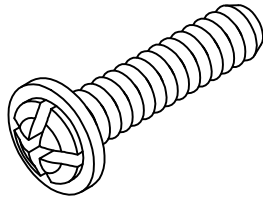
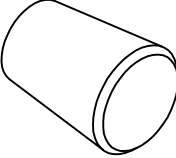

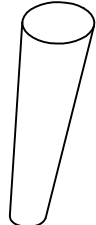
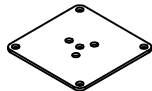
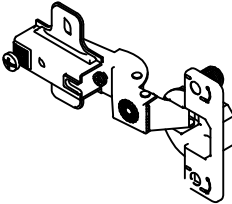
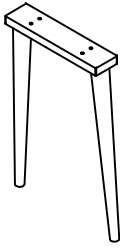

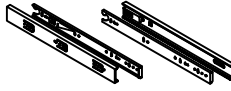



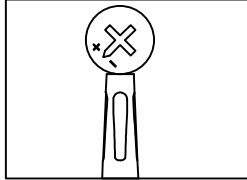
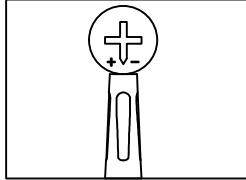



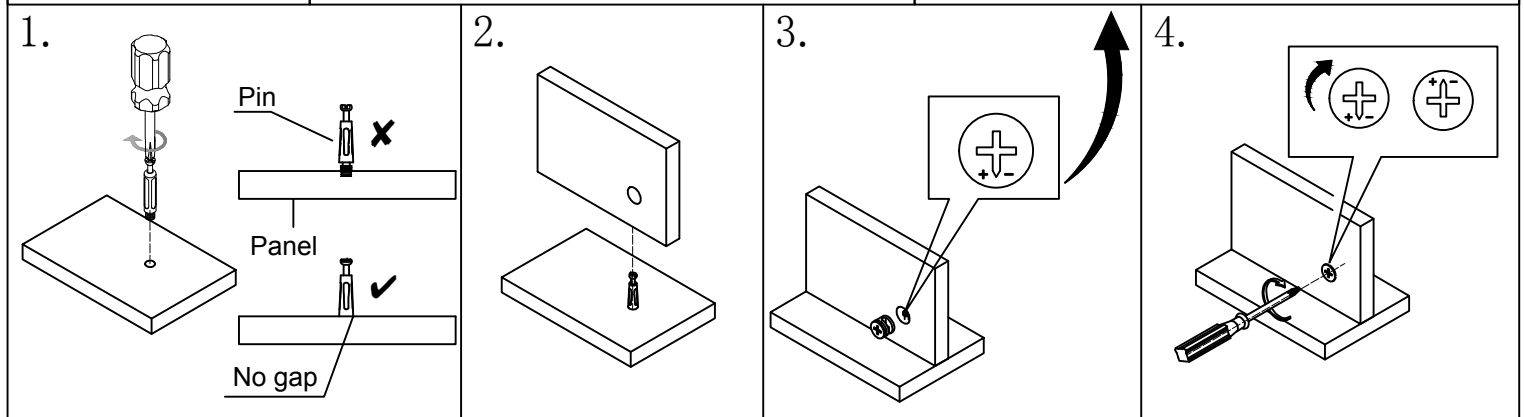
Part(J) installation schematic process



Part(B) installation schematic process

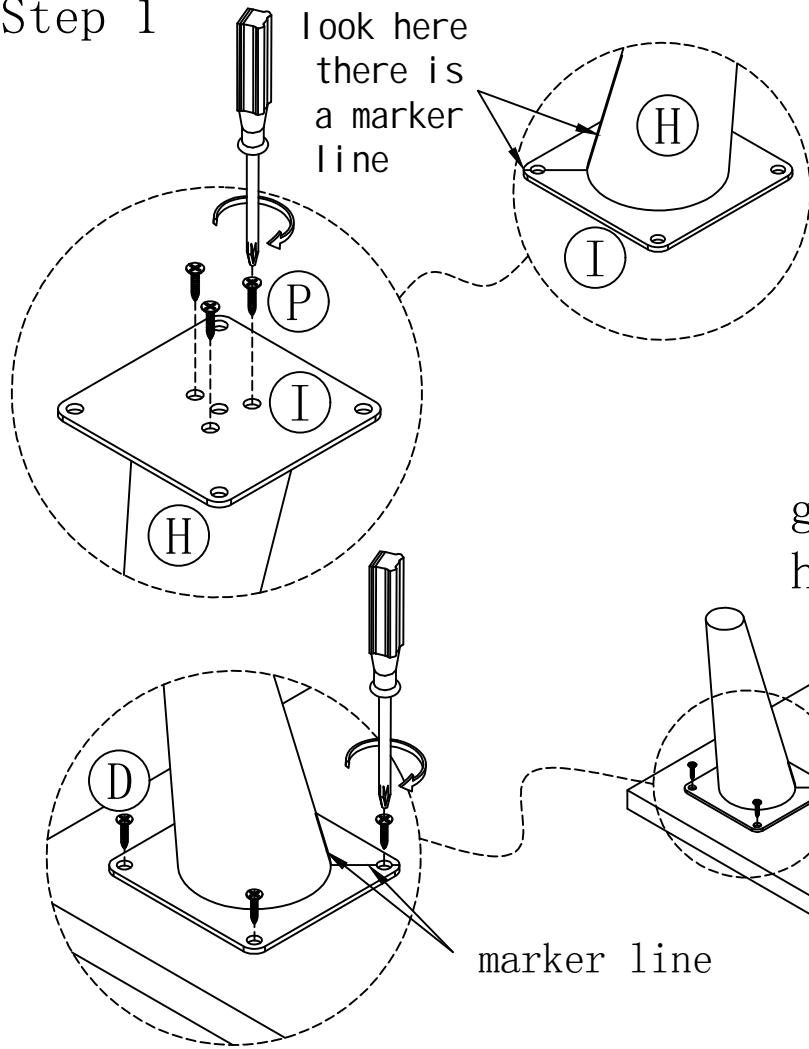
HARDWARE LIST

A	B	C	D	E
				
3 in 1 bolts and connecting pieces=68	8*30 wood dowels=10	6*40 big flat screws=4	3.5*14 self-tapping screws=60	4*18 handle screws=2
F	G	H	I	J
				
copper handle=2	black pads=4	small short solid wood legs=4	70*70 iron sheets=4	large curved door hinges=2
K	L	M	N	P
				
long solid wood legs=1	3.5*40 self-tapping screws=4	12 inch guide rails=1	black hole stickers=58 khaki hole stickers=20	4*20 self-tapping screws=16
 Bolt	 X		 ✓	
 Connecting piece	Adjust connecting piece direction until it is properly lined up with the hole.		Insert bolt when connecting piece direction is properly lined up.	



Step 1

look here
there is
a marker
line



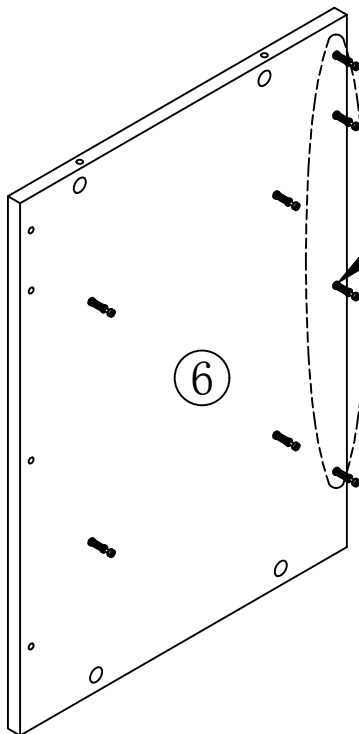
P=12, D=16, H=4, I=4, O=4

1. Align the marker line of (H) and (I), then connect (I) and (H) with (P).
2. Align the marker line of (I) on the guide hole of panel ③, and then connect them with part (D).

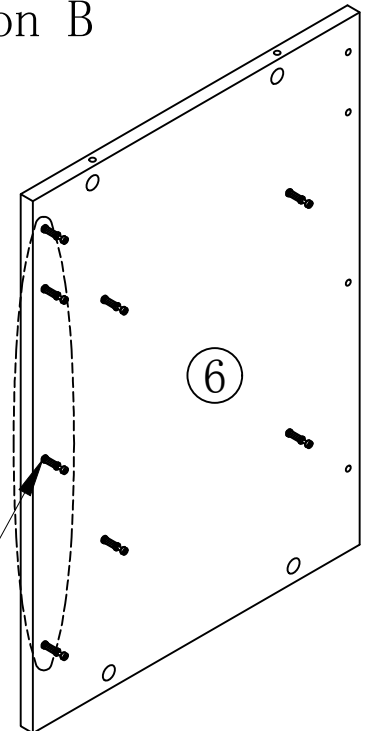
Step 2

Noted: When you install panel ⑥, pay attention to choose one direction (A) or (B). Don't install the screws on the direction you don't need.

Direction A



Direction B

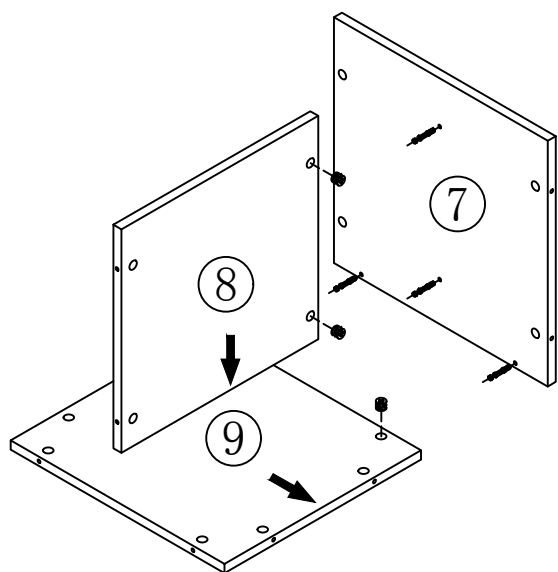


The holes
in Direction B.

Step 3

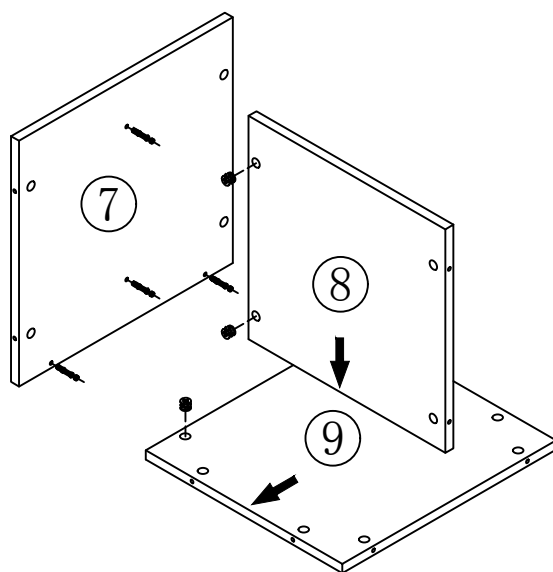
Noted: Pay attention to the direction of the arrow when you install panel ⑧.

Direction A



Connect panel ⑦⑧⑨ with 4 pcs(A).

Direction B

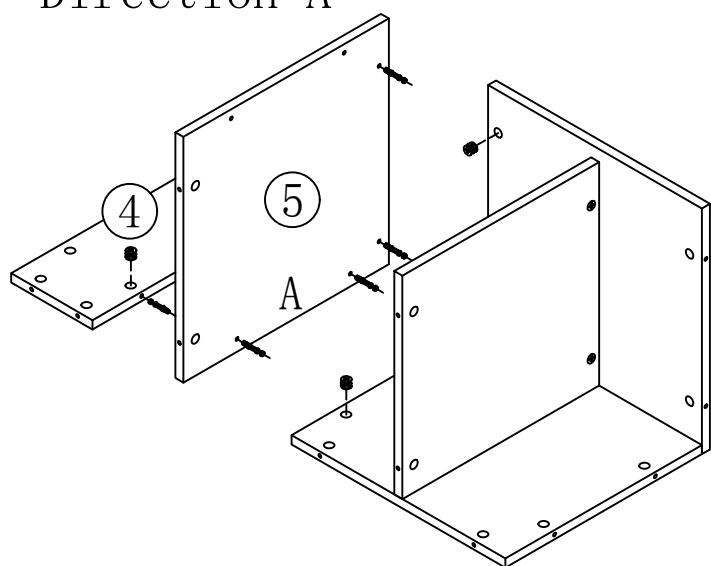


Connect panel ⑦⑧⑨ with 4 pcs(A).

Step 4

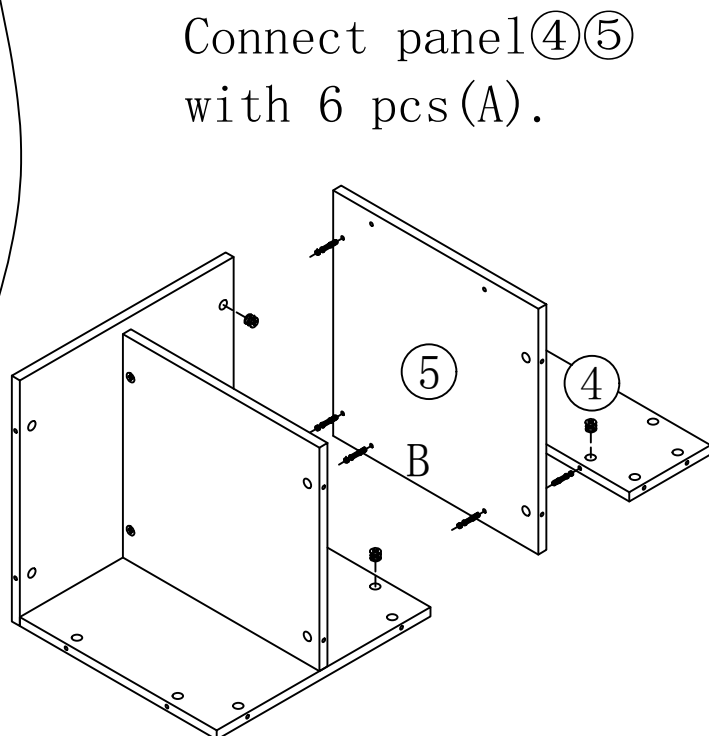
Noted: Pay attention to choose the direction (A) or (B) when you install panel ④⑤.

Direction A



Connect panel ④⑤ with 6 pcs(A).

Direction B

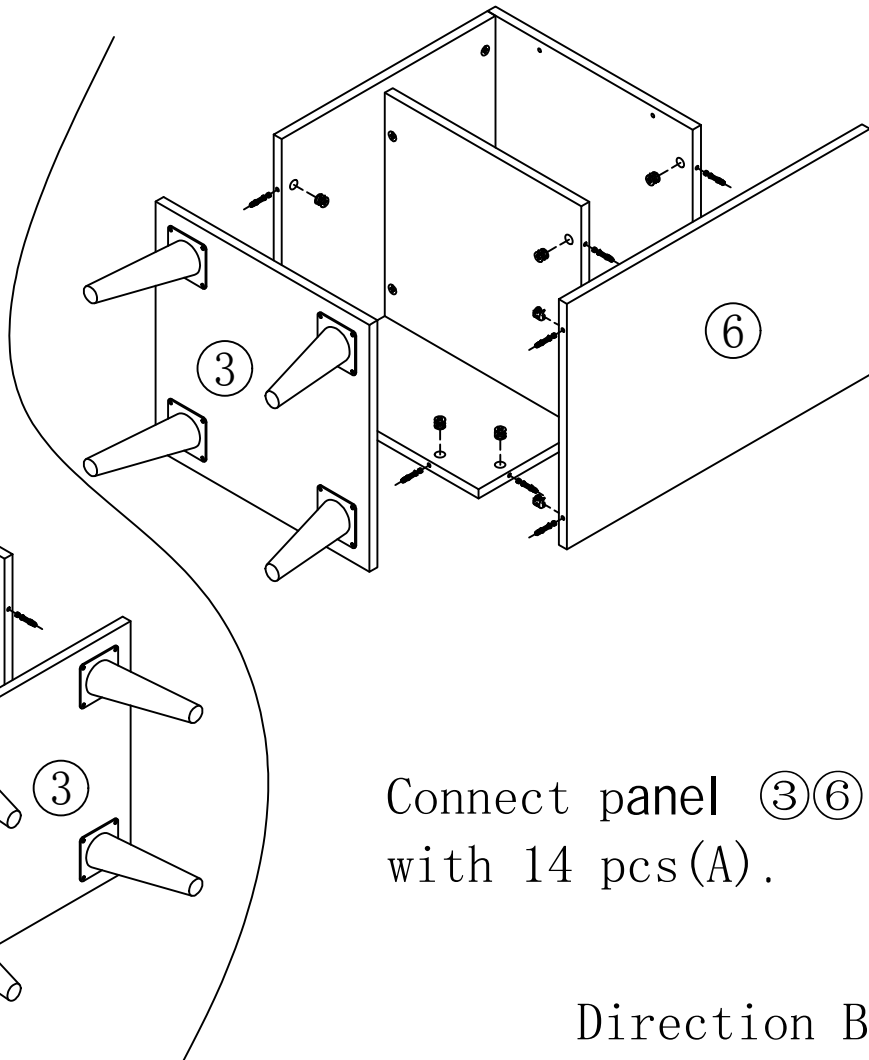
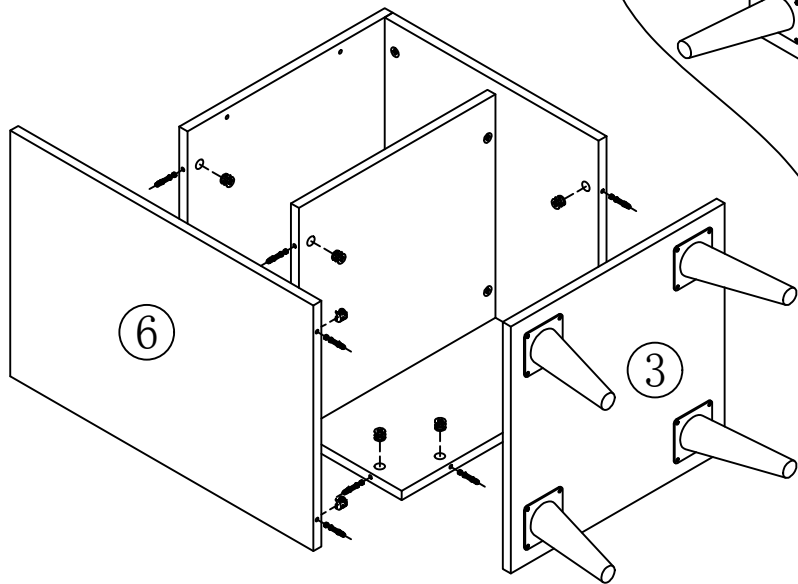


Connect panel ④⑤ with 6 pcs(A).

Step 5

Direction A

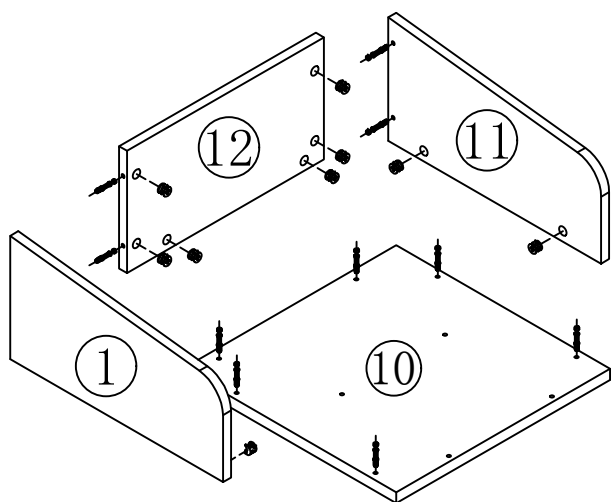
Connect panel ③⑥
with 14 pcs (A).



Connect panel ③⑥
with 14 pcs (A).

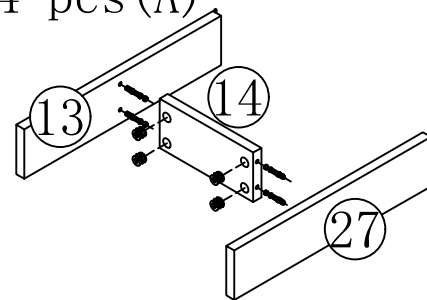
Direction B

Step 6

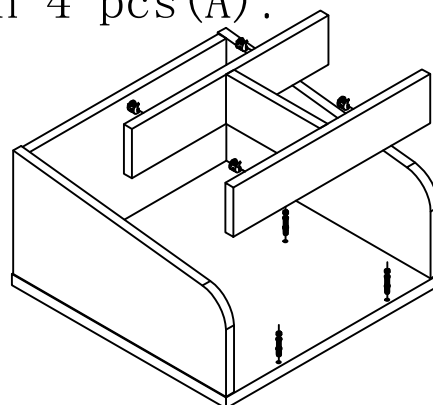


Connect ①⑩⑪⑫
with 10 pcs (A).

Connect ⑬⑭⑳
with 4 pcs (A)

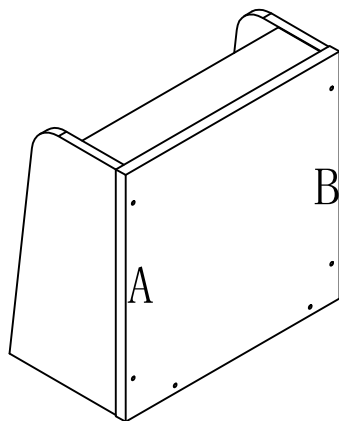
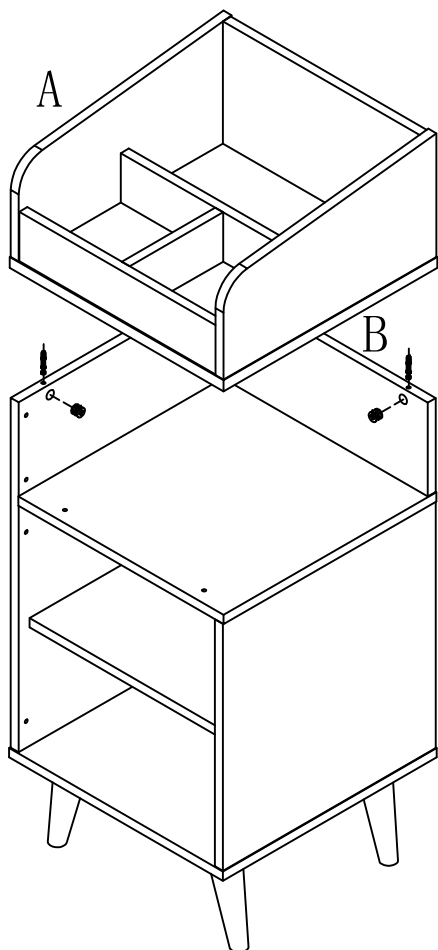


Connect ①⑩⑪⑫⑬⑭⑳
with 4 pcs (A).

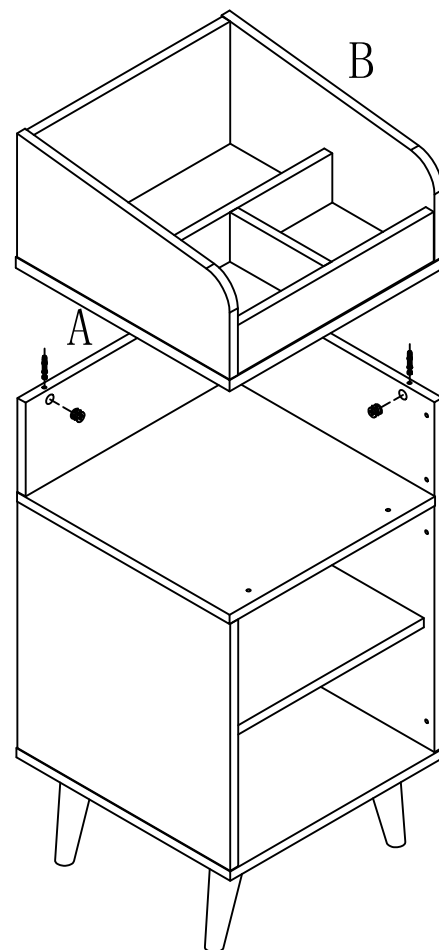


Step 7

Direction A



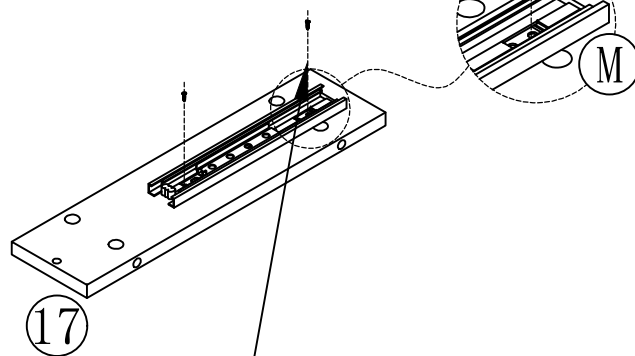
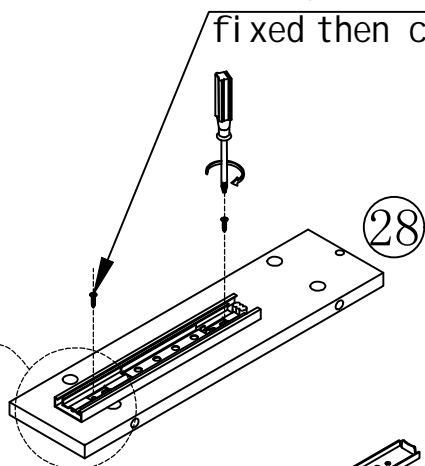
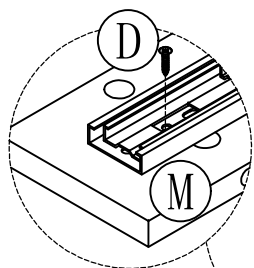
Direction B



Connect the upper and lower cabinet with 4 pcs (A).

Step 8

Here the screws do not tighten up first, until the panel 28 and 16 already fixed then can tighten up.



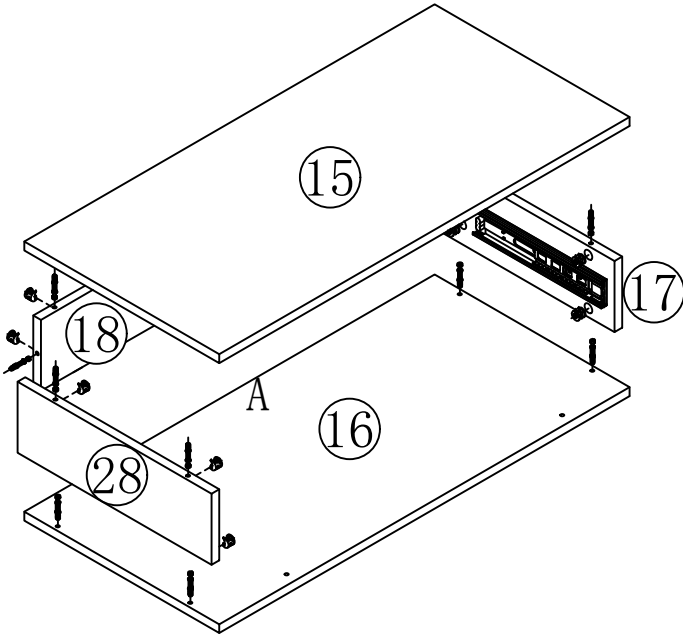
Use 4 pcs (D) and 1 pcs (M) to connect 28 and 17.

Here the screws do not tighten up first, until panel 17 and 16 already fixed then can tighten up.

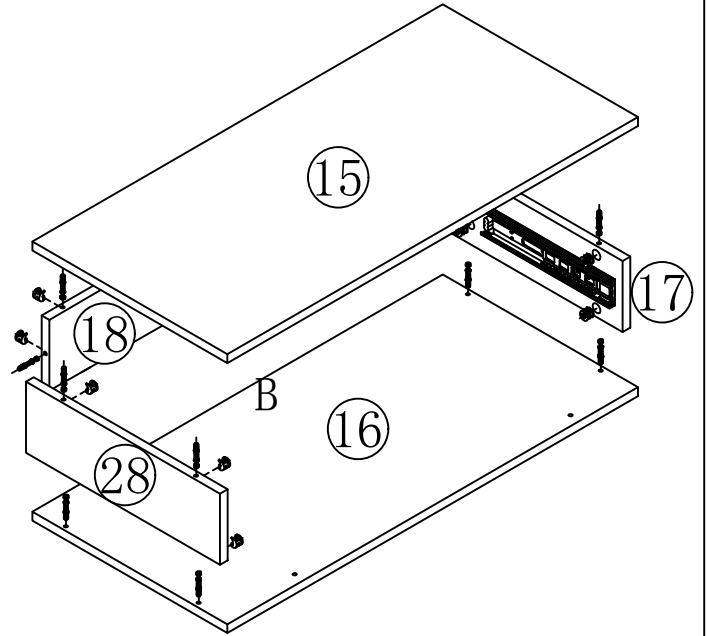
Step 9

Noted: Pay attention to choose the direction (A) or (B) when install panel ⑩.

Direction A

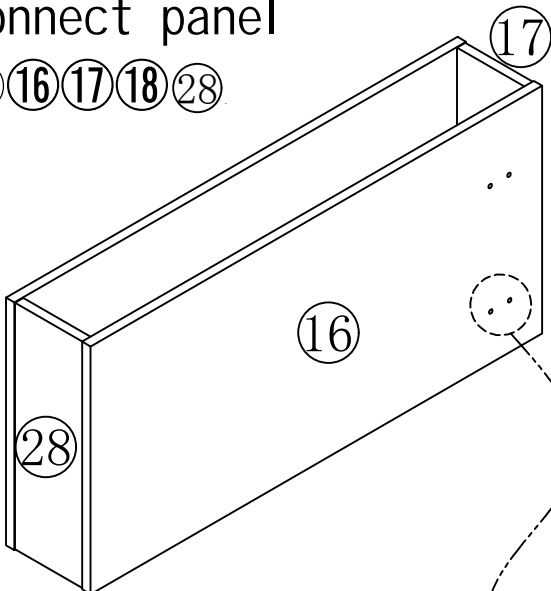


Direction B



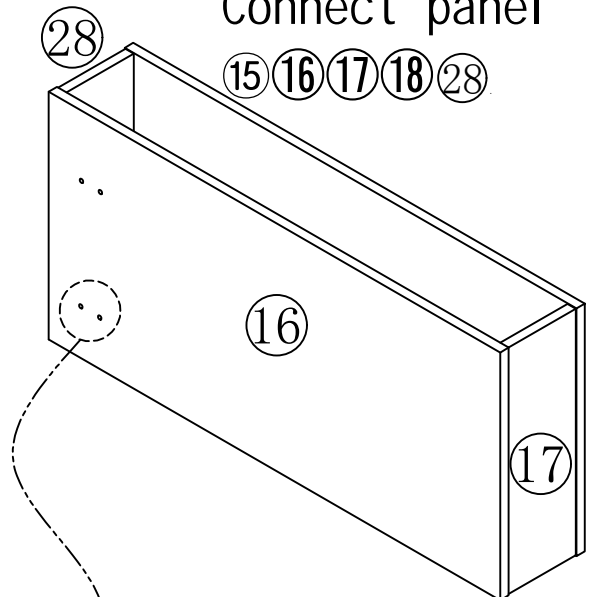
Use A=14,
Connect panel

⑩⑪⑫⑬⑭



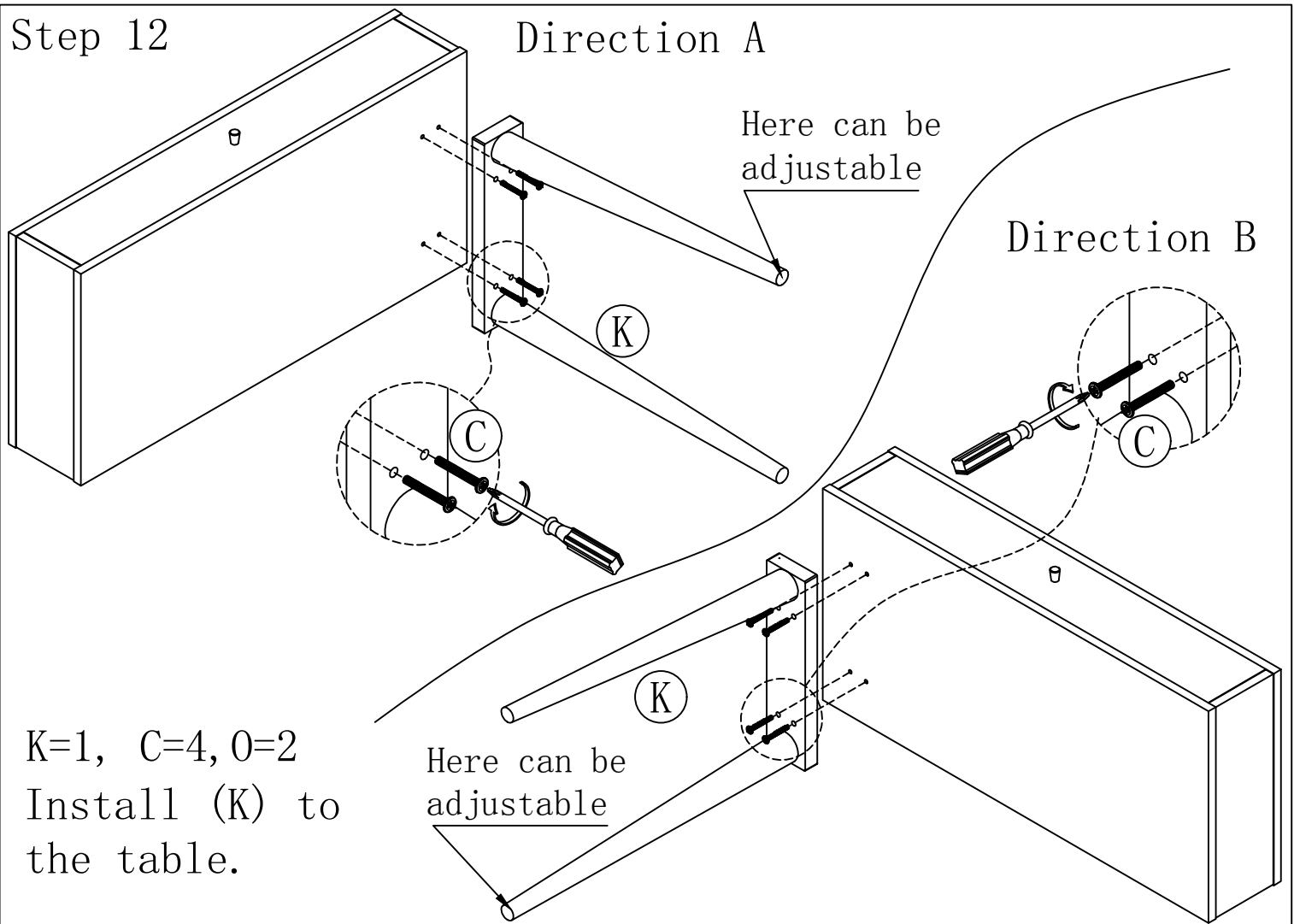
Use A=14,
Connect panel

⑩⑪⑫⑬⑭



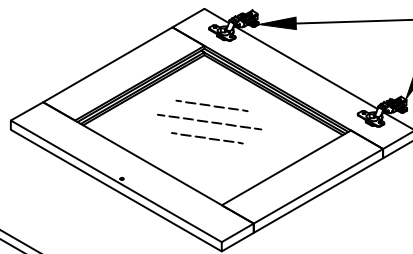
Follow Step 7 to confirm the direction of the side cabinet,
Panel ⑩ only has one hole for assembling solid wood leg
It is according to the direction of the side cabinet.

Step 12

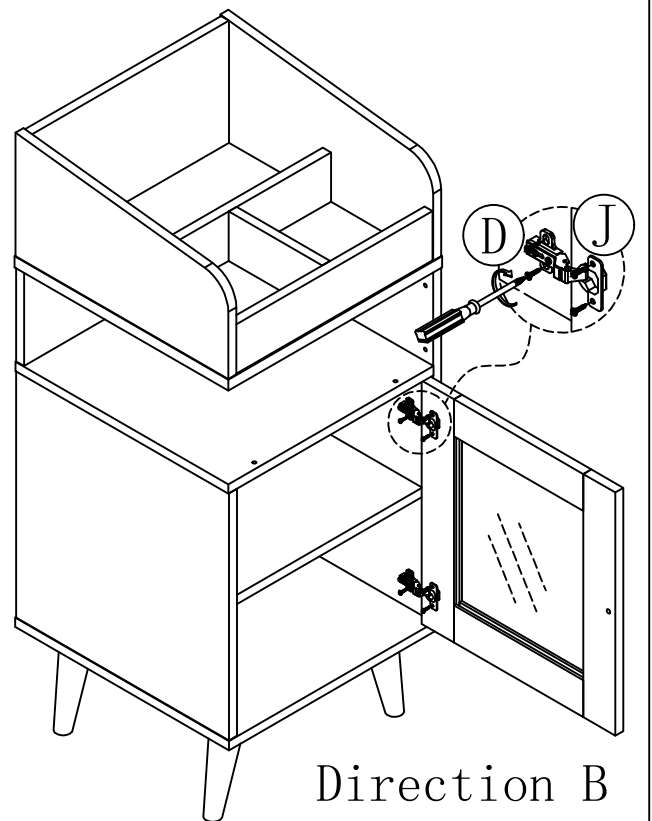
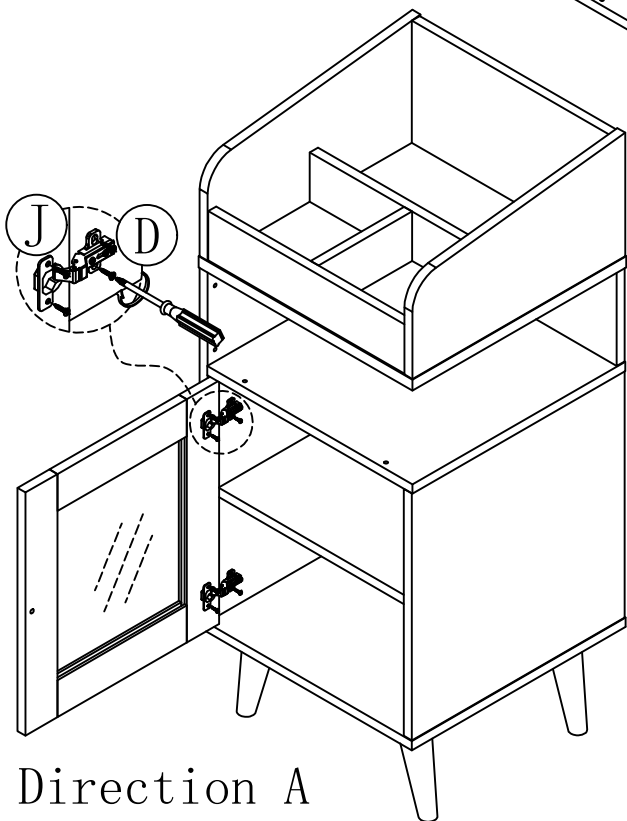


Step 13

Use part (D) to install part (J) on panel ② on the side cabinet.

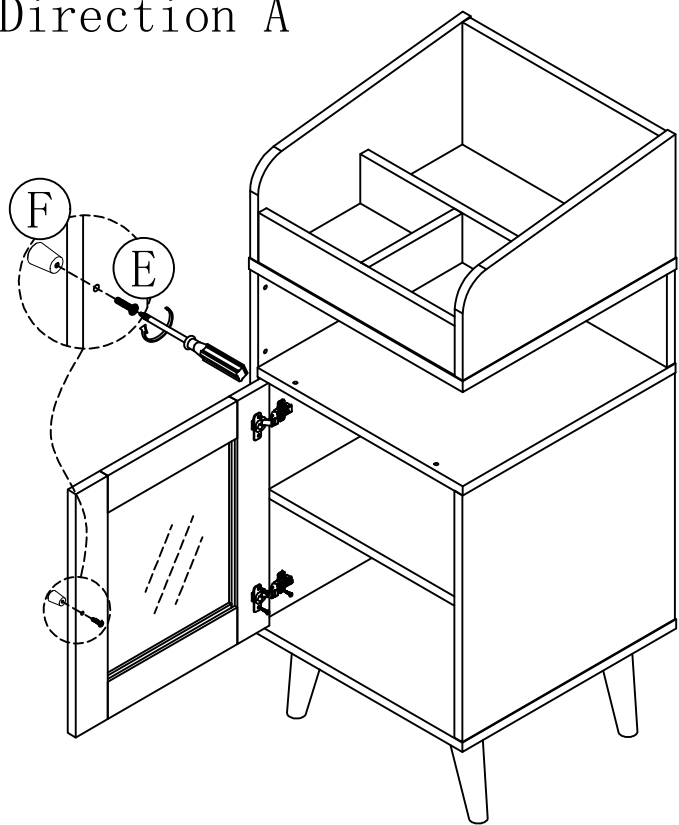


Note: The edge of the door hinge should be level with the edge of the door panel before locking.

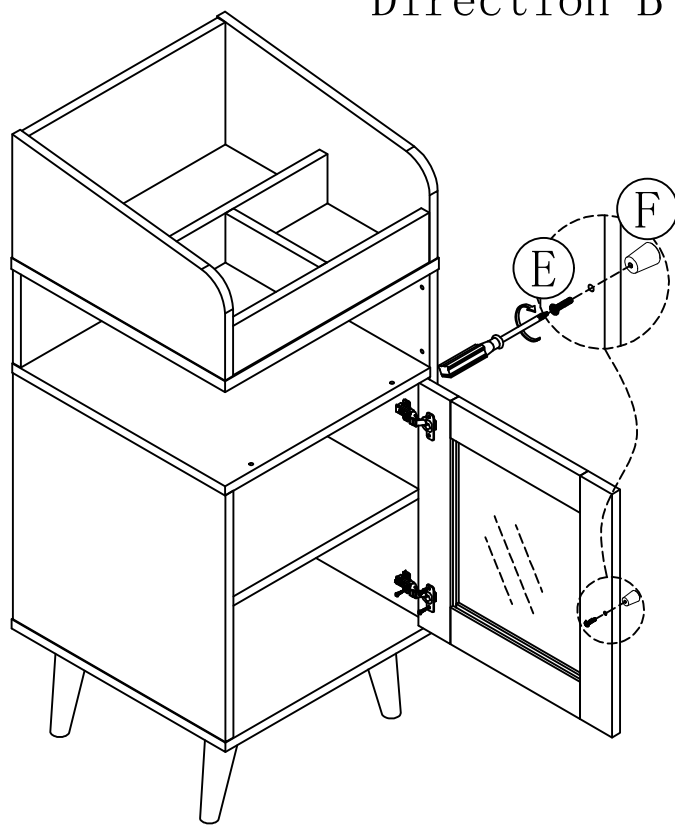


Step 14

Direction A



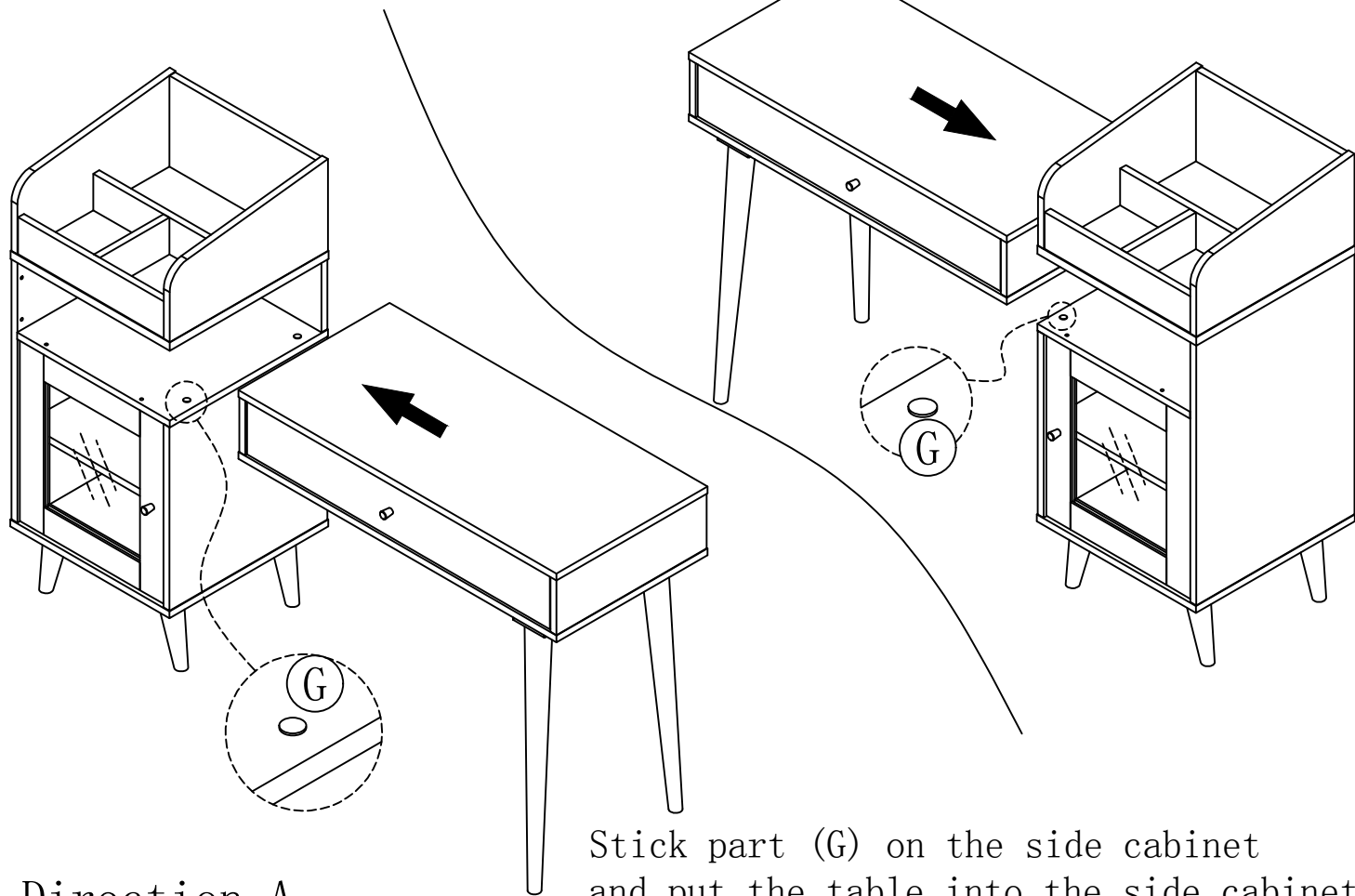
Direction B



Install part (F) on panel ② with (E).

Step 15

Direction B



Stick part (G) on the side cabinet and put the table into the side cabinet.