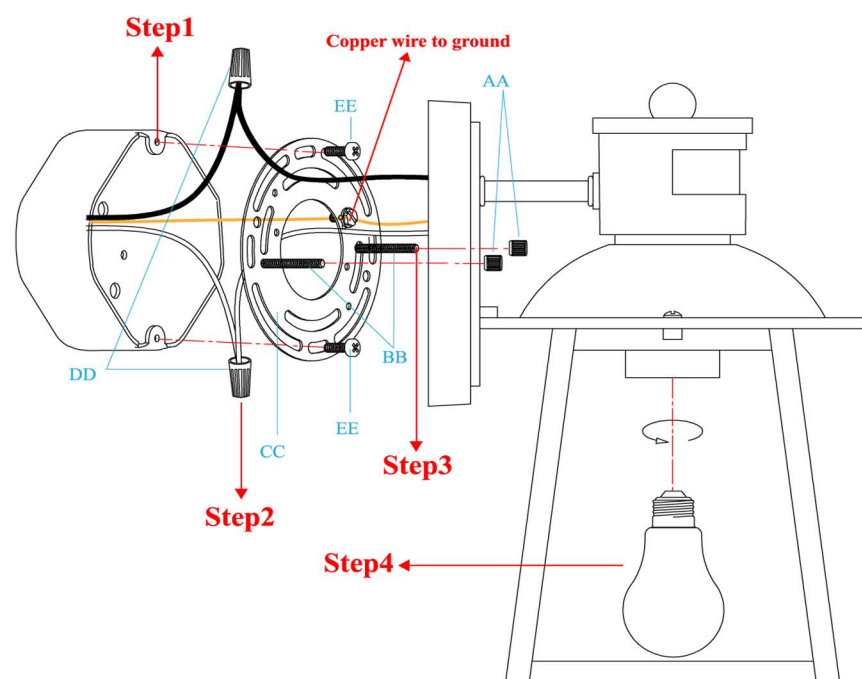


Installation Instructions:

1. Attach the crossbar to the outlet box(not included)with the short mounting screws.
2. Strip 3/4 in. of insulation from wire ends .Twist stripped ends together with pliers(not included), black to black (power) and white to white (neutral). Attach copper wire to ground wire, then attach wire nuts. Tape wire nuts and wires together.
3. Place the wall light fixture onto the crossbar. Secure with long mounting screws.
4. Installing a light bulb (not included). Use an E26 standard-based bulb.

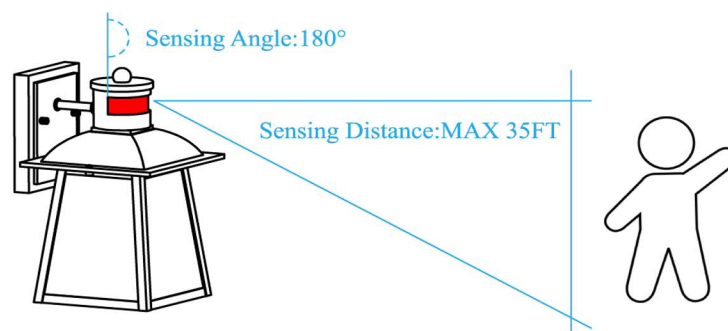
Helpful tips: If necessary, attach copper wire ground wire to the ground outlet box.

CAUTION : To avoid any waterproofing problems , please make sure the light fixture fits the mounting surface perfectly installation and use waterproof glue around the canopy for better sealing after installation.



Product Function:

1. **Boot Warm-Up Time (TON):** 15±5 Sec(It can be used normally after the power-on warm-up time is over.)
2. **Light Control Function + Motion Sensor Function:**
 - A).Daytime:** The wall lamp turn off. But when the brightness of the ambient light reaches the lumen value of the starting light: 5~100LUX, the wall lamp will light up 30% of the brightness (for example, in rainy days and other weather with dim ambient light).
 - B).Dusk:** When the ambient light brightness reaches the lumen value of the starting light: 5~100LUX, the wall lamp lights up at 30% brightness. After detecting the activity, the wall lamp will switch to 100% brightness; When the wall lamp continues to monitor activity, it will continue to light up at 100% brightness; When the wall lamp cannot detect any activity, it will turn to 30% brightness after 120±30 seconds.
 - C).**The ambient light brightness reaches the lumen value of turning off the light: Max 800LUX, the wall lamp will automatically go out in 30±10 seconds.



Notice:

1. Please cut off the electricity supply before installation.
2. Compatible with a variety of E26 bulb types, Max 60W. When the bulb reaches the end of its life or is partially short-circuited, at this time, please turn off the power, replace the bulb, and use it as usual.
3. The product is NOT a toy. To avoid risk of fire, burns, personal injury or electric shock, please install in a place where children cannot reach.
4. Please don't put the lamp in the overheating working conditions or cast it into the fire.
5. DO NOT install near gas or electric heaters, fire, candles or any dangerous places.
6. Must be hardwired, there is not a switch or plug in the light fixture itself. (Recommended installed by a qualified electrician)

Warranty:

1. During the warranty period, provides a service including refund or replacement without charge to those who use the device in accordance with its intended use.
2. This warranty does not cover:
 - (A). Failure or damage due to the improper use, repair or remodeling.
 - (B). Failure or damage because of falling.
 - (C). Failure or damage caused by fire, earthquakes, floods, lightning and other natural disasters.
 - (D). Failure or damage when used other than its intended use.
 - (E). Failure or damage caused by third-party products other than this device.

After-sales Service Guarantee:

24 months warranty is provided for this device from the date of purchase. If you have any issues or queries when using this device, please contact us.

Note: An order ID with a detailed description or image is preferred when contacting our customer service if possible.