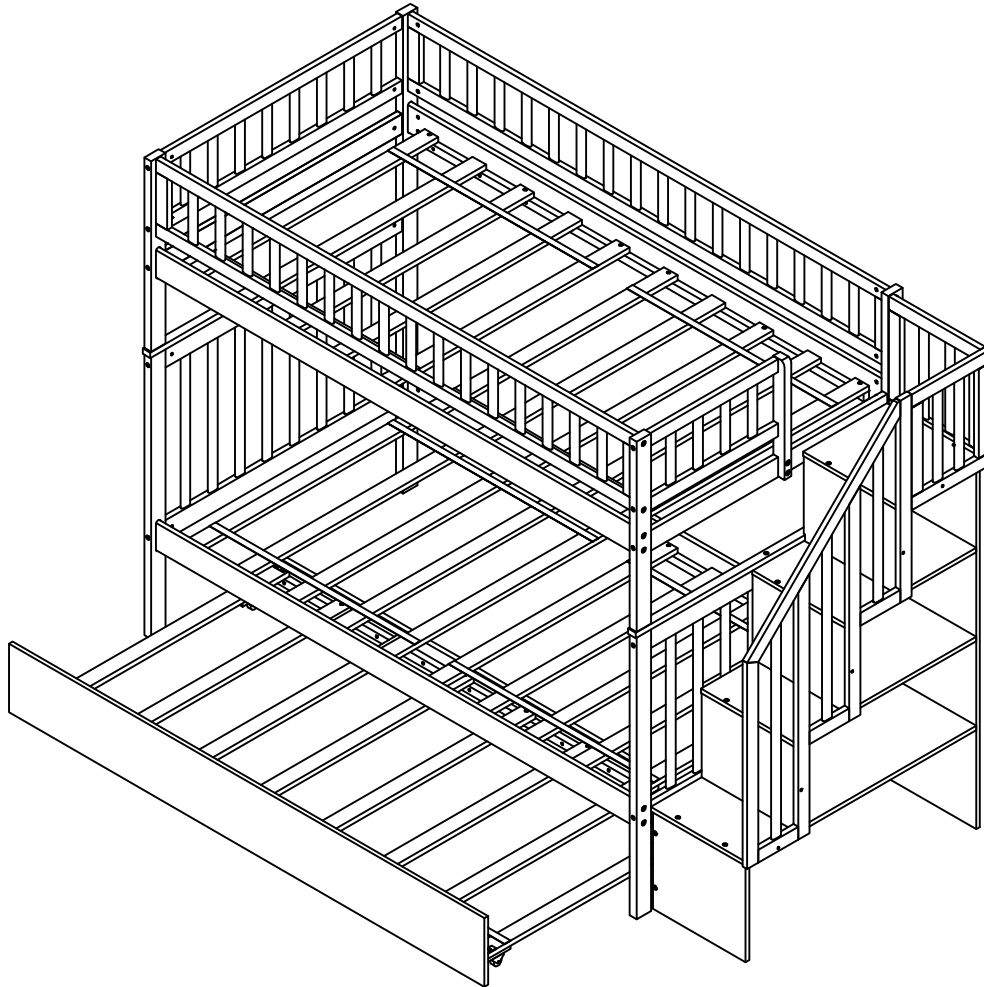


# ASSEMBLY INSTRUCTIONS

## TWIN/TWIN/TRUNDLE BUNK BED



This set is included 2 boxes if don't receive full 2 boxes please contact our customer service team.

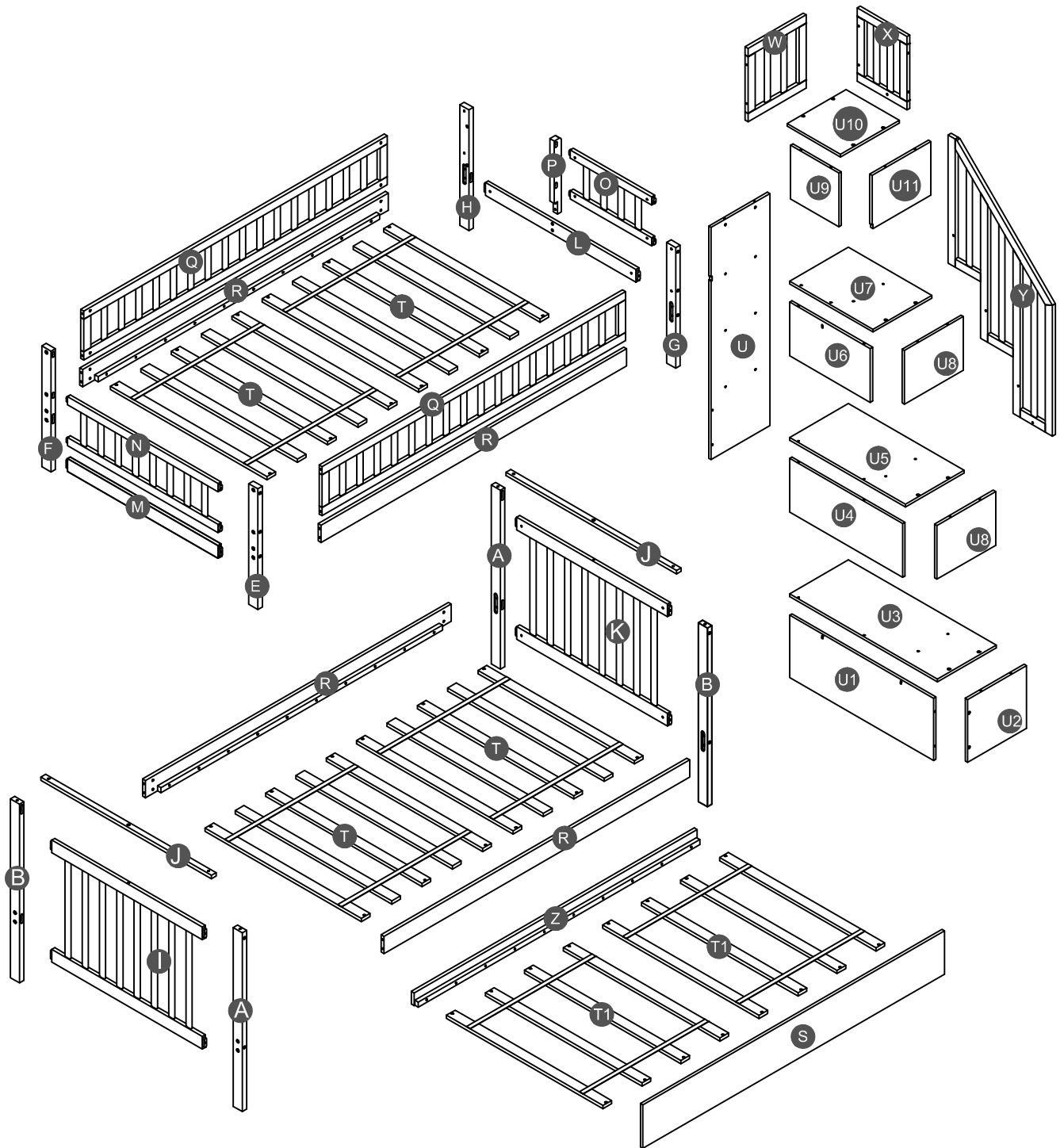
PLEASE DO **NOT** RETURN PRODUCT TO THE STORE.  
If you have any problems or concerns, please feel free to contact our customer service department. We will reply to you at the first time.



E-Mail: [csr@merax.com](mailto:csr@merax.com)  
Tel: 626-912-8886 Ext.100

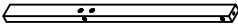
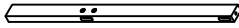
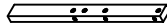




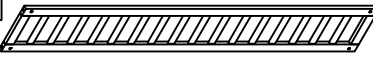

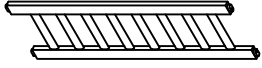

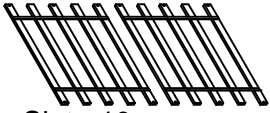
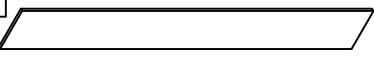

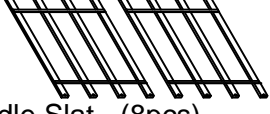
WF195721/WF195722

# Detail View

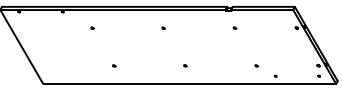



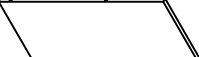
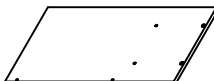
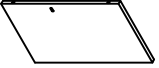



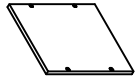

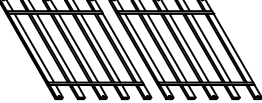
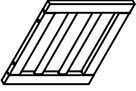
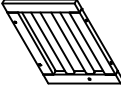


# Part List

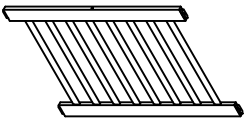
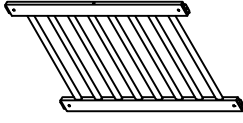
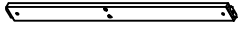
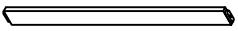

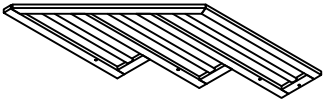
## Hardware List WF195721

<b>A</b>		<b>B</b>		<b>E</b>	
Lower leg(Left ) - 2pcs		Lower leg (Right )- 2pcs		Upper leg(Left front) - 1pc	
<b>F</b>		<b>G</b>		<b>H</b>	
Upper leg(Right back) - 1pc		Upper leg (Right front)- 1pc		Upper leg (Left back)- 1pc	
<b>J</b>		<b>Q</b>		<b>R</b>	
Cap for lower HB&FB-2pcs		Upper front & back side rail-2pcs		Lower&upper side rail - 4pcs	
<b>N</b>		<b>O</b>		<b>T</b>	
Upper HB - 1pc		Upper FB - 1pc		Upper Slat - 10pcs	
<b>S</b>		<b>Z</b>		<b>T1</b>	
Trundle front panel - 1pc		Trundle back panel - 1pc		Trundle Slat - (8pcs)	

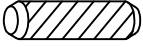
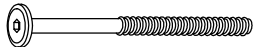
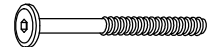
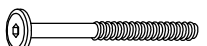









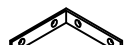

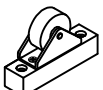
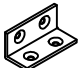
## WF195722

<b>U</b>		<b>U1</b>		<b>U2</b>	
Back panel - 1pc		Lower left side panel - 1pc		Lower front panel - 1pc	
<b>U3</b>		<b>U4</b>		<b>U5</b>	
Lower step ladder panel -1pc		Lower left side panel - 1pc		Lower step ladder panel -1pc	
<b>U6</b>		<b>U7</b>		<b>U8</b>	
Lower left side panel - 1pc		Lower step ladder panel -1pc		Lower front panel - 2pcs	
<b>U9</b>		<b>U10</b>		<b>U11</b>	
Upper left side panel - 1pc		Upper step ladder panel -1pc		Upper front panel - 1pc	
<b>T</b>		<b>W</b>		<b>X</b>	
Lower Slat - 10pcs		Upper guard back - 1pc		Upper guard side - 1pc	

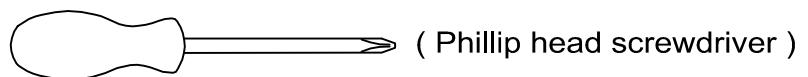
# Part List

<b>I</b>  Lower HB - 1pc	<b>K</b>  Lower FB - 1pc	<b>L</b>  Horizontal upper bar FB-1pc
<b>M</b>  Horizontal upper bar HB-1pc	<b>P</b>  Support guard rail - 1pc	<b>Y</b>  Guard side - 1pc

# Hardware List

<b>1</b>  Ø8*30mm Wood dowel (12pcs)	<b>2</b>  (Ø15)1/4"*100mm Hex-Head bolts (18pcs)	<b>3</b>  (Ø15)1/4"*80mm Hex-Head bolts (24pcs)
<b>4</b>  (Ø12)1/4"*70mm Hex-Head bolts (2pcs)	<b>5</b>  (Ø12)1/4"*60mm Hex-Head bolts (37pcs)	<b>6</b>  (Ø12)1/4"*35mm Hex-Head bolts (2pcs)
<b>7</b>  (Ø12)1/4"*30mm Hex-Head bolts (3pcs)	<b>8</b>  1/4"*15 (9.5mm) Horizontal-Hole bolts(79pcs)	<b>9</b>  Ø9*90mm Connecting bar (4pcs)
<b>10</b>  (Ø12)1/4"*40mm Hex-Head bolts (2pcs)	<b>11</b>  (1/4")4.5*58mm Allen key (1pc)	<b>12</b>  Ø4*30mm Wood screws (48pcs)
<b>13</b>  Ø1/4"*19*2mm Flat Washer (3pcs)	<b>14</b>  95*95*18*3mm Metal bracket (2pcs)	<b>15</b>  Ø3.5*15mm Wood screws (16pcs)
<b>16</b>  100*63*20mm Wheels (4pcs)	<b>17</b>  40*18*18*2mm Metal bracket (2pcs)	

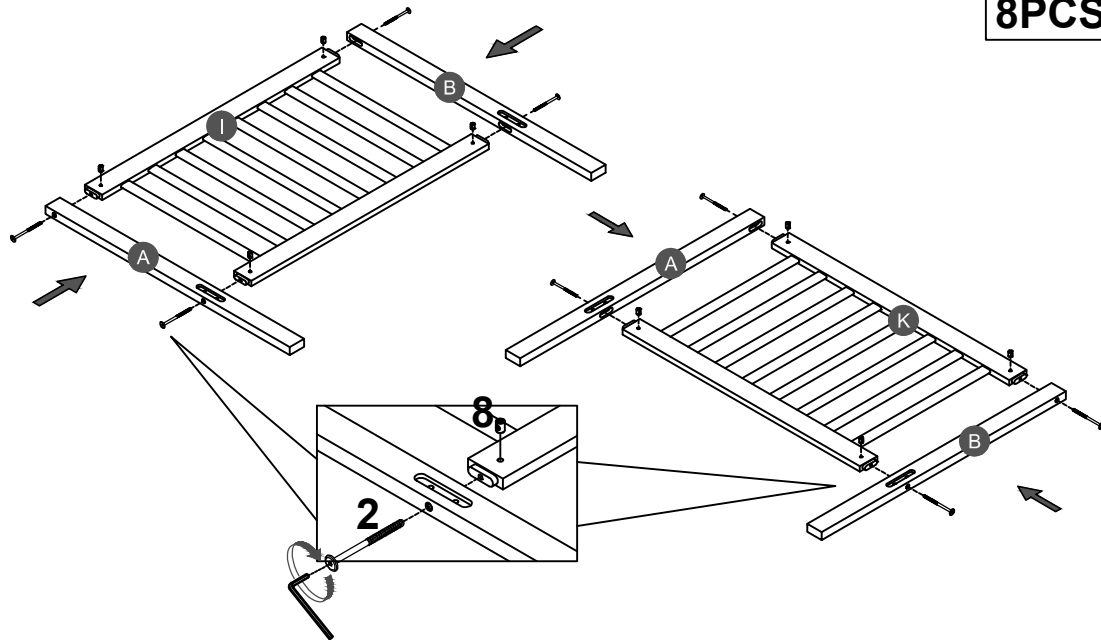
## ASSEMBLY TOOLS REQUIRED ( NOT INCLUDED )





DO NOT USE POWER TOOLS TO ASSEMBLE THIS PRODUCT !

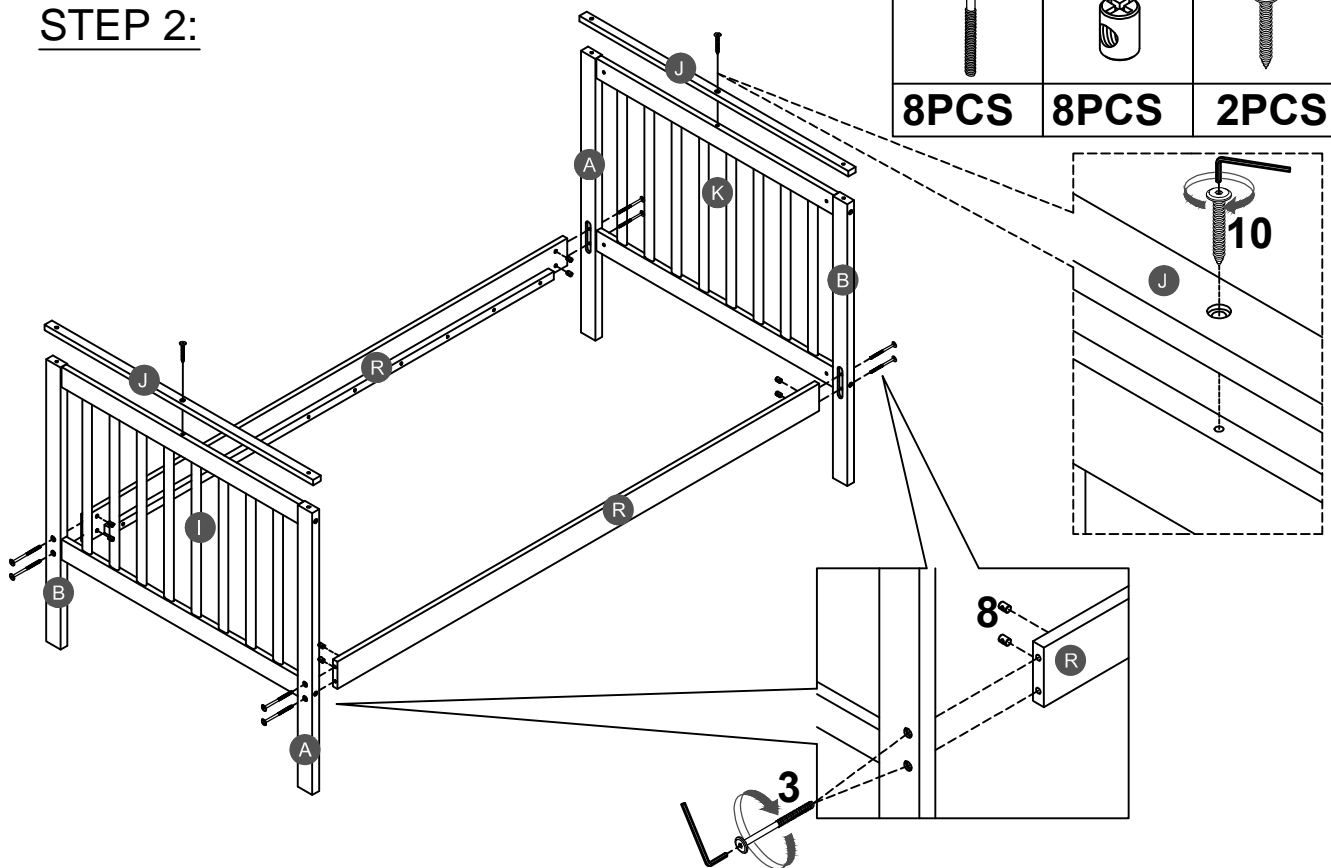
**Remark: We recommend you assemble your bed in the flat ground.**




**STEP 1:**







2		8	
8PCS		8PCS	

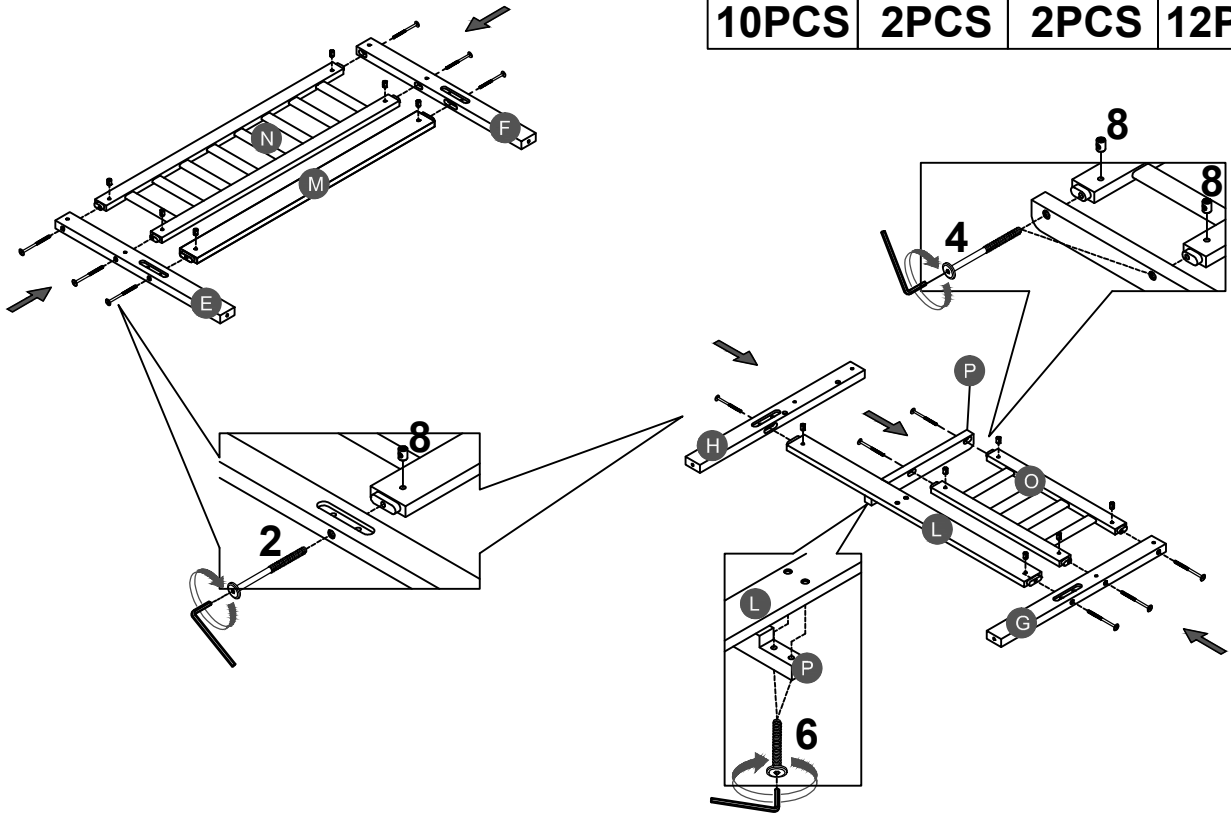
**STEP 2:**



3		8		10	
8PCS		8PCS		2PCS	



### STEP 3:

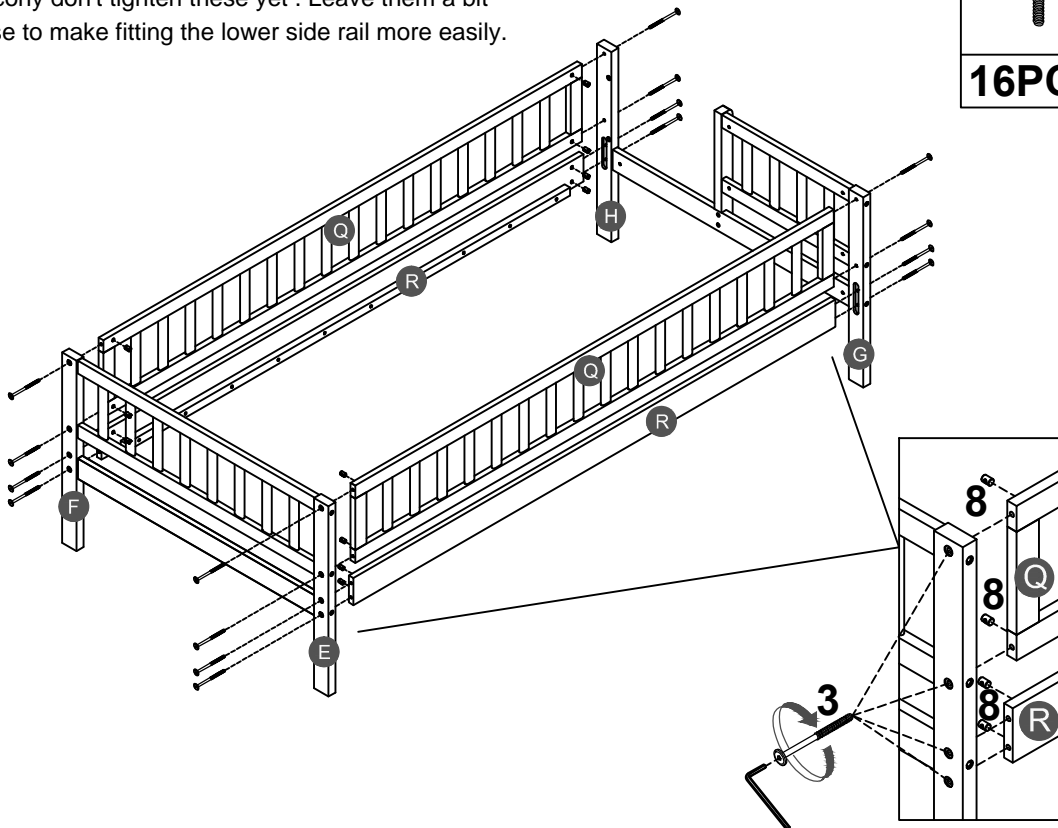
2		4		6		8	
10PCS		2PCS		2PCS		12PCS	



### STEP 4:

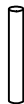
Balcony don't tighten these yet . Leave them a bit loose to make fitting the lower side rail more easily.

3		8	
16PCS		16PCS	

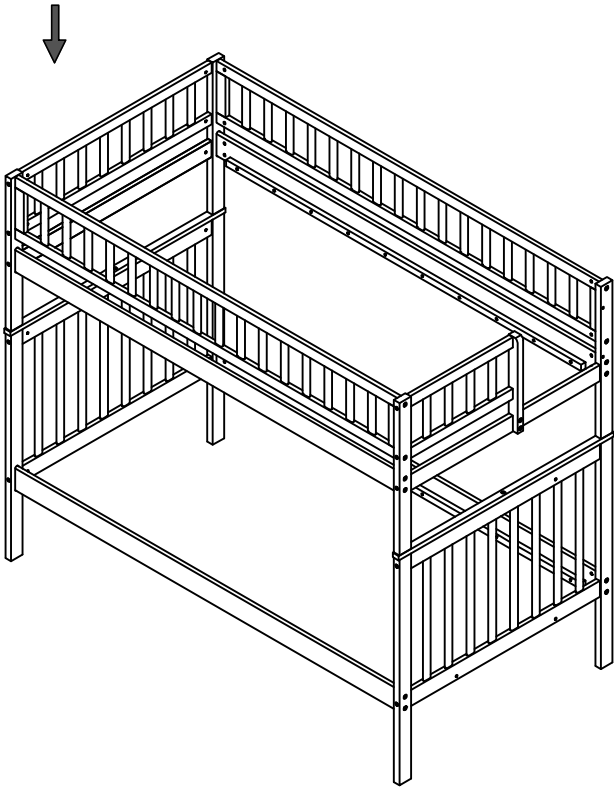
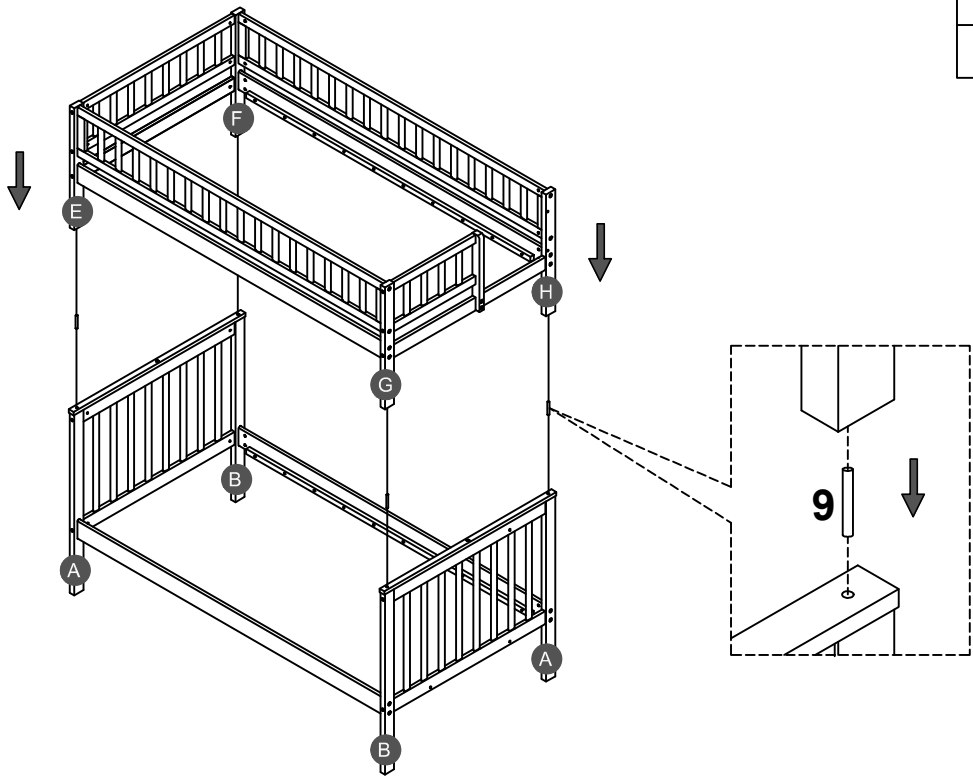


**STEP 5:**




**9**

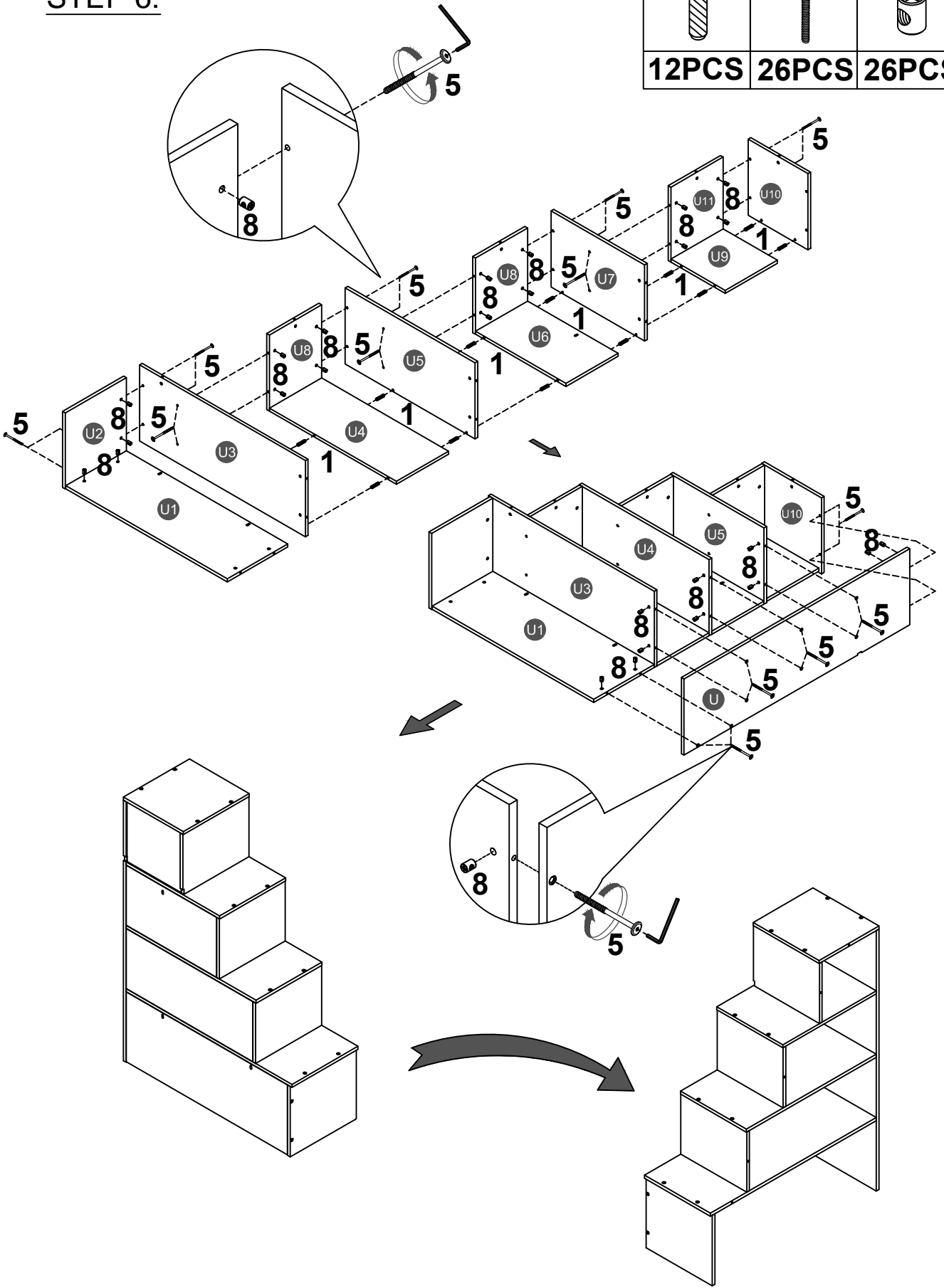


**4PCS**







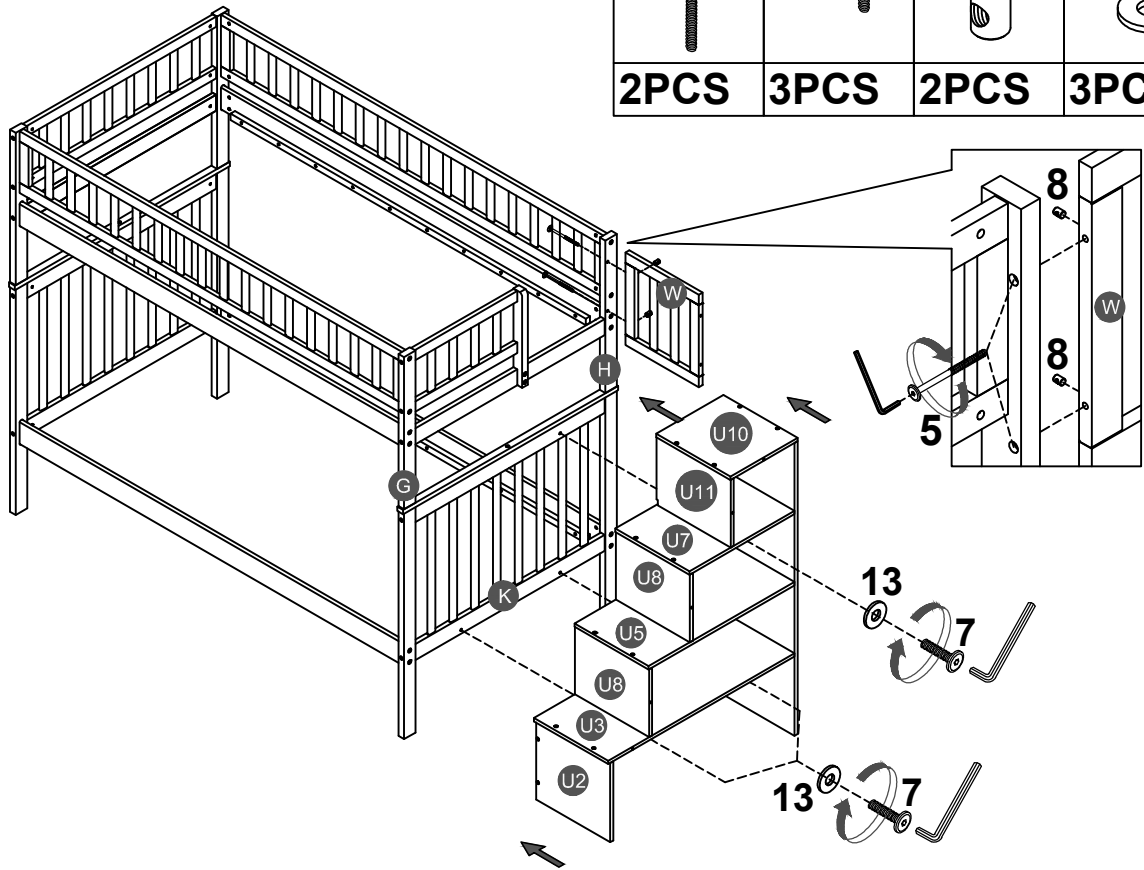
**STEP 6:**

1		5		8	
12PCS		26PCS		26PCS	





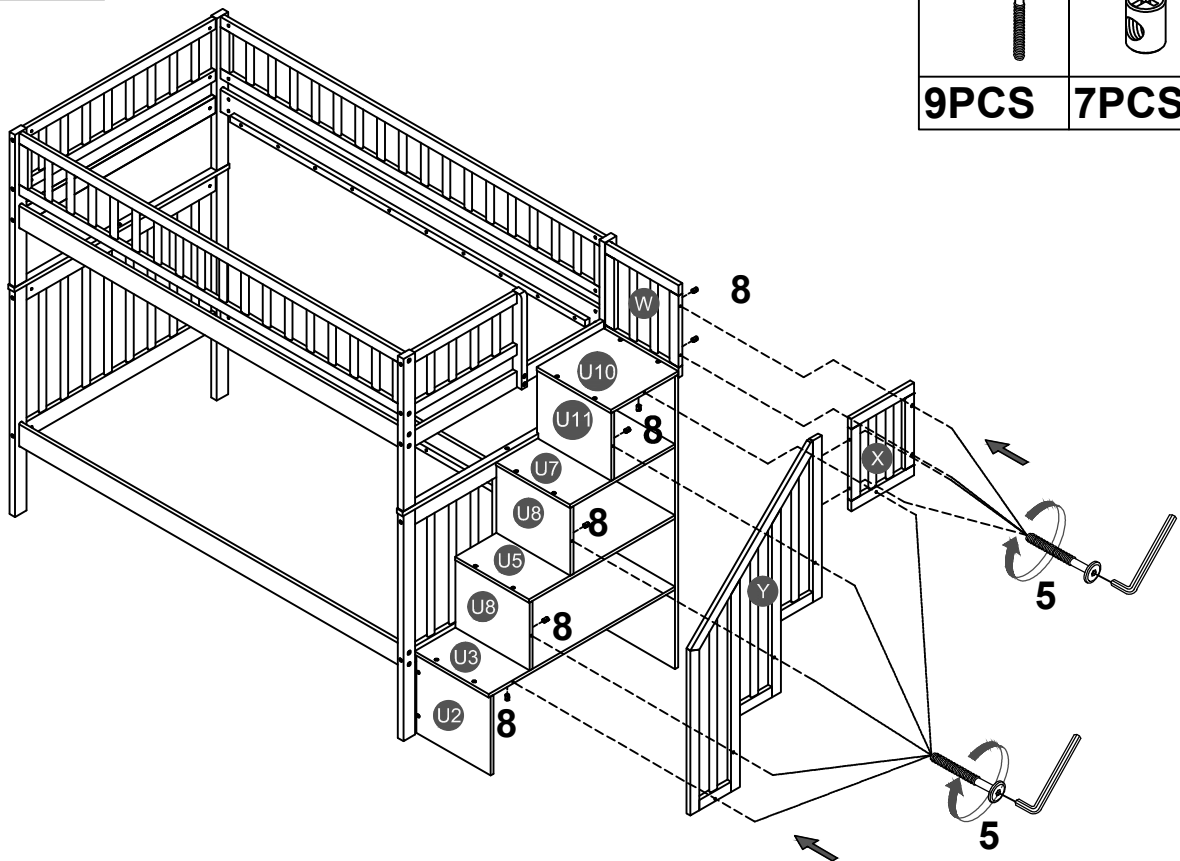
**STEP 7:**

5		7		8		13	
<b>2PCS</b>		<b>3PCS</b>		<b>2PCS</b>		<b>3PCS</b>	



**STEP 8:**

5		8	
<b>9PCS</b>		<b>7PCS</b>	

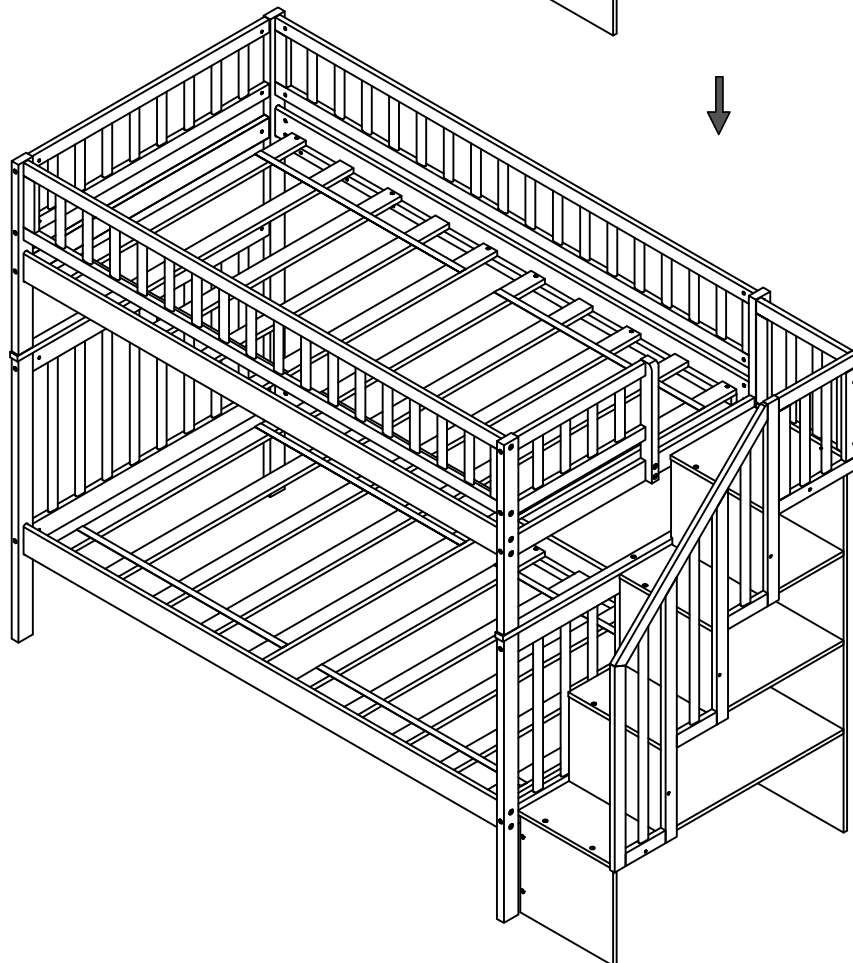
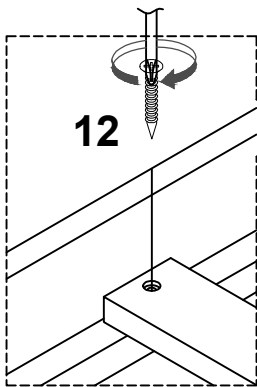
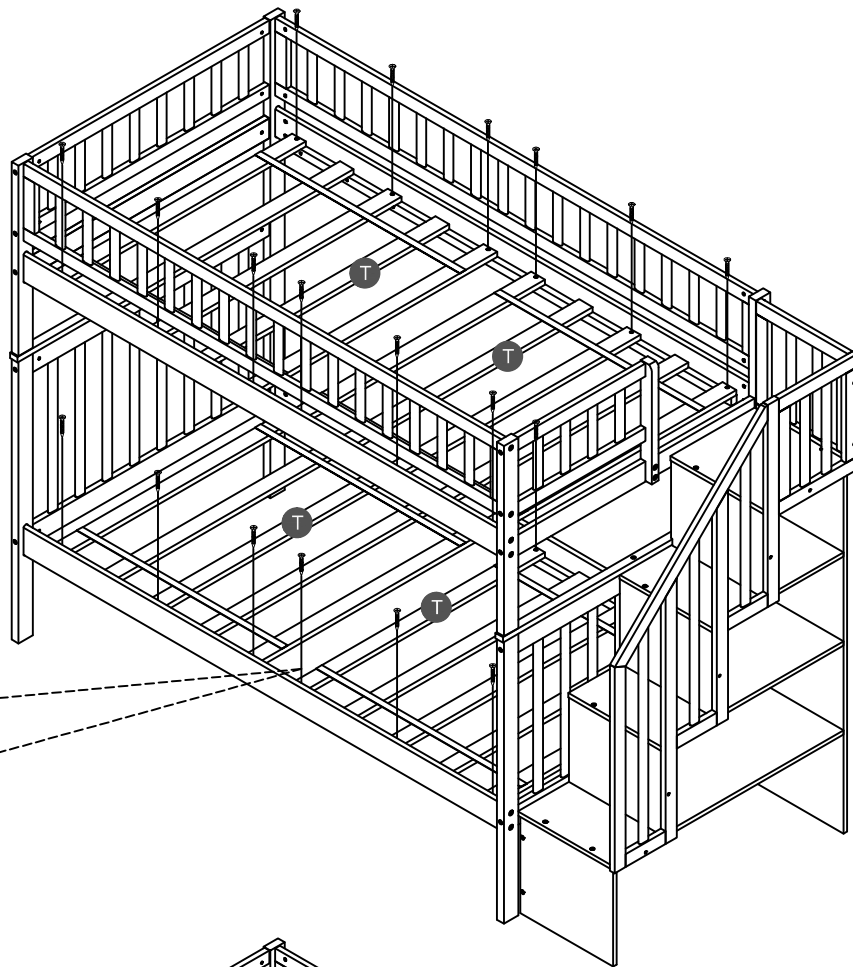


**STEP 9:**



**12**

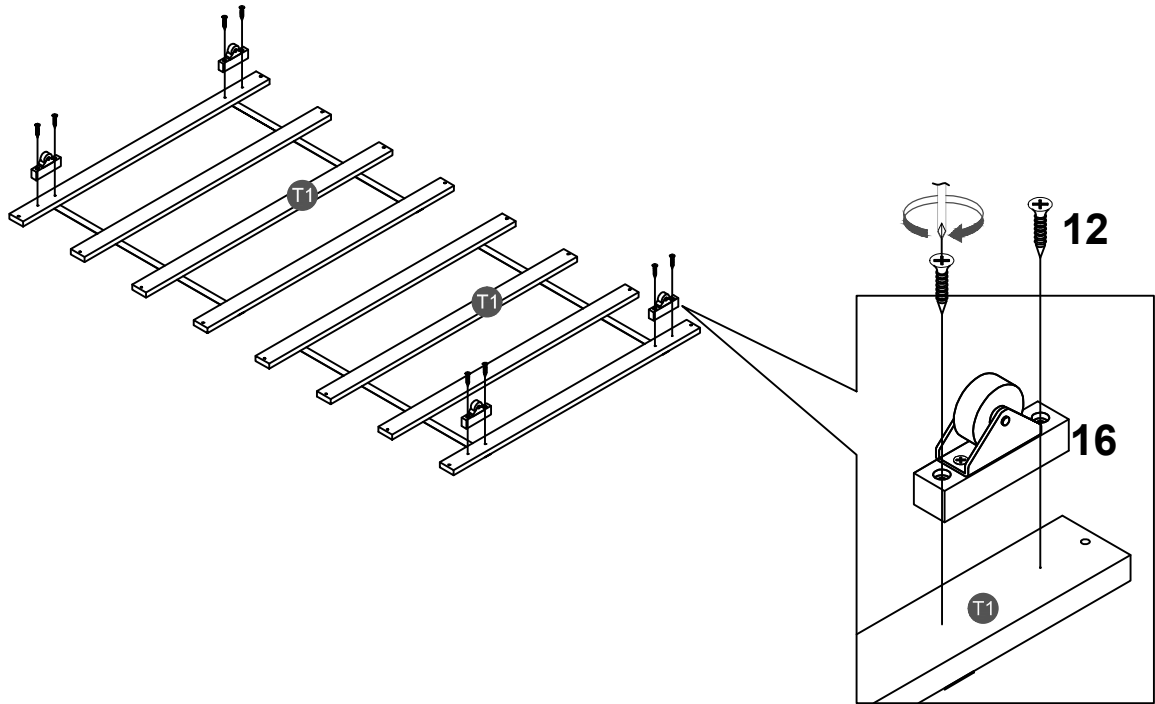


**24PCS**




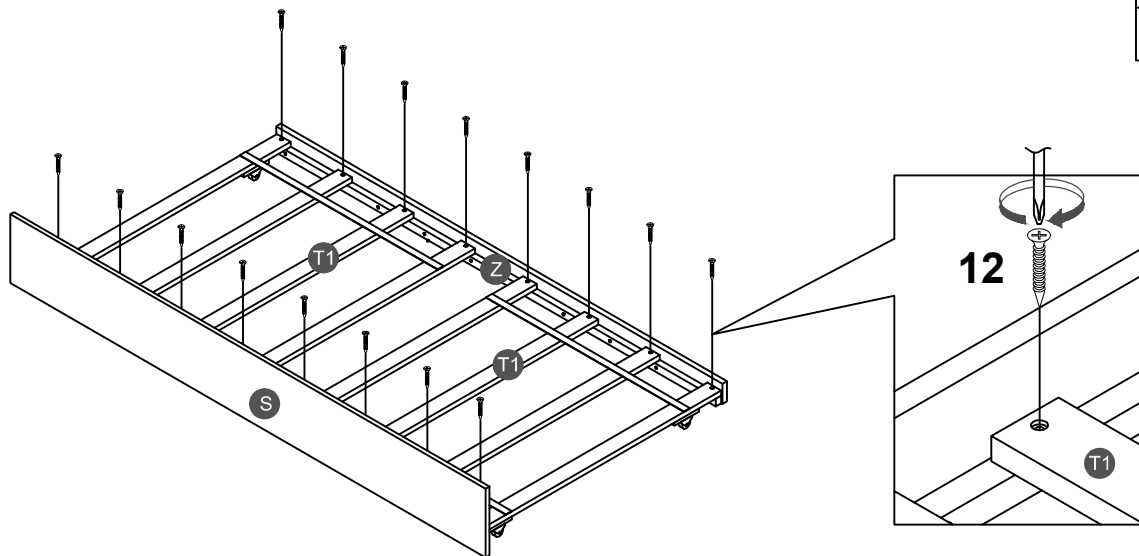
**STEP 10:**

<b>16</b> 	<b>12</b> 
<b>4PCS</b>	<b>8PCS</b>





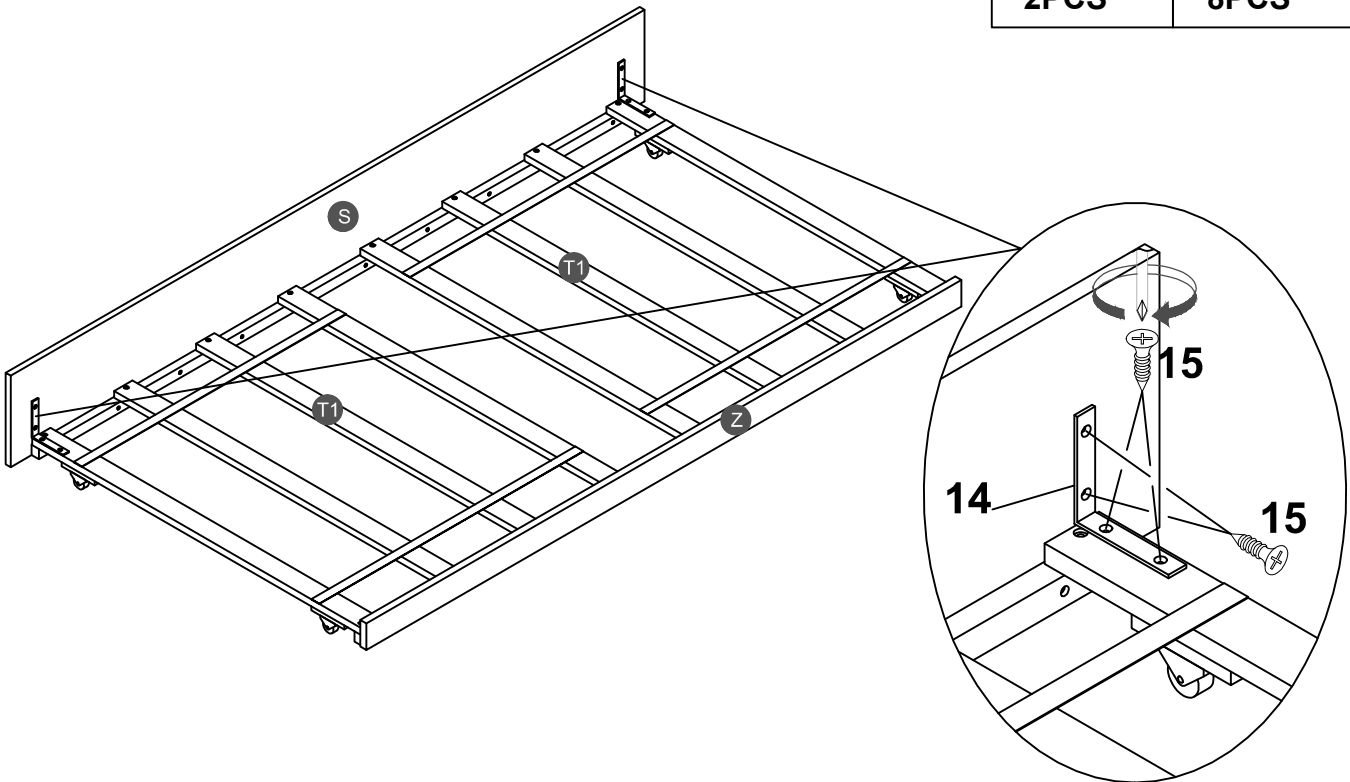
**STEP 11:**

<b>12</b> 
<b>16PCS</b>


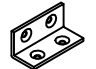


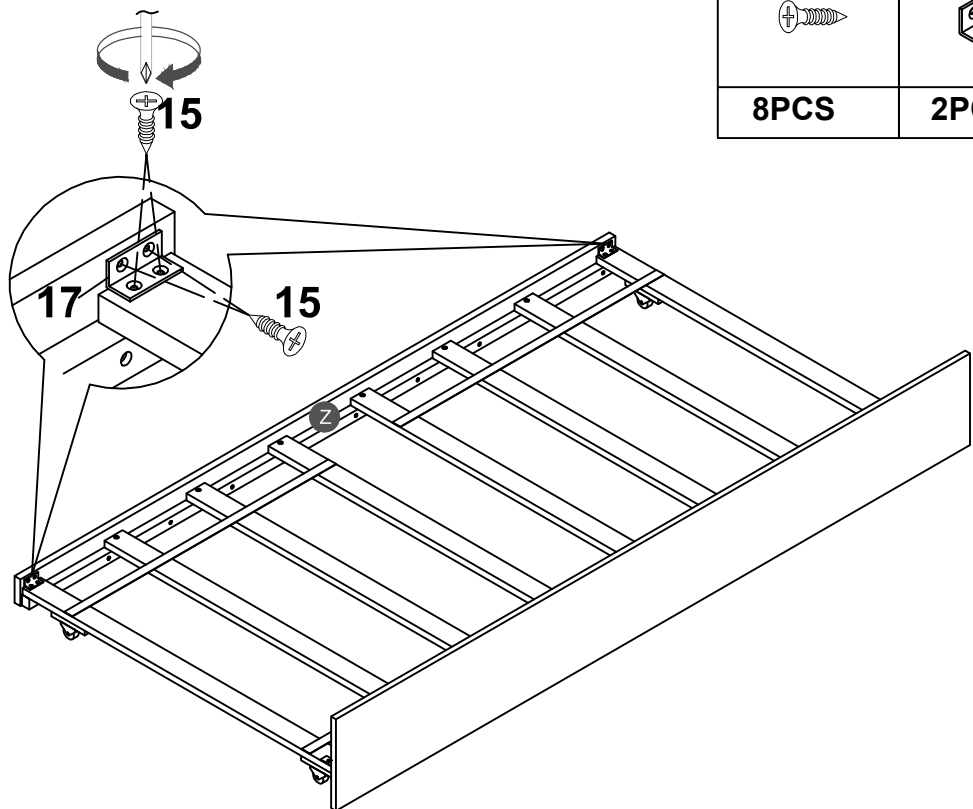
**STEP 12:**

<b>14</b> 	<b>15</b> 
<b>2PCS</b>	<b>8PCS</b>

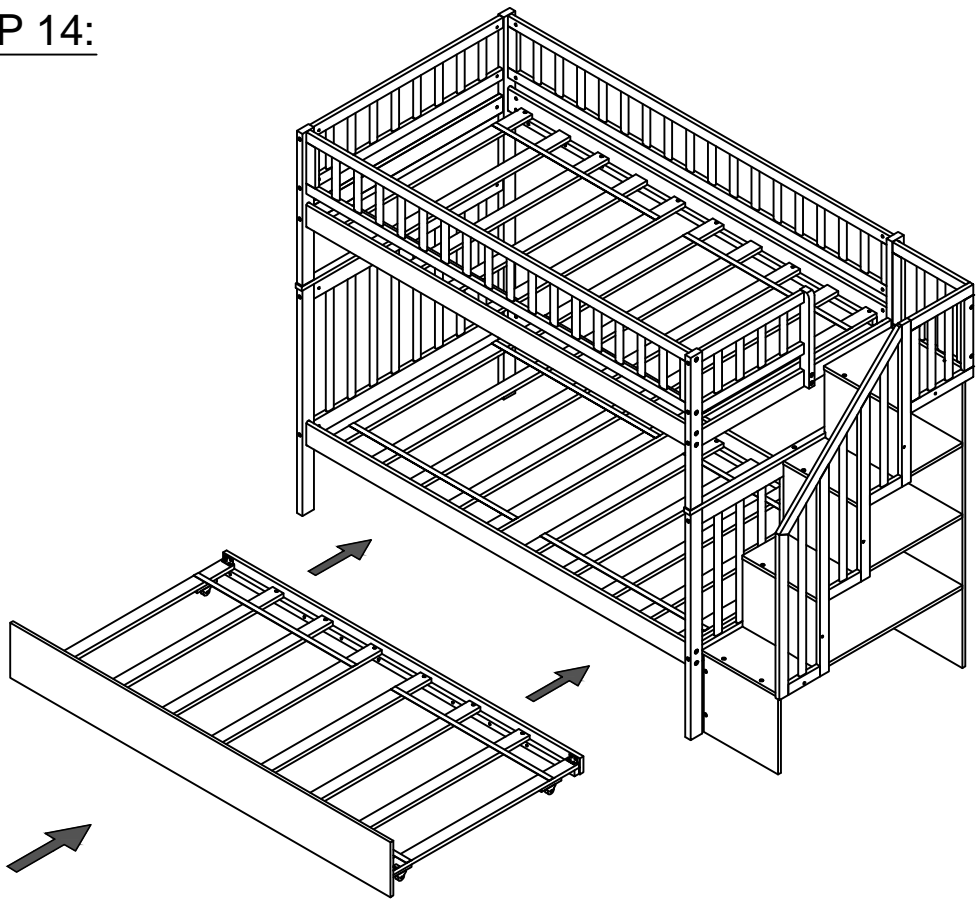


**STEP 13:**

<b>15</b> 	<b>17</b> 
<b>8PCS</b>	<b>2PCS</b>



**STEP 14:**



Push Trundle under the bottom of Bunkbed.

