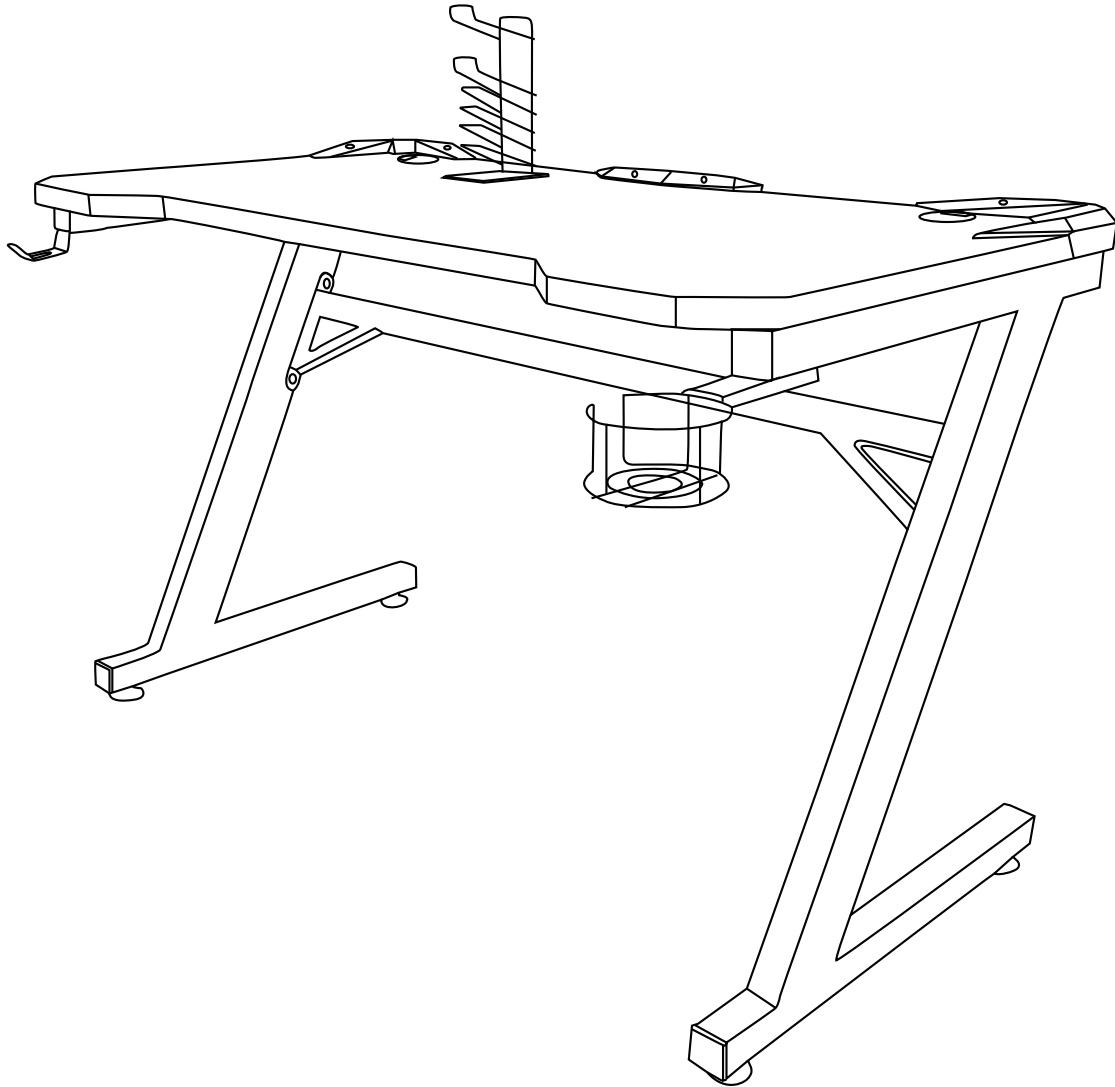
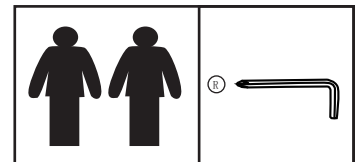


ASSEMBLY INSTRUCTIONS

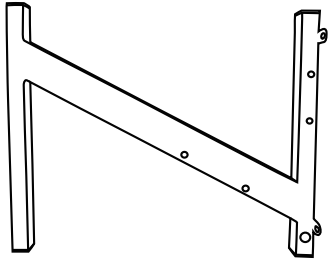


Warning:

1. The maximum static loading weight is 220lb and the dynamic loading weight is 11-18lb!
2. The desk have potential danger of tip-over if don' t use it wisely, so children need to be accompanied by adult.

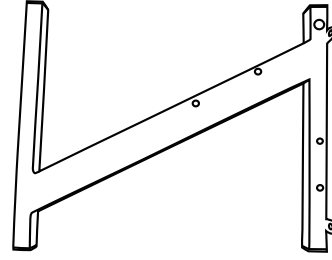


A × 1



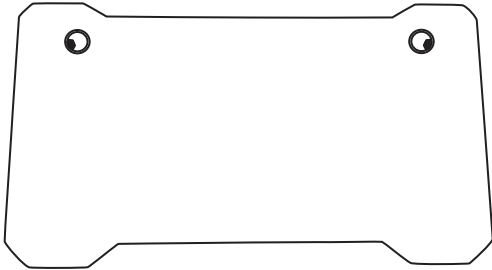
Left arm

B × 1

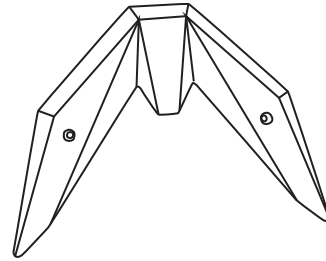


Right arm

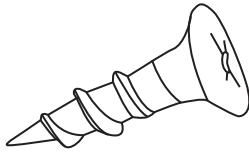
C × 1



D × 2

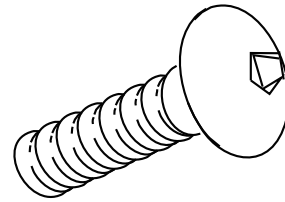


E × 6



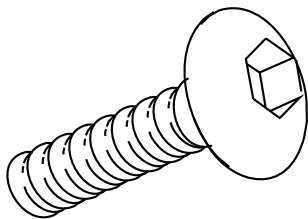
M4*18

F × 5



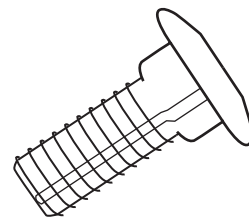
M5*14mm

G × 12



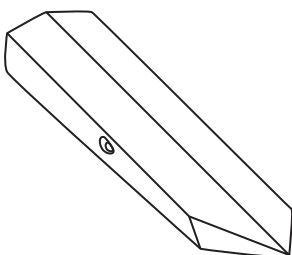
M6*16mm

H × 2

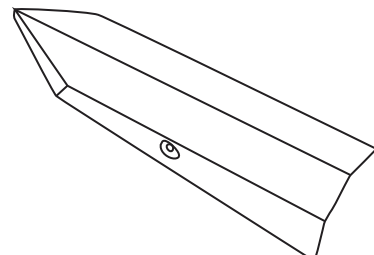


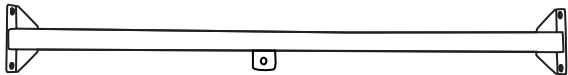
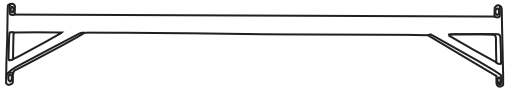
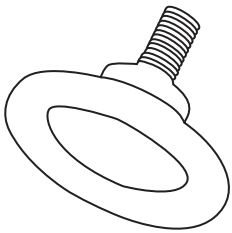
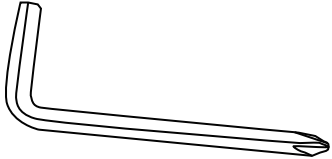
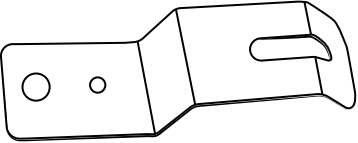
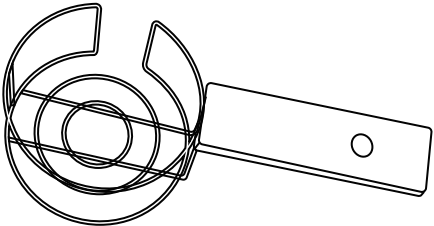
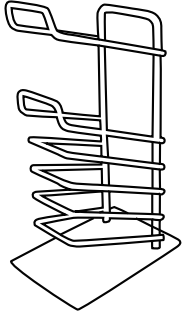
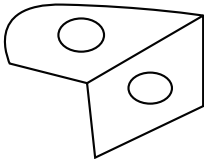
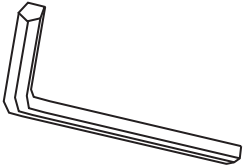

M6*16mm

I × 1

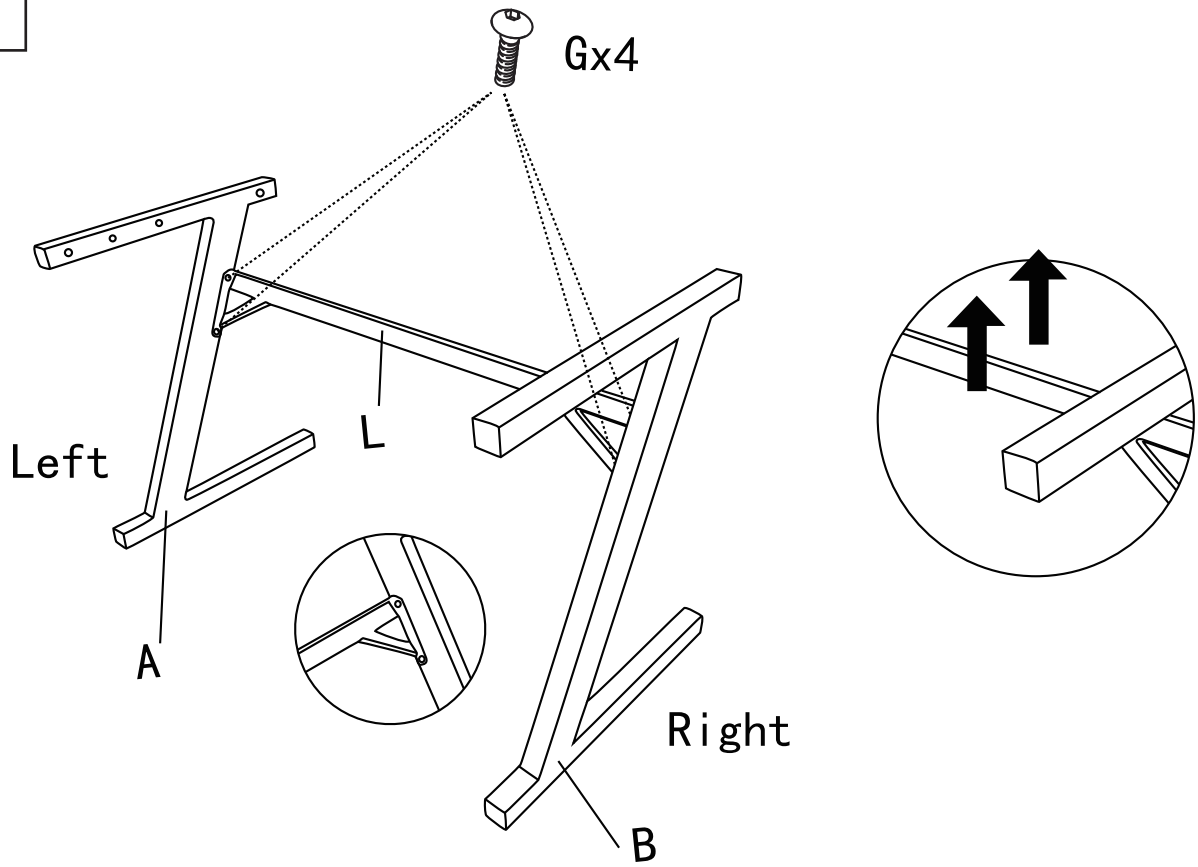


J × 1

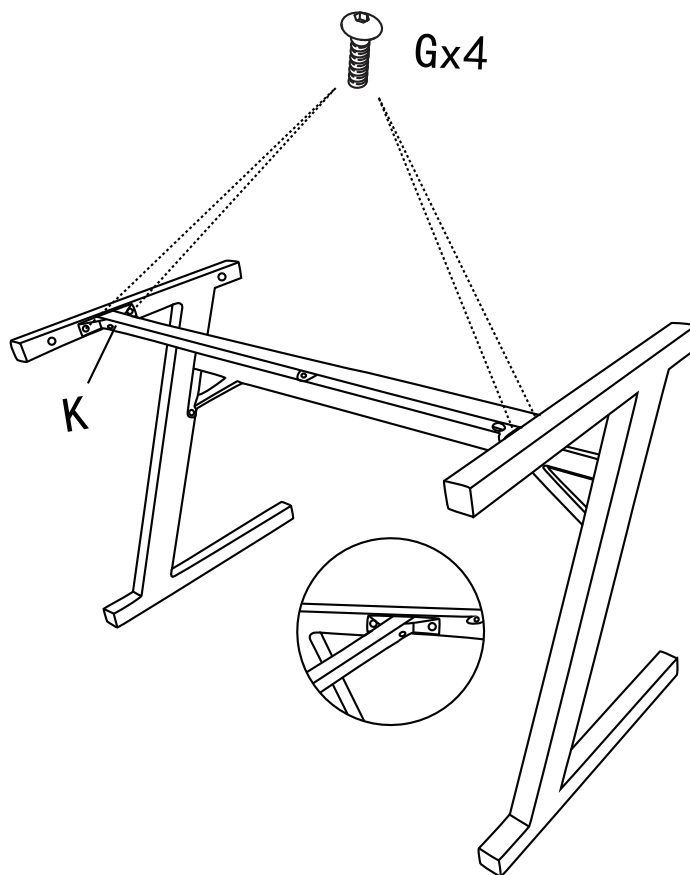


<p>K×1</p> 	<p>L×1</p> 
<p>M×4</p>  <p>FOOT NAILS</p>	<p>N×1</p>  <p>M5 Spanner</p>
<p>O×1</p> 	<p>P×1</p> 
<p>Q×1</p> 	<p>R×4</p> 
<p>S×1</p>  <p>M4 Spanner</p>	<p>T×5</p> 

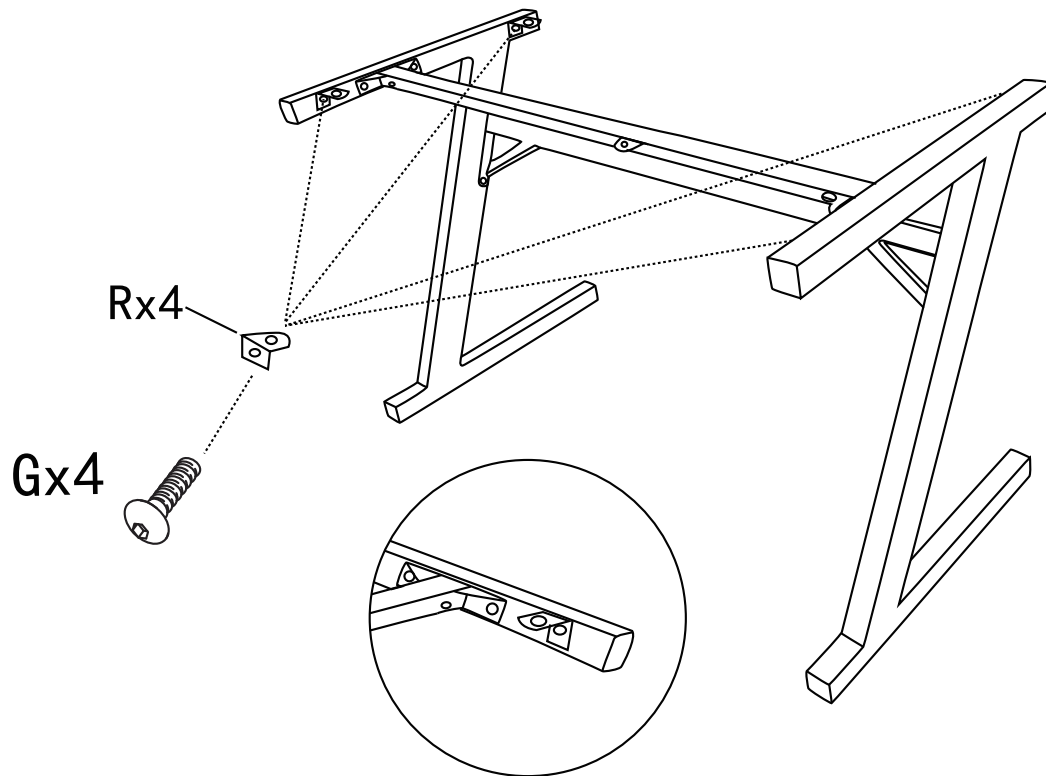
1



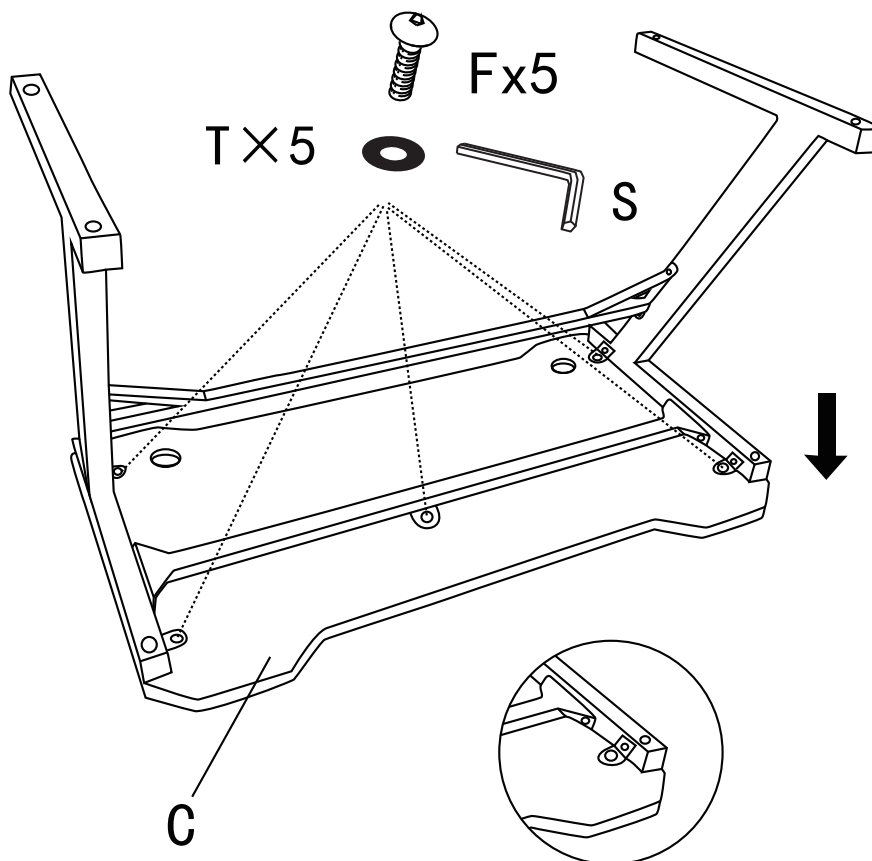
2



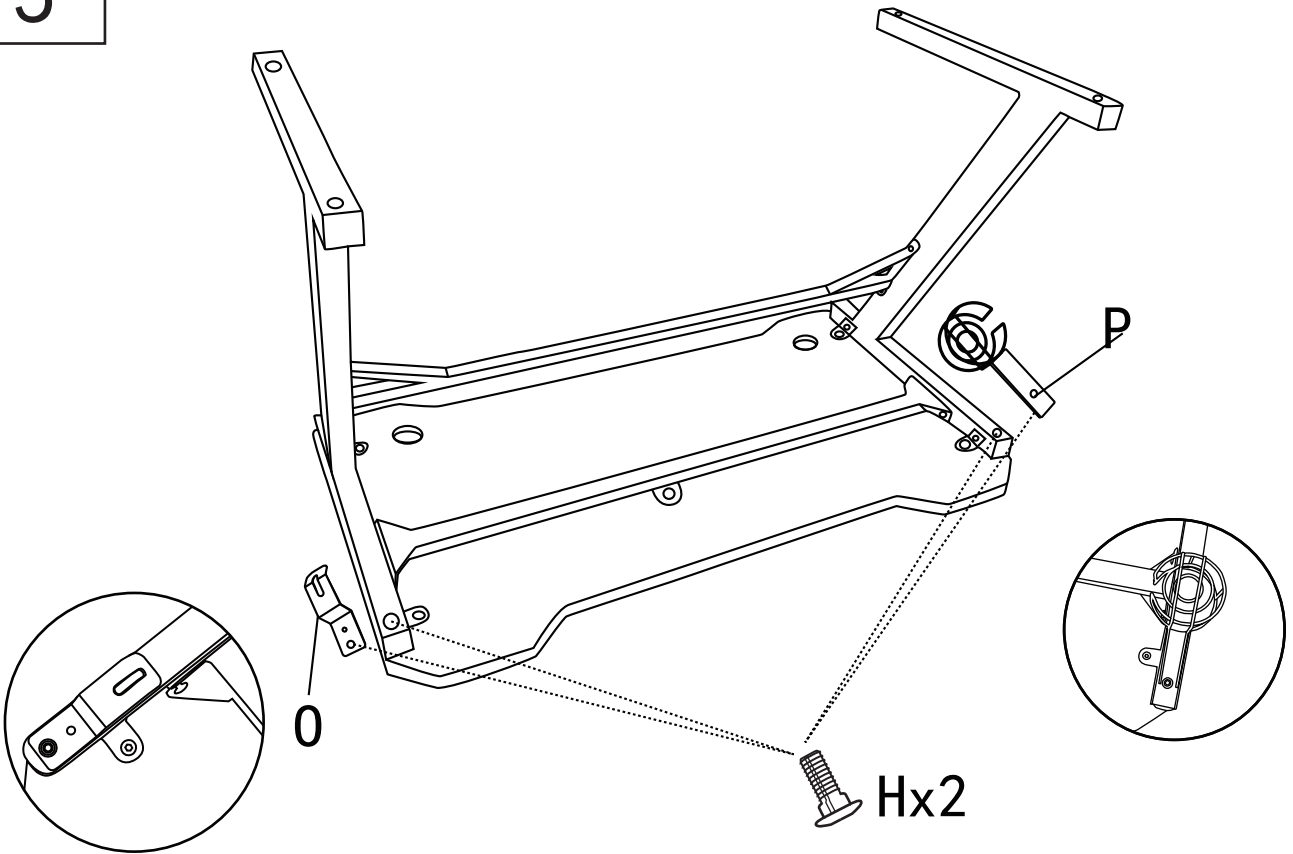
3



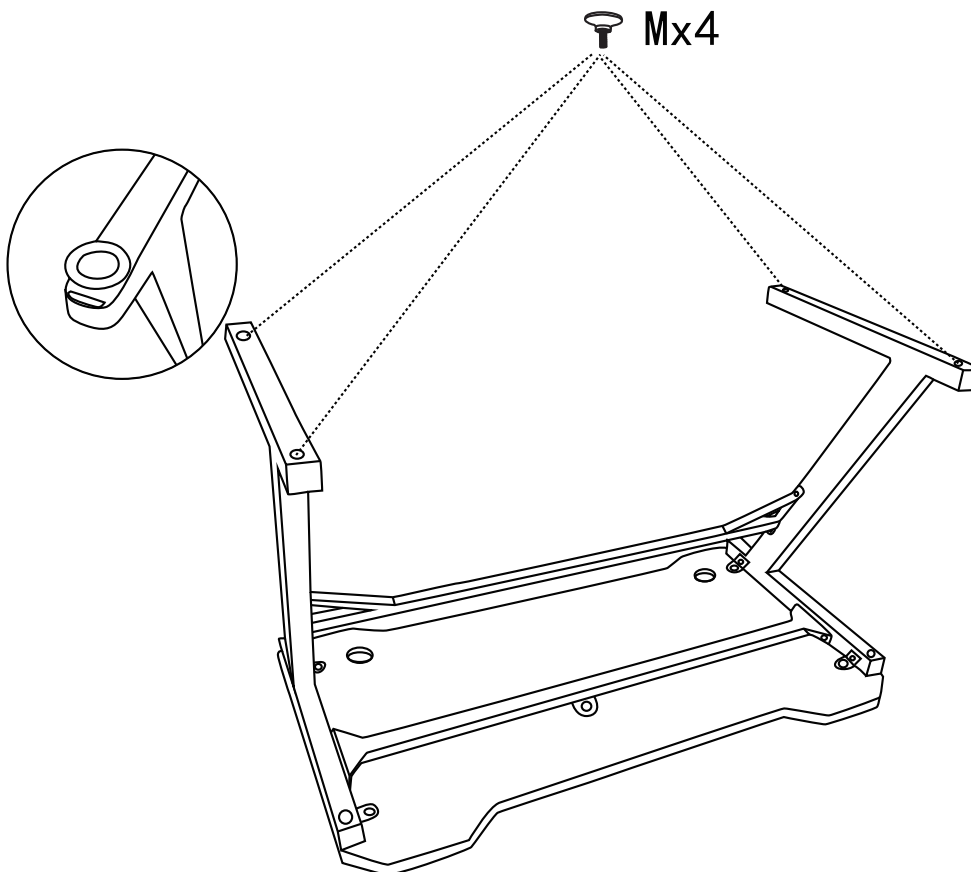
4



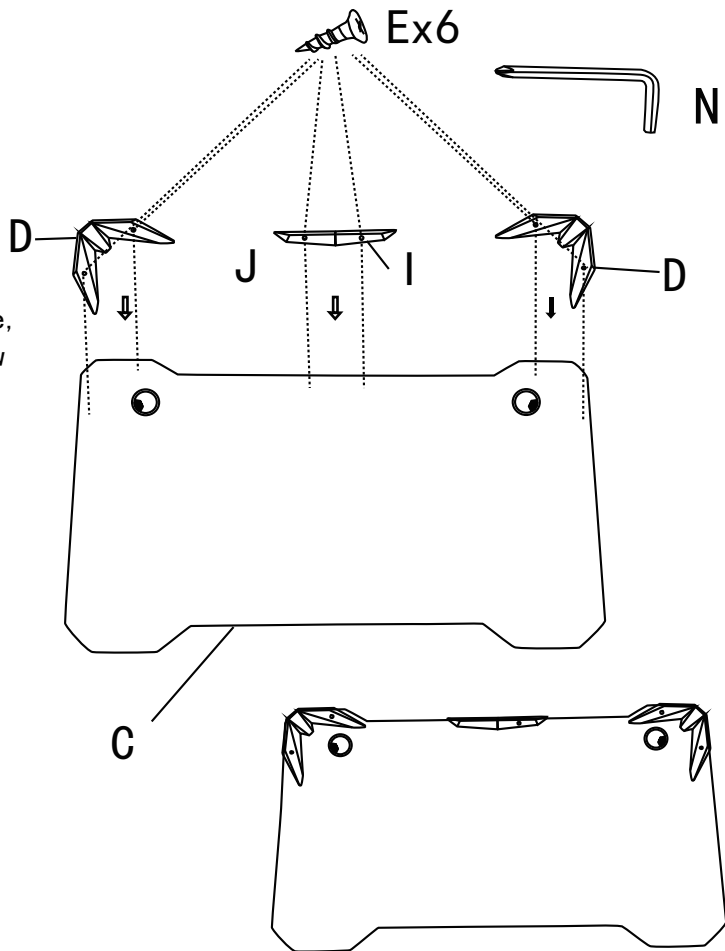
5



6



7



There is no hole on the table, please use self-tapping screw to fix the plastic parts on the table.

If you want to keep your desktop intact, don't install it.

8

