


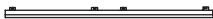

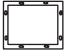




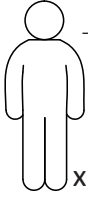
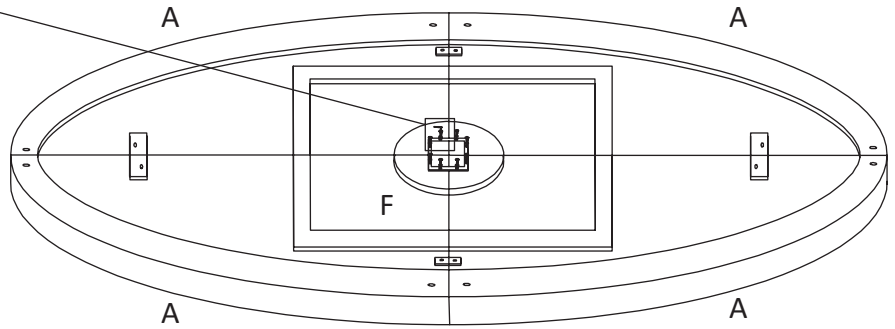
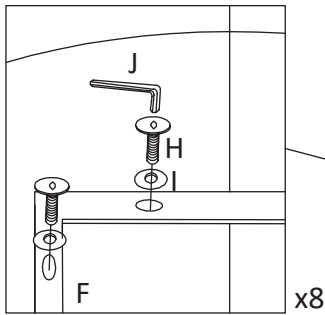
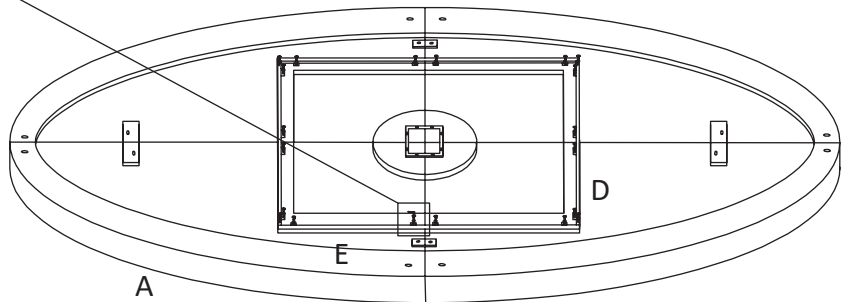
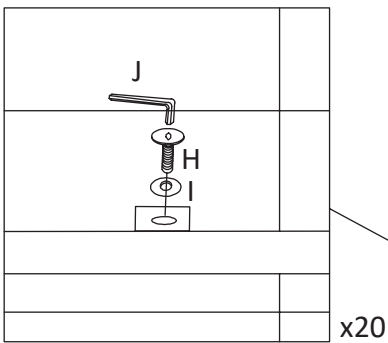


Ax4 	Bx4 	Cx4 	Dx2 	Ex2 	Fx1 
Gx4 	Hx60  $\frac{16 \times 6}{0.6 \times 0.2}$	Ix60  $\frac{6}{0.2}$	Jx1  $\frac{4}{0.1}$	 $\frac{\text{mm}}{\text{inch}}$ x2	

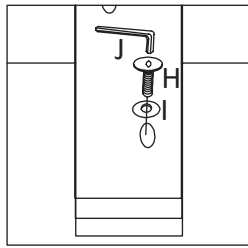
1



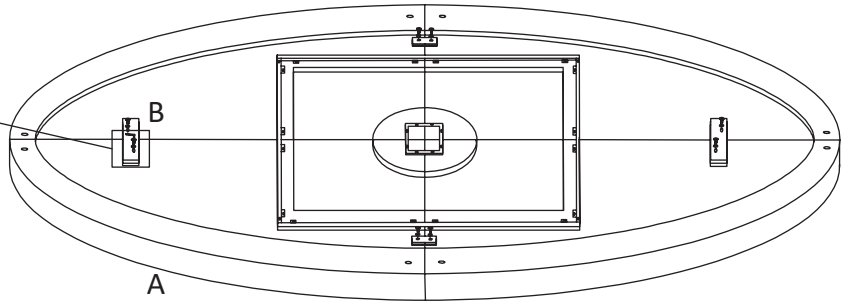
2



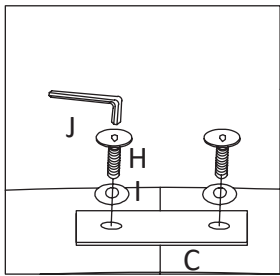
3



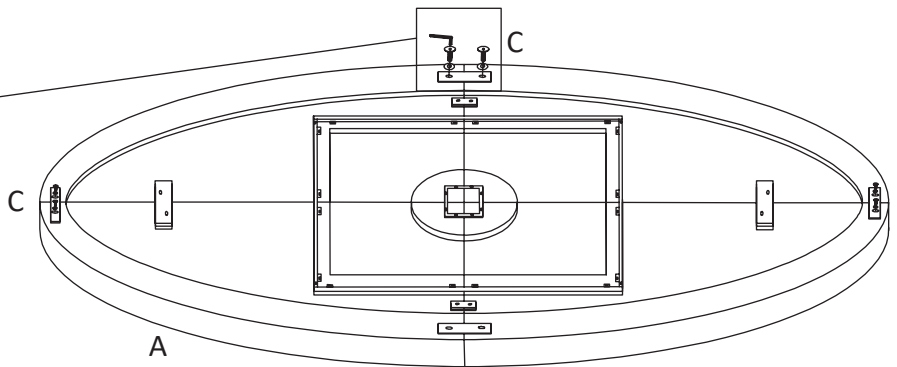
x8



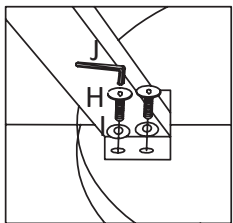
4



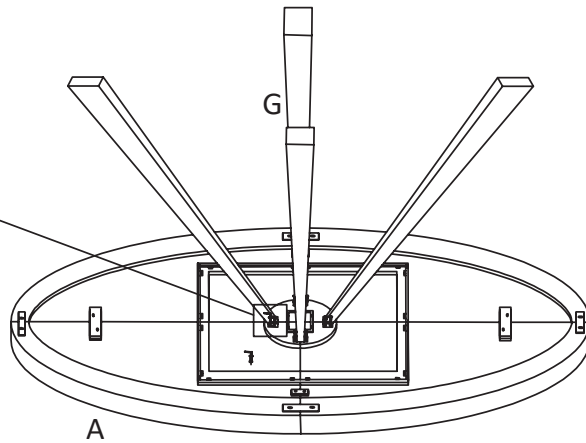
x8



5



x16



6

