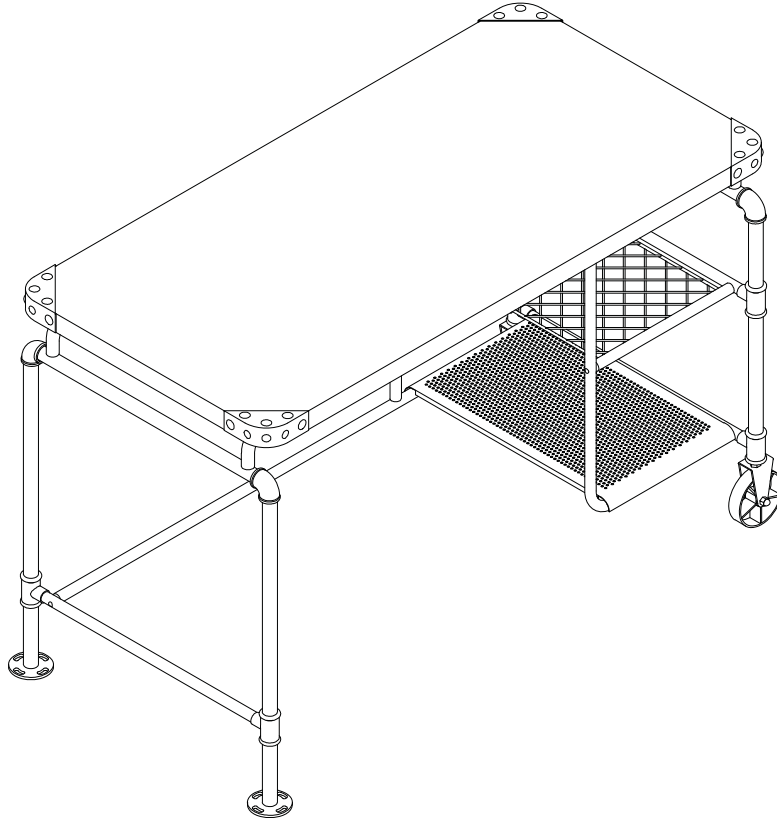


# Assembly Instructions



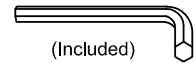
## ASSEMBLY RATING

The Assembly Rating is a 5-point system that shows the degree of effort needed in assembling a specific product (with 1 being easy and 5 being difficult). For some products, two persons are recommended.

EASY  DIFFICULT

## Tools Required For Assembly:

Allen Wrench

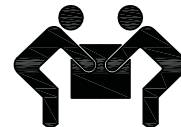


(Included)

Wrench



(Included)

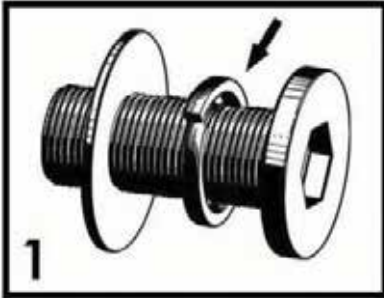


2 PERSONS RECOMMENDED

# ASSEMBLY & CARE ADVICE

FOR YOUR FURNITURE TO LAST, CORRECT ASSEMBLY AND PROPER MAINTENANCE ARE NECESSARY. PLEASE FOLLOW THE INFORMATION PROVIDED BELOW TO FULLY ENJOY YOUR FURNITURE.

## BASIC ASSEMBLY TECHNIQUES



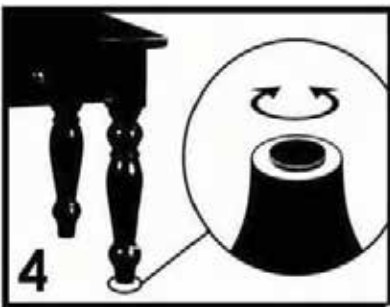
1  
When lock or spring washer is used in an assembly, please make sure the lock or spring washer is placed between the larger flat washer and the head of the screw or bolt.



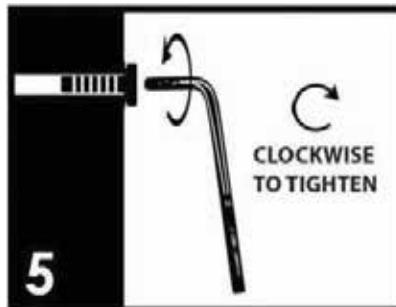
2  
Position each part correctly and insert screws or bolts into their respective holes by hand tighten or using the proper hand tool. Only tighten when step is completed or when instructed to do so.



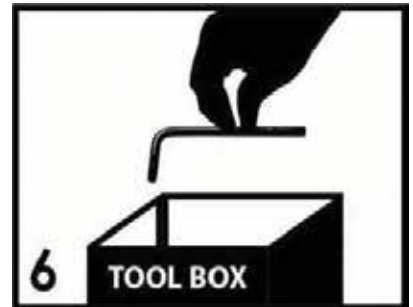
3  
Use cardboard or carpet area when assembling furniture to prevent scratches. Make sure the furniture rests on a flat and level surface with each leg evenly touching the floor.



4  
Some furniture comes with height adjustment knobs underneath each leg. To lower or to raise each leg, you need to turn clockwise or counterclockwise, respectively.

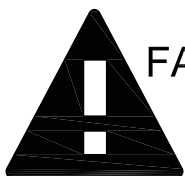


5  
Make sure all parts are properly aligned, then use the appropriate hand tool to completely tighten the bolts or screws. Do not use power tools and do not overtighten.



6  
Save the instructions and store the Allen wrench or any supplied tool for later maintenance. After two weeks, check and tighten any loose hardware and repeat again every six months thereafter.

IT IS THE USER'S RESPONSIBILITY TO MAINTAIN THE FURNITURE. THE HARDWARE MAY LOOSEN OVER TIME AND MAY CAUSE THE FURNITURE TO BE WOBBLY AND UNABLE TO SUPPORT ITS INTENDED WEIGHT CAPACITY. THIS MAY LEAD TO COLLAPSE AND MAY CAUSE SERIOUS INJURY.



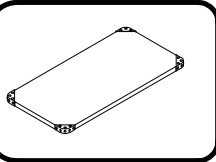
FAILURE TO FOLLOW THE GUIDELINES ABOVE MAY RESULT IN INJURY AND/OR PROPERTY DAMAGE.



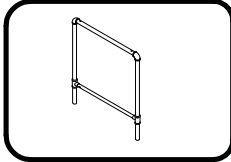
Before you begin, please read Page 2 of "Assembly and Care Advice".

And remember, do not tighten until each step is completed or instructed.

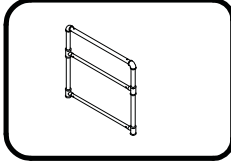
### Parts List



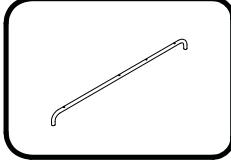
#1 x 1pc  
Desk Top



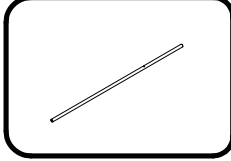
#2 x 1pc  
Left Side Panel



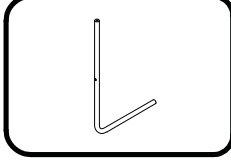
#3 x 1pc  
Right Side Panel



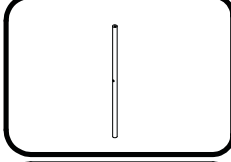
#4 x 2pcs  
Top Support Tube



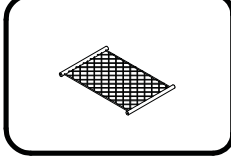
#5 x 1pc  
Rear Connect Tube



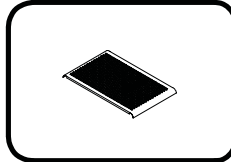
#6 x 1pc  
Front Shelf Post



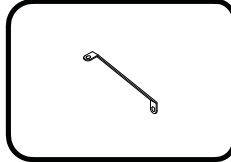
#7 x 1pc  
Rear Shelf Post



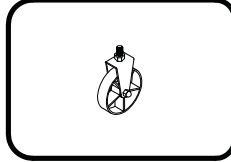
#8 x 1pc  
Upper Shelf



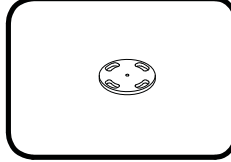
#9 x 1pc  
Lower Shelf



#10 x 1pc  
Rear Support plate



#11 x 2pcs  
Wheel



#12 x 2pcs  
Leg Plate



Before you begin, please read Page 2 of "Assembly and Care Advice".

And remember, do not tighten until each step is completed or instructed.

### Hardware List



#A x 2pcs  
Bolt 1/4" x 5/8"



#B x 18pcs  
Bolt 1/4" x 1-3/8"



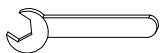
#C x 2pcs  
Floor Protector



#D x 2pcs  
Sink Bolt 1/4"x1-3/8"



#E x 1pc  
Allen Wrench

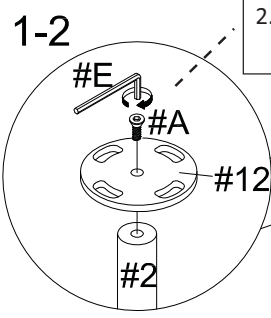


#F x 1pc  
Wrench

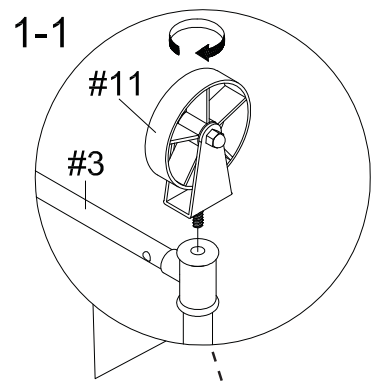


#1

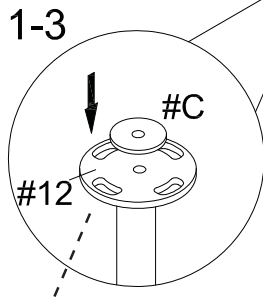
#A x 2pcs  
#C x 2pcs



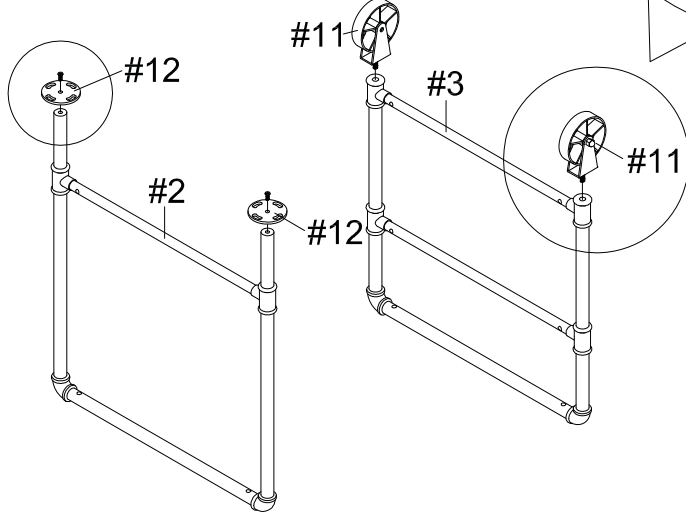
2. Place the leg plates (#12) onto the left side panel (#2), then insert a bolt (#A) into the center, secure.



1. Insert the threaded ends of the wheels (#11) into the holes along the bottom of the right side panel (#3). Turn right to tighten.

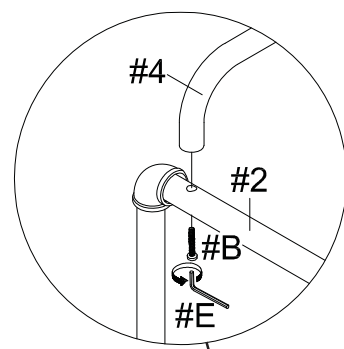
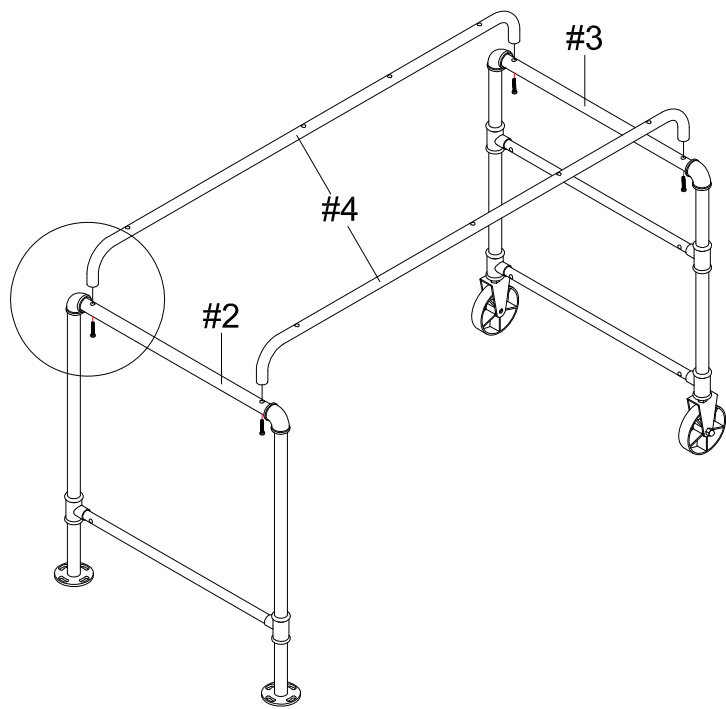


3. Place a floor protector onto the leg plates (#12).



#2

#B x 4pcs

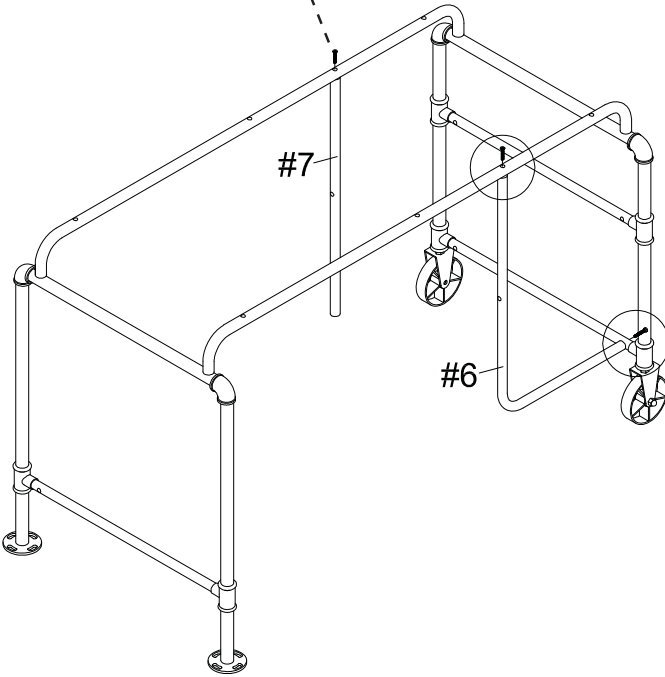


Align the top support tubes (#4) to the holes along the top of the right and left side panels (#2,3), then insert the bolts (#B) from below. Secure using the Allen wrench (#E).



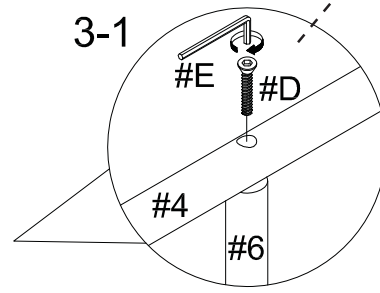
3. Align the top of the rear shelf post (#7) to the hole along the top support tube (#4), then insert a bolt (#D) and secure.

#B x 1pc  
#D x 2pcs

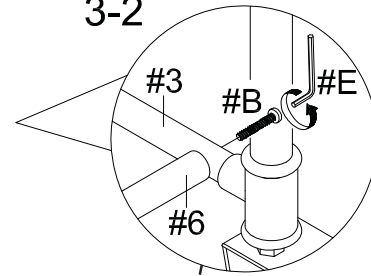


1. Align the long end of the front shelf post (#6) to the hole along the top support tube (#4), then insert a bolt (#D) and secure.

3-1



3-2



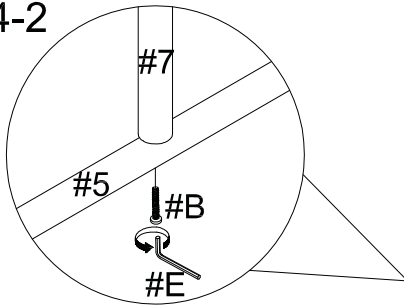
2. Align the shorter end of the front shelf post (#6) to the hole along the right side panel (#3), then insert a bolt (#B) and secure.



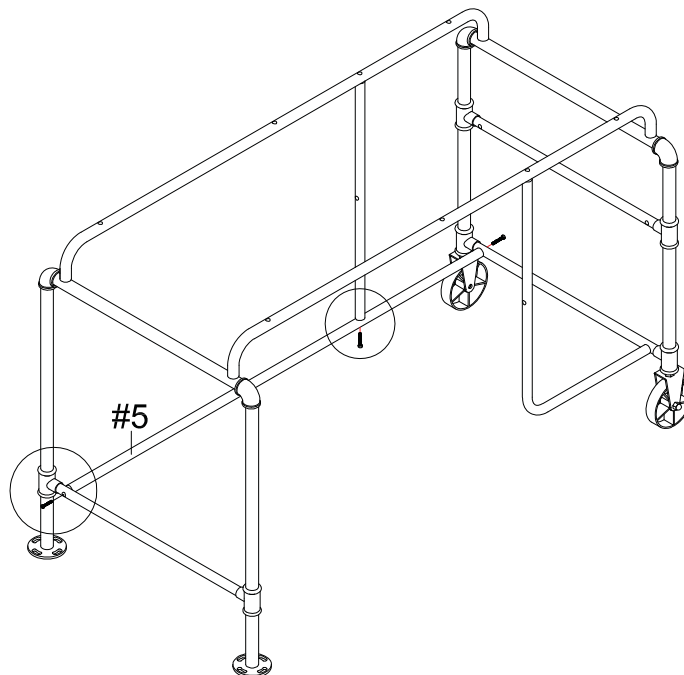
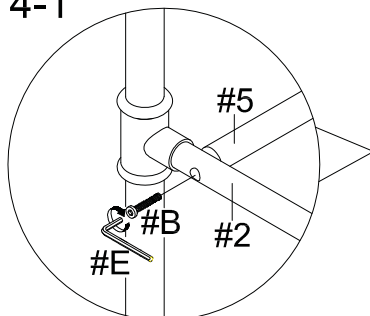
#B x 3pcs

1. Align the rear connect tube (#5) to the holes along the bottom sides of the left and right side panels (#2,3), then insert a bolt (#B) into each end. Secure using the Allen wrench (#E).  
2. Align the hole along the center to the rear shelf post (#7). Insert a bolt (#B) and secure.

4-2

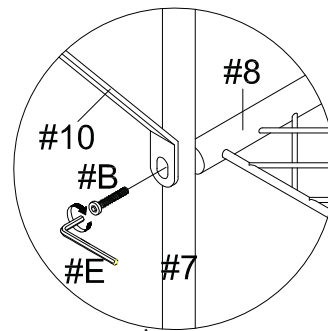
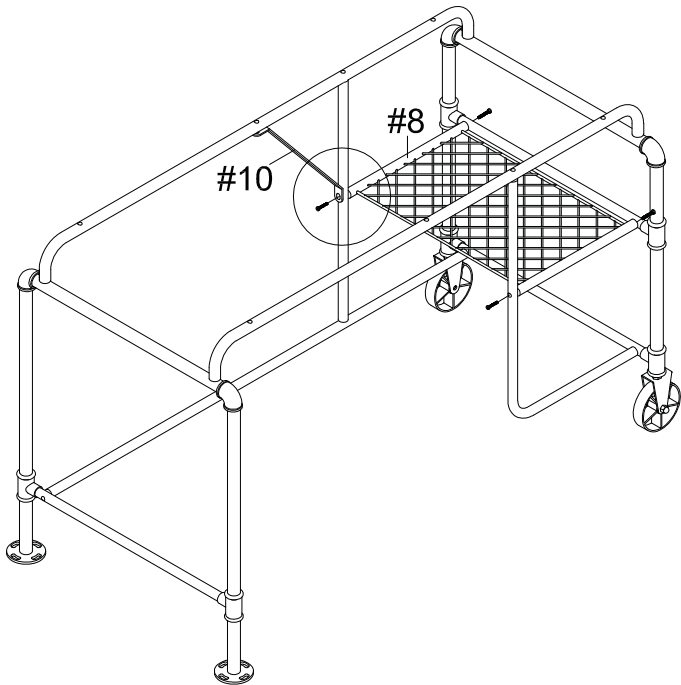


4-1





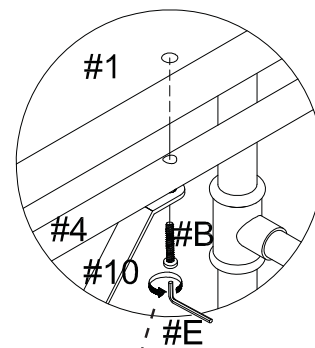
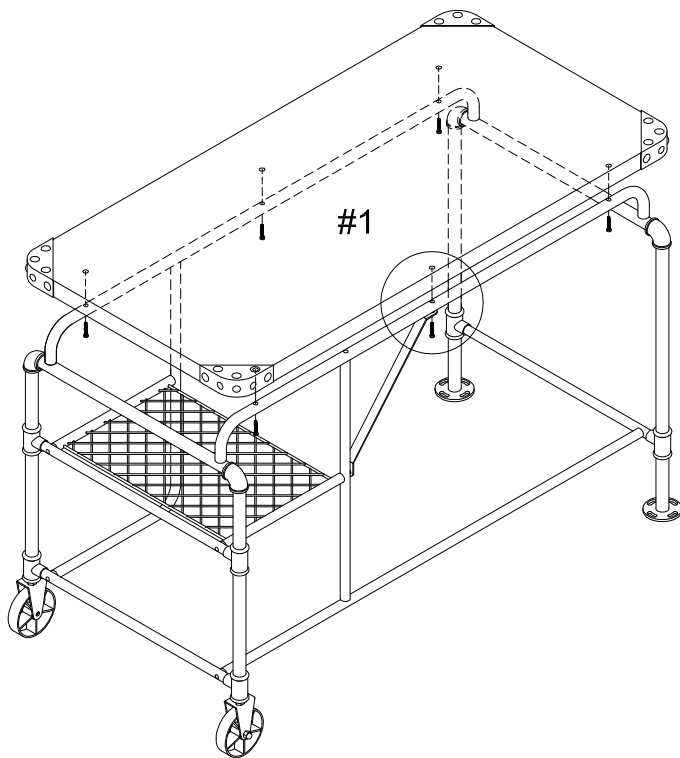
#B x 4pcs



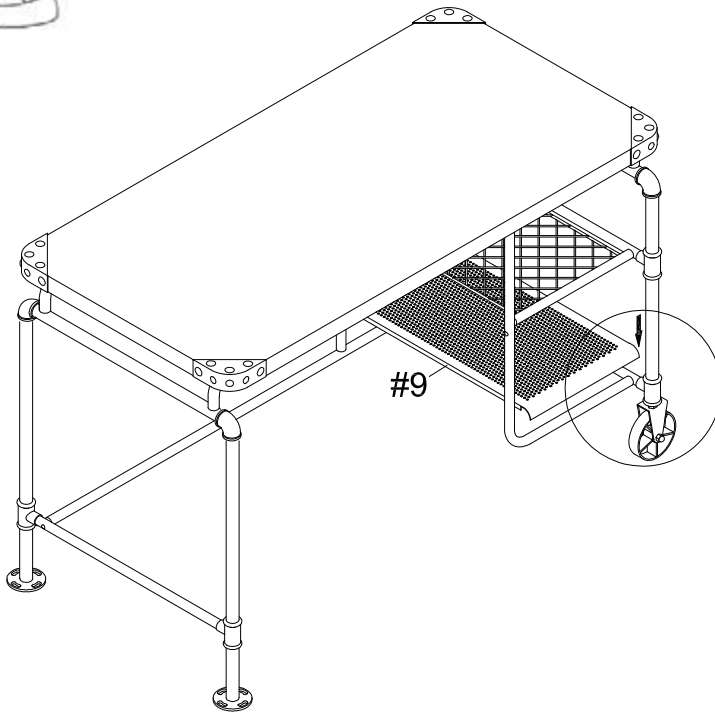
Align the upper shelf (#8) to the holes along the sides of the posts and panel. Insert a bolt (#B) into each hole and secure using the Allen wrench (#E).



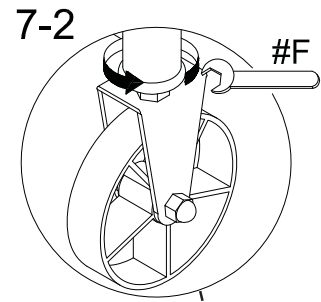
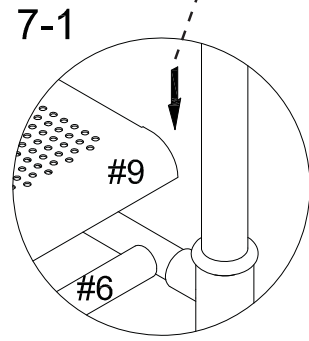
#B x 6pcs



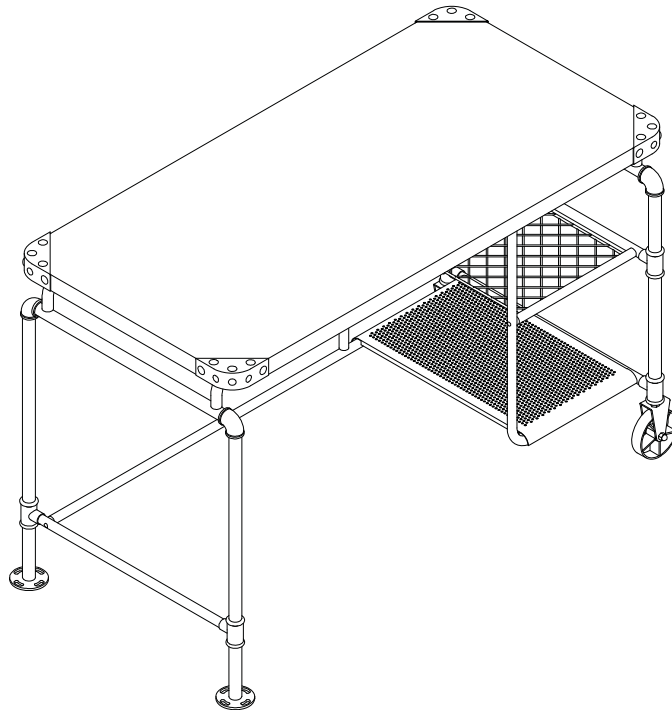
Place the desk top (#1) on top and align the holes. Insert a total of 6 bolts (#B) from below and secure using the Allen wrench (#E).



1. Place the lower shelf (#9) onto the posts.



2. Turn right to tighten the wheel using the wrench (#F).



ASSEMBLY IS COMPLETED