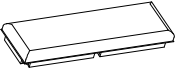


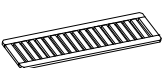





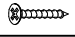


# ASSEMBLY INSTRUCTION

## DESCRIPTION : BED BENCH

Thank you for purchasing this quality product. Be sure to check all packing material carefully for small Hardware which may have come loose inside the carton during shipment. Identify and count all Hardware and compare with the Hardware List Below.

Parts List			
No.	Description		Qty.
①	Seat Cushion		1 Pc
②	Leg		4 Pcs
③	Center Leg		2 Pcs
④	Shelf Frame		1 Pc

Assembly Hardware Pack			
⑤			
No.	Description	Hardware	Qty.
Ⓐ	JCBC Screw Ø5/16" x 57mm		12 Pcs
Ⓑ	Spring Washer Ø5/16"		12 Pcs
Ⓒ	Flat Washer Ø5/16" x 19mm x 2mm		12 Pcs
Ⓓ	Allen Key M4		1 Pc
Ⓔ	Bracket		6 Pcs
Ⓕ	Screw M3.5 x 20 mm		12 Pcs

