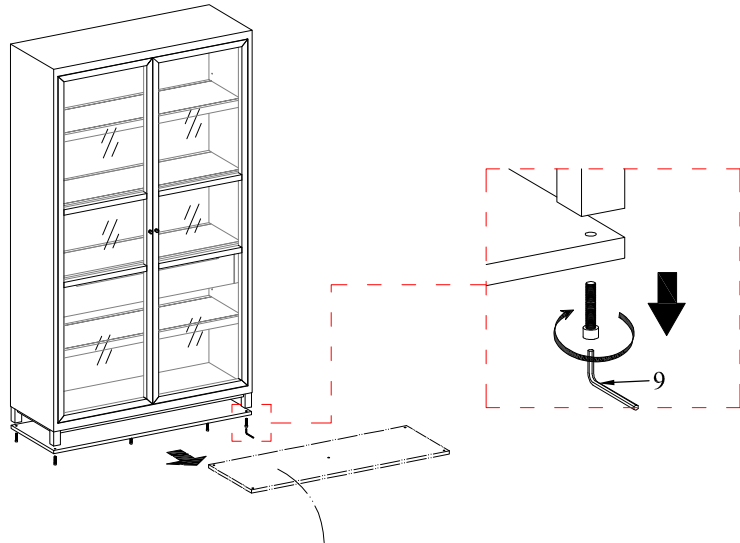


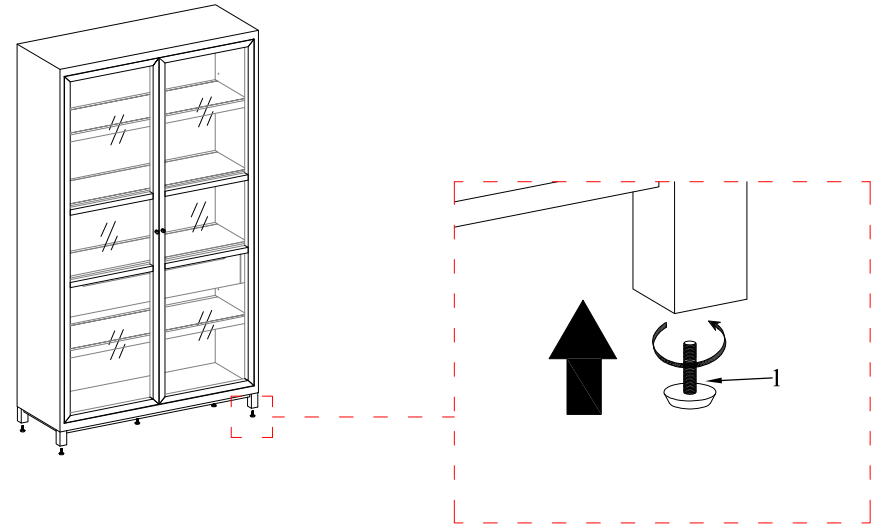
# ASSEMBLY INSTRUCTION

1








Wood skid is not part of product, please discard after removal.

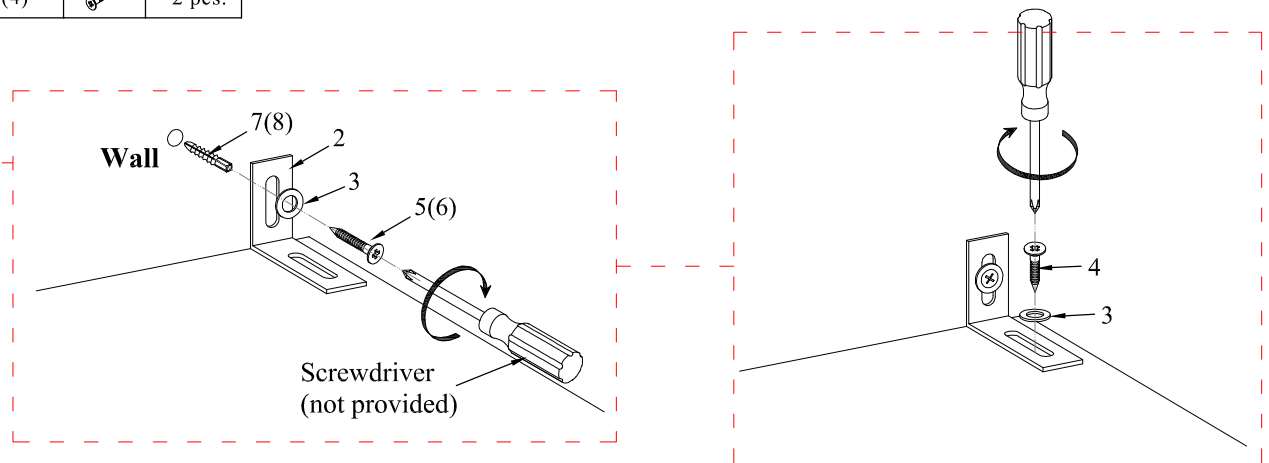
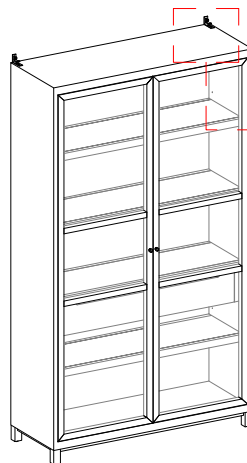
2



3

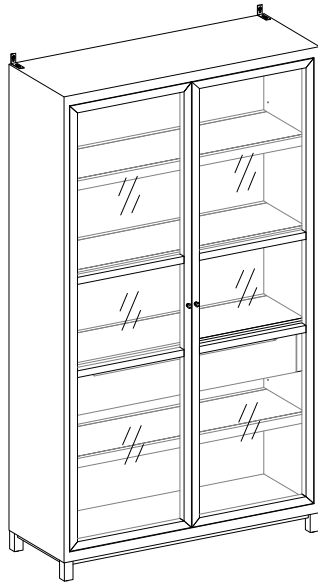
Note: Wall type choosing the appropriate Anchors:







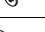


Concrete Wall	Wall anchor (7)		2 pcs.	Long Screw (5)		2 pcs.
Dry Wall	Wall anchor (8)		2 pcs.	Longer Screw (6)		2 pcs.
Wood Wall				Short Screw (4)		2 pcs.



# ASSEMBLY INSTRUCTION

4



HARDWARE LIST		
NO	DESCRIPTION	QTY
1	 Leveller	5PCS
2	 L Type Plate	2PCS
3	 Flat Washer	4PCS
4	 Short Screw	2PCS
5	 Long Screw	2PCS
6	 Longer Screw	2PCS
7	 Anchor (Concrete Wall)	2PCS
8	 Anchor (Dry Wall)	2PCS
9	 Allen Key	1PC

**Note:**

**Because of the big size and weight of this item, professional installation of the included Anti-Tip kit is required.**