

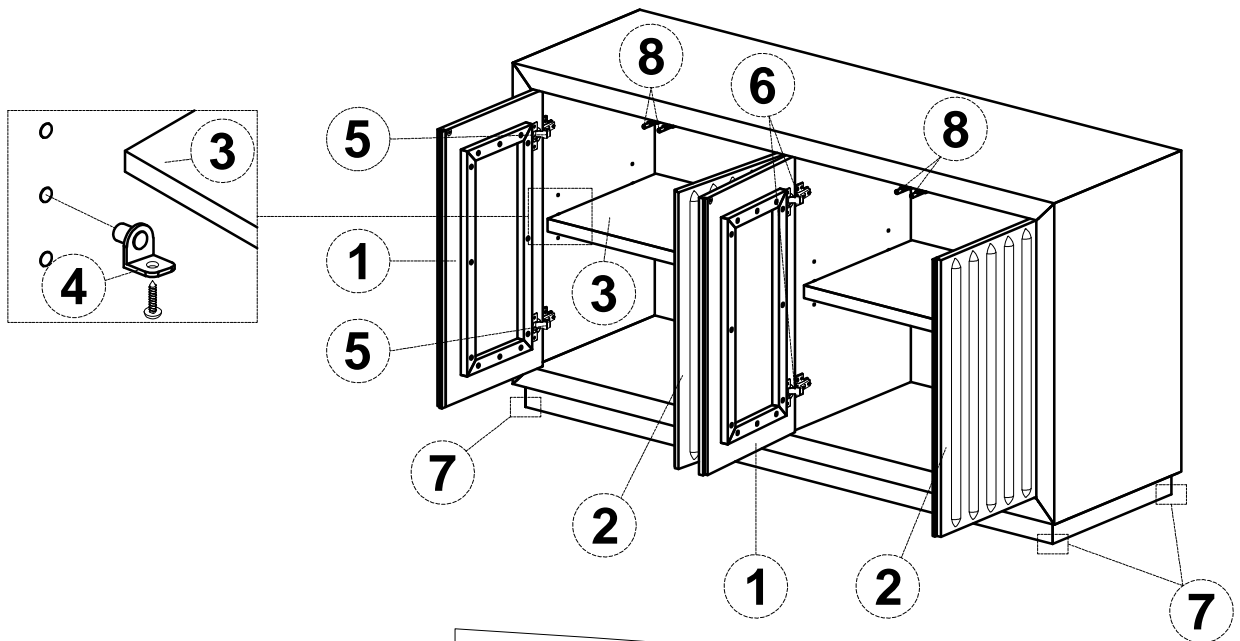
ASSEMBLY INSTRUCTIONS & PARTS IDENTIFICATION

CABINET CHESTNUT

Thank you for purchasing this quality product. Be sure to check all packing material carefully for small parts that may have come loose inside the carton during shipment.

PARTS KEY

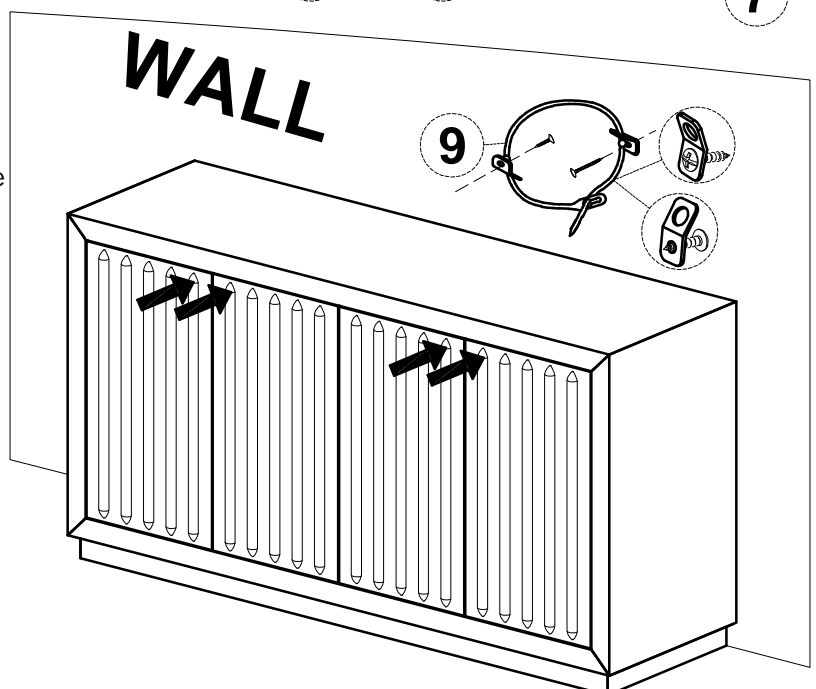
No	Qty	Description	No	Qty	Description
1	2 Pcs	CHS Left Side door	5	4 Pcs	Side door hinge
2	2 Pcs	CHS Right side door	6	4 Pcs	Center door hinge
3	2 Pcs	CHS Shelf	7	5 Pcs	Floor Levelers
4	8 Pcs	Shelf pin	8	4 Pcs	Door catch
			9	1 Set	Anti-Tip Kit



PLEASE NOTE:

To help prevent the possibility of tip-over, install the ANTI-TIP OVER restraint provided.

Adjust the floor levelers as needed to level the cabinet.



PLEASE NOTE: Press open the door