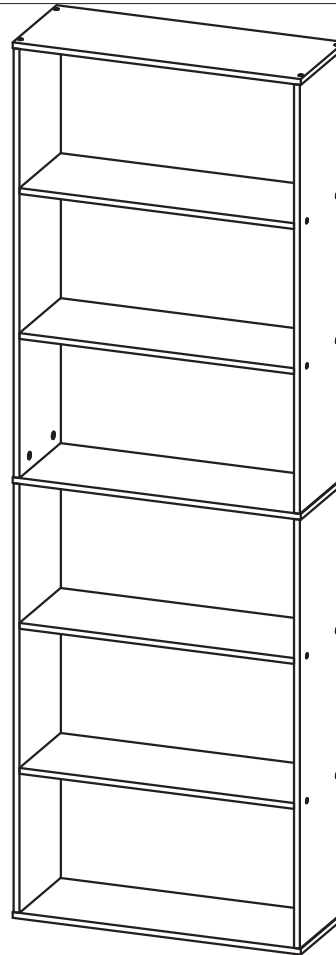



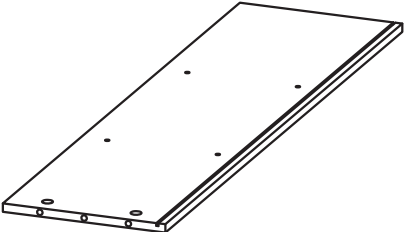
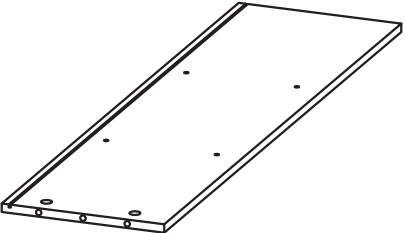
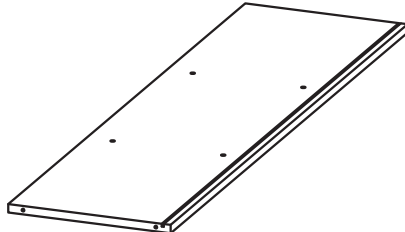




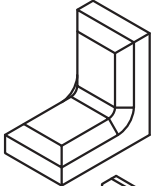
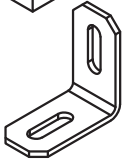







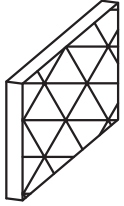


Installation Instruction

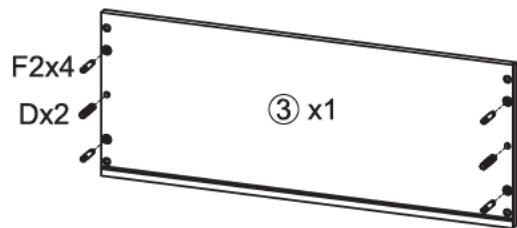
Please don't tighten the screws completely and go back later for a final tightening of all the screws after pieces are aligned with each other.



Attention !!! For the safety of your family, please install Tipover Restraint Device.

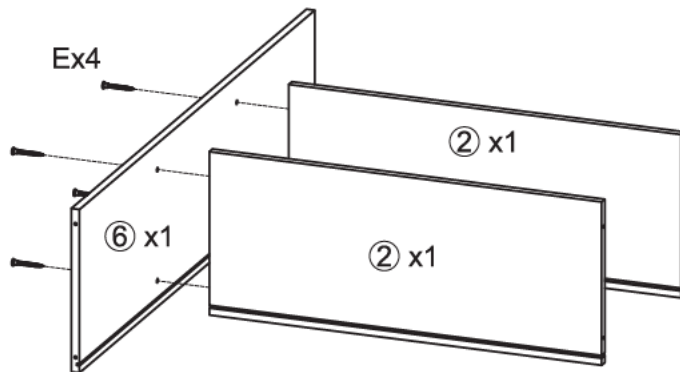
 <p>① x2PCS</p>	 <p>② x4PCS</p>	 <p>③ x1PC</p>	
 <p>④ x1PC</p>	 <p>⑤ x1PC</p>	 <p>⑥ x2PCS</p>	 <p>⑦ x6PCS</p>
 <p>4mm Ax1PC</p>	 B1x1PC  Ø8xM4x25mm B3x1PC	 28x28x18mm C1x1PC  26x26x13.5mm C2x1PC  Ø6xM3x12mm C3x1PC	 Ø8x30mm Dx2PCS
 Ø9.5xM5x46mm Ex28PCS	 Ø15x9.5mm F1x4PCS  Ø6.5x36mm F2x4PCS	 14x14x11mm G1x24PCS  Ø6xM3x16mm G2x24PCS	 Hx4PCS

Step1



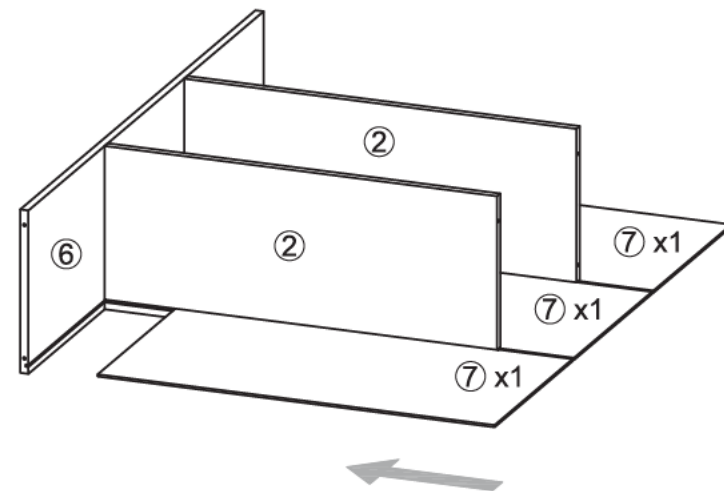
③ x1
F2x4
Dx2

Step2



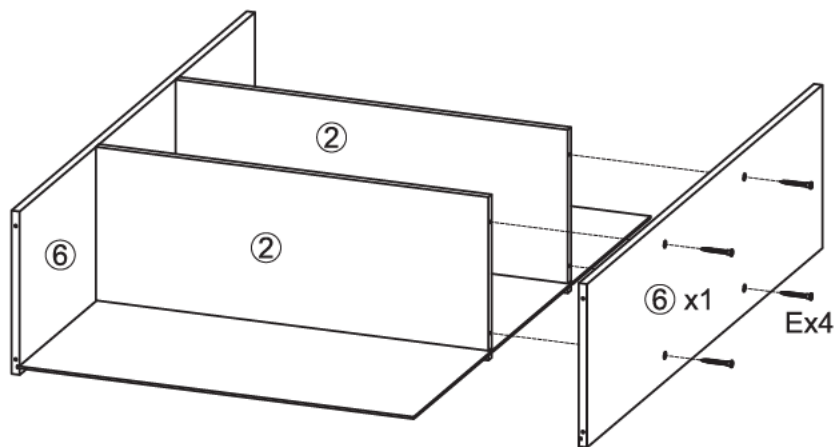
Ex4
⑥ x1
② x2

Step3



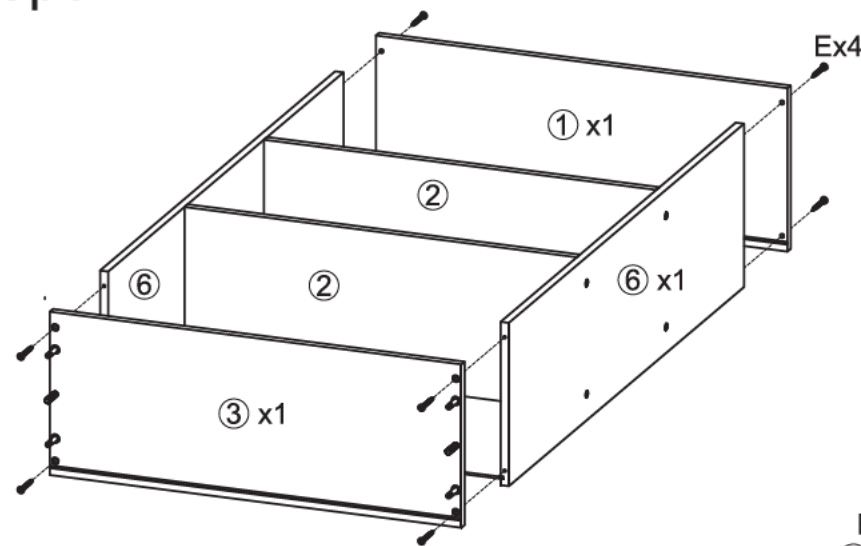
⑦ x3

Step4



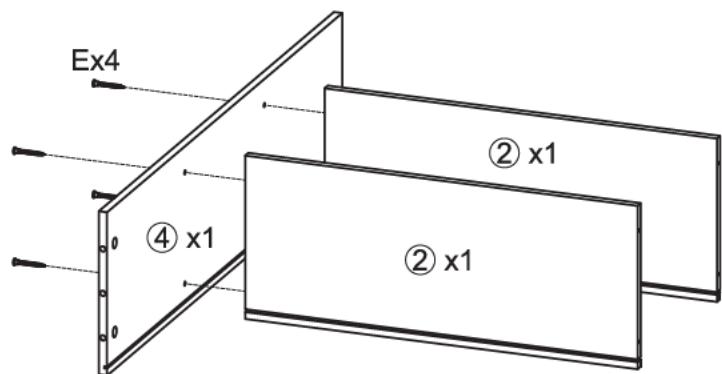
⑥ x1
Ex4

Step5



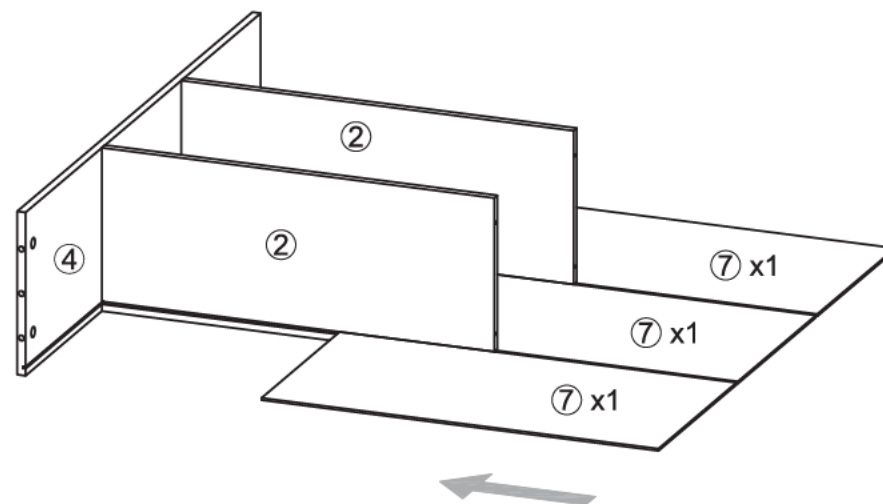
Ex8
① x1
③ x1

Step6



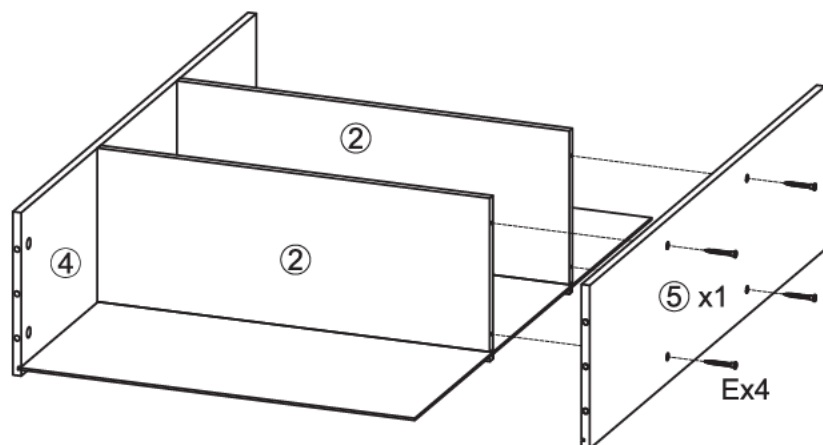
② x2
Ex4
④ x1

Step7



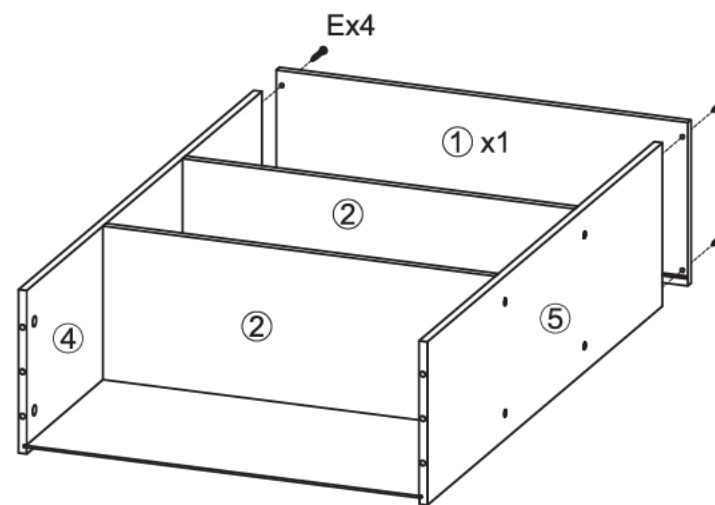
⑦ x3

Step8



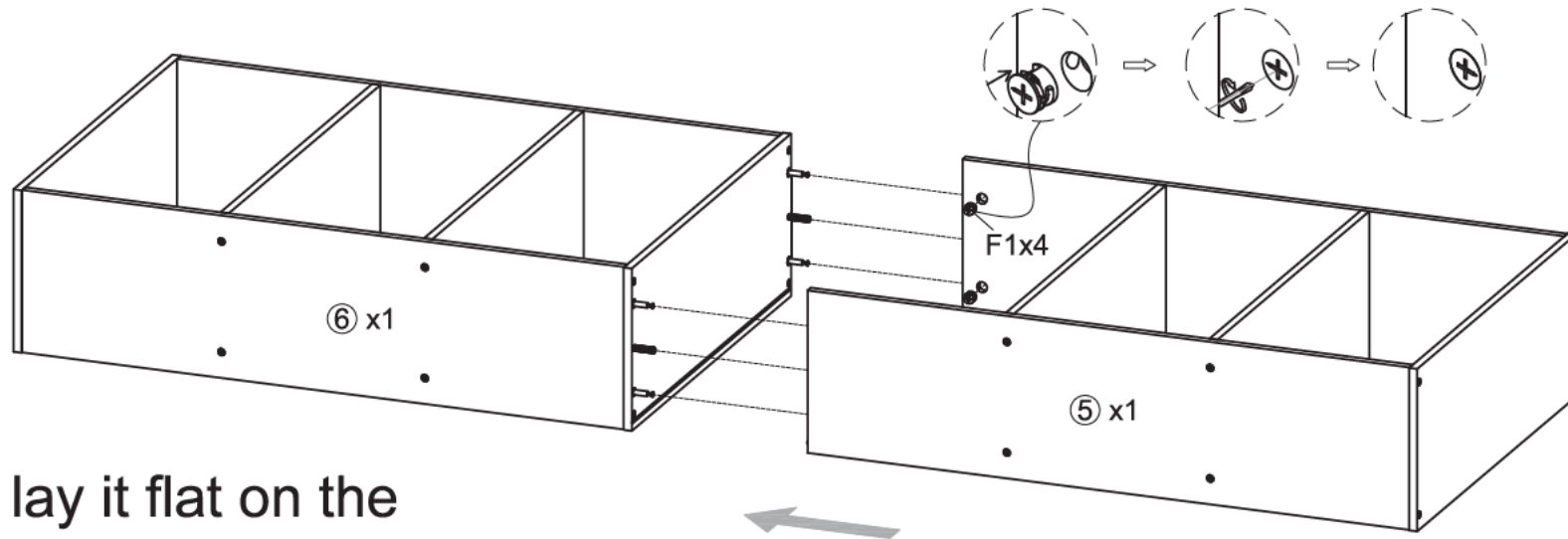
⑤ x1
Ex4

Step9



Ex4
① x1

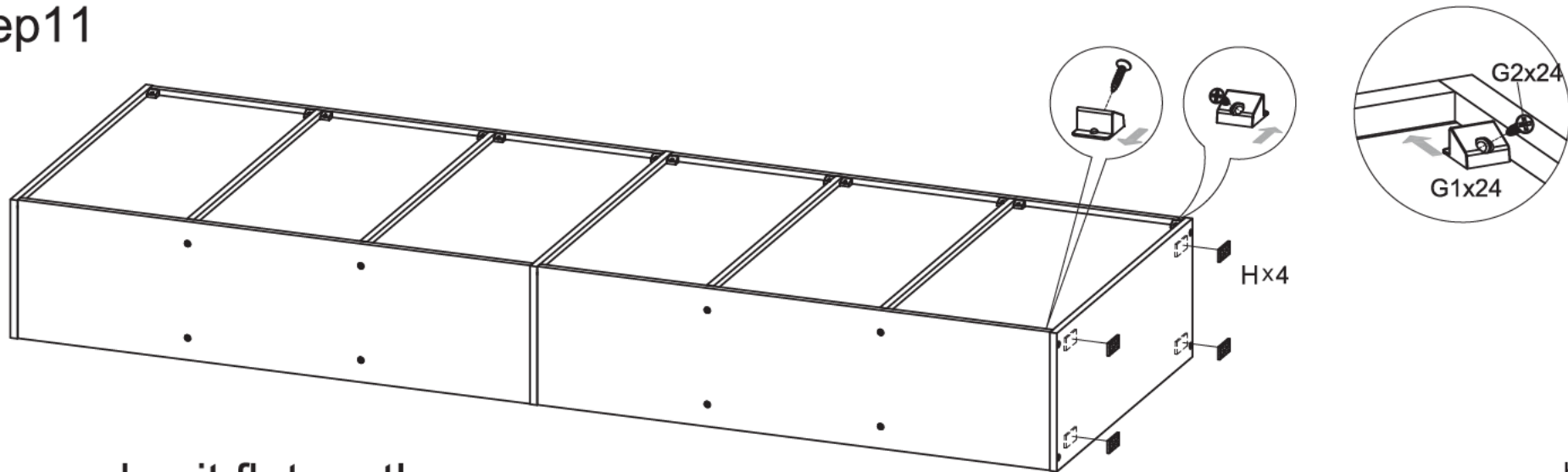
Step10



Please lay it flat on the ground to install.

F1x4

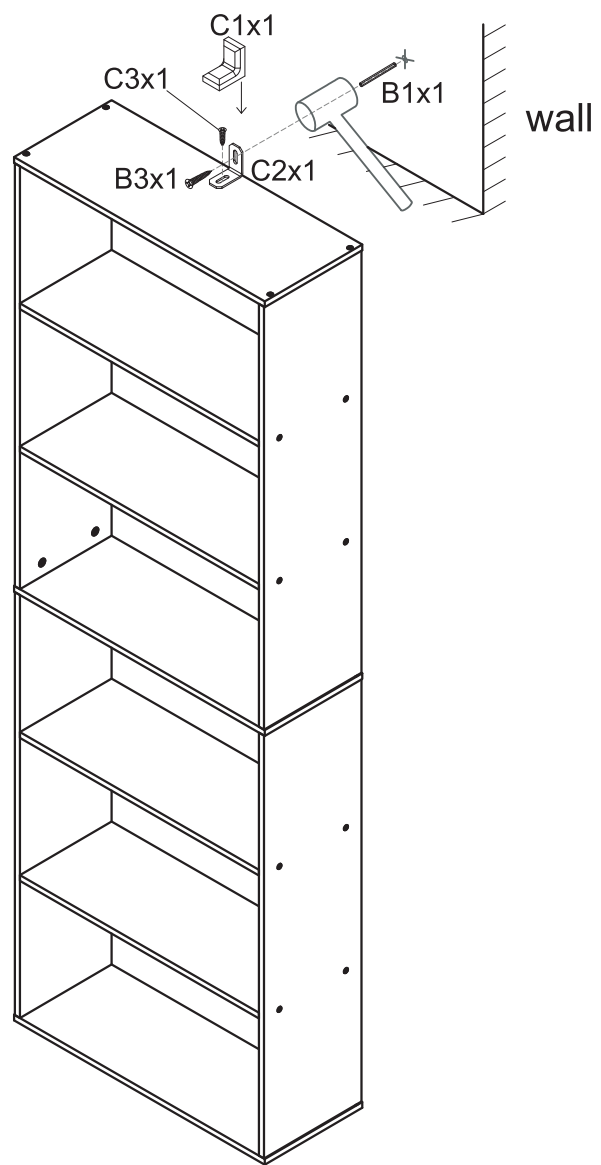
Step11



Please lay it flat on the ground to install.

Hx4
G1x24
G2x24

Step12-1



Step12-2

