

# LED Linear High Bay Installation Instruction

## Cautions:

- 1.Can not use the electric generator to test the LED lamp.
- 2.Please abide by related country, regional and local law and regulations when install this fixture.
- 3.Please turn off the power before installation or maintenance.
- 4.Proper earth grounding is required to ensure safety.

## Notice:

- 1.To avoid possibility of electrical shock or fire, the installation personnel must have professional electric knowledge.
- 2.Please wear gloves to avoid injury before installation.
- 3.If any smoke or spark of the wire happened, please turn off the power immediately and notify relevant personnel.

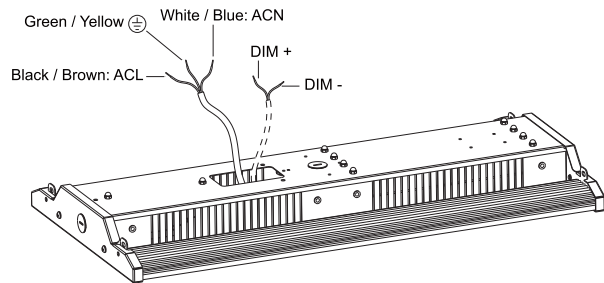
## Attention:

- 1.Please check if there is any damage during shipping. If so, please contact manufacturer timely.
- 2.Please read the installation instruction carefully to check whether all the accessories are complete. After confirmation, then install the fixture according to installation steps.

## Wiring Diagram & Instruction:

3 dimming functions are available in this high bay light:

- 1.Constant current can be achieved by 1-10VDC dimming;
- 2.PWM signal dimming;
- 3.Variation of resistance unit dimming.  
Please choose the appropriate dimming way according to your needs. You can also choose not to use this function.



\*The product can not be connected to a dimming device when it's equipped with Motion Sensor.

4 Installation ways : Lifting Installation, 3/4"NPT Installation, Surface mounted, Column installation. **(Please choose the most suitable installation method for the purchased product as per your needs)**

Please note, if the installation mode changed by users themselves, minor defects in the appearance of the light may cause.

## A. Lifting Installation ( This installation instruction is suitable for installation by lifting rope and by chain)

- Step 1.Fix the lifting rope on the rail (Figure 1)
- Step 2.Fix the light on the lifting rope (Figure 1)
- Step 3.Adjust the rope length accordingly (Figure 1)
- Step 4.After installation, choose appropriate connecting hole, then connect the wire of the lamp to the mains according to local wiring rules, make good protection on the connection.

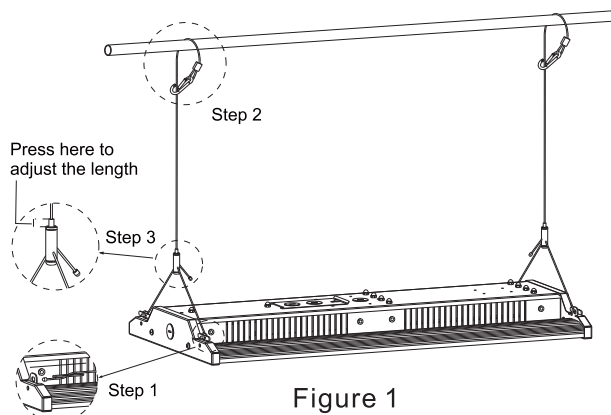


Figure 1

### B. 3/4"NPT Installation

- Step 1. Install the fixture on 3/4"NPT (Figure 2)
- Step 2. Install the 2 brackets on the corresponding holes on the lamp with screws (Figure 3)
- Step 3. Fix Bracket 2 on the corresponding position of Bracket 1, then finish installation(Figure 4)
- Step 4. Please connect the wire of the lamp to the mains according to local wiring rules, make good protection on the connection.

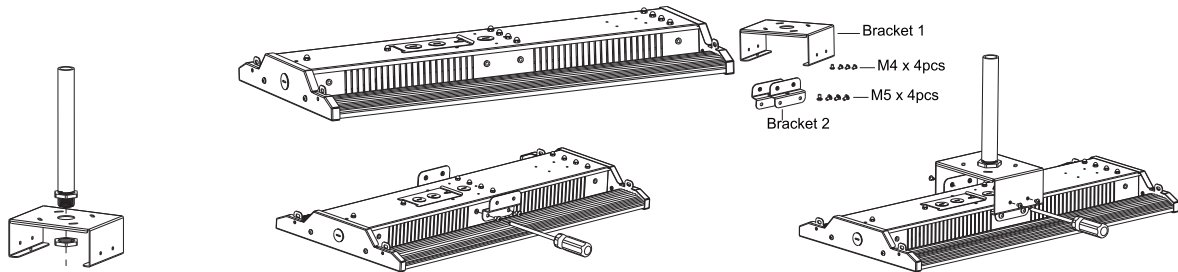


Figure 2

Figure 3

Figure 4

### C. Surface Mounting or Column Installation

- Step 1. Fix the bracket on the fixture with screws (Figure 5)
- Step 2. Drill holes on the ceiling according to bracket design, fix bolts on the holes, fix the bracket on bolts (Figure 6) Fixture can also be installed with stud. (Figure 7)
- Step 3. After installation, choose appropriate connecting hole, then connect the wire of the lamp to the mains according to local wiring rules, make good protection on the connection.

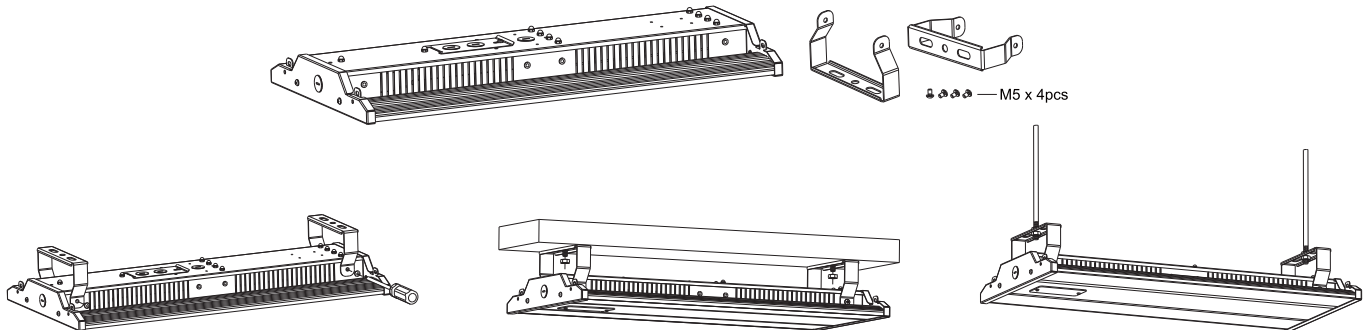


Figure 5

Figure 6

Figure 7

### Installation of optional accessories: 1. Lamp cover; 2. Wire-guard; 3. Motion sensor ; 4. PIR sensor ; 5. Emergency battery

- 1. **Lamp cover** ( Please purchase lamp cover of appropriate dimensions from supplier.)
- Step 1. Use a screwdriver to open the side cover of the fixture (Figure 8).
- Step 2. Fix the lamp cover on corresponding position on the fixture (Figure 9)
- Close the side cover of the fixture (Figure 10)

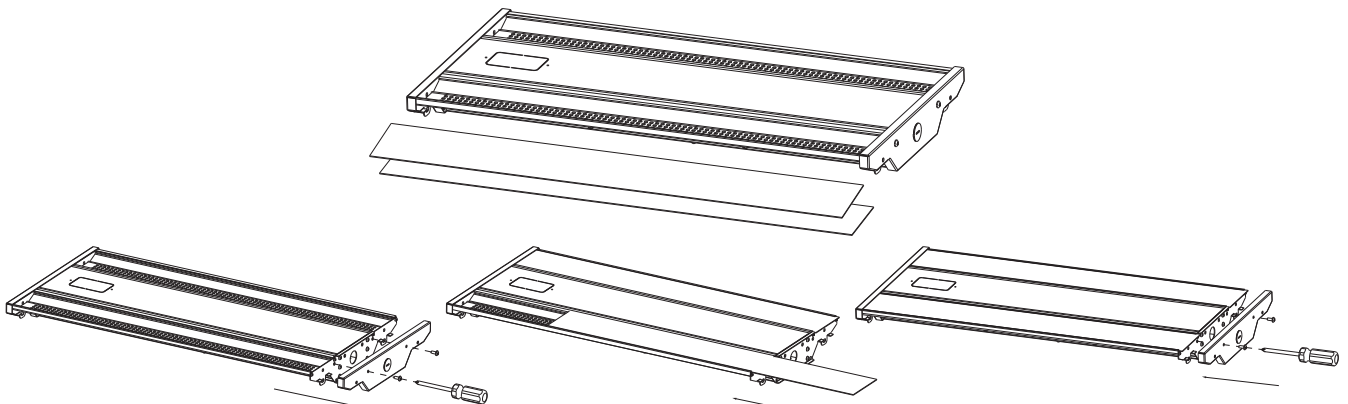


Figure 8

Figure 9

Figure 10

**2. Wire-guard** ( Please purchase wire-guard of appropriate dimensions from supplier.)

Step 1. Fix the wire-guard on the fixture with screws (Figure 11)

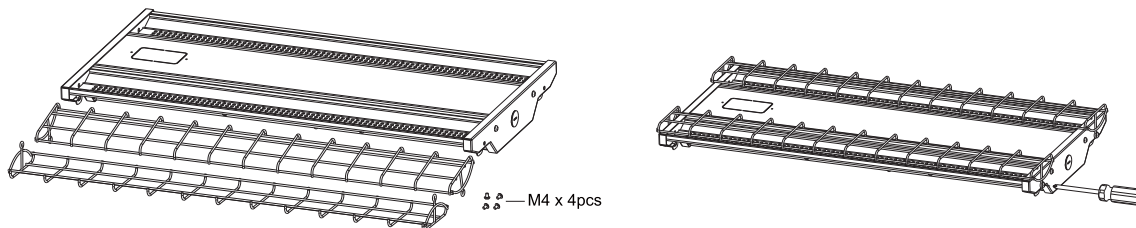


Figure 11

**3. Motion sensor** (Please purchase suitable Motion sensor and accessories from supplier, This function is only applicable to fixture within 277V voltage)

Step 1. Use a screwdriver to open the cover of driver box (Figure 12)

Step 2. Fix microwave sensor on corresponding position (Figure 13)

Step 3. Remove the breakable plate for microwave sensor in driver box, install microwave protection plate. (Figure 14)

Step 4. Connecting wires according to wiring instruction of microwave sensor, then close the driver box cover.

\*The installation of Motion sensor of 50w is the same as the installation of PIR sensor.

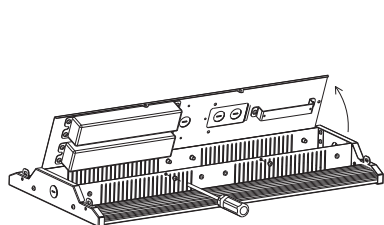
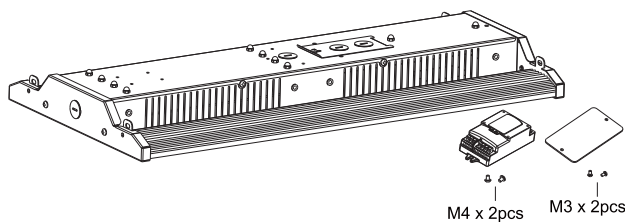


Figure 12

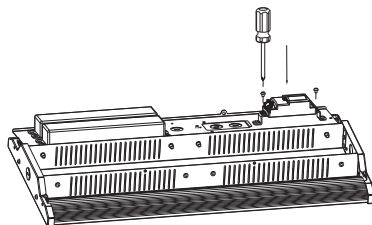


Figure 13

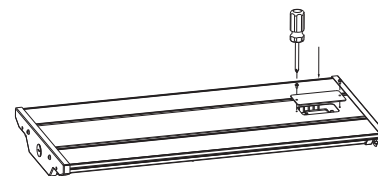


Figure 14

**4. PIR sensor** (Please purchase suitable PIR sensor from supplier, This function is only applicable to fixture within 277V voltage)

Step 1. Use a screwdriver to open the side cover of the fixture, like step in Figure 8.

Step 2. Remove the breakable hole on the side cover of the fixture, install PIR sensor on the cover(Figure 15) Fix the cover on the fixture.

Step 3. Use a screwdriver to open the cover of driver box, like the step in Figure 12.

Step 4. Connecting wires according the wiring instruction of PIR sensor, then close the driver box cover.

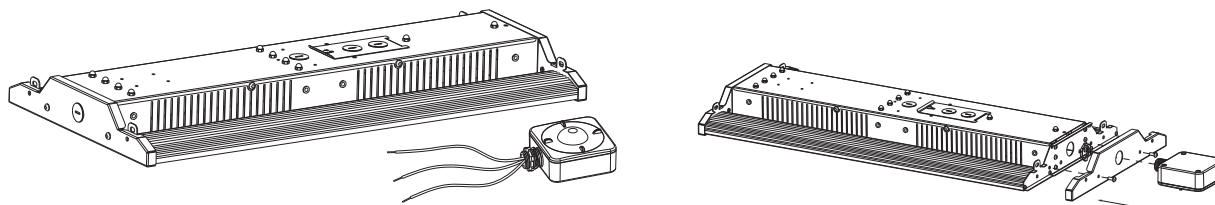


Figure 15

**5. Emergency battery** ( Please purchase suitable emergency battery from supplier. This function is only applicable to fixture within 277V voltage)

Step 1. Remove screws from studs of emergency battery (Figure 16)

Step 2. Use a screwdriver to open the cover of driver box, like the step in Figure 12.

Step 3. Insert the studs on emergency battery to corresponding holes on driver box cover, then fix them with screws that were removed in the step in Figure 16 (Figure 17)

Step 4. Connect the DC wire of emergency battery to DC wire of fixture, then choose appropriate connecting hole, and connect the wire of the lamp to the mains according to local wiring rules, make good protection on the connection.

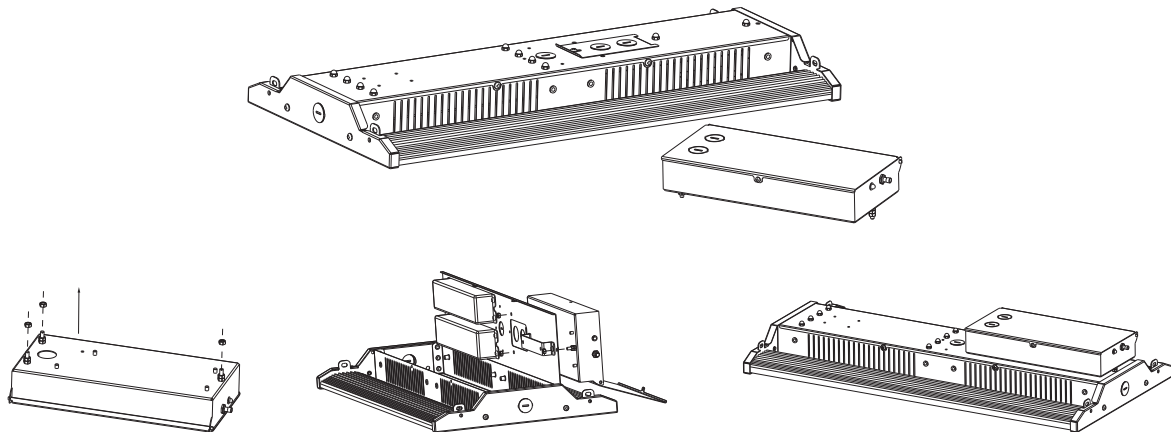


Figure 16

Figure 17

**Warning / Avertissement**

**MIN 75°C SUPPLY CONDUCTOR**

**THIS PRODUCT MUST BE INSTALLED IN ACCORDANCE WITH THE APPLICABLE INSTALLATION CODE BY A PERSON FAMILIAR WITH THE CONSTRUCTION AND OPERATION OF THE PRODUCT AND THE HAZARDS INVOLVED.**

**LES FILS D'ALIMENTATION 75°C MIN**

**CE PRODUIT DOIT ÊTRE INSTALLÉ SELON LE CODE D'INSTALLATION PERTINENT, PAR UNE PERSONNE QUI CONNAÎT BIEN LE PRODUIT ET SON FONCTIONNEMENT AINSI QUE LES RISQUES INHÉRENTS.**