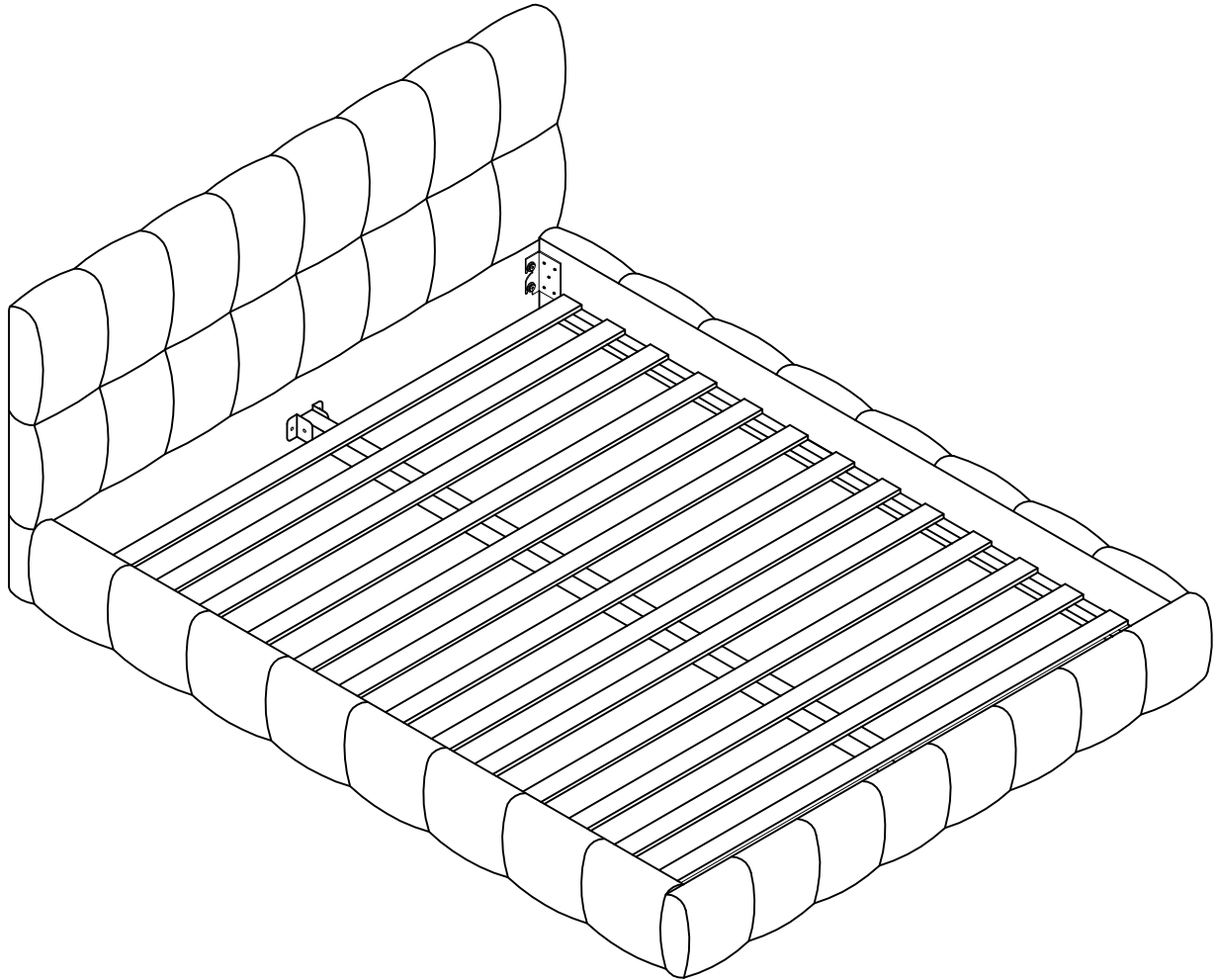


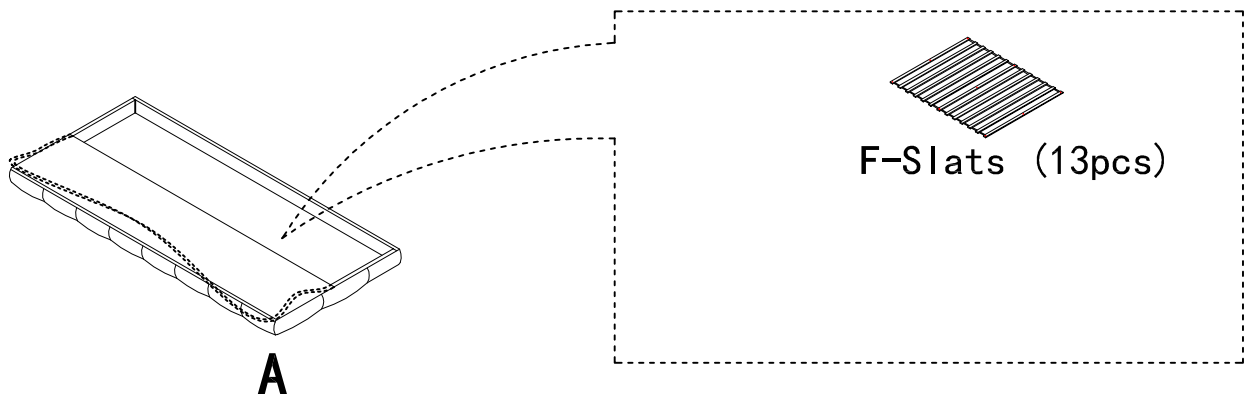
# ASSEMBLY INSTRUCTIONS



Install all screws according to the instructions, and then tighten them completely.

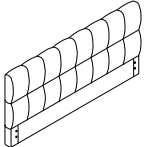
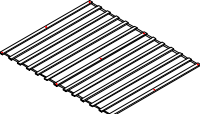
NOTE: The slats are stored at the bottom of Section A

STEP :Packing Details

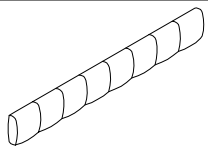
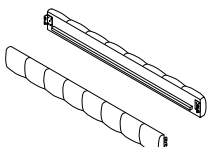
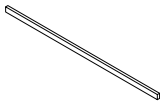
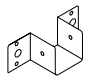
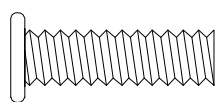
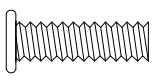

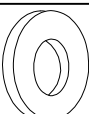
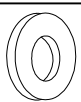
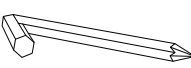

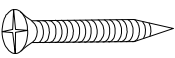


# PACKING DETAILS:TOTAL 2 BOXES

## BOX- 1/2

PART	
	<b>A-HeadBoard</b> (1pc)
	<b>F-Slats</b> (13pcs)

## BOX-2/2

PART	
	<b>B-Foot Board</b> (1pc)
	<b>C-Side Rails</b> (2pcs)
	<b>D-Center Support Bar</b> (1pc)
	<b>E- (2pcs)</b>
	<b>m8*30</b> 1 -Bolt (8pcs)
	<b>m6*25</b> 2 -Bolt (4pcs)
	<b>m8</b> 3 -Spring Washer (8pcs)
	<b>m8*16</b> 4 -Flat Washer (8pcs)
	<b>m6*16</b> 5 -Flat Washer (4pcs)
	<b>m8</b> 6 -Allen Key (1pcs)
	<b>m6</b> 7 -Allen Key (1pcs)
	<b>M4*25</b> 8 - Screw (9pcs)

# ASSEMBLY INSTRUCTIONS

## STEP 1:



m8\*30

1 -Bolt (8pcs)

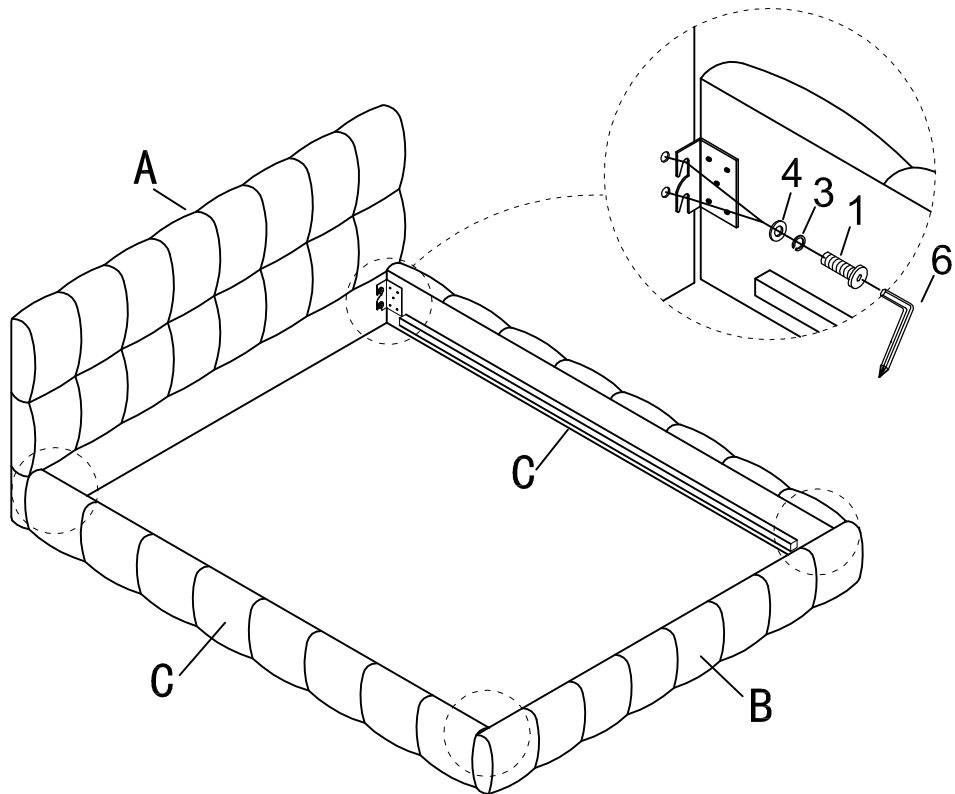


3 -Spring Washer  
(8 pcs)



m8\*16

4 -Flat Washer  
(8pcs)



## STEP 2:



m6\*25

2 -Bolt (4pcs)

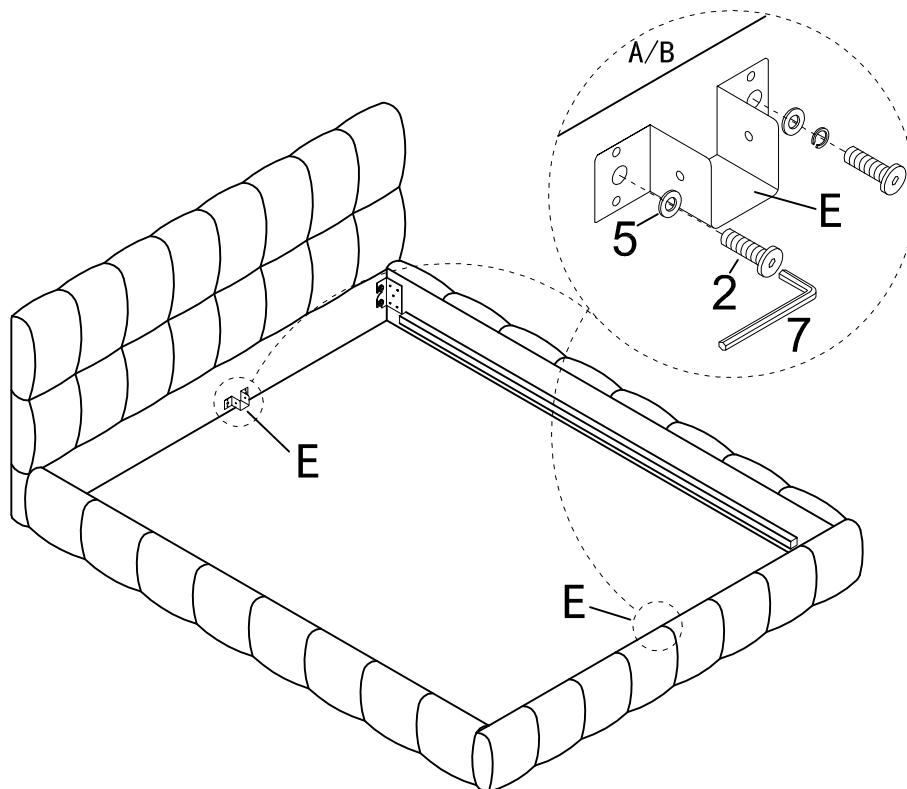


m6\*16

5 -Flat Washer  
(4pcs)



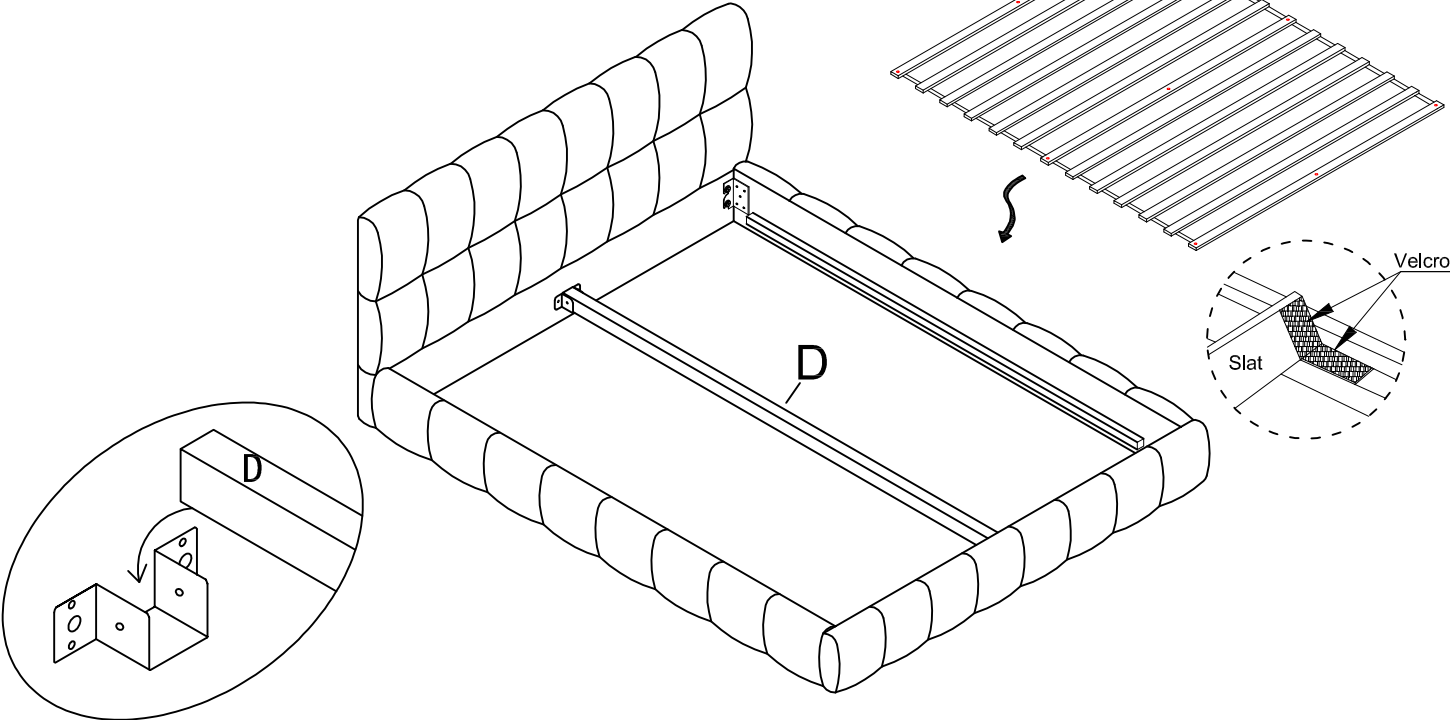
E- (2pcs)



# ASSEMBLY INSTRUCTIONS

STEP 3:

F-Slats (13pcs)



STEP 4:



M4\*25

8 - Screw (9pcs)

