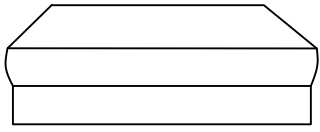
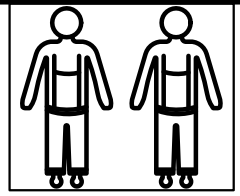
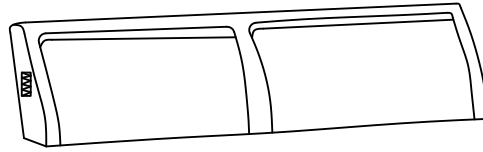


# ASSEMBLY INSTRUCTION SF



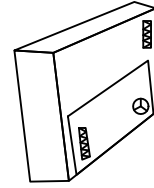
A\*1

Seat Cushion Base with Storage



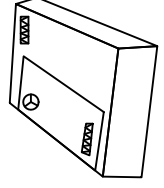
B\*1

Back Support



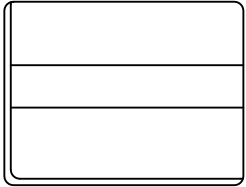
C\*1-LEFT

Left Armrest



C\*1-RIGHT

Right Armrest



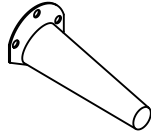
D\*2

Back Cushion



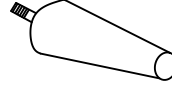
E\*2

Throw pillow



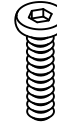
F\*2

Back Legs



G\*2

Front Legs



H\*6

Screws



I\*1

Allen Wrench



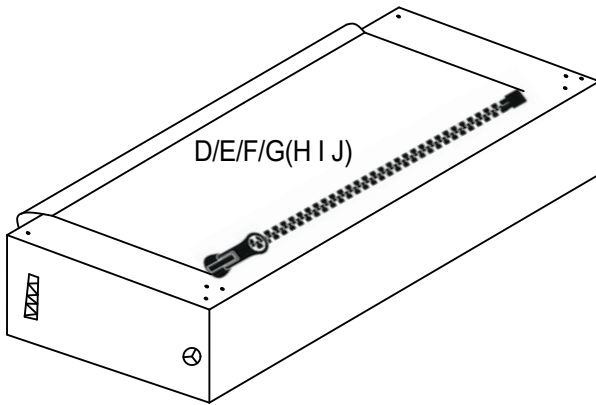
J\*4

Anti-Slip Pads

## STEP 1

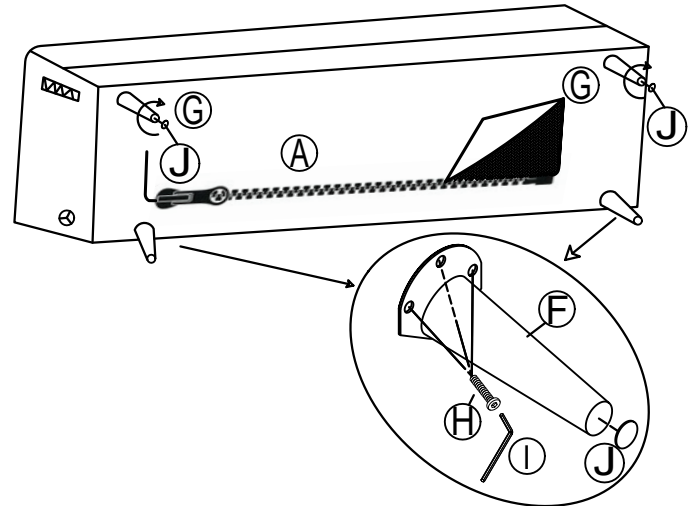
Place Part A (Seat Cushion Base with Storage) upside down

Locate the zipper on the bottom side and unzip it to access the internal compartment.

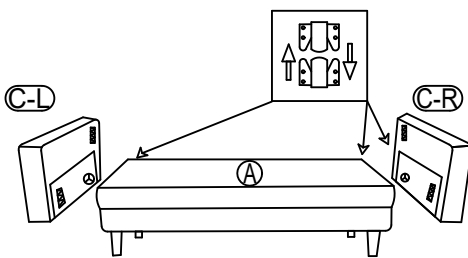


Remove Part D (Back Cushion) from the compartment. Inside, you will also find Parts E and F/G (Legs), as well as the hardware kit including H, I, and J.

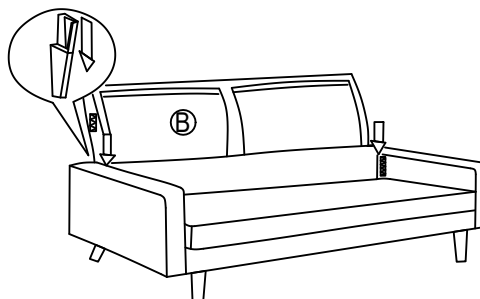
## STEP 2



## STEP 3



## STEP 4



## STEP 5

