



# INSPIREDHOME®

## NST155-09 Assembly Instructions

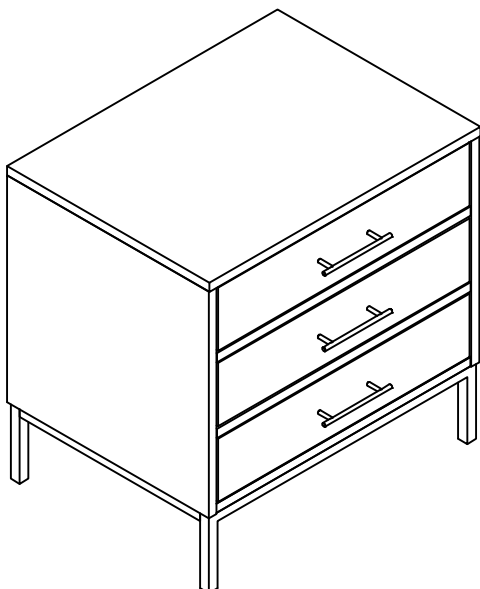
Lance

### Parts

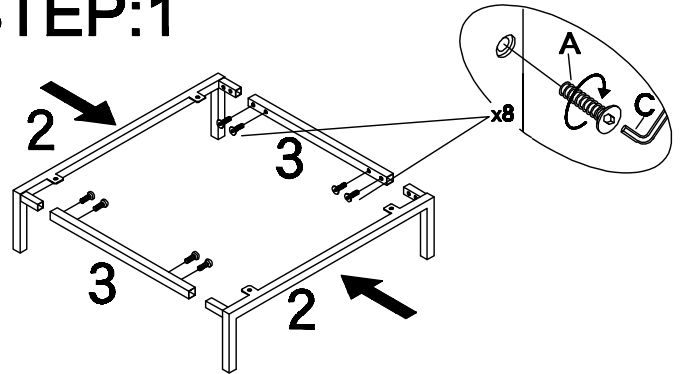
NO.	Picture	Description	Size(cm)	QTY
1		Table Body	60.8x45.5x46	1
2		Metal Tube	60x15x7	2
3		Metal Tube	40.5x2x2	2

### Hardware

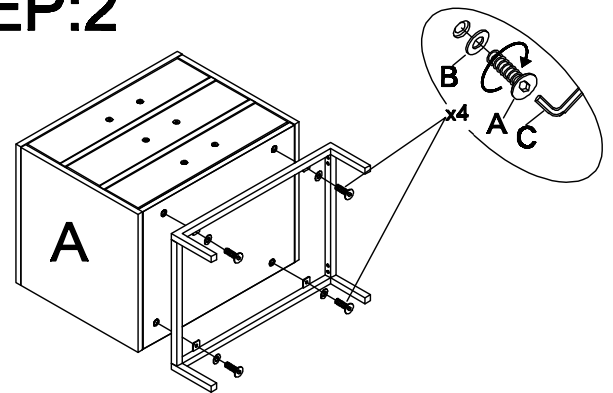
NO.	Picture	Description	Size(mm)	QTY
A		Bolt	M6x15	12
B		Washer	M6x18	4
C		Allen Key	M4	1



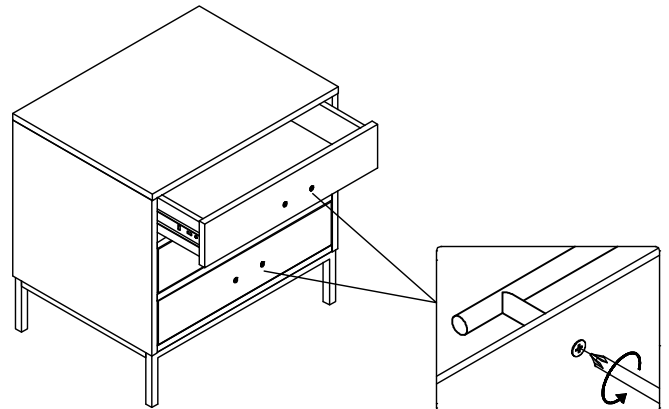
### STEP:1



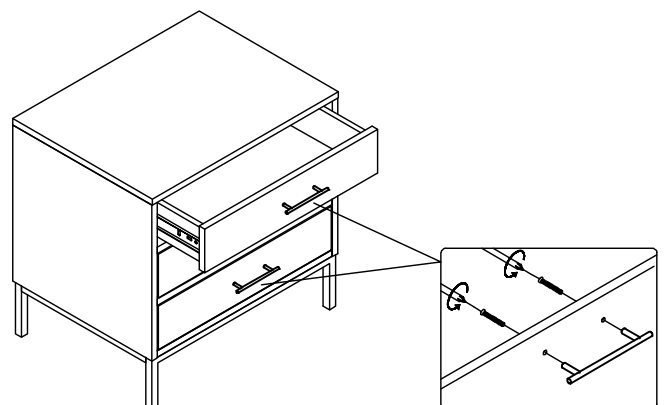
### STEP:2



### STEP:3



### STEP:3



Overall Size:24"x18"x24"H