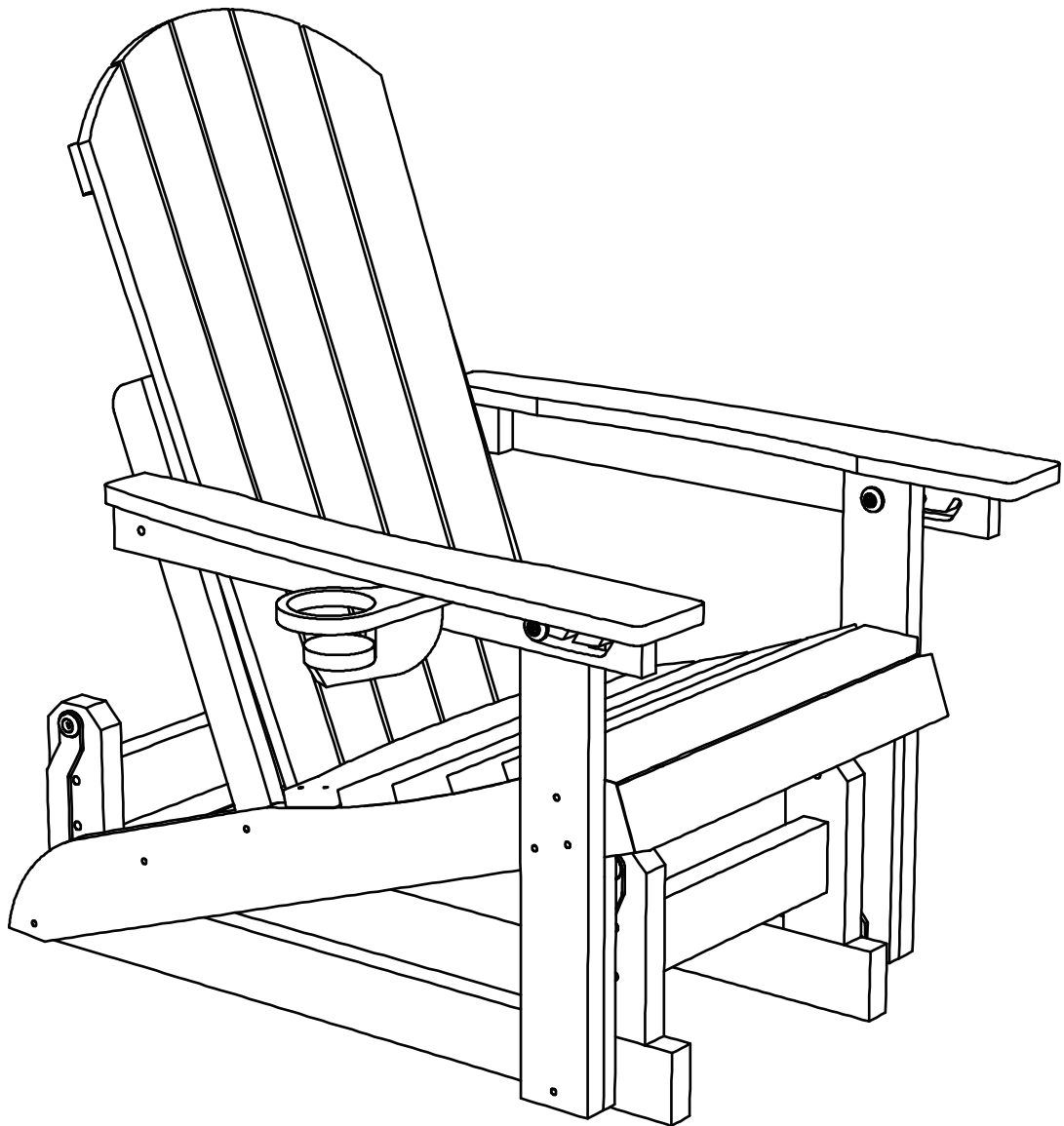


Glider Chair

Assembly Instruction



INTRODUCTION

Thank you for purchasing our products. Please read the instructions carefully before installation and keep it in a safe place for future reference. If you need any assistance or support, please feel free to contact our customer support team.

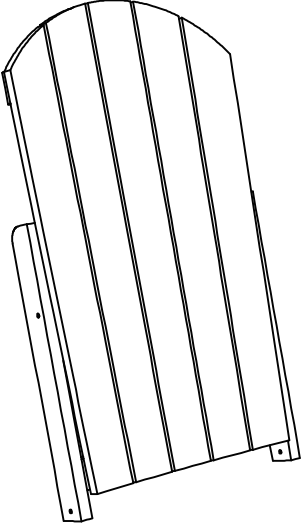
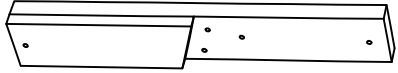

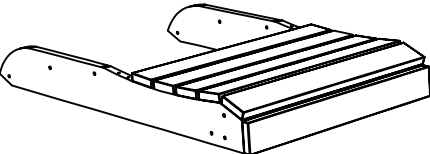


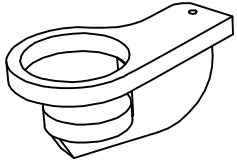
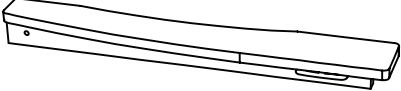
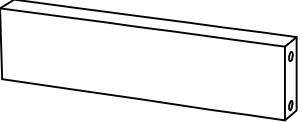
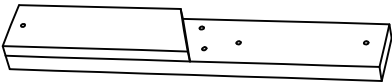
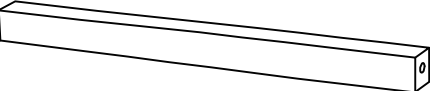
PRECAUTIONS

1. There are many components and accessories in the package. Each component and accessory is labeled with a letter or a number, check carefully before using any of them. Keep them away from children to prevent accidents.
2. Please install the product on a clean and soft underlay (such as carpet or cardboard) to avoid scratching or damaging the surface of the product.
3. The main components of the product are relatively heavy. Please pay attention to safety during installation.
4. The product is not stable during installation. Please do not move it randomly before it is completely installed.
5. If you have any questions during installation, please contact the customer service in time.


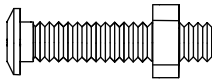

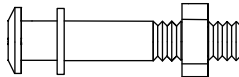

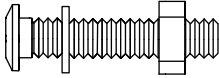
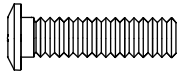
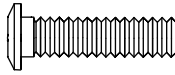
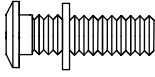
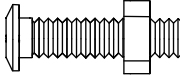
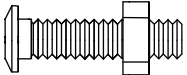
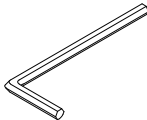
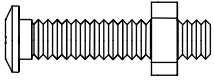
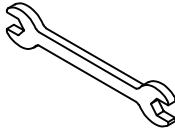
***PLEASE BE SURE TO FOLLOW THE INSTALLATION STEPS TO AVOID UNNECESSARY LOSSES CAUSED BY IMPROPER INSTALLATION.**

***IF YOU NEED FURTHER ASSISTANCE, PLEASE GET IN TOUCH WITH THE CUSTOMER SERVICE ONLINE.**



Parts List

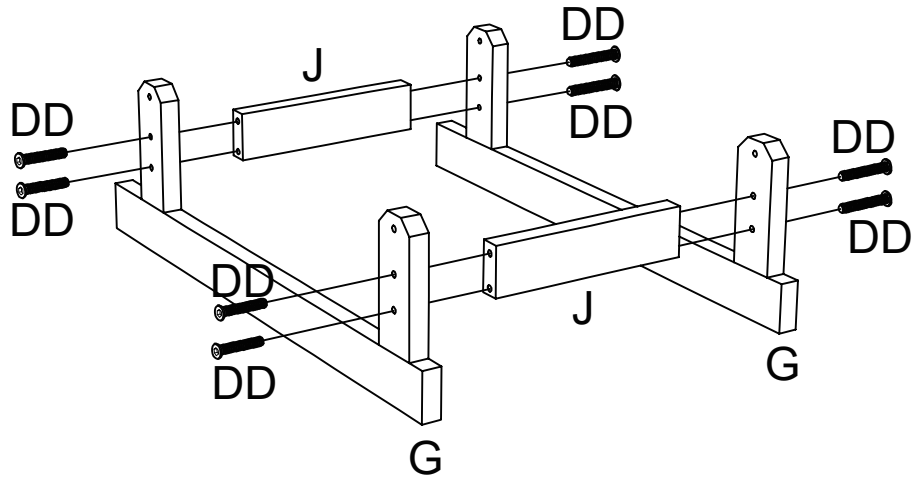
A		1PC	F		1PC
			G		2PCS
B		1PC	H		1PC
C		1PC	I		1PC
D		1PC	J		2PCS
E		1PC	K		1PC

Parts List


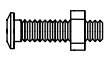


AA		4PCS	HH	 <p>M6*60 Bolt</p>	2PCS
BB	 <p>4*35 Screw</p>	4PCS	II	 <p>M6*80 Bolt</p>	2PCS
CC		2PCS	JJ	 <p>M6*55 Bolt</p>	2PCS
DD	 <p>M6*50 Bolt</p>	8PCS	KK	 <p>M6*45 Bolt</p>	2PCS
EE	 <p>M6*25 Bolt</p>	1PC	LL	 <p>M6*35 Bolt</p>	2PCS
FF	 <p>M6*45 Bolt</p>	4PCS	MM		1PC
GG	 <p>M6*55 Bolt</p>	6PCS	NN		1PC

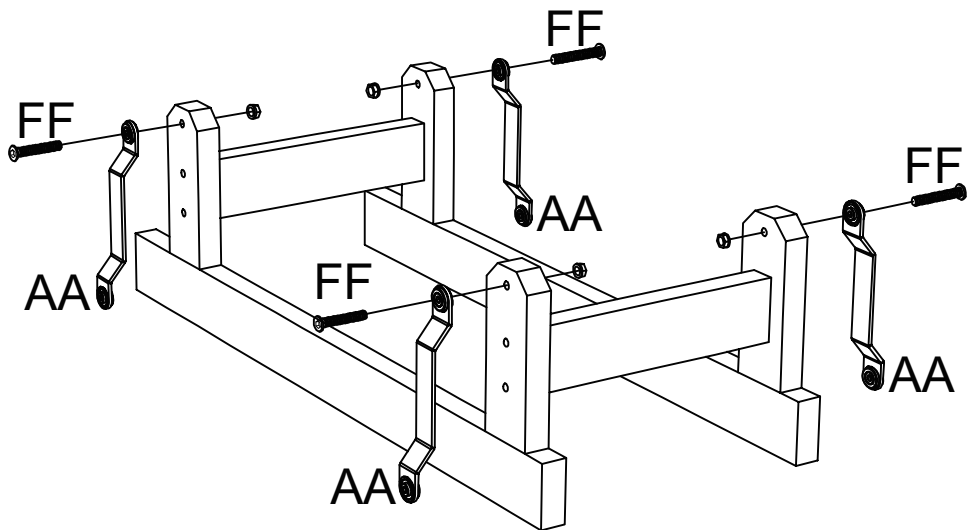
STEP 1

DD		x8
MM		x1





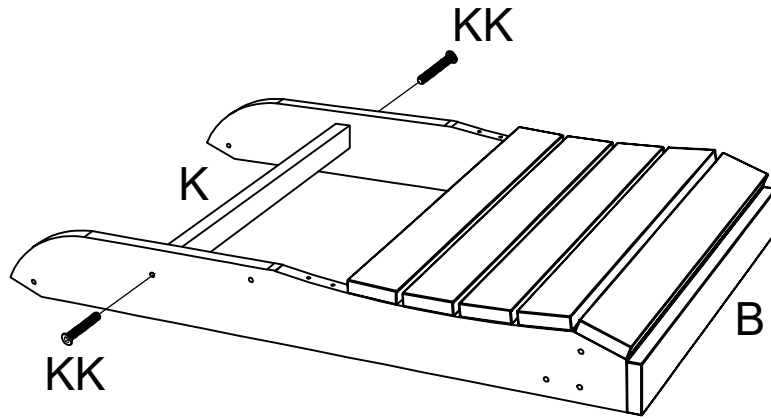
STEP 2

AA		x4
FF		x4
MM		x1
NN		x1

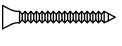



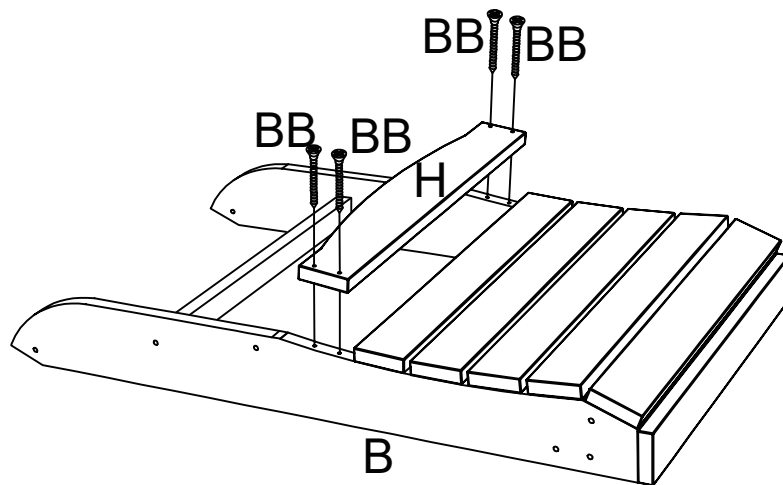
STEP 3

KK		x2
MM		x1

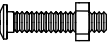



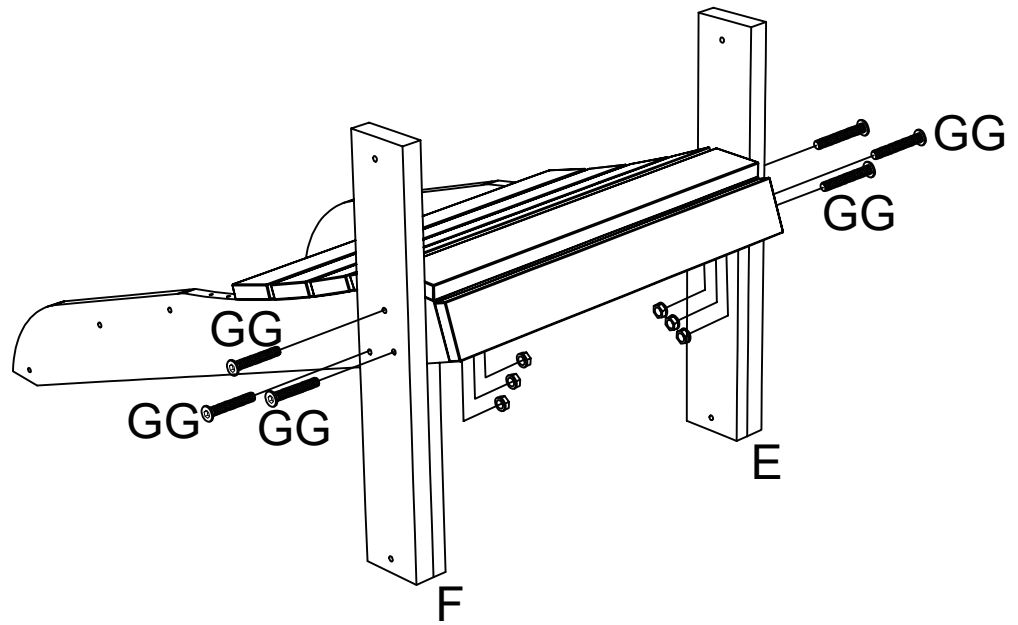
STEP 4

BB		x4
MM		x1

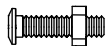
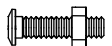




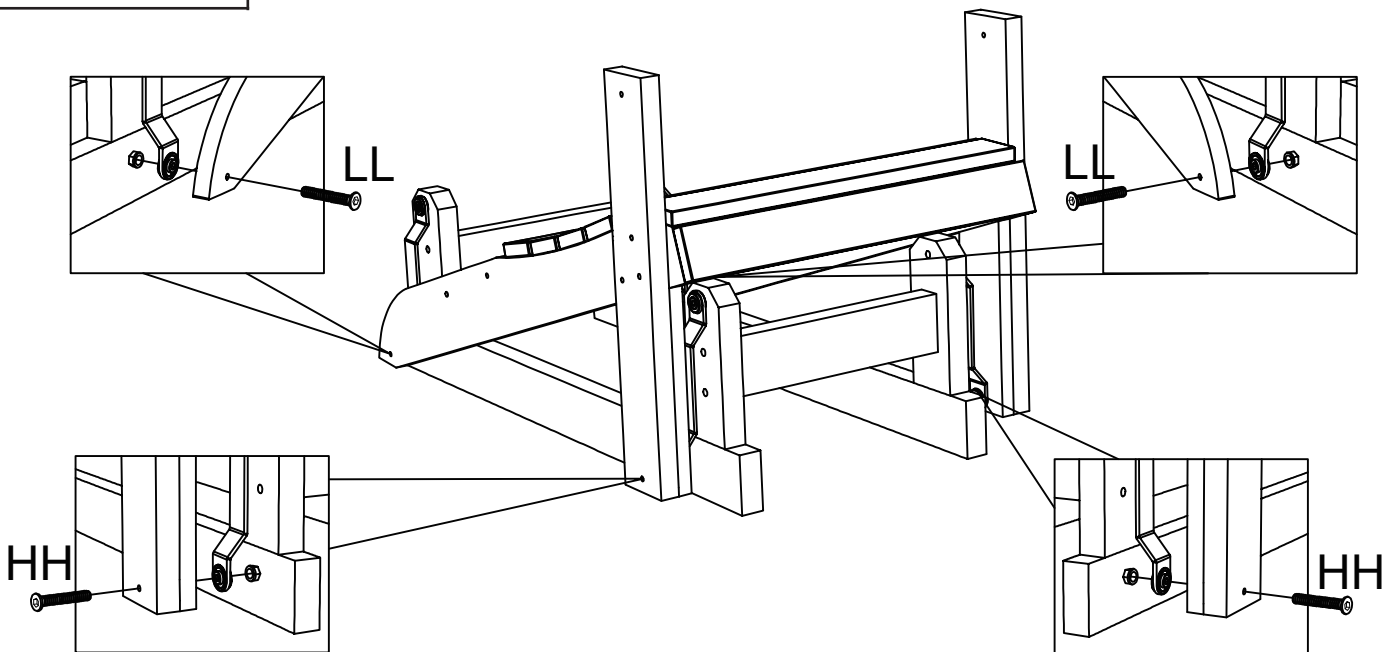
STEP 5

GG		x6
MM		x1

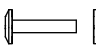



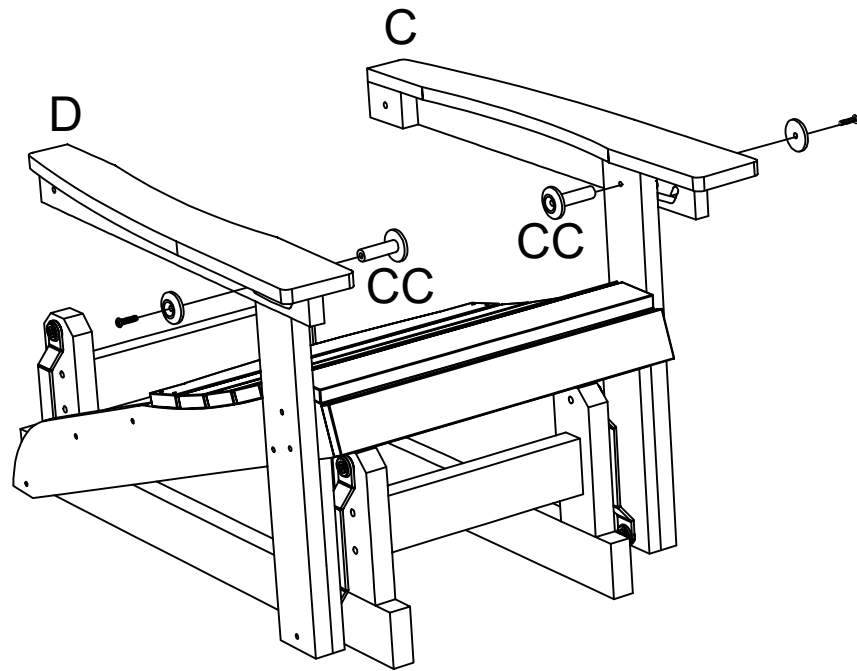
STEP 6

HH		x2
LL		x2
MM		x1
NN		x1

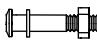





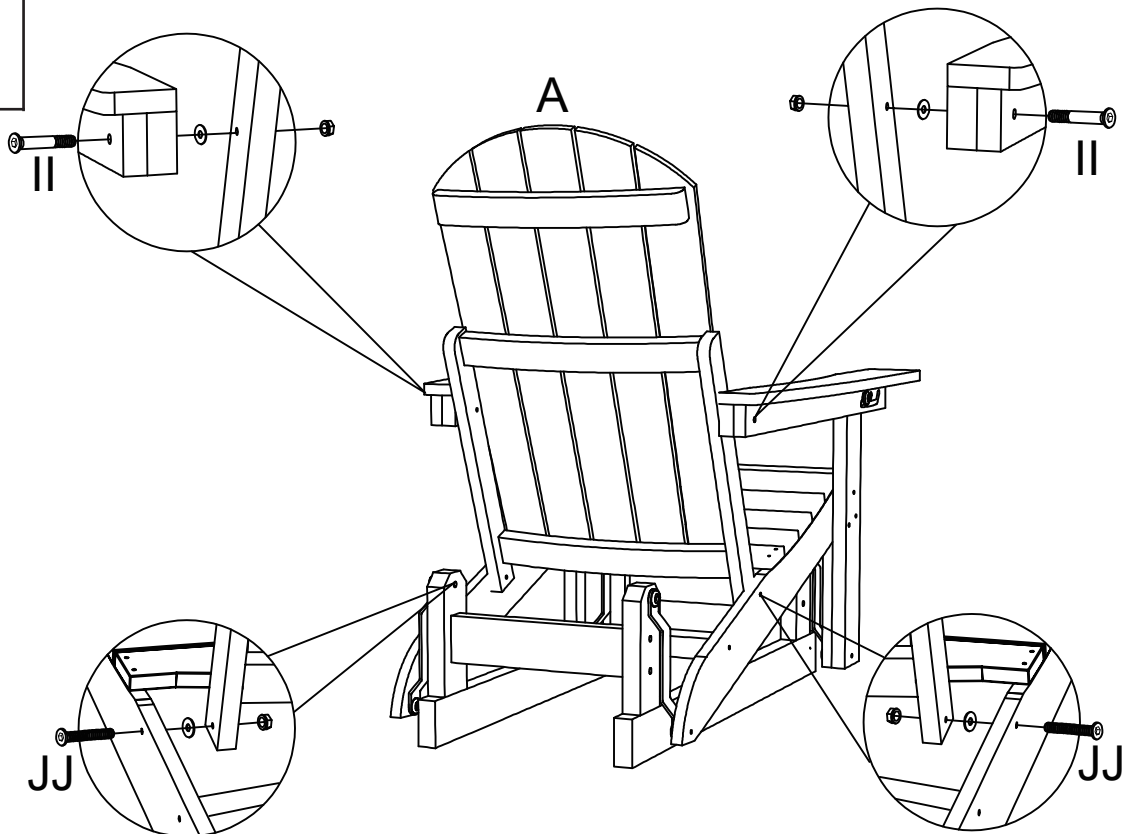
STEP 7

CC		x2
MM		x1





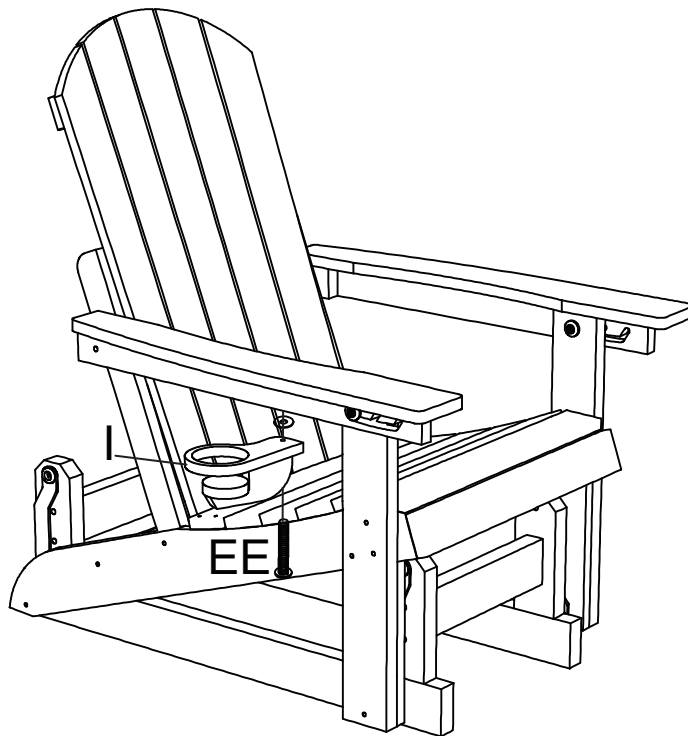
STEP 8

II		x2
JJ		x2
MM		x1
NN		x1



STEP 7

EE		x1
MM		x1



STEP 8

