













ASSEMBLY INSTRUCTIONS

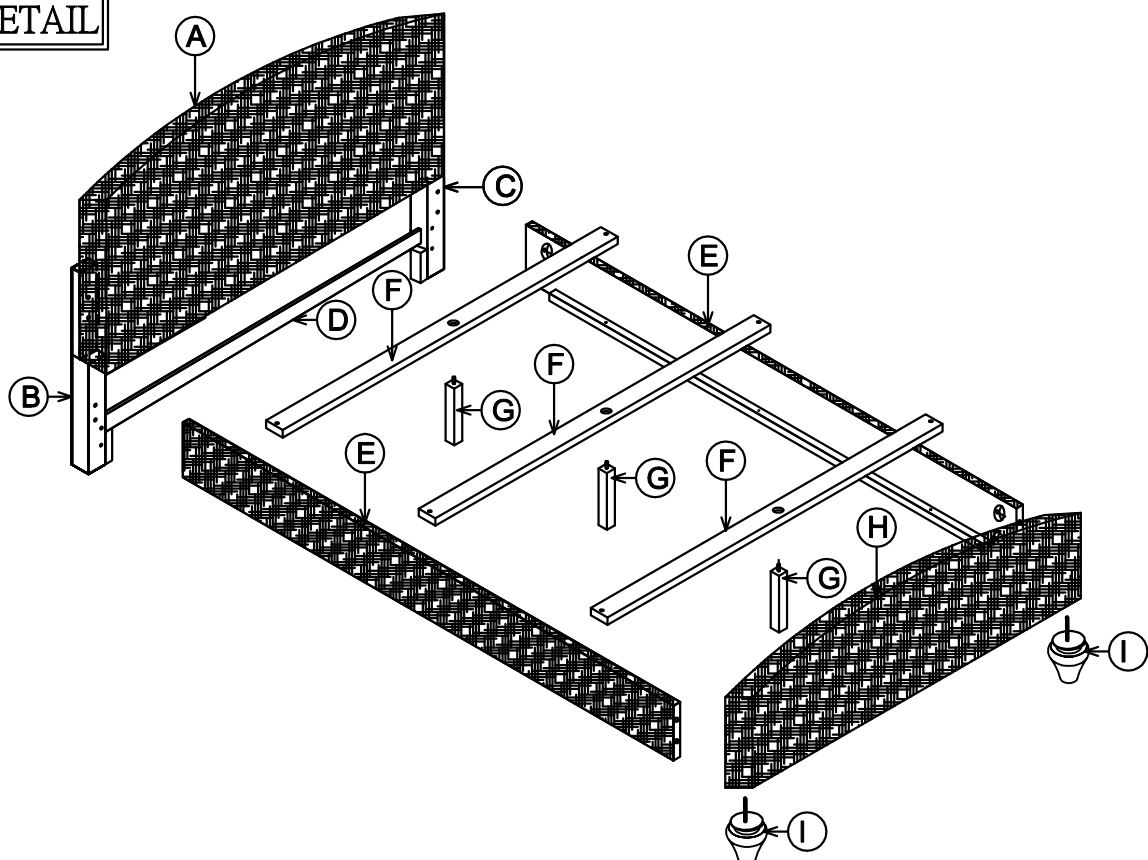
124-215 Woven Grey Queen Headboard
124-216 Woven Grey Queen Footboard
124-25R King /Queen Bed Rails

Thank you for purchasing this quality product. Be sure to check all packing material carefully for small parts, which may have come loose inside the carton during shipment. Identify and count all part and compare with the Hardware List below.

	No.	Description	Qty
Headboard	A	Headboard Panel	1 Pc
	B	Left Headboard Leg	1 Pc
	C	Right Headboard Leg	1 Pc
	D	Stretcher	1 Pc
Side Rails	E	Side Rails	2 Pc
Foot Board	F	Slat	3 Pc
	G	Slat Support	3 Pc
	H	Foot Board	1 Pc
	I	Bunfet	2 Pc

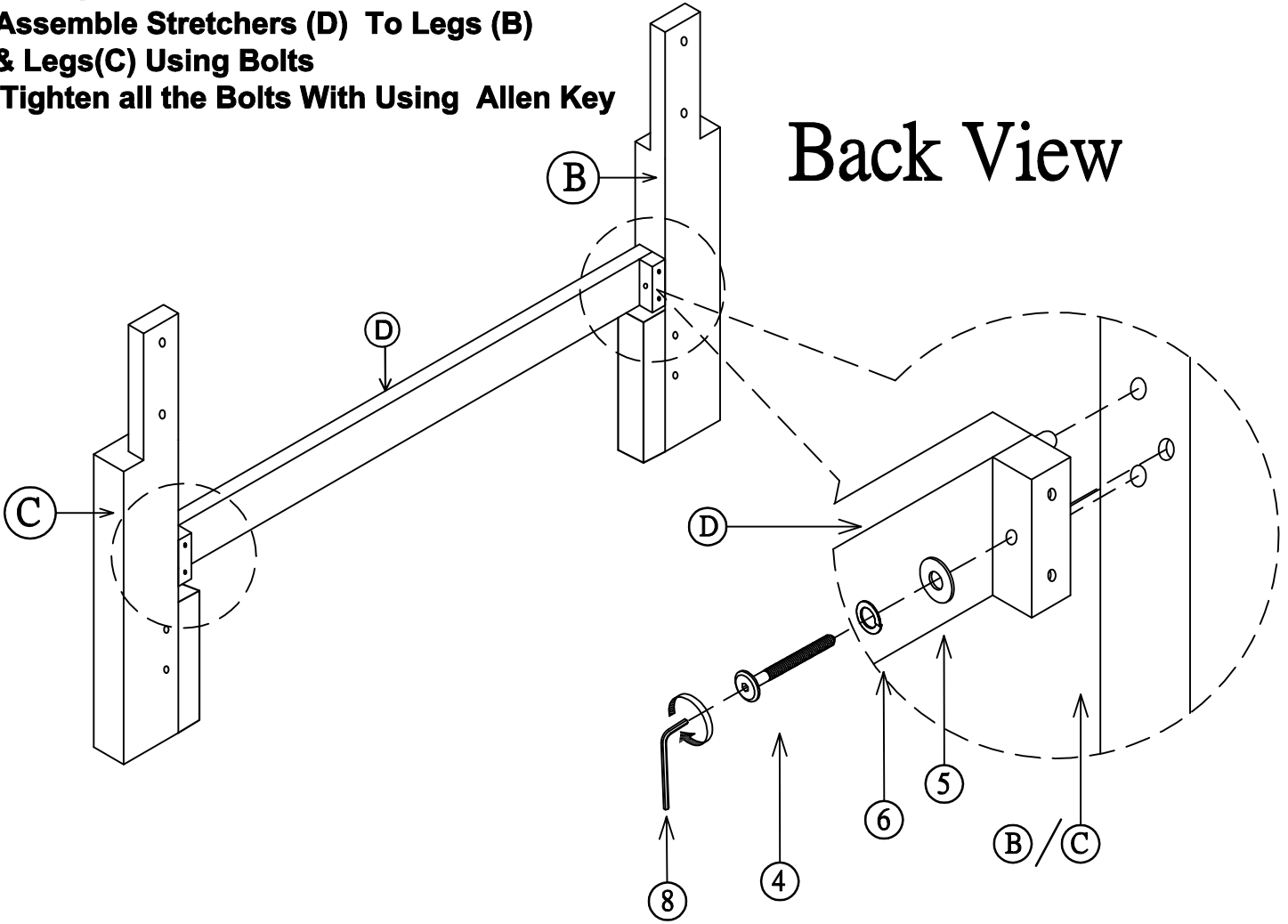
	No.	Picture	Description	Dimension	Qty
Hardware List	1		Bolt	M8 x 55 mm	4Pcs
	2		Thick Flat Washer	Ø18xØ8x2 mm	4Pcs
	3		Lock Washer	Ø13xØ8x1 mm	4Pcs
	4		Bolt	M6 x 40 mm	2Pcs
	5		Thick Flat Washer	Ø18xØ6x2 mm	2Pcs
	6		Lock Washer	Ø13xØ6x1 mm	2Pcs
	7		Screw	Jf 6x1 1/4"	6Pcs
	8		Allen Key	M4	1 Pc
	9		Long Bolts	M 8x 100	8Pcs
	10		Squer Washer	M 8x18x2	8Pcs
	11		Hexagonal Nut	M 8x15x12	8Pcs
	12		Wrench		1 Pcs

PART DETAIL



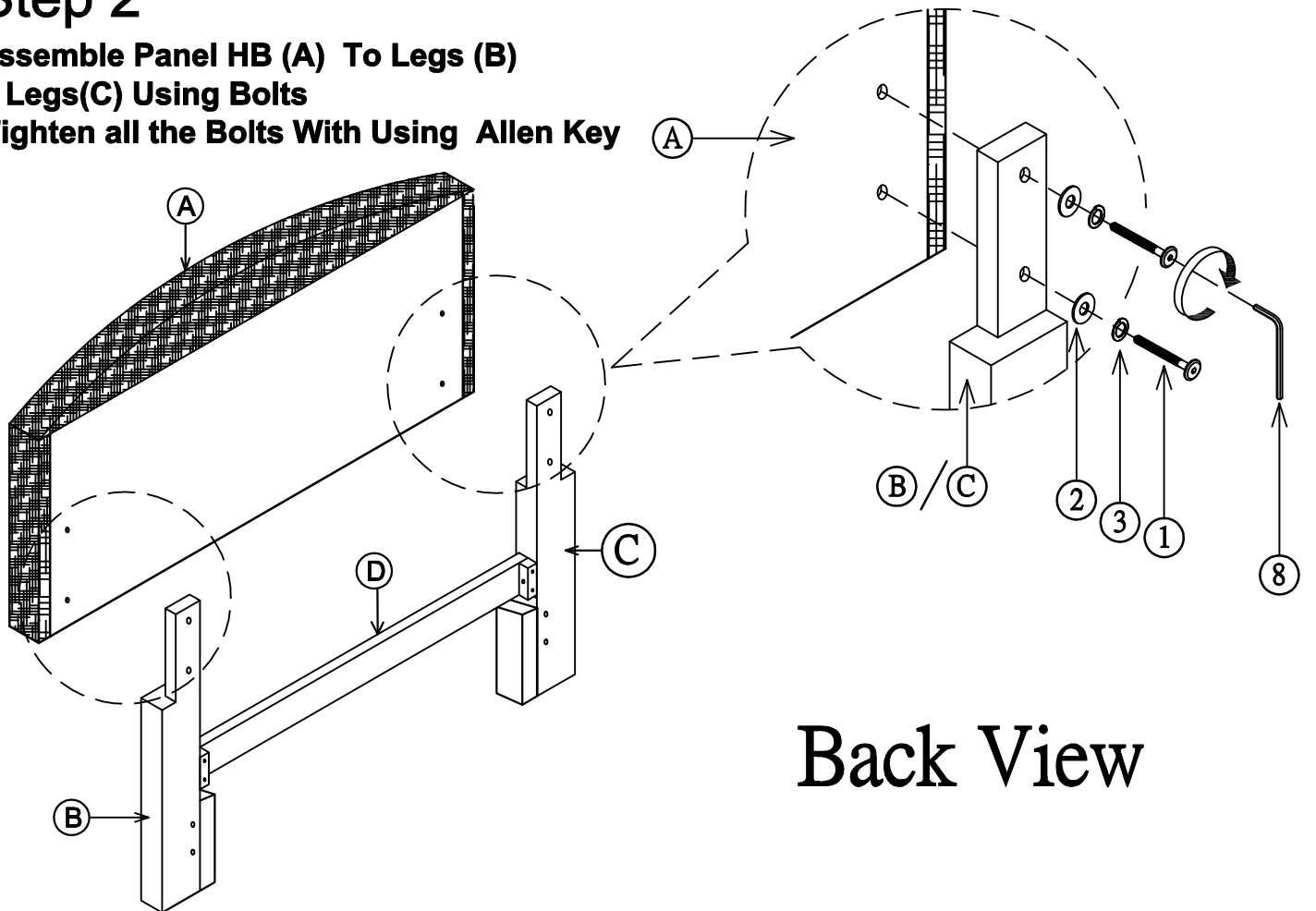
Step 1

Assemble Stretchers (D) To Legs (B) & Legs(C) Using Bolts
.Tighten all the Bolts With Using Allen Key



Step 2

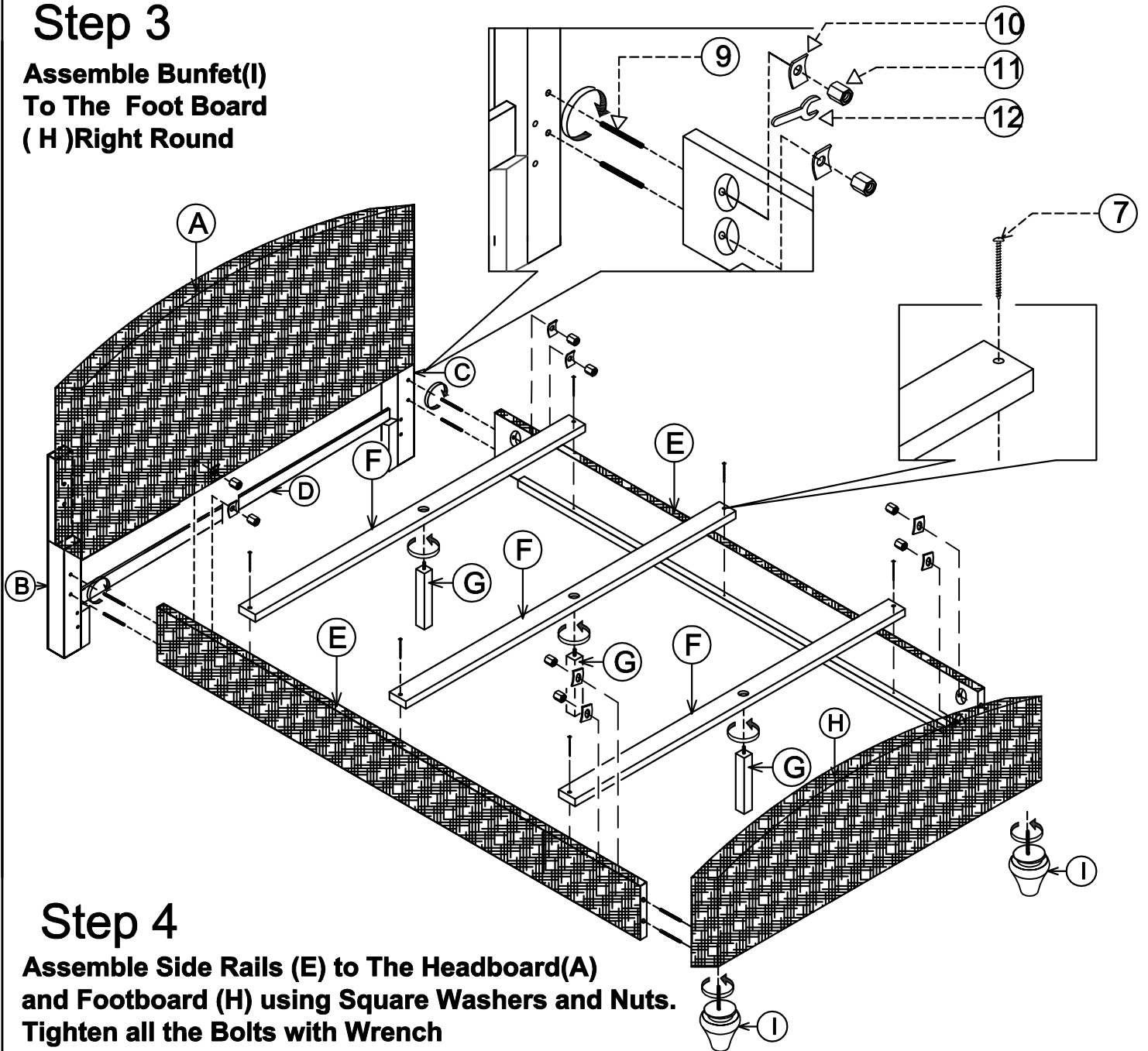
Assemble Panel HB (A) To Legs (B) & Legs(C) Using Bolts
.Tighten all the Bolts With Using Allen Key



Assembly Instructions

Step 3

Assemble Bunfet(I)
To The Foot Board
(H)Right Round



Step 4

Assemble Side Rails (E) to The Headboard(A)
and Footboard (H) using Square Washers and Nuts.
Tighten all the Bolts with Wrench

Full Set

