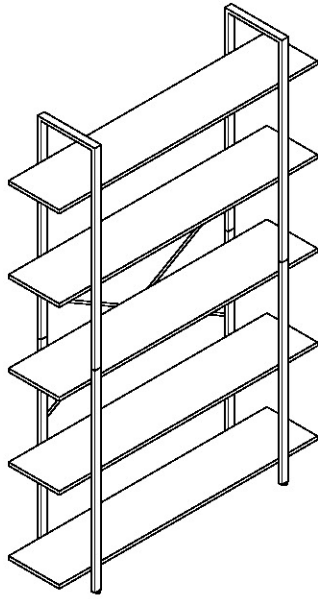
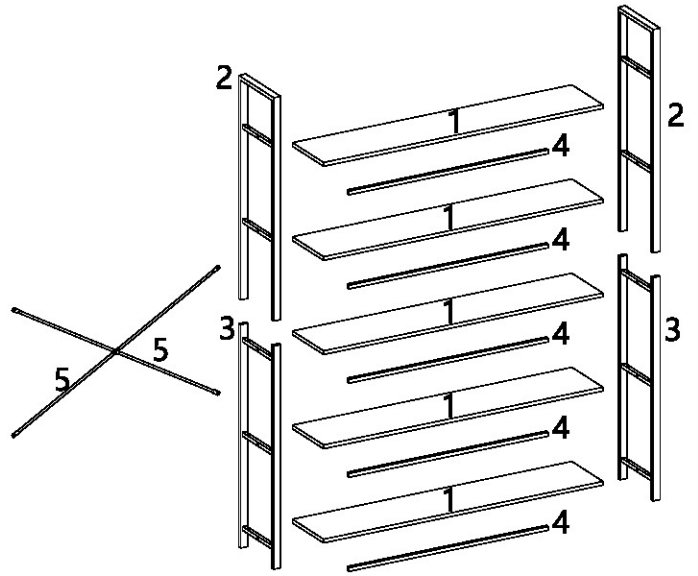


ASSEMBLY INSTRUCTION

The installation is complete



Decomposition of components



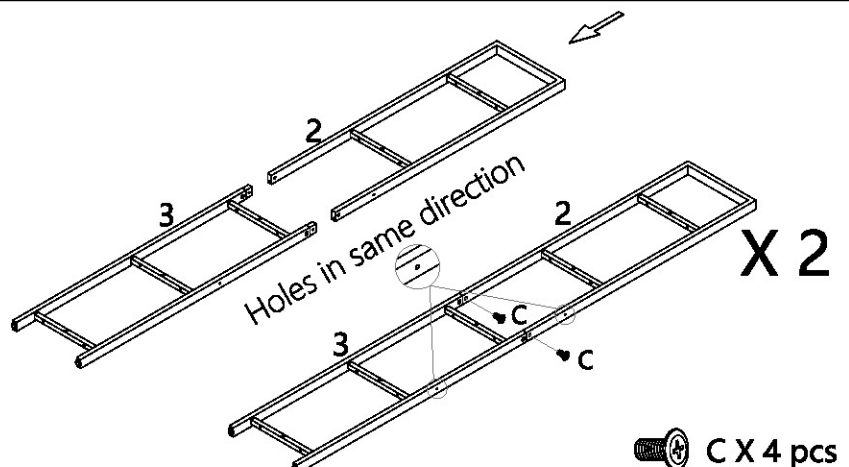
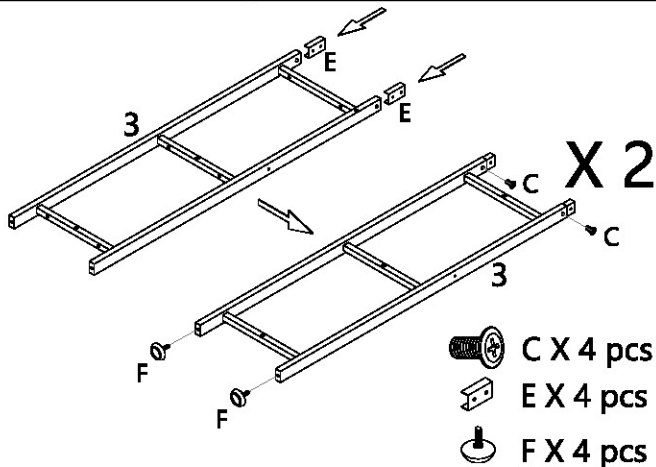
Please check the board number and number

<p>1</p> <p>5 pcs</p>	<p>2</p> <p>2 pcs</p>	<p>3</p> <p>2 pcs</p>	<p>4</p> <p>5 pcs</p>
<p>5</p> <p>2 pcs</p>	<p>6</p>	<p>7</p>	<p>8</p>

Please check the number and quantity

<p>A</p> <p>M6*30 10 pcs</p>	<p>B</p> <p>M6*25 20 pcs</p>	<p>C</p> <p>M6*10 5 pcs</p>	<p>D</p> <p>1 pc</p>	<p>E</p> <p>4 pcs</p>
<p>F</p> <p>4 pcs</p>	<p>G</p> <p>2 pcs</p>			

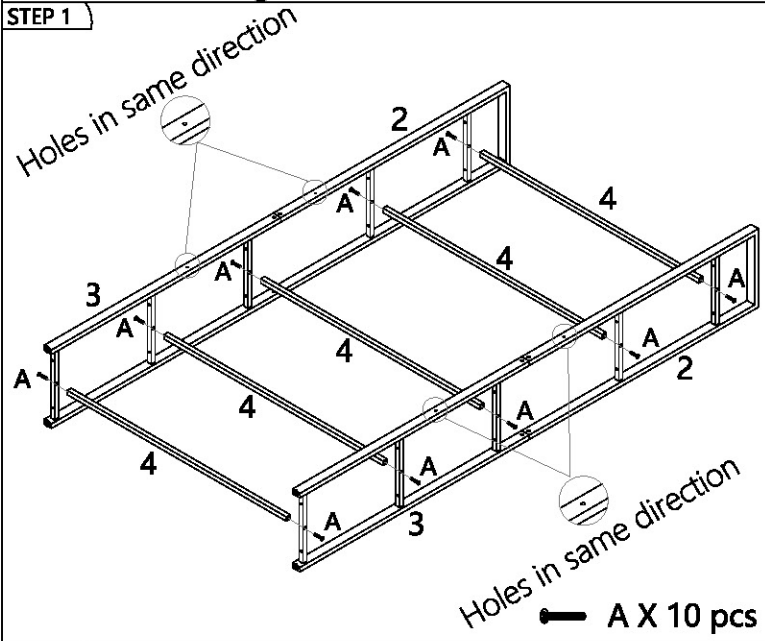
Start assembling furniture



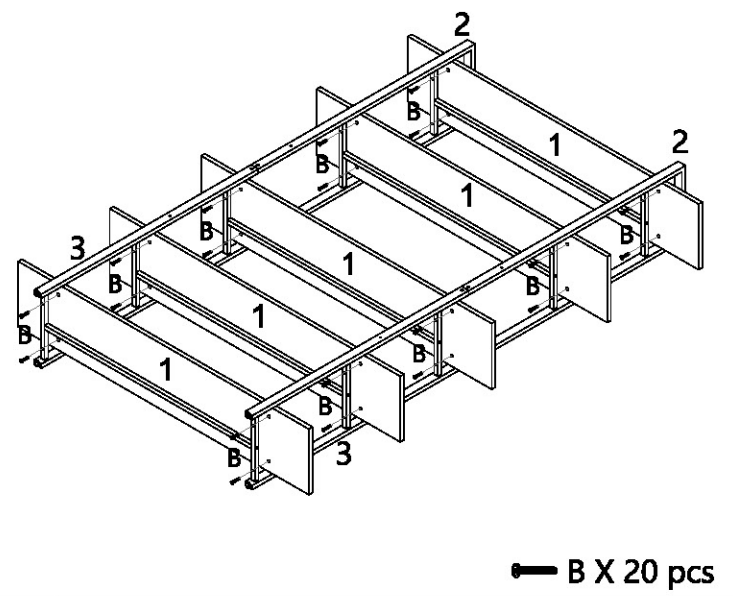
ASSEMBLY INSTRUCTION

Start assembling furniture

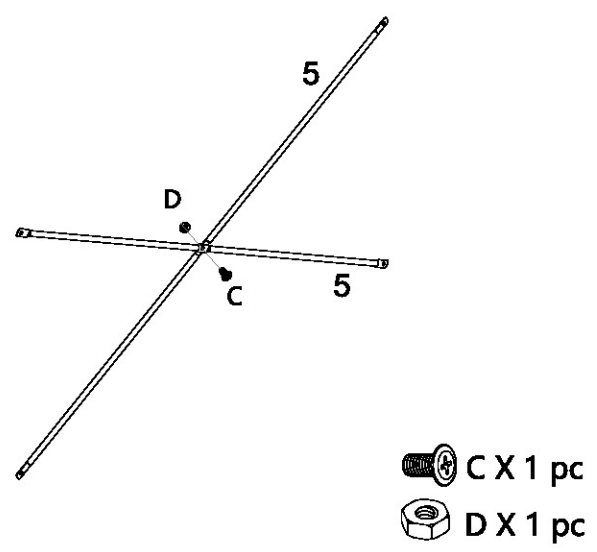
STEP 1



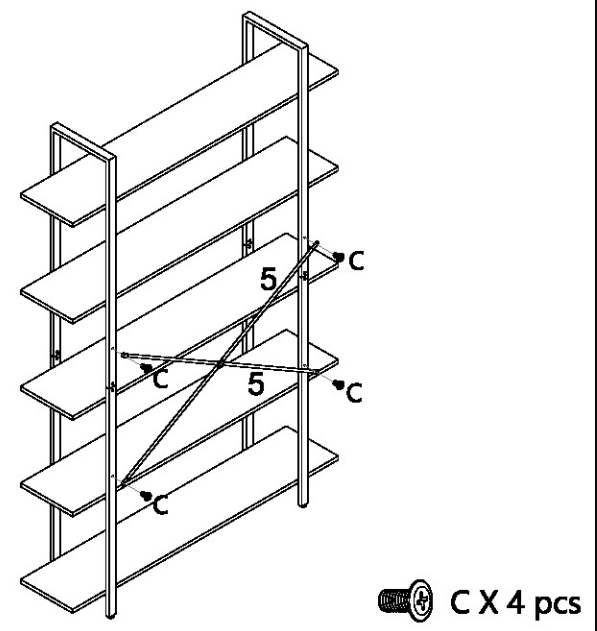
STEP 2



STEP 3



STEP 4



STEP 6

