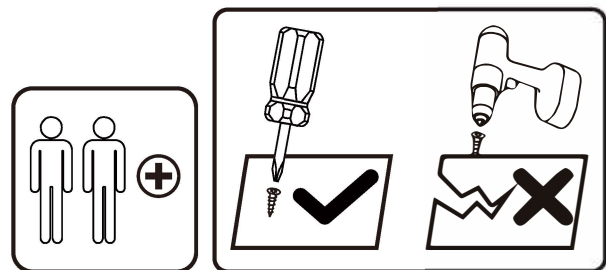
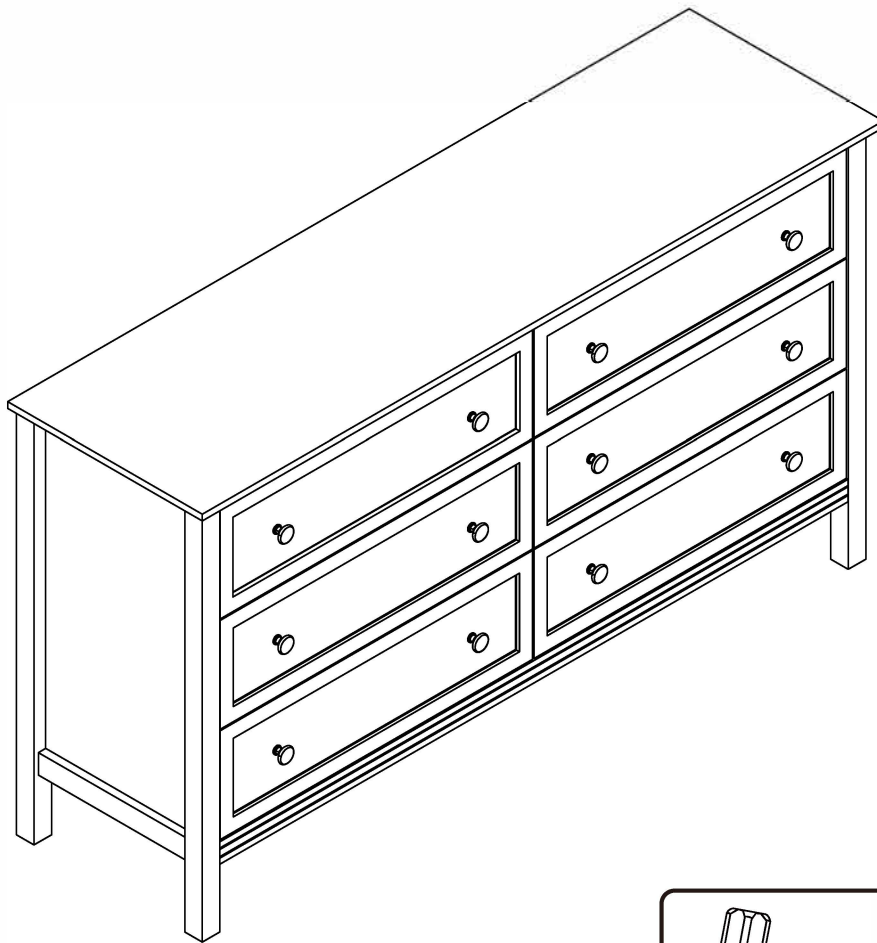


ASSEMBLY INSTRUCTIONS



Tools Recommended

THIS INSTRUCTIONS CONTAINS IMPORTANT SAFETY INFORMATION.
PLEASE READ BEFORE ASSEMBLY AND KEEP FOR FUTURE REFERENCE.

IMPORTANT NOTICE

- This product contains small components, please ensure that they are kept away from small children.
- THIS INSTRUCTIONS CONTAINS IMPORTANT SAFETY INFORMATION. PLEASE READ BEFORE ASSEMBLY AND KEEP FOR FUTURE REFERENCE.
- Read each step carefully. It is very important that each step of instruction is performed in the correct order. If these steps are not followed in sequence, assembly difficulties will occur.
- Make sure all parts are included. Most parts are labelled or stamped on the raw edge.
- Work in spacious area, preferably on a carpet, near the place the unit will be used.
- Do not use power tools to assemble your furniture. Power tools may strip or damage the parts.
- Move your new furniture carefully, with two people lift and carry the unit to it's new location.
- Never push, drag or pull your furniture (especially on carpet)



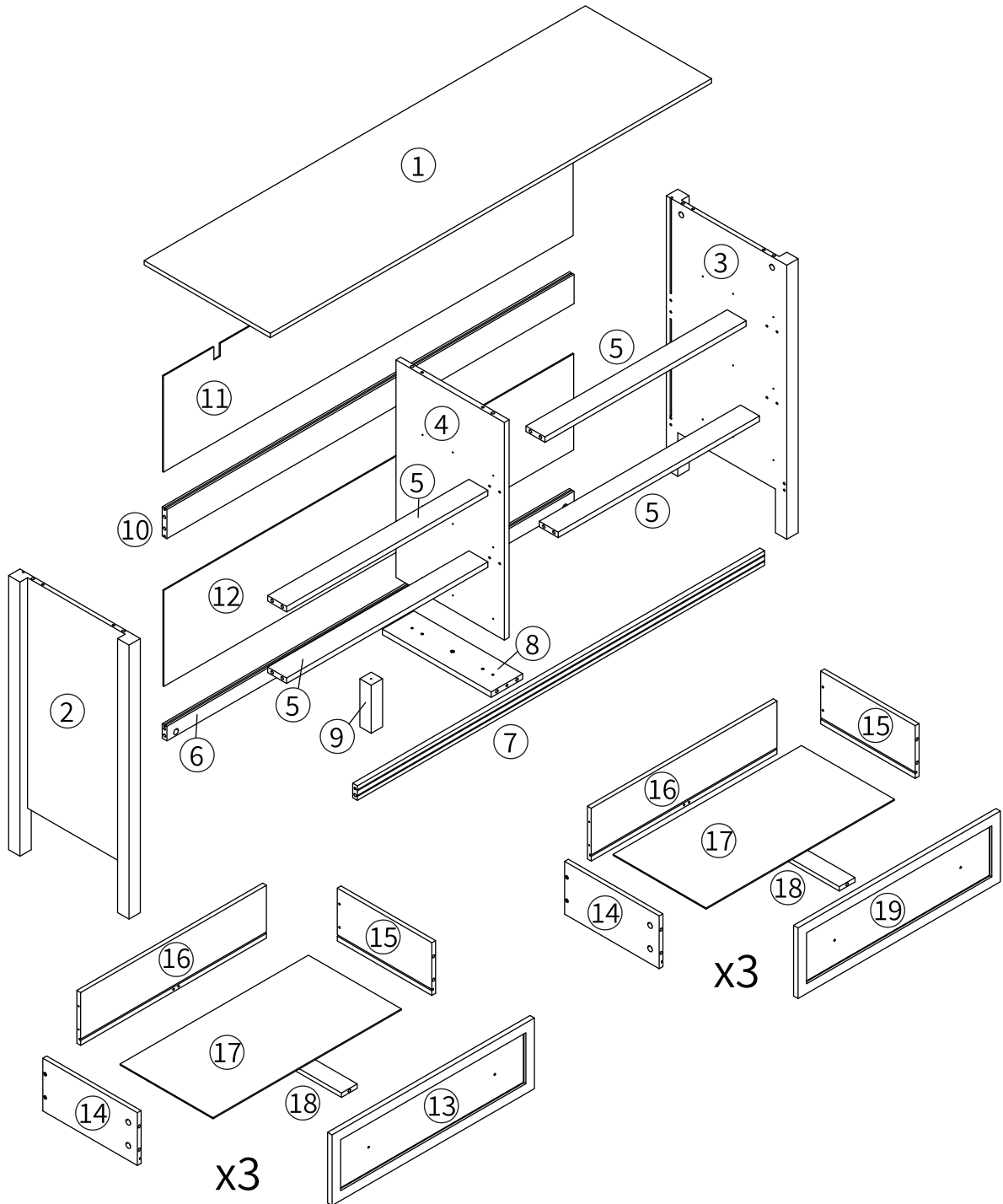
PLEASE DO NOT RETURN PRODUCT TO US IMMEDIATELY











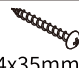



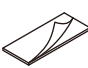





If a part is missing or damaged, email our customer service. We will gladly ship your replacement parts FREE of charge.

For Prompt, reliable service, please have your assemble instruction ready

 WARNING	
	Children have died from furniture tipover. To reduce the risk of furniture tipover: <ul style="list-style-type: none">• ALWAYS install anti-tip device provided.• NEVER put a TV on this product.• NEVER allow children to stand, climb or hang on any drawers, doors, or shelves.• NEVER open more than one drawer at a time.• Place heaviest items in the lowest drawers.
	<p><i>This is a permanent label. Do not remove!</i></p>

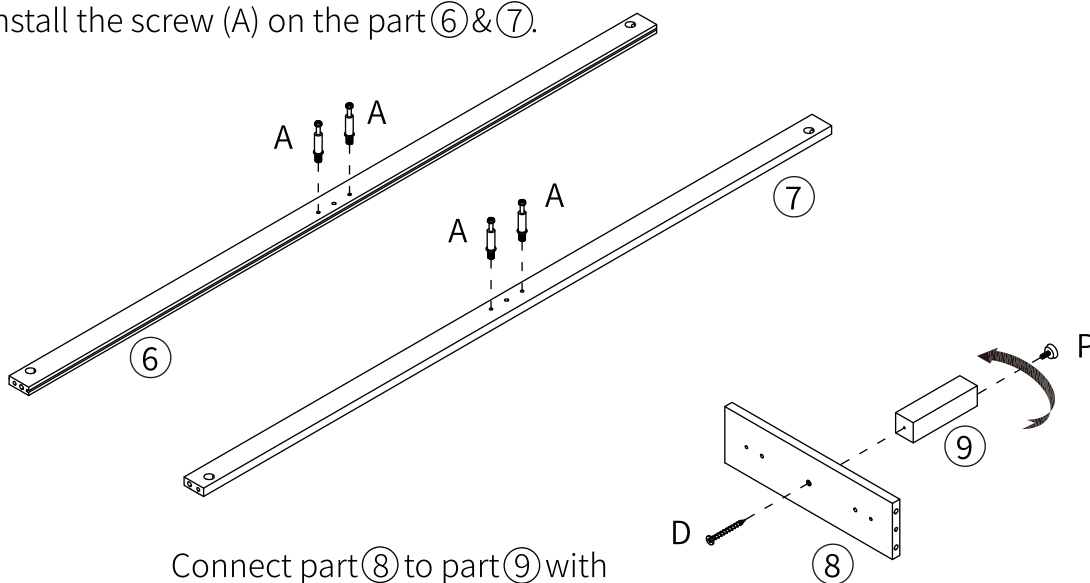
The installation direction should be aligned with the instructions to prevent plate breakage caused by product tipping during installation.






A x64  6x35mm	B x64 	C x14  6x30mm	D x4  4x40mm	E x12 	F x12  4x16mm	G x20  3x14mm
H x20 	I x2 	J x2  4x14mm	K x2  4x35mm	L x2 	M x36  4x30mm	N x72  3.5x12mm
O x4 	P x1 	CL x6 	CR x6 	DL x6 	DR x6 	

Step 1

Install the screw (A) on the part ⑥ & ⑦.

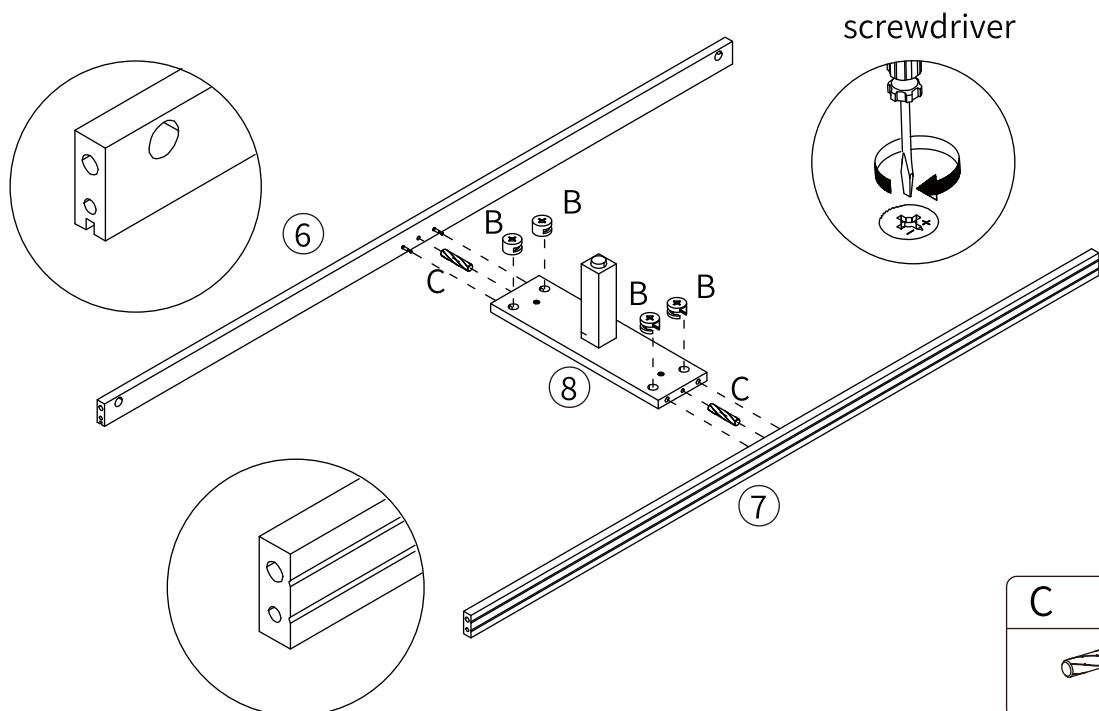




Connect part ⑧ to part ⑨ with screw (D), connect tack glide (P) to part ⑨ in clockwise to tighten.

D x1	P x1	A x4
		

Step 2

Insert wooden dowel (C) into part ⑧, then connect part ⑥ & ⑦ to part ⑧. Insert cam lock (B) into the corresponding holes on part ⑧ and use a screwdriver to turn it clockwise to tighten, the installation position is as shown.

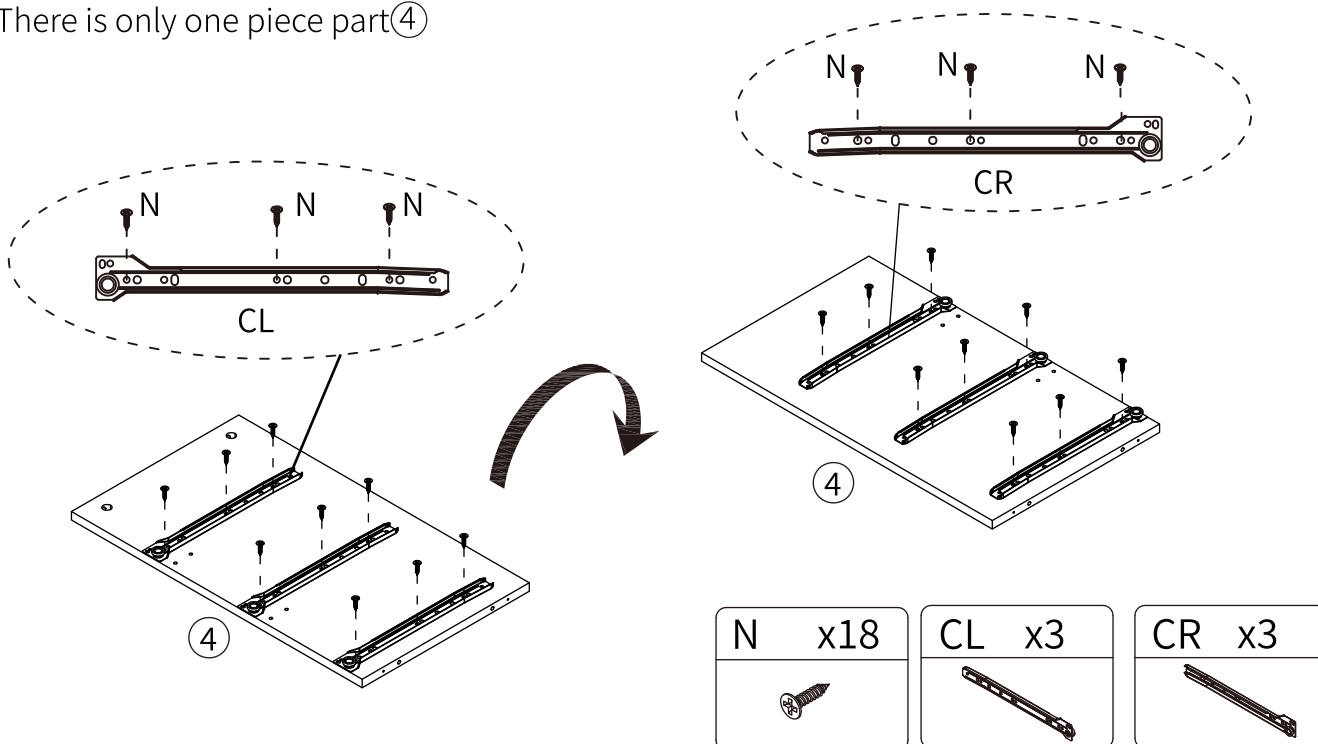


C x2	B x4
	

Step 3

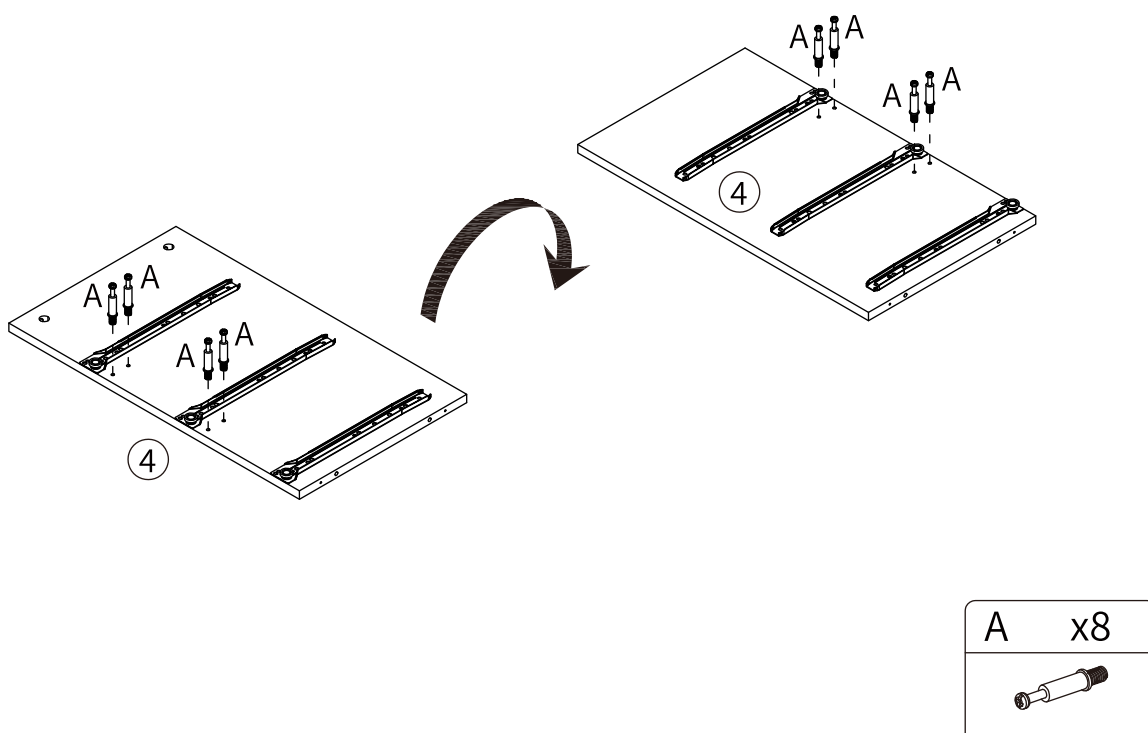
Firstly lock the guide rail (CL) to the right side of the part ④ with screw (N), then turn it 180 degrees and lock the guide rail (CR) to the left side of the part ④ with the screw (N), the installation position is as shown.

There is only one piece part ④



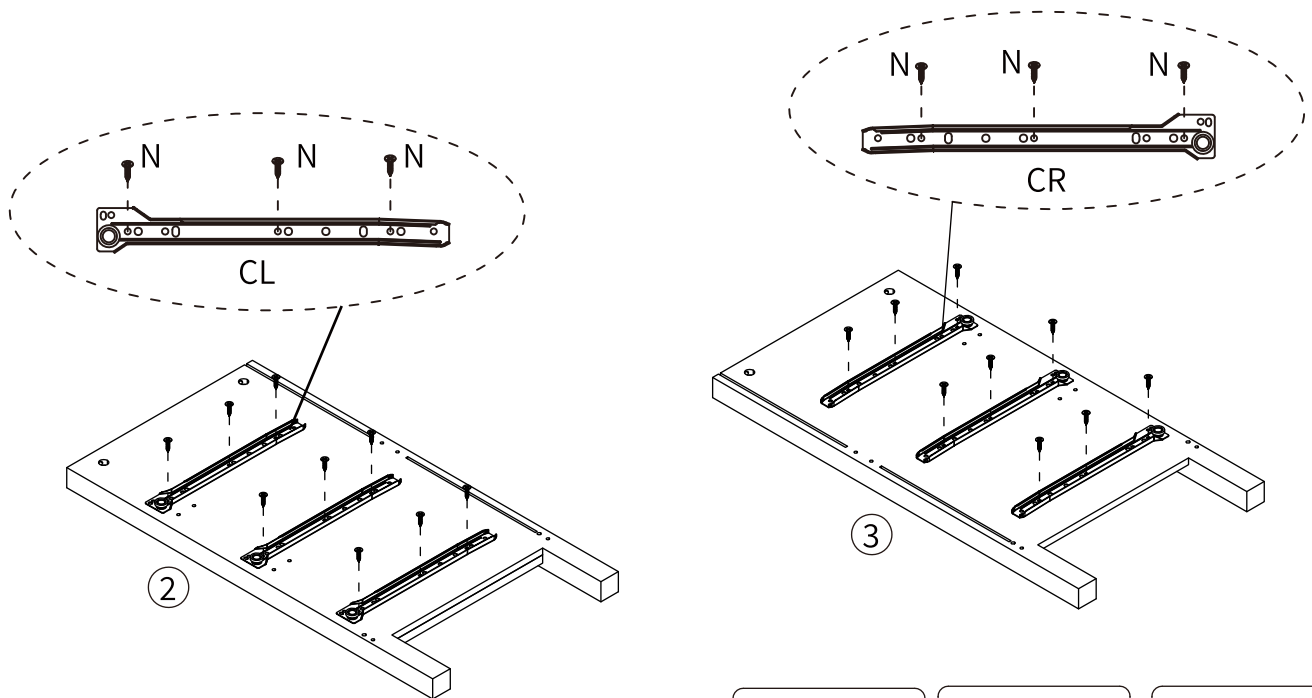
Step 4




Install screw (A) on the left and right sides of part ④, the installation position is as shown.



Step 5

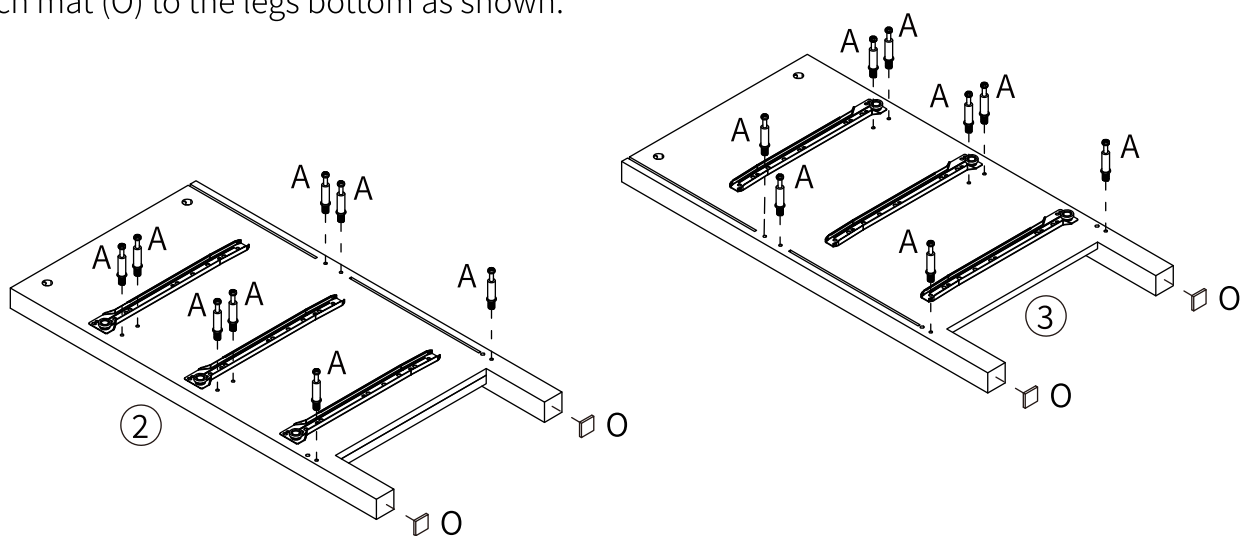
Lock the guide rail (CL) on part ② with screw (N), lock the guide rail (CR) on part ③ with screw (N).





N x18	CL x3	CR x3
		

Step 6

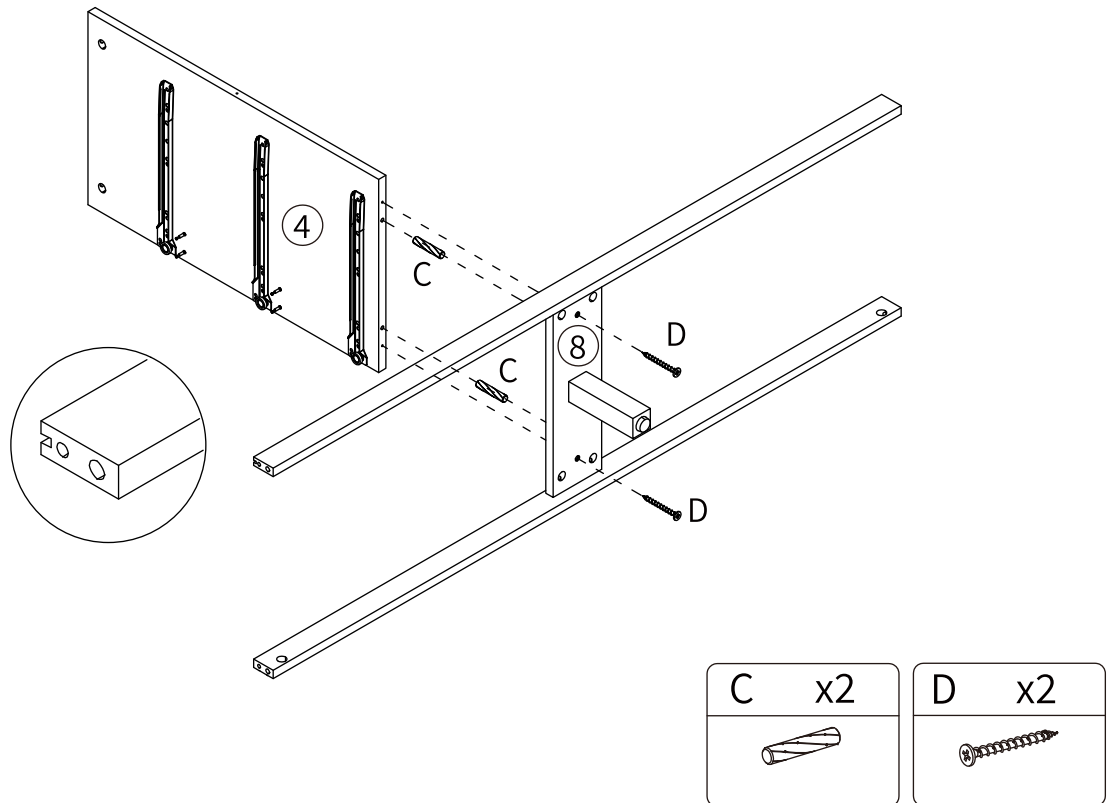
Insert screw (A) into corresponding holes on part ② & ③, then attach mat (O) to the legs bottom as shown.



O x4	A x16
	

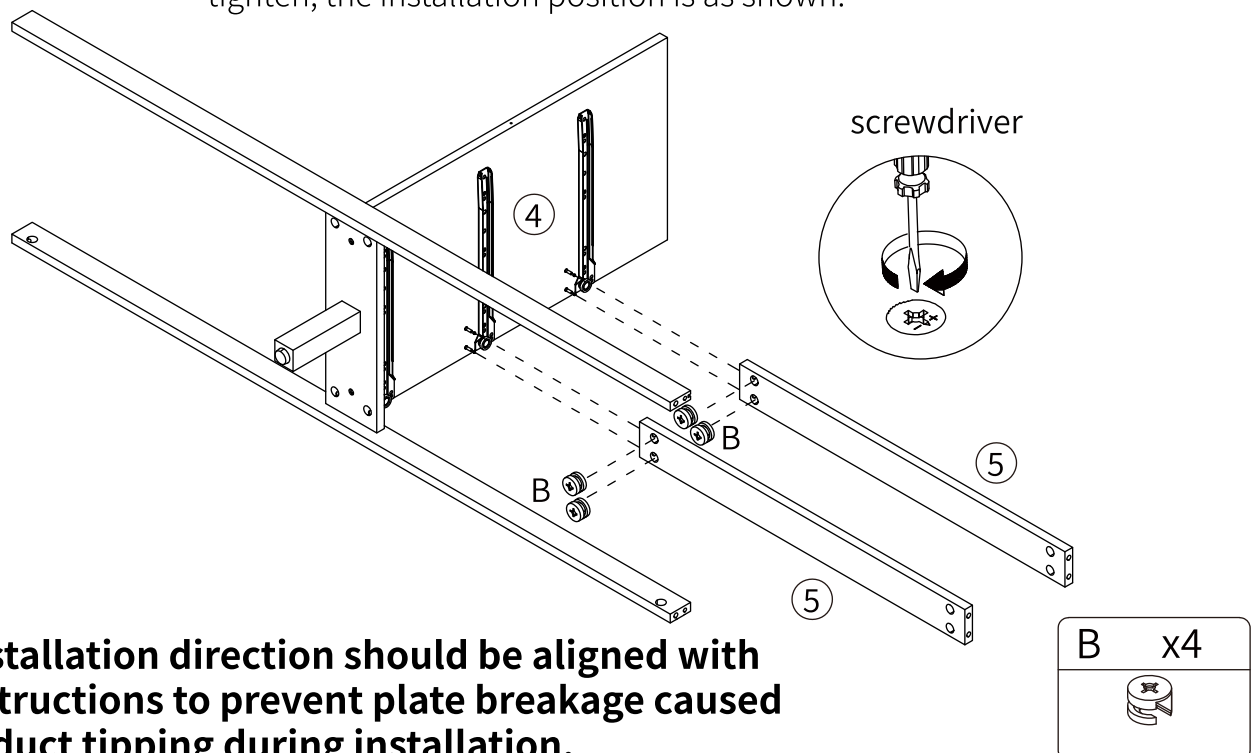
Step 7

Insert wooden dowel (C) into part ④, then connect part ④ to part ⑧ by screw (D), the installation position is as shown.



Step 8

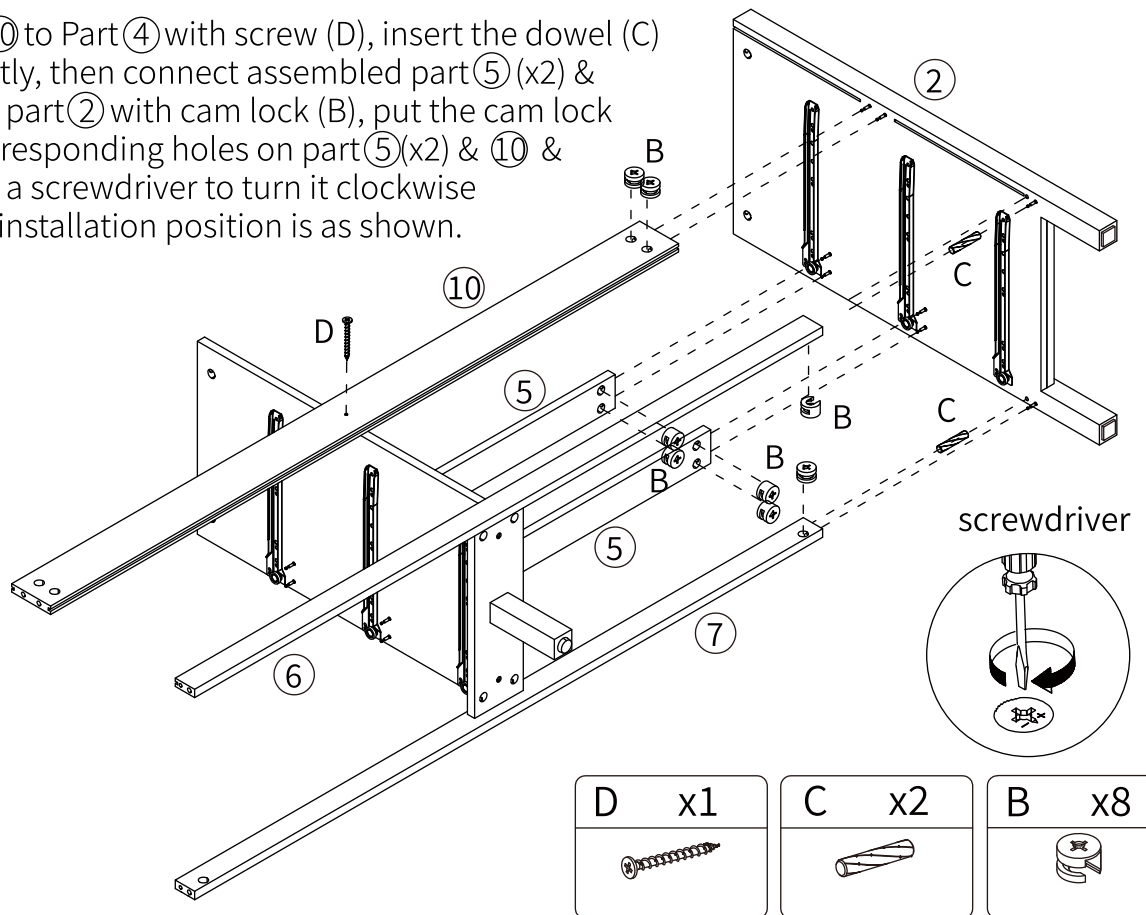
Connect part ⑤ (x2) to part ④ with cam lock (B), insert cam lock (B) into the corresponding holes on part ⑤ (x2) and use a screwdriver to turn it clockwise to tighten, the installation position is as shown.



The installation direction should be aligned with the instructions to prevent plate breakage caused by product tipping during installation.

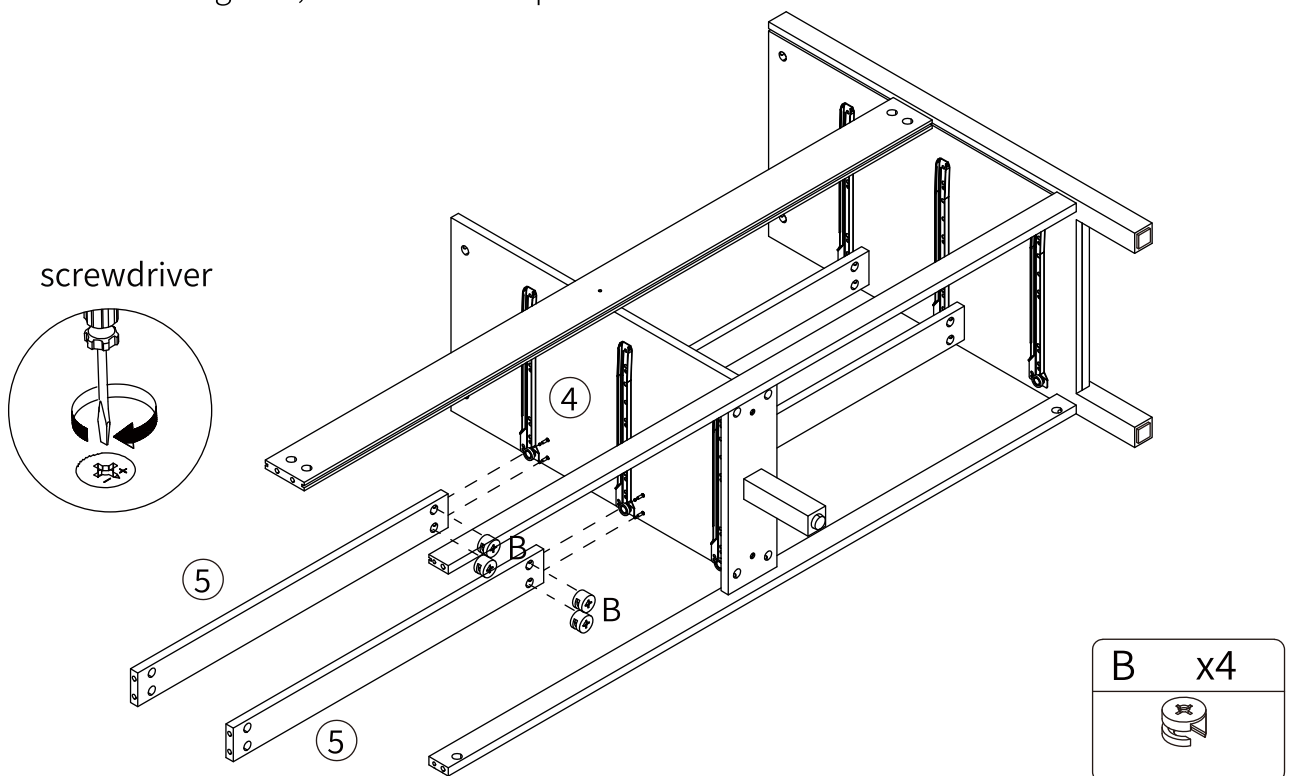
Step 9

Connect part ⑩ to Part ④ with screw (D), insert the dowel (C) into part ② firstly, then connect assembled part ⑤ (x2) & ⑩ & ⑥ & ⑦ to part ② with cam lock (B), put the cam lock (B) into the corresponding holes on part ⑤ (x2) & ⑩ & ⑥ & ⑦ and use a screwdriver to turn it clockwise to tighten, the installation position is as shown.



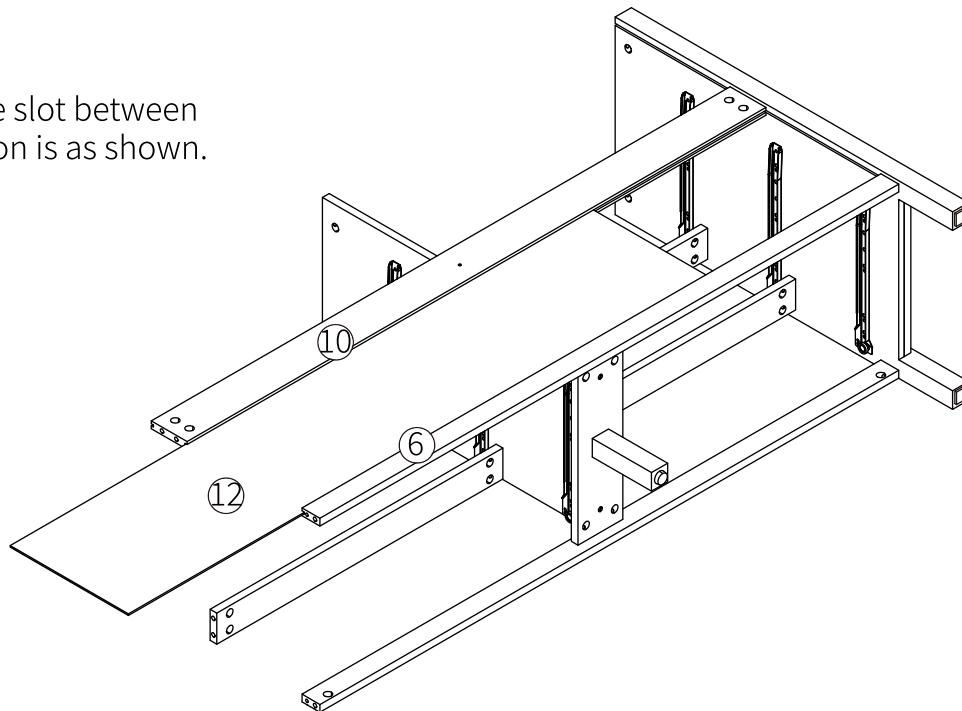
Step 10

Connect part ⑤ (x2) to part ④ with cam lock (B), put the cam lock (B) into the corresponding holes on part ⑤ (x2) and use a screwdriver to turn it clockwise to tighten, the installation position is as shown.



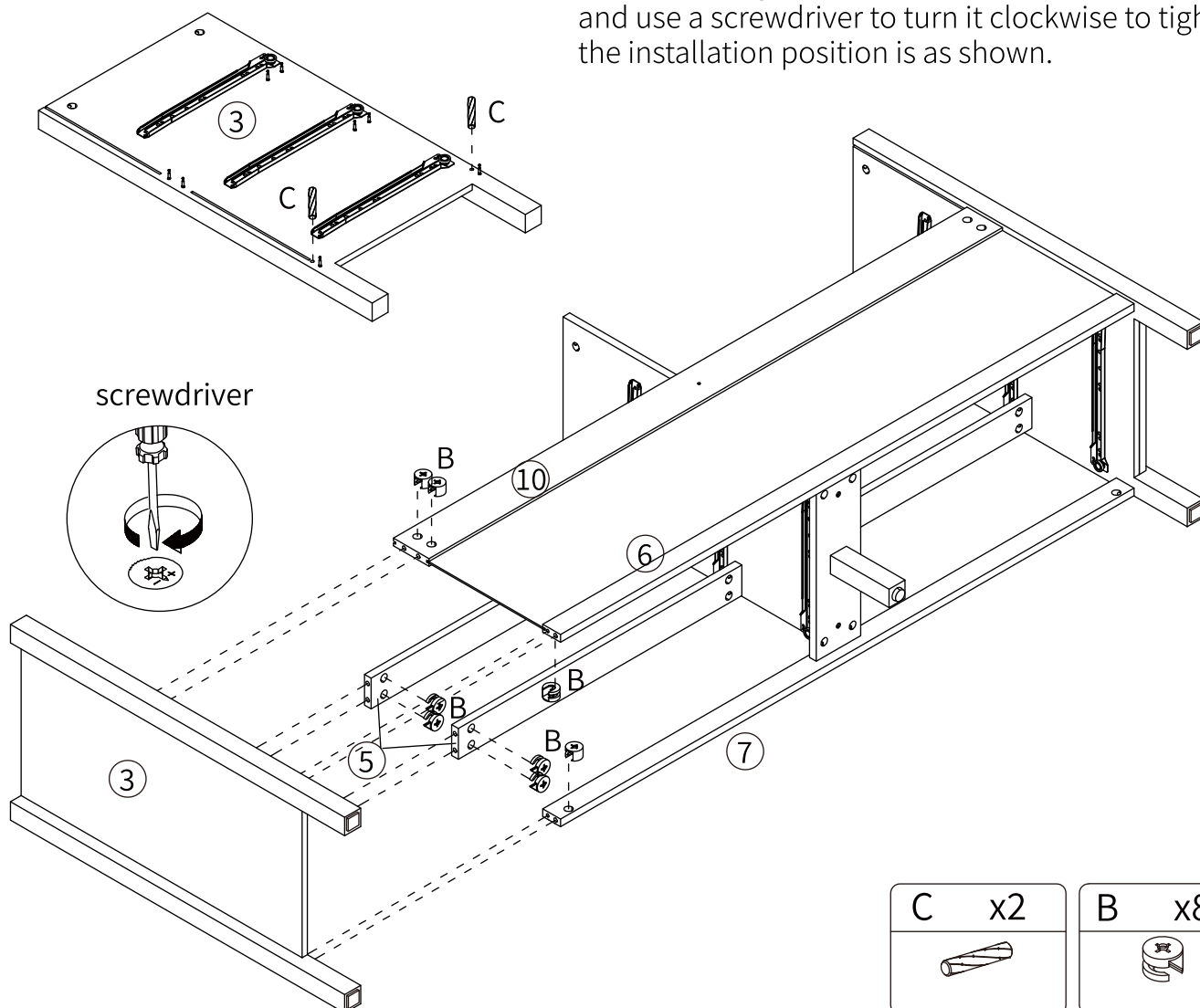
Step 11

Insert part ⑫ along the slot between part ⑥ & ⑩, the position is as shown.



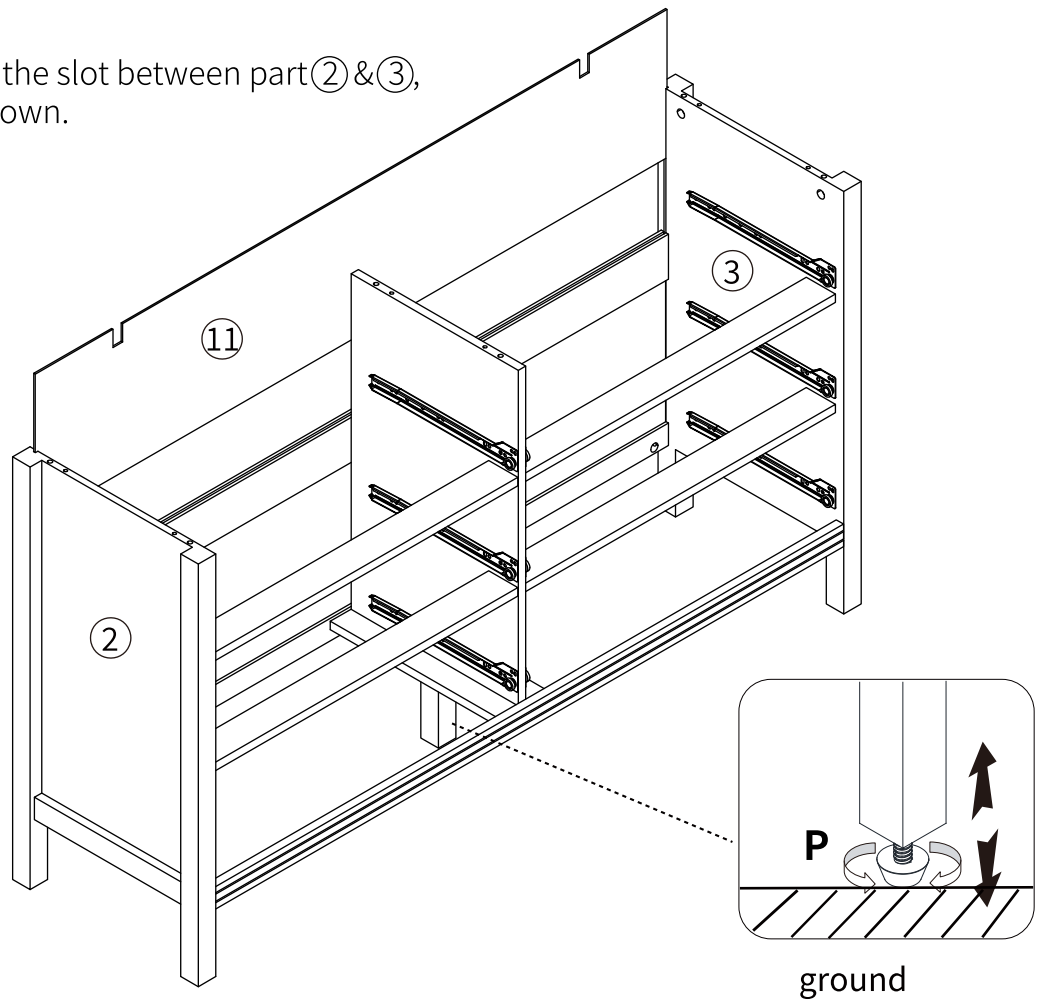
Step 12

Insert the dowel (C) into part ③ firstly, then connect assembled part ⑤(x2) & ⑩ & ⑥ & ⑦ to part ③ with cam lock (B), put the cam lock (B) into the corresponding holes on part ⑤(x2) & ⑩ & ⑥ & ⑦ and use a screwdriver to turn it clockwise to tighten, the installation position is as shown.



Step 13

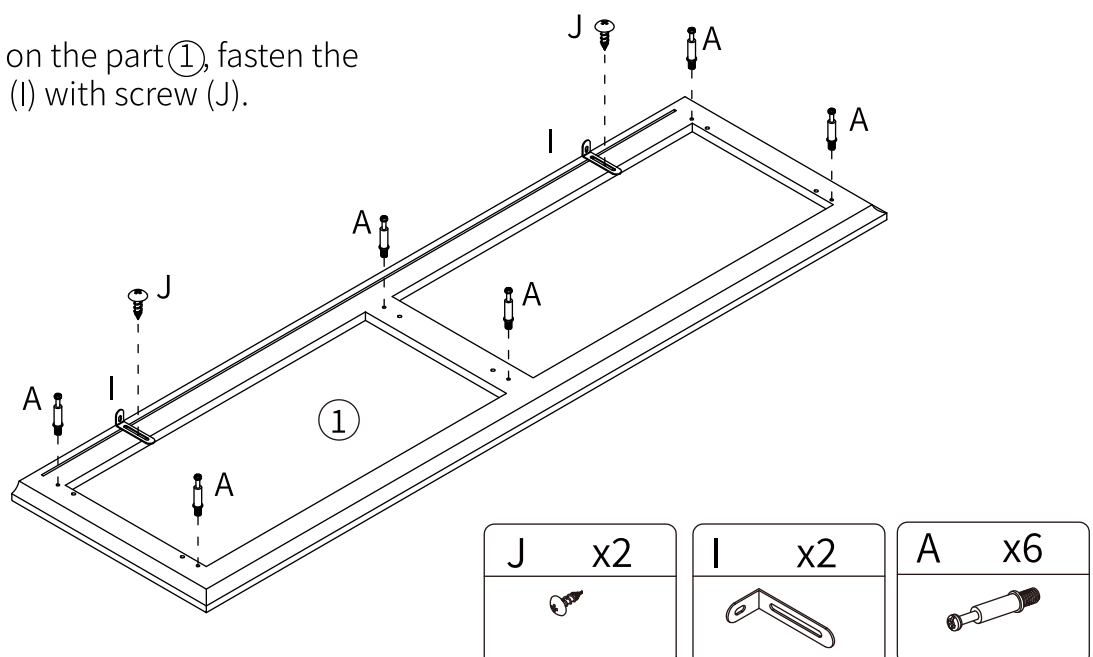
Insert part ① along the slot between part ② & ③, the position is as shown.



Adjusting the pad(P) on the middle leg, please ensure that it is firmly grounded to prevent any potential dresser collapse caused by hanging.

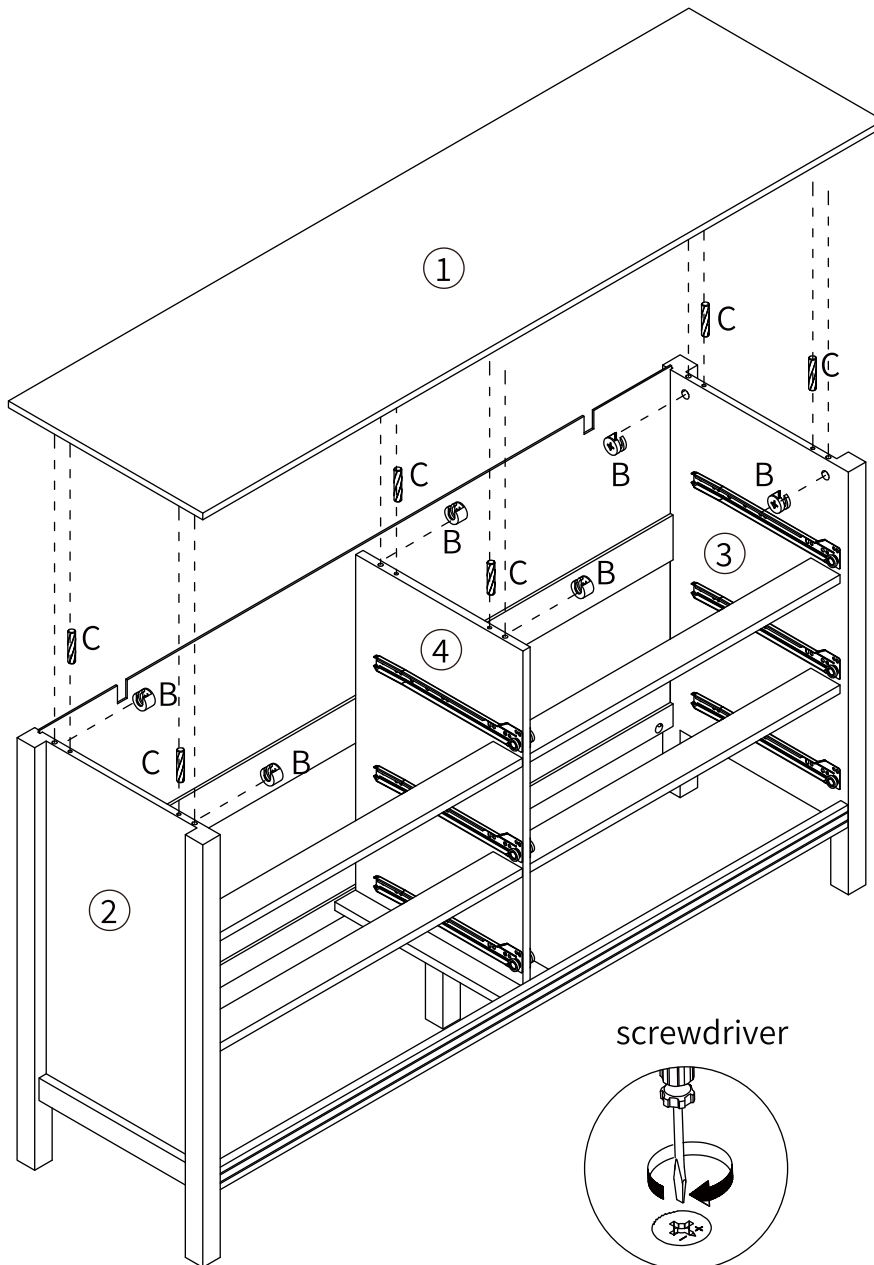
Step 14

Install the screw (A) on the part ①, fasten the L-shaped iron piece (I) with screw (J).



Step 15

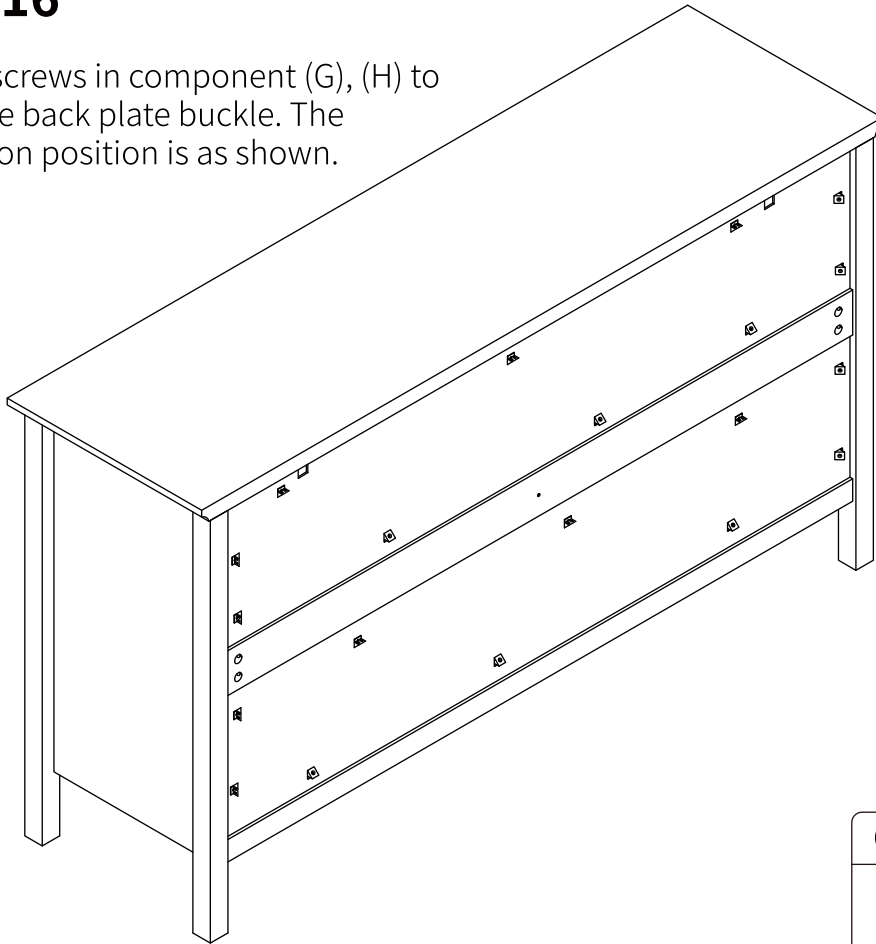
Insert the dowel (C) on part ② & ③ & ④, then connect assembled parts ② & ③ & ④ to part ① with cam lock (B), put the cam lock (B) into the corresponding holes on part ② & ③ & ④ and use a screwdriver to turn it clockwise to tighten, the installation position is as shown.





C x6	B x6

Step 16

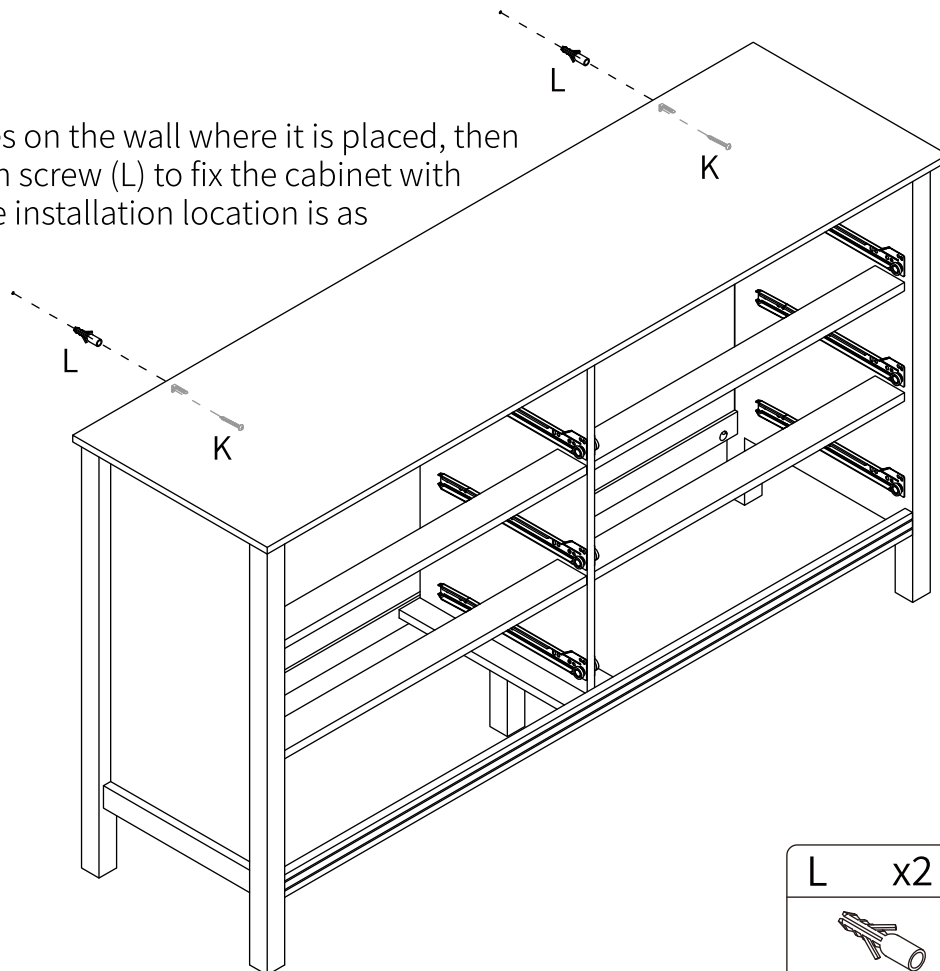
Use the screws in component (G), (H) to fasten the back plate buckle. The installation position is as shown.





G x20	H x20
	

Step 17

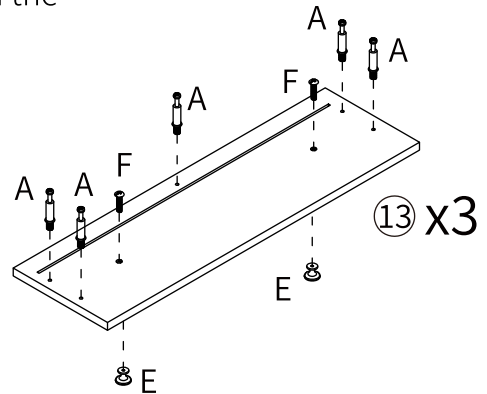
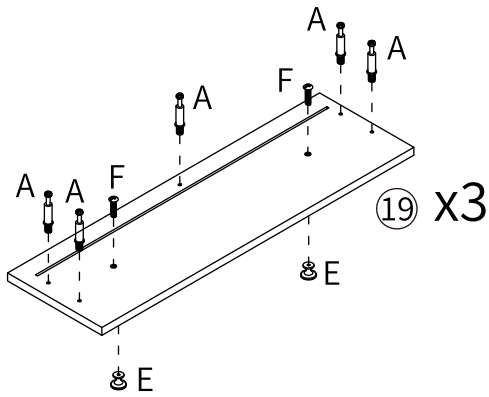
First drill holes on the wall where it is placed, then use expansion screw (L) to fix the cabinet with screw (K). The installation location is as shown.



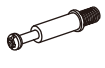


L x2	K x2
	

Step 18

Install the screw (A) on the drawer panels ⑱ (x3) & ⑬ (x3) firstly, then use the screw (F) to lock the handle (E) on the drawer panels ⑱ (x3) & ⑬ (x3).

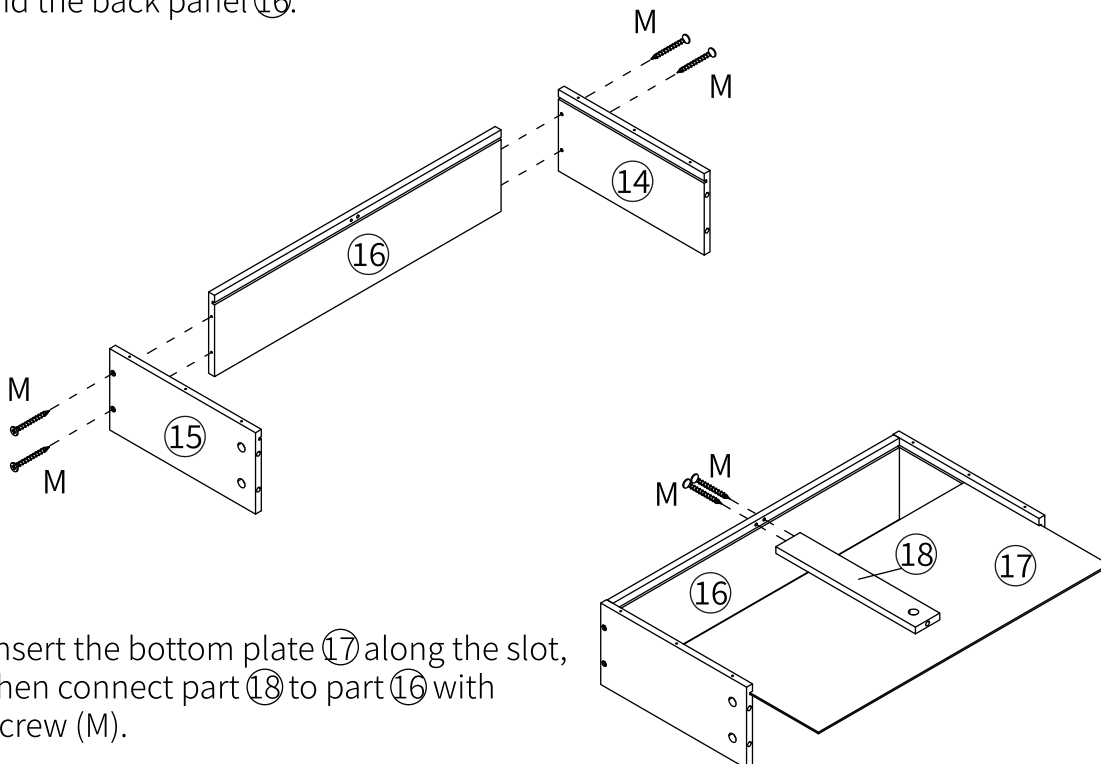


E x12	F x12	A x30
		


Step 19

x6

Use the screw (M) to connect the side panels ⑭ & ⑮ and the back panel ⑯.



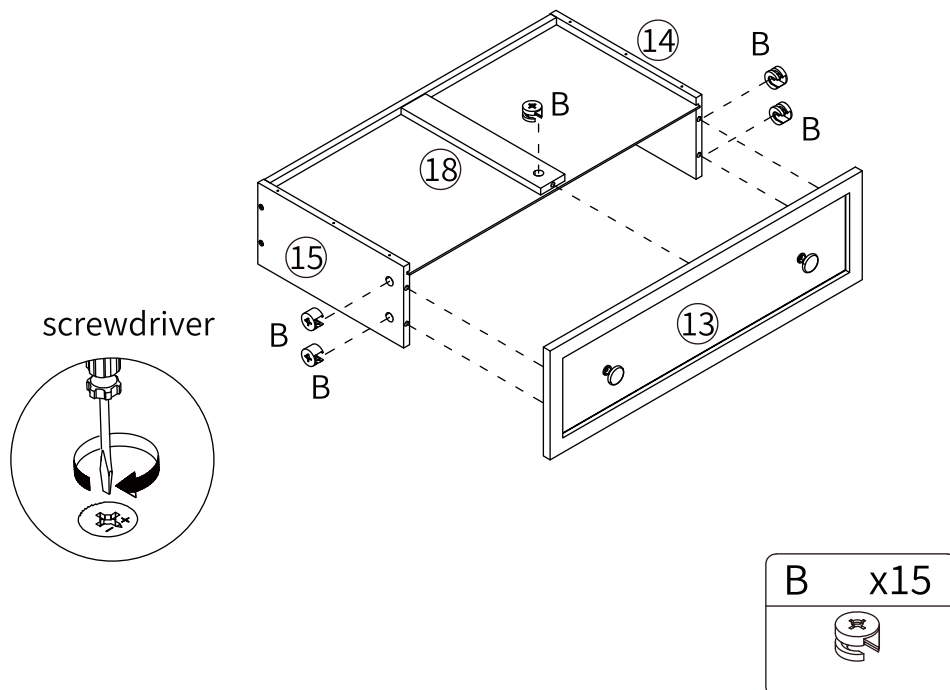
Insert the bottom plate ⑰ along the slot, then connect part ⑱ to part ⑮ with screw (M).

M x30


Step 20

x3

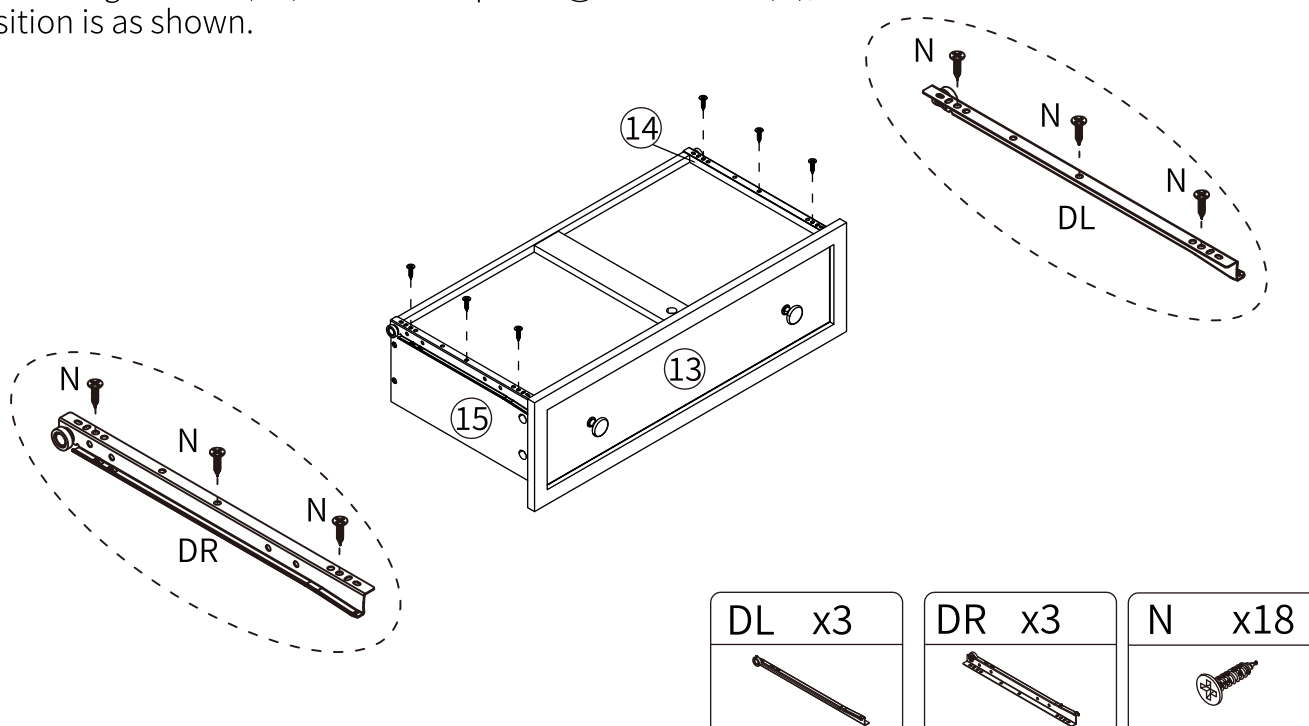
Put the cam lock (B) into the corresponding holes on part ⑭ & ⑮ & ⑱ and use a screwdriver to turn clockwise to tighten, assemble the drawer front plate ⑬ to the drawer.



Step 21

x3

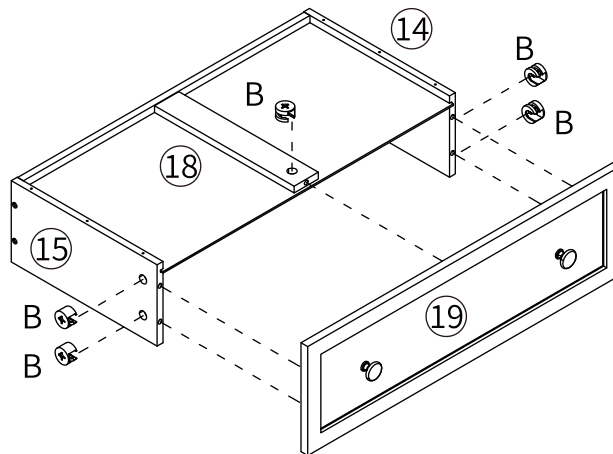
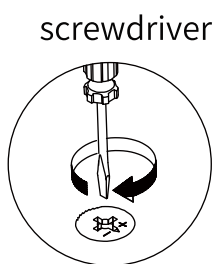
Use the screw (N) to install the guide rail (DR) on the side panel ⑮ and install the guide rail (DL) on the side panel ⑭ with screw (N), the installation position is as shown.



Step 22

x3

Put the cam lock (B) into the corresponding holes on part ⑭ & ⑮ & ⑱ and use a screwdriver to turn clockwise to tighten, assemble the drawer front plate ⑲ to the drawer.

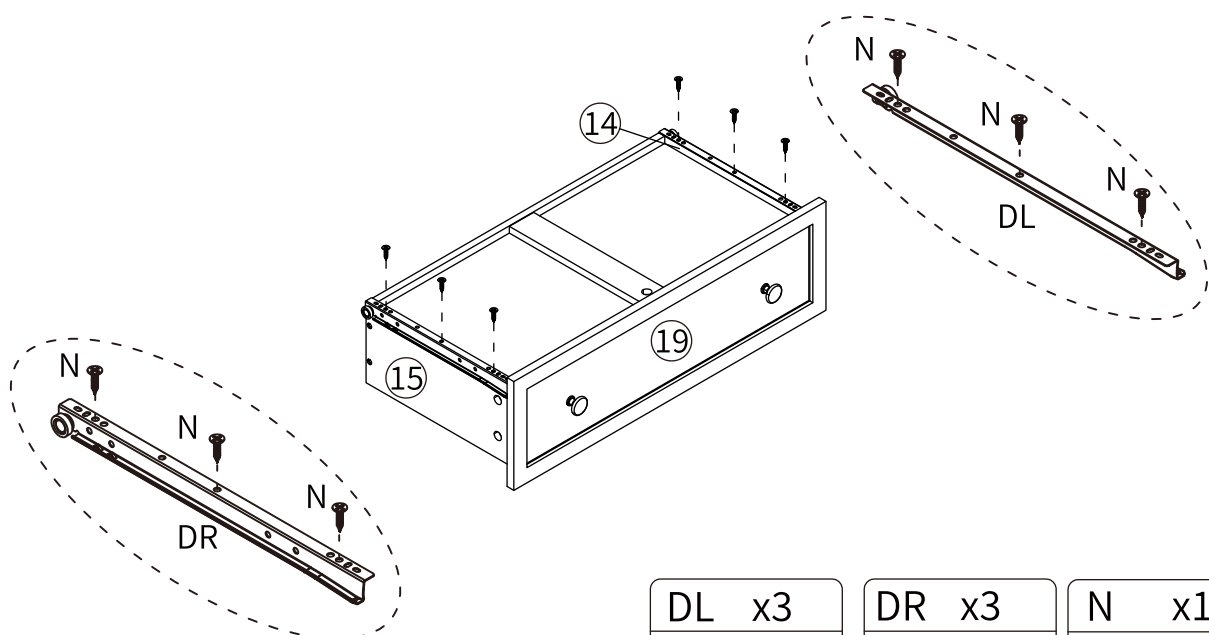


B x15



Step 23

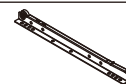
Use the screw (N) to install the guide rail (DR) on the side panel ⑮ and install the guide rail (DL) on the side panel ⑭ with screw (N), the installation position is as shown.



DL x3



DR x3



N x18



Step 24

Install the ⑬ (x3) drawer into the left drawer spaces, and the ⑰ (x3) drawer into the right drawer spaces, the installation position is as shown.

