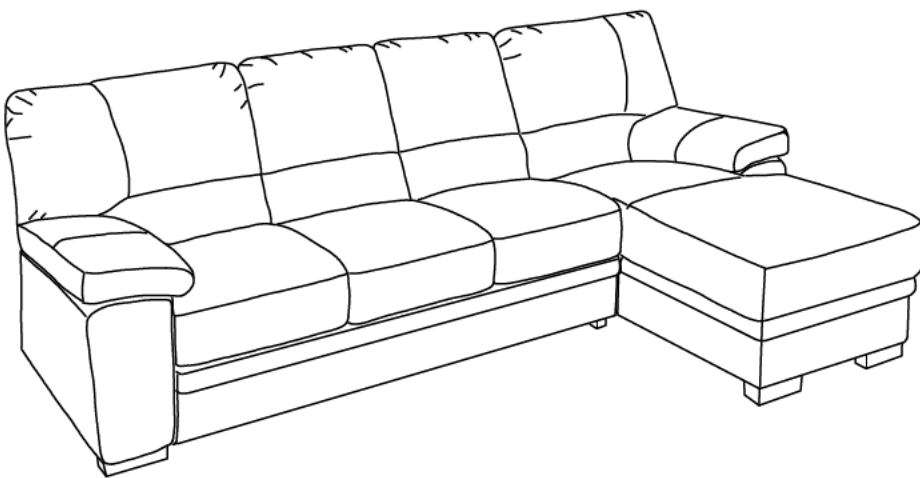


ASSEMBLY INSTRUCTIONS



TOOLS REQUIRED



Phillips
Screwdriver

(Not Included)



2 - Persons
Recommended

ASSEMBLY RATING



EASY ————— DIFFICULT

The Assembly Rating is a 5-point system showing the level of effort needed to assemble a specific product.

Thank you for your purchase!

We hope you enjoy this new addition to your home for many years to come.

Our commitment to providing quality products does not simply end when you purchase our product. We fully stand behind our products from start to finish.



CHECK BEFORE STARTING



Are you missing anything?

Double-check all parts, hardware and accessories listed on Page 6 are accounted for.



Check out our Quick Tips!

We recommend reviewing the pre-assembly handouts. Even experts need a refresher now and then!



Prep Time!

Please review the assembly instructions and all diagrams prior to assembling. Arrange parts as recommended on Page 7 and group identical hardware together to make assembling easier.

PRE ASSEMBLY INTRODUCTION

We understand building ready-to-assemble furniture can be a challenging experience for some. To help avoid confusion, we have provided some helpful tips that may speed up the process.



Teamwork

ALWAYS have at least two people to help with transporting and assembling the product to avoid potential injury and/or damage.



Suitable Location

Assembling near the area of the intended location is highly recommended.



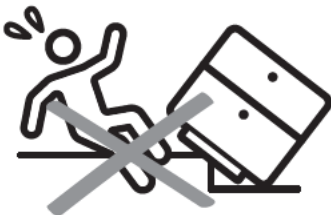
Sufficient Space

Make sure you have enough space to move around during the assembly.



Avoid Scratches

Use cardboard, blankets or a carpeted area while assembling furniture to prevent scratches.



Flat Surface

Make sure the furniture rests on a flat and level surface with each leg evenly touching the floor.

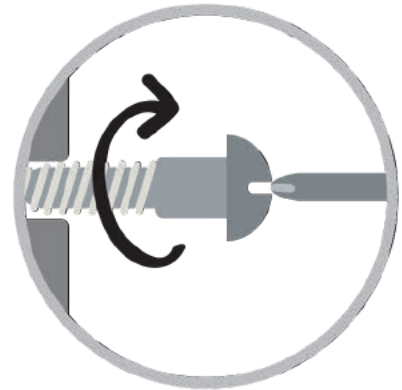
ASSEMBLY AND CARE ADVICE



**FAILURE TO FOLLOW THE GUIDELINES BELOW MAY
RESULT IN INJURY AND/OR PROPERTY DAMAGE.**



Position each part correctly
and insert screws or bolts into
their respective holes.



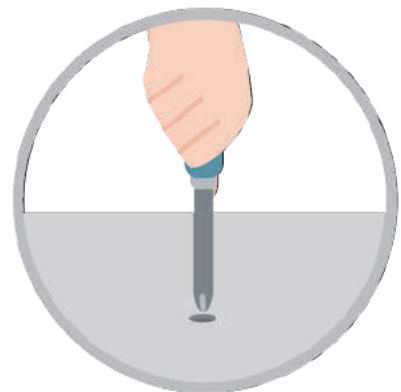
Turn clockwise to tighten and
only tighten when step is
completed or when instructed
to do so.



Use the appropriate hand tools
or power tools for assembly.
Select steps, such as tightening
screws and/or bolts, may require
hand tools to avoid causing
damage during assembly.



Save the instructions and store
any supplied tools for later
maintenance.



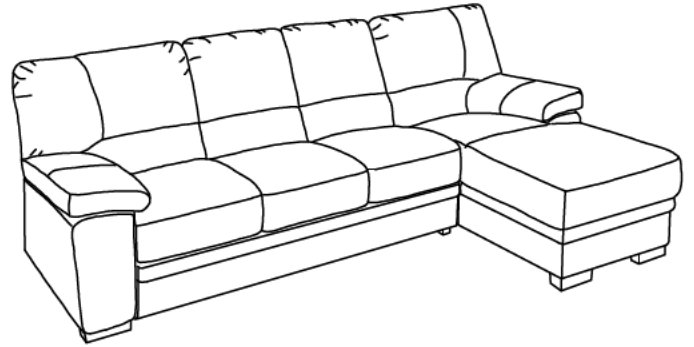
After two weeks, check and
tighten any loose hardware and
repeat again every six months
thereafter.

IT IS THE USER'S RESPONSIBILITY TO MAINTAIN THE FURNITURE. THE HARDWARE MAY LOOSEN OVER TIME AND MAY CAUSE THE FURNITURE TO BE WOBBLY AND UNABLE TO SUPPORT ITS INTENDED WEIGHT CAPACITY. THIS MAY LEAD TO COLLAPSE AND MAY CAUSE SERIOUS INJURY.

SOFA



- Please keep instructions for future reference.
- Check the quantity and irregularity of parts and hardware before you start.



PARTS

#1 1pc



Left Arm Cushion

#2 1pc



Right Arm Cushion

#3 1pc



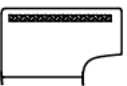
Left Backrest

#4 1pc



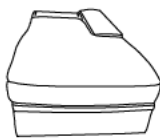
Left Seat

#5 1pc



Right Backrest

#6 1pc



Right Seat

#7 1pc



Left Back Cushion

#8 2pcs



Back Cushion

#9 1pc



Right Back Cushion

HARDWARE

#A 3pcs



Front Leg

#B 2pcs



Rear Leg

#C 8pcs



Screw

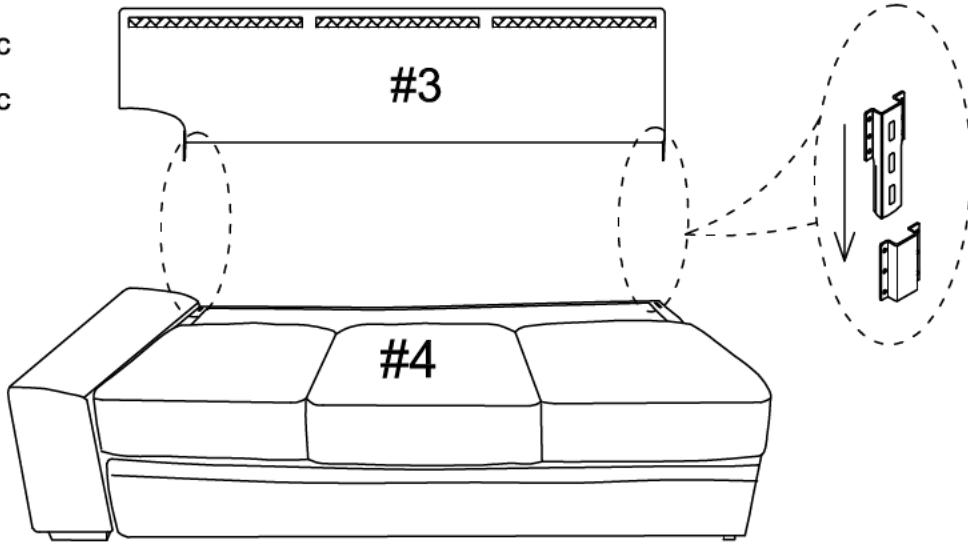
ASSEMBLY INSTRUCTIONS

Align the brackets along the bottom of the left backrest(#3) to the brackets along the top of the left seat(#4).Insert and slide brackets until they are firmly secured.

1

Part #3 x1pc

Part #4 x1pc

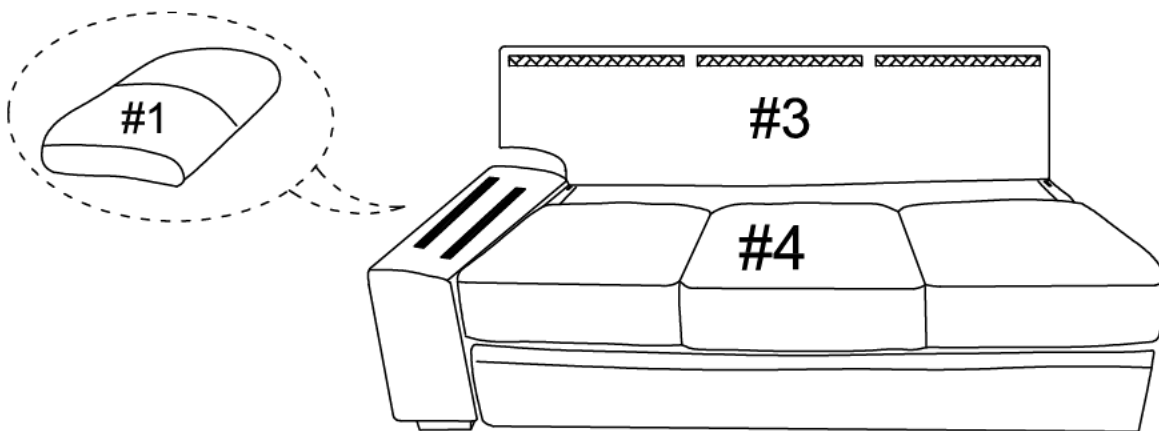


Note:Left and right is determined by facing the front on its upright position.

2

Part #1 x1pc

Place the left arm Cushion (#1) onto the left side of the left seat(#4).



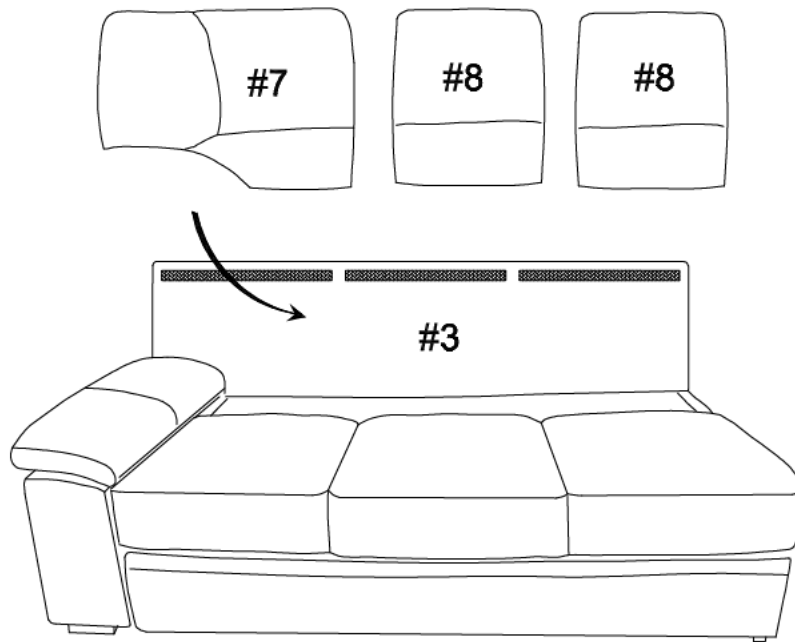
ASSEMBLY INSTRUCTIONS

Place the left back cushion (#7), and back cushion (#8).

3

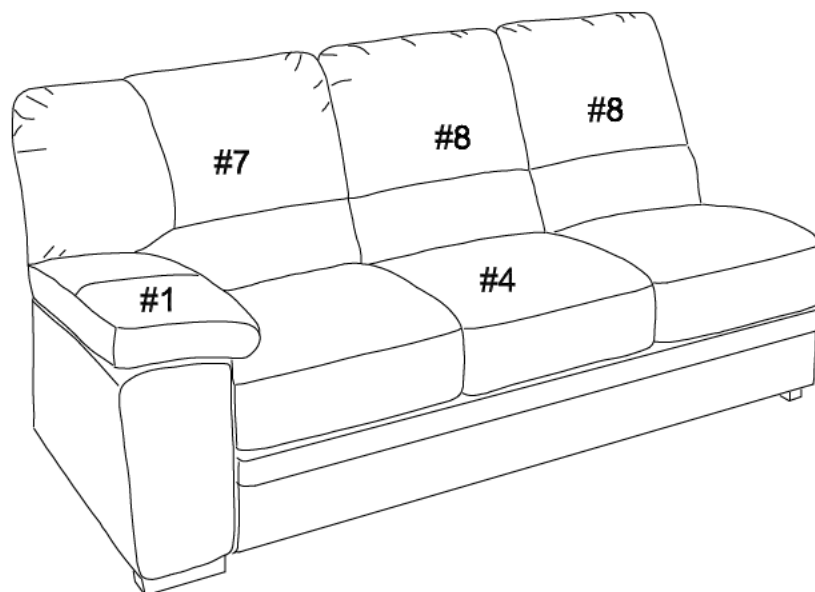
Part #7 x1pc

Part #8 x2pcs



4

LEFT SIDE COMPLETED

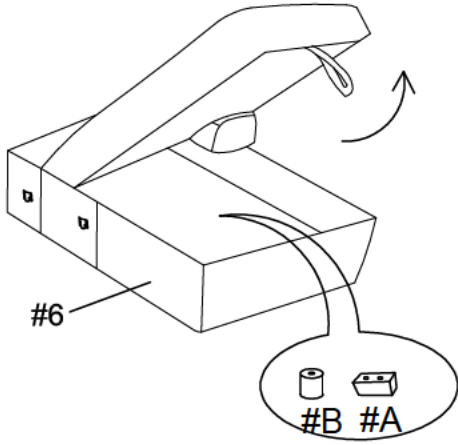


ASSEMBLY INSTRUCTIONS

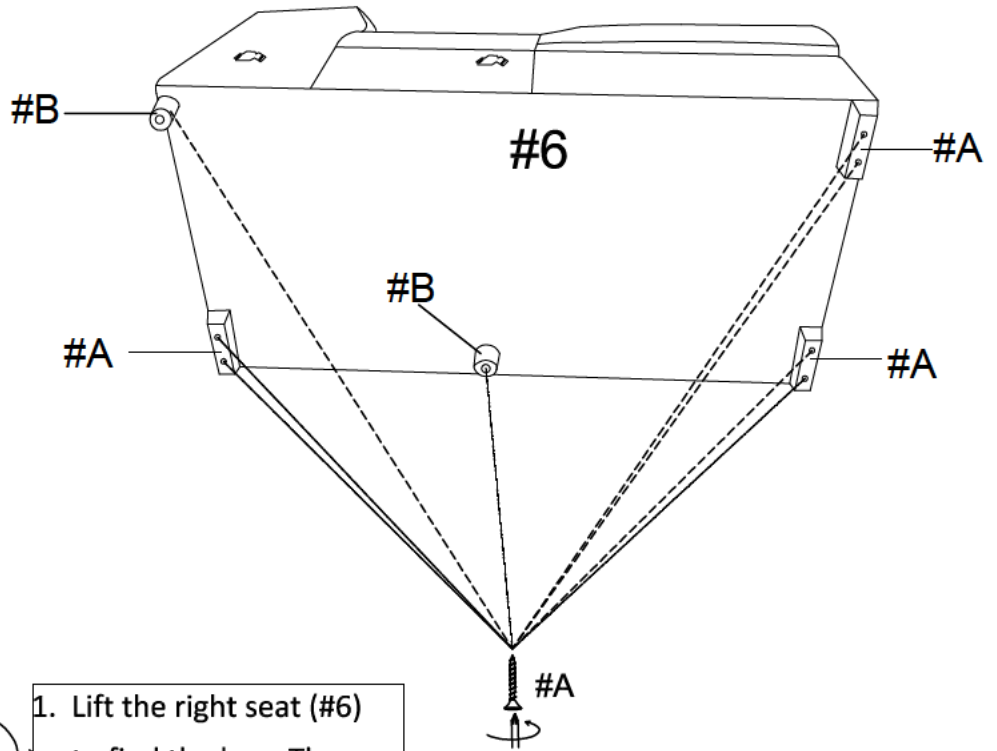
2. Align the front legs (#A) to the two front corners and back right corner. Insert 2 screws (#C) into each leg and secure using a Phillips screwdriver.

5

- Part #6 x1pc
- Hardware #A x3pcs
- Hardware #B x2pcs
- Hardware #C x8pcs



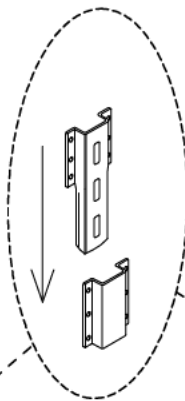
1. Lift the right seat (#6) to find the legs. Then carefully place the right seat (#6) onto its side to install the legs.



3. Align the rear legs (#B) to the left back corner of the right seat (#6). Insert 1 screw (#C) into the leg and secure using a Phillips screwdriver.

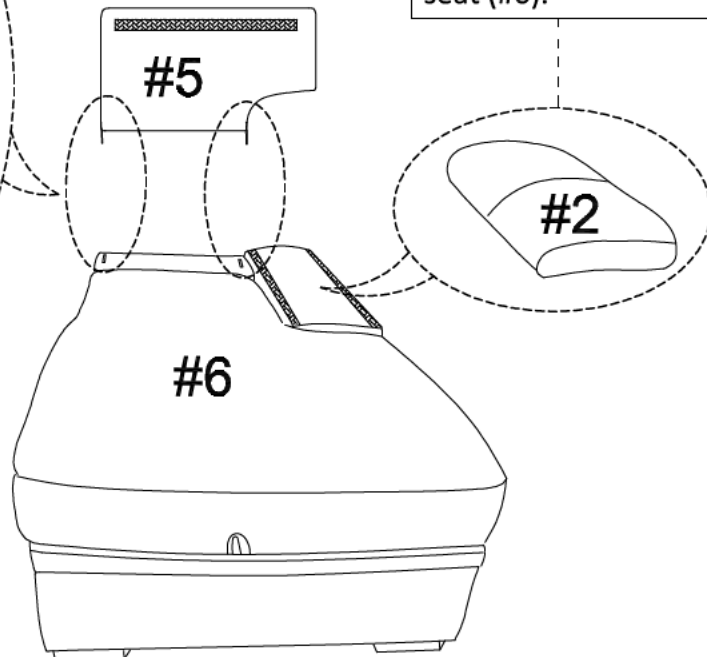
6

- Part #5 x1pc
- Part #6 x1pc
- Part #2 x1pc



Align the brackets along the bottom of the right backrest (#5) to the brackets along the top of the right seat (#6). Insert and slide brackets until they are firmly secured.

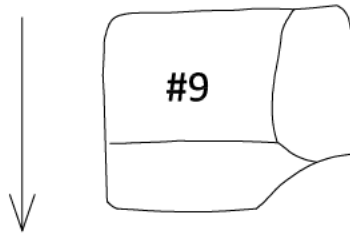
Place the right arm cushion (#2) onto the right side of the right seat (#6).



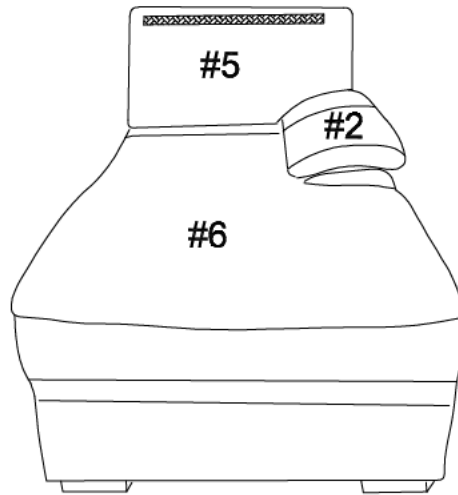
ASSEMBLY INSTRUCTIONS

7

Part #9 x1pc

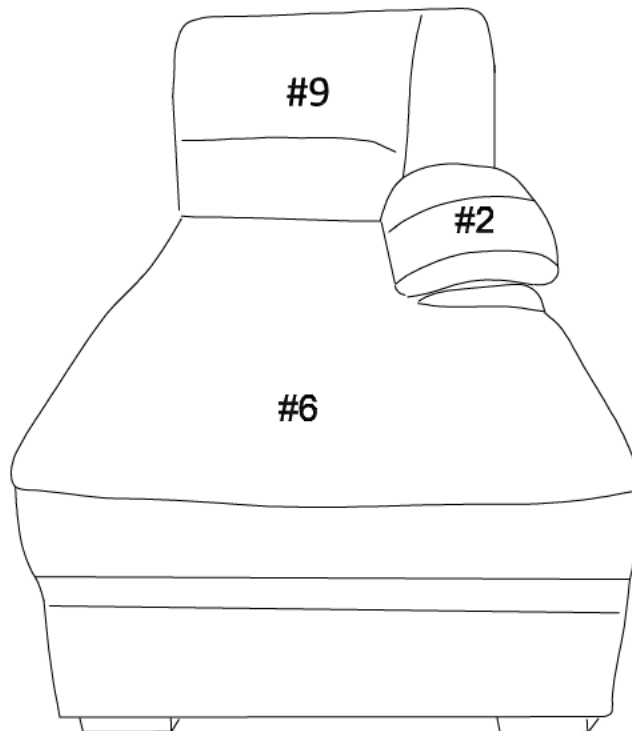


Place the right back cushion (#9).



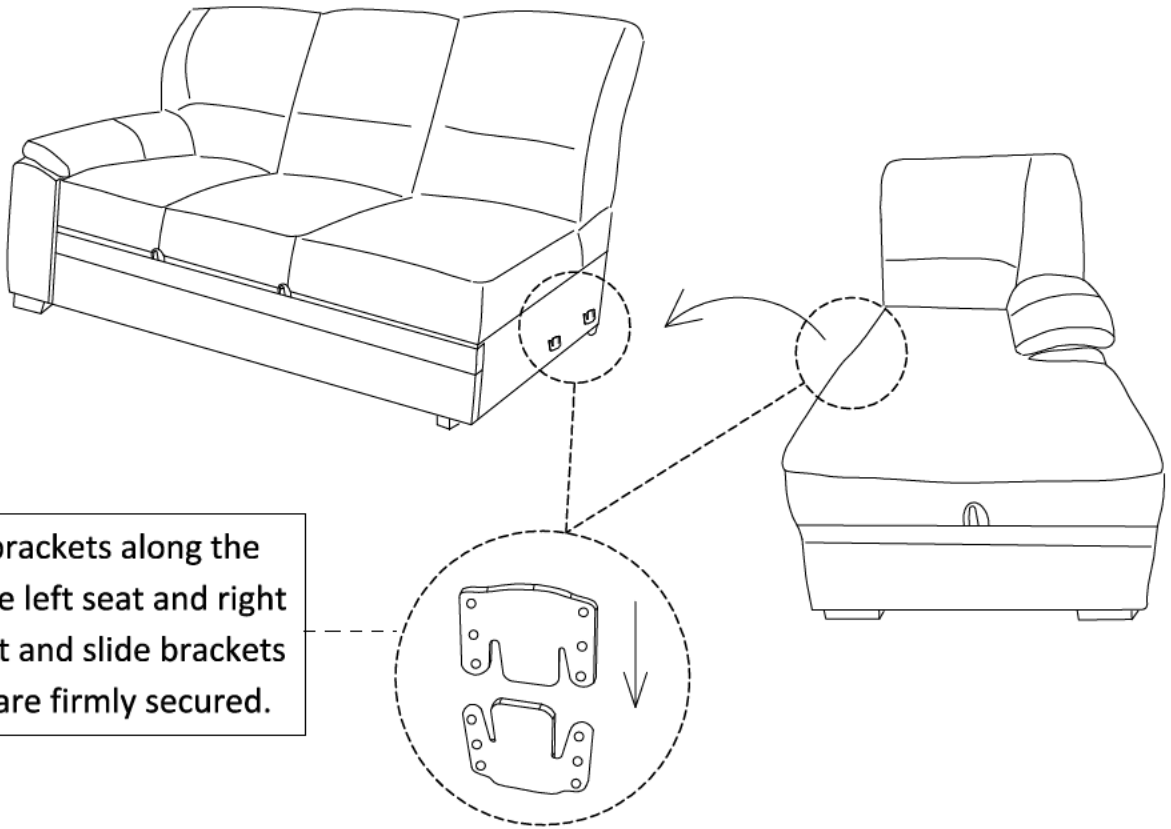
8

RIGHT SIDE COMPLETED



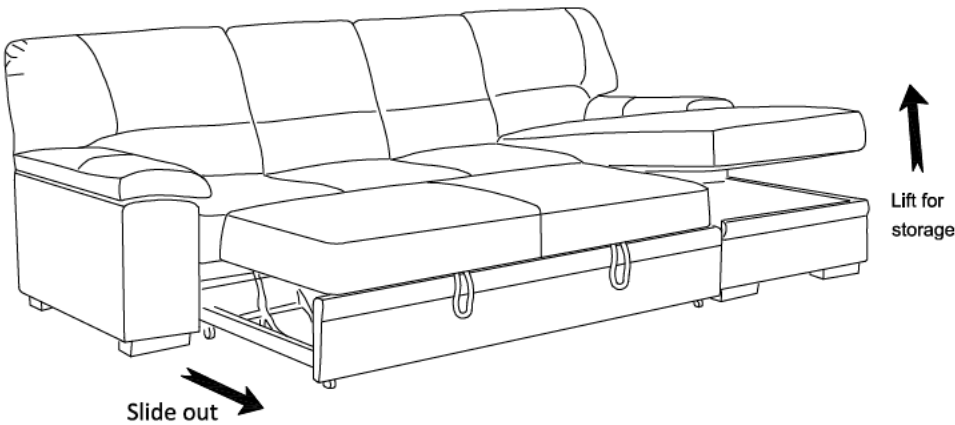
ASSEMBLY INSTRUCTIONS

9



Align the brackets along the sides of the left seat and right seat. Insert and slide brackets until they are firmly secured.

10



**ASSEMBLY
COMPLETED**



Please ensure the furniture rests on an even and flat surface. If the product wobbles or feels loose, double-check all bolts and/or screws are properly tightened and secured.



Keep this handy!

Please retain this instruction manual and any order-related information for future reference.